

US00D389517S

# United States Patent [19]

[11] Patent Number: **Des. 389,517**

Frank

[45] Date of Patent: **\*\*Jan. 20, 1998**

[54] **CHALK HOLDER**

2,680,296	6/1954	Cronberger	.....	D19/36 X
3,628,252	12/1971	Muller et al.	.....	D19/36 X
3,750,292	8/1973	Dodge	.....	33/41.4
3,762,054	10/1973	Ballard	.....	33/41.4

[76] Inventor: **Lisa Deborah Frank**, 65 N. Camino Espaniol, Tucson, Ariz. 85719

[\*\*] Term: **14 Years**

*Primary Examiner*—Martie Thompson  
*Attorney, Agent, or Firm*—Curtis L. Harrington

[21] Appl. No.: **66,443**

[57] **CLAIM**

[22] Filed: **Feb. 11, 1997**

The ornamental design for a chalk holder, as shown and described.

[51] LOC (6) Cl. .... **19-06**

[52] U.S. Cl. .... **D19/36; D19/85; D19/35**

[58] Field of Search ..... **D19/35, 36, 41-51, D19/53-58, 81-85, 97; D4/138; 33/663, 41.1, 41.4; 24/555; 401/35, 52, 195**

**DESCRIPTION**

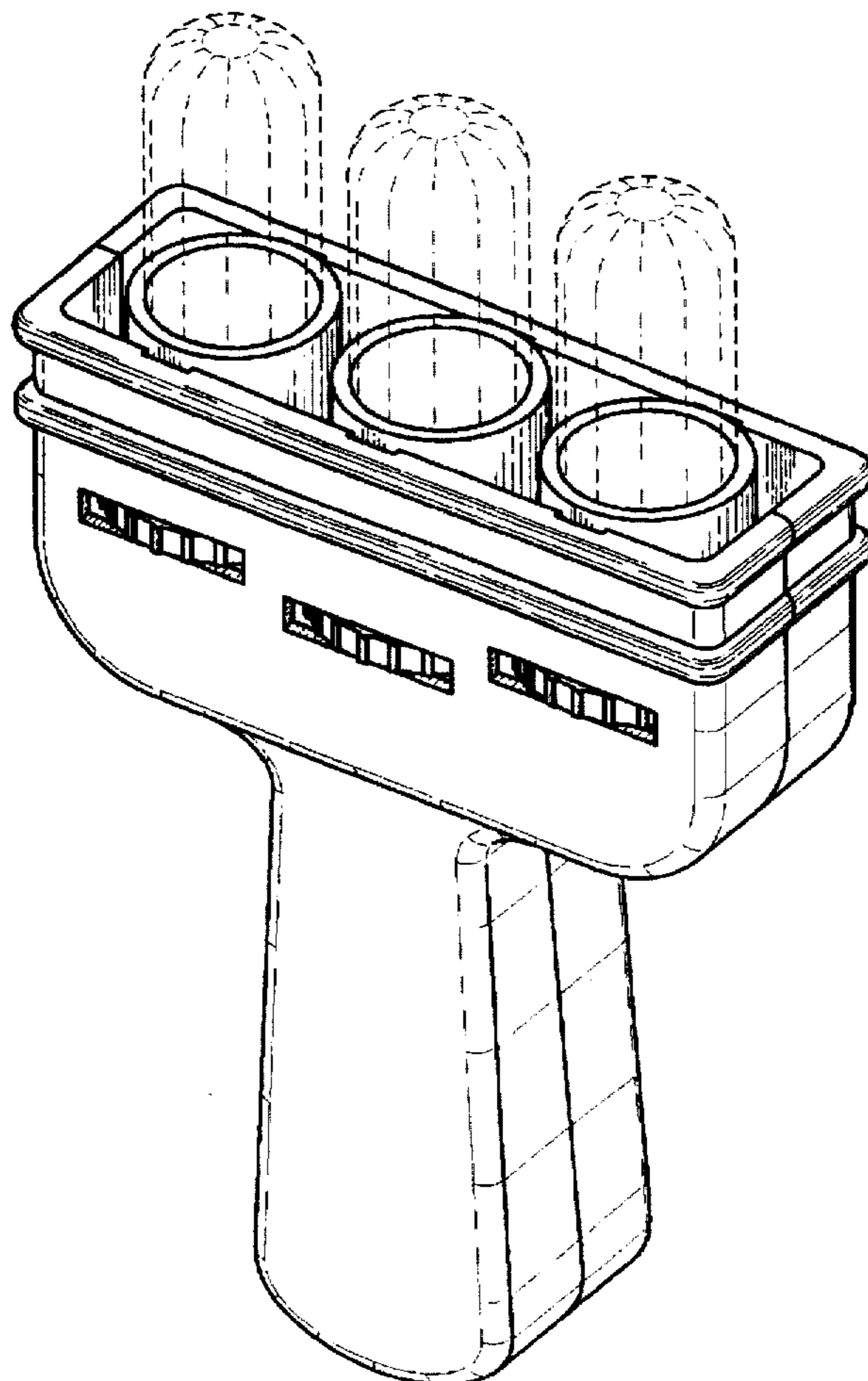
FIG. 1 is a front perspective view of a chalk holder showing my new design, the three pieces of chalk depicted by means of broken lines being shown for illustrative purposes only and forming no part of the claimed design; FIG. 2 is a front view of the chalk holder of FIG. 1; FIG. 3 is a right side view of the chalk holder of FIG. 1 and which is symmetrical to a left side view thereof; FIG. 4 is a rear view of the chalk holder of FIG. 1; FIG. 5 is a top view of the chalk holder of FIG. 1; and, FIG. 6 is a bottom view of the chalk holder of FIG. 1.

[56] **References Cited**

**U.S. PATENT DOCUMENTS**

D. 273,636	5/1984	Chu	.....	D4/138
D. 278,639	4/1985	Cantonis	.....	D19/97 X
D. 368,737	4/1996	Dunn et al.	.....	D19/36
883,009	3/1908	Gee	.....	401/35 X
976,687	11/1910	Pickwick, Jr.	.....	401/35 X
1,093,606	4/1914	Cooley	.....	33/41.4
2,388,361	11/1945	Lynex	.....	33/41.1

**1 Claim, 5 Drawing Sheets**



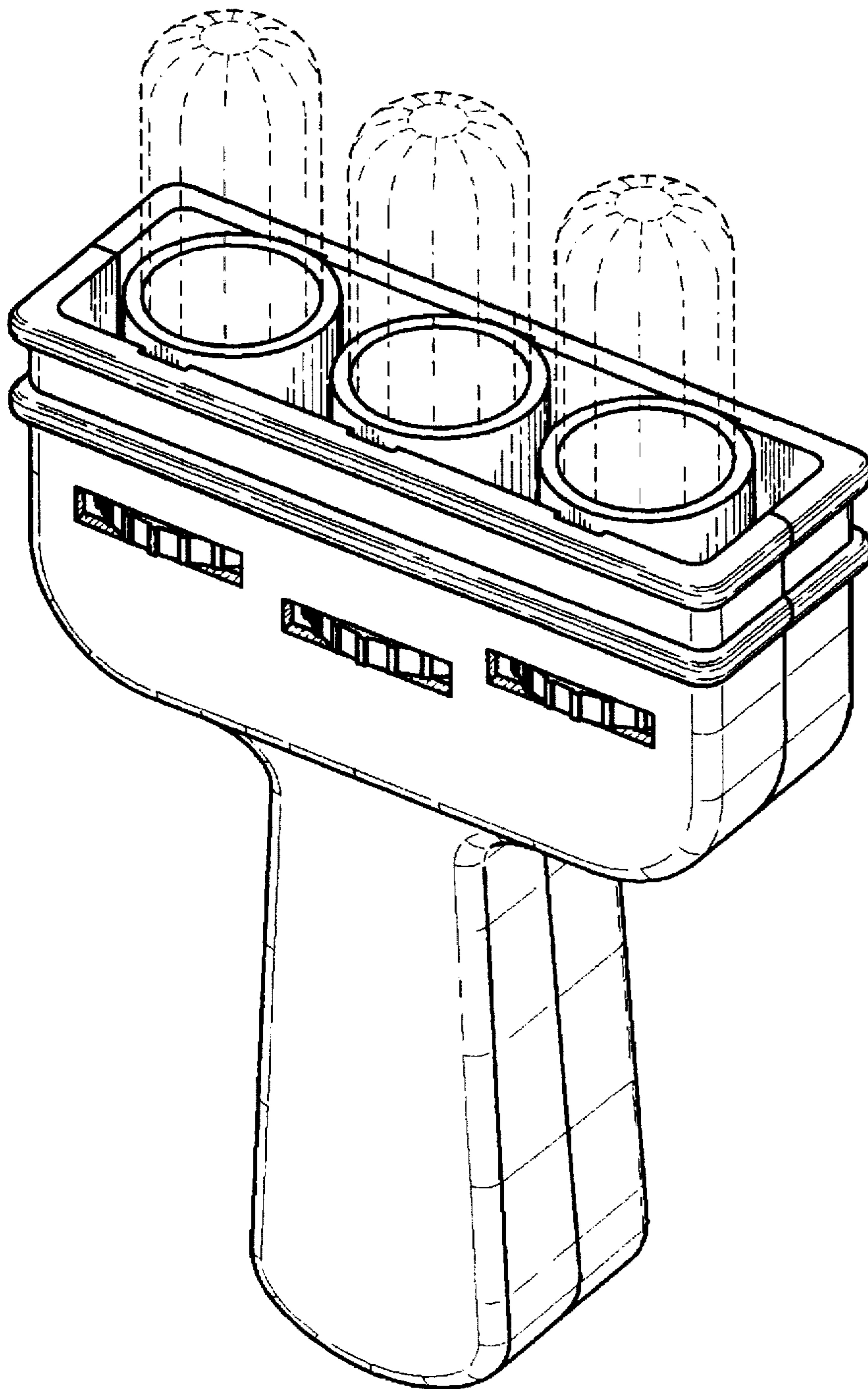
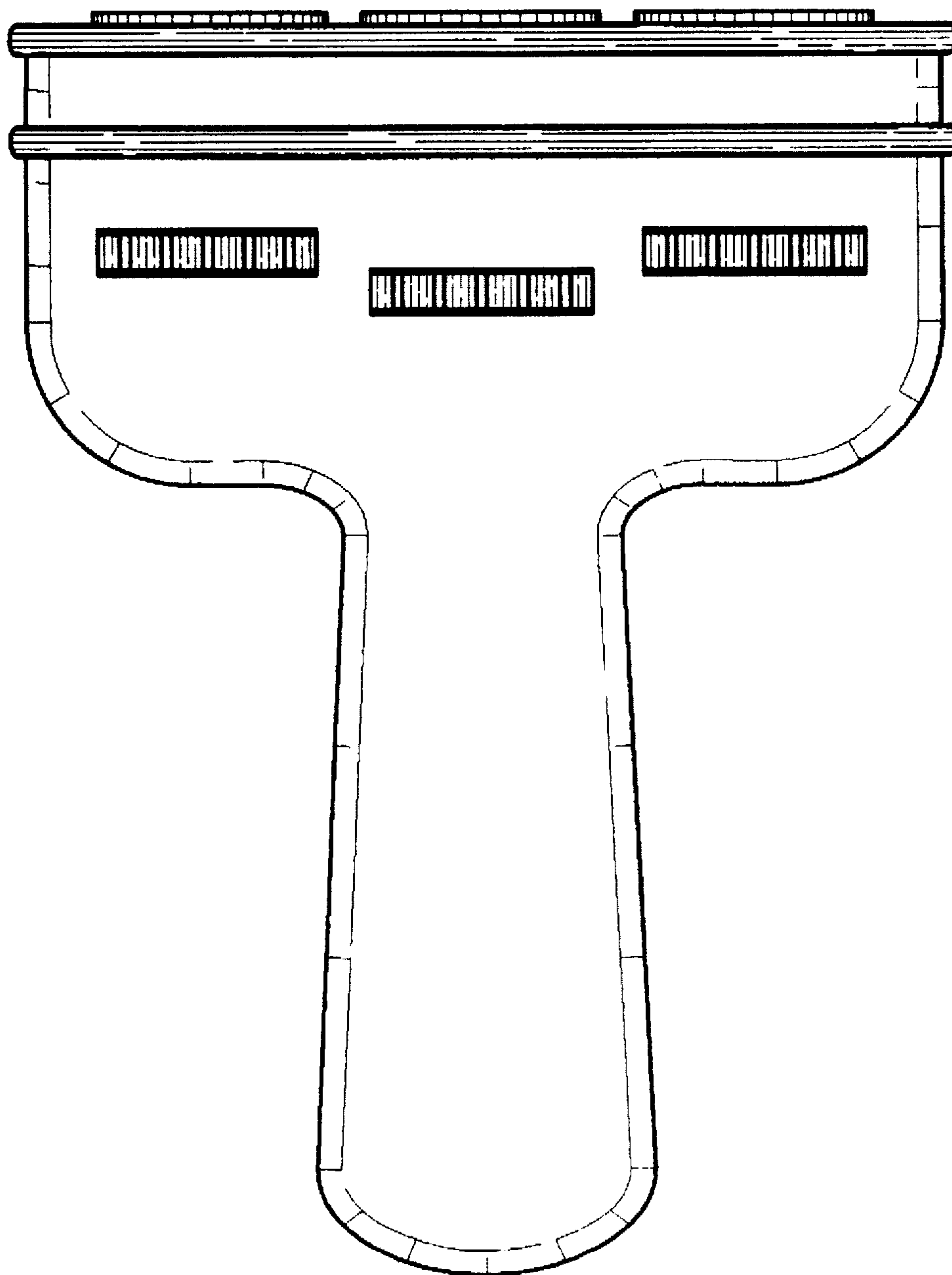
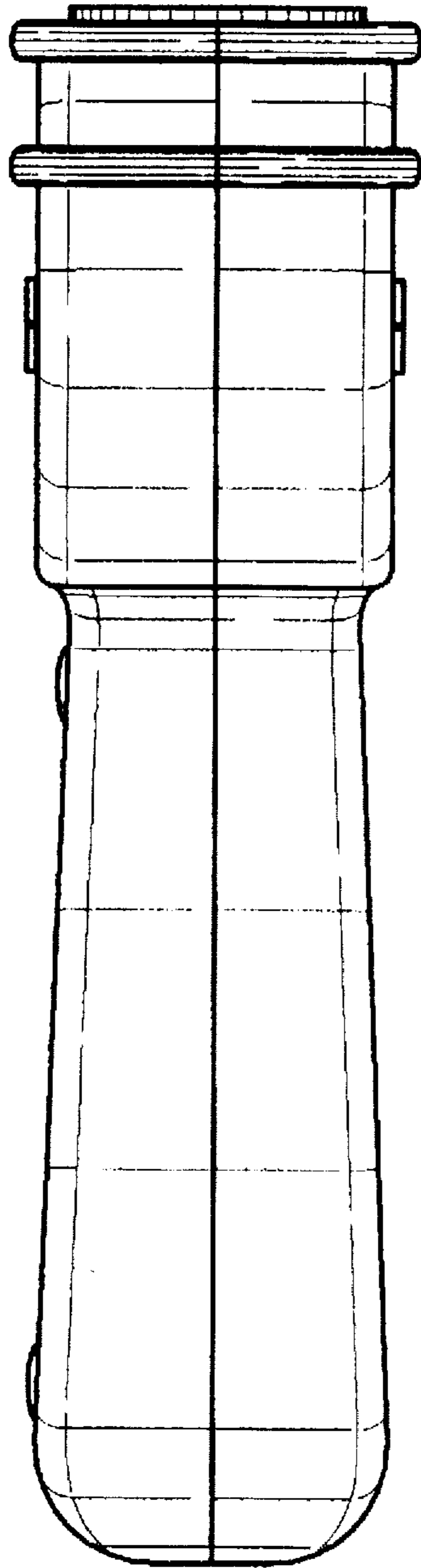


Fig. 1



**Fig. 2**



**Fig. 3**

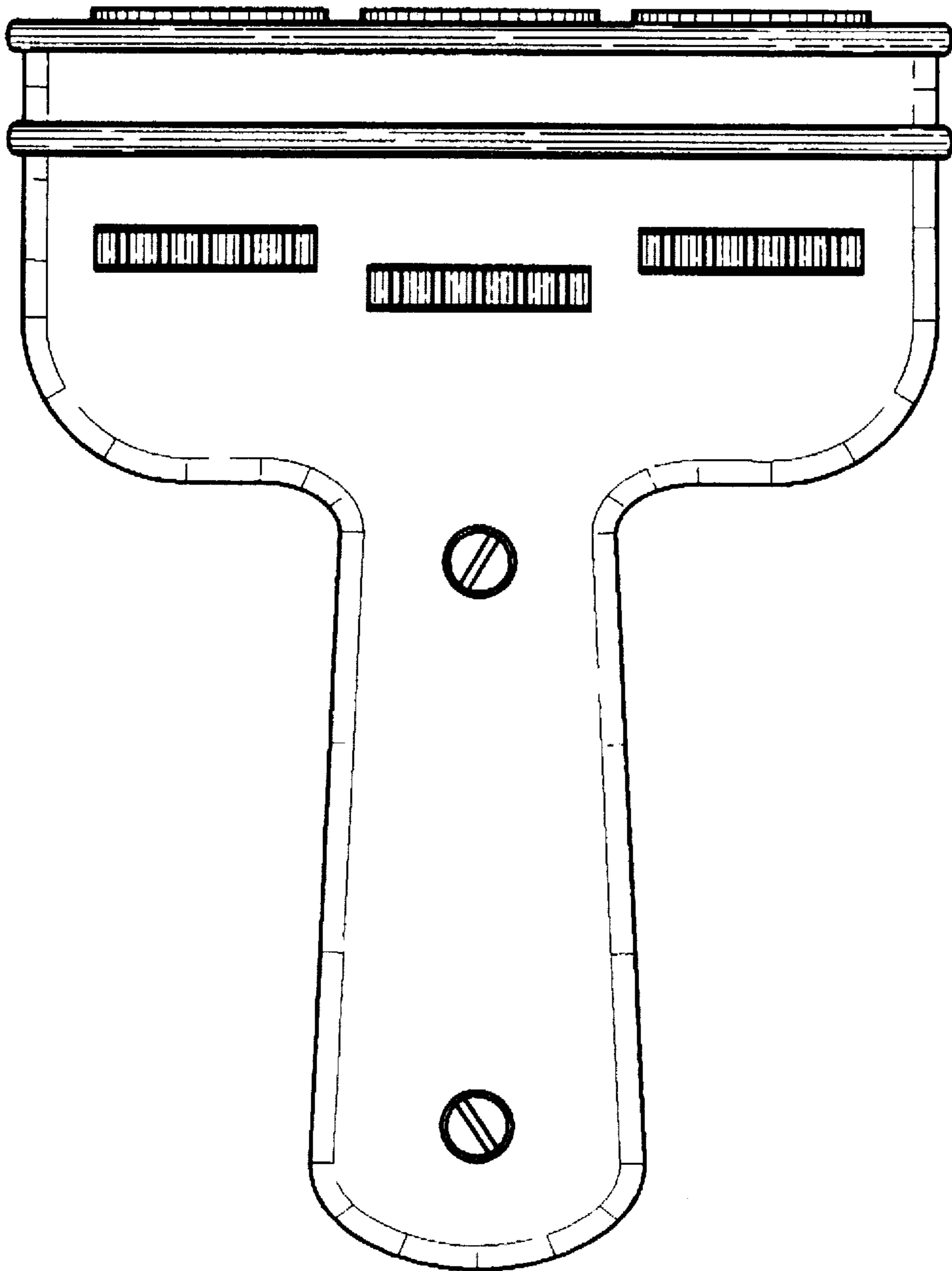
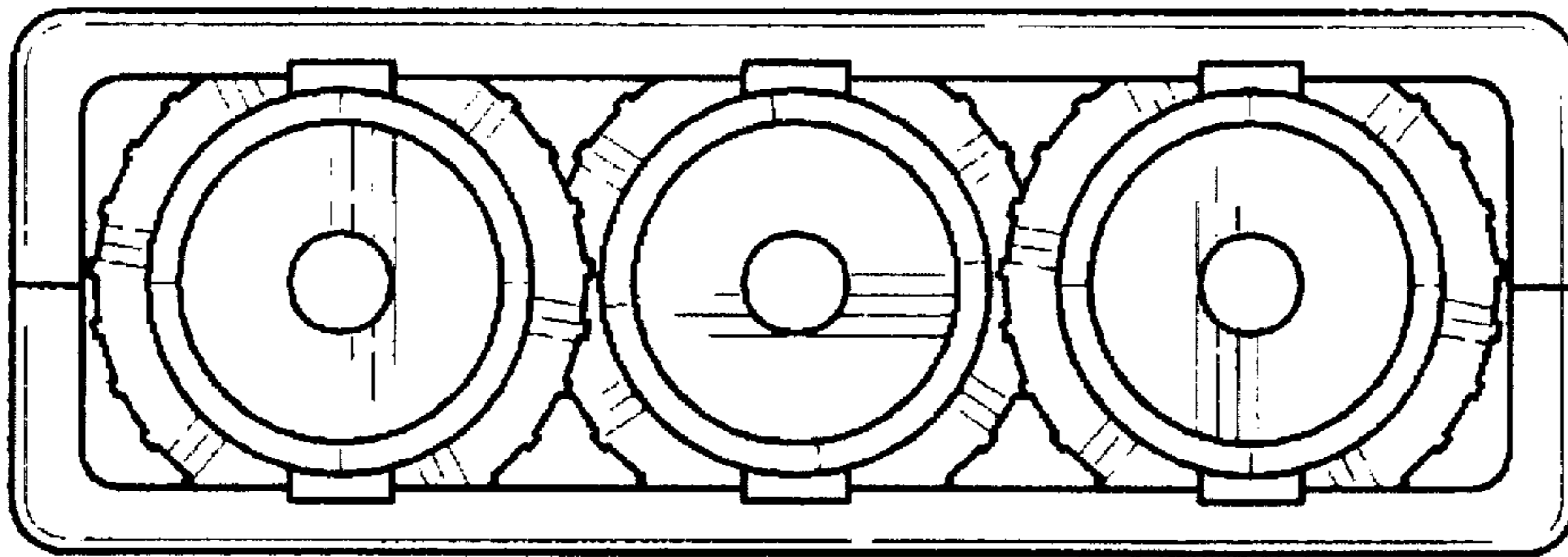
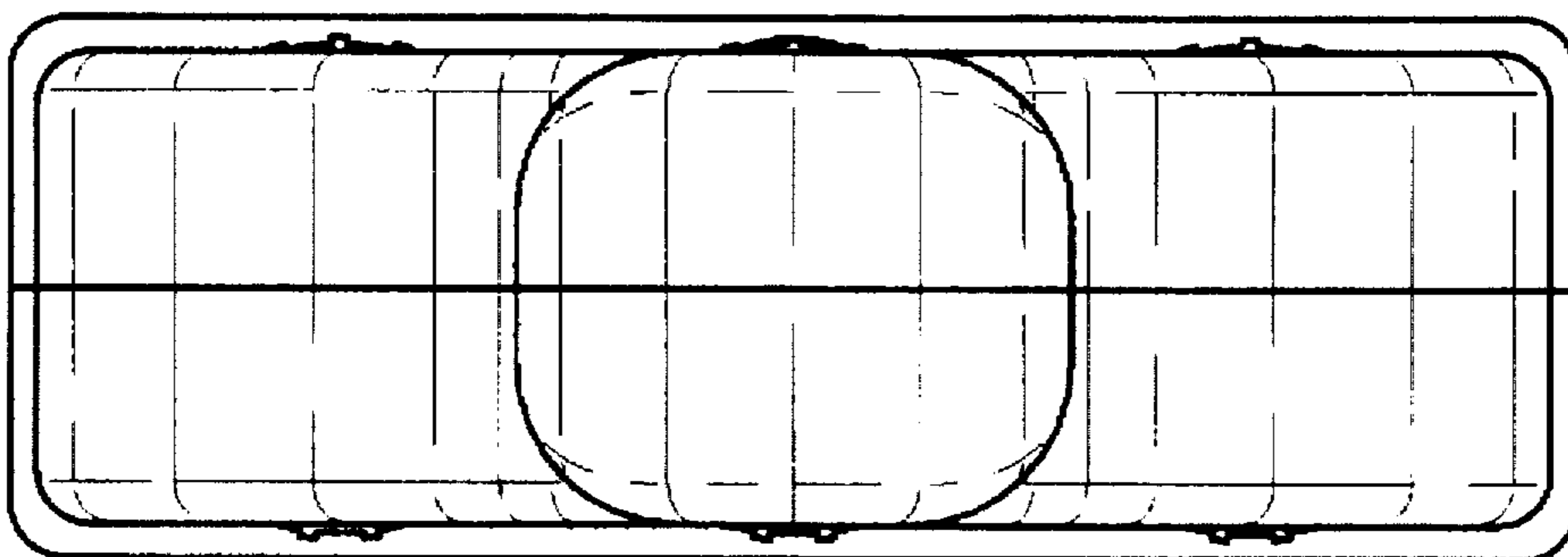


Fig. 4



**Fig. 5**



**Fig. 6**