



US00D389515S

United States Patent [19]

Van Swieten

[11] Patent Number: **Des. 389,515**

[45] Date of Patent: ****Jan. 20, 1998**

[54] **MARKER**

[75] Inventor: **Roy Edwin Van Swieten**, Huesden, Netherlands

[73] Assignee: **Henkel/Raycap Produktie B.V.**, Ravenstein, Netherlands

[**] Term: **14 Years**

[21] Appl. No.: **45,888**

[22] Filed: **Nov. 1, 1995**

[30] **Foreign Application Priority Data**

May 3, 1995 [XH] Hague Agreement DM/032931

[51] LOC (6) Cl. **19-06**

[52] U.S. Cl. **D19/36; D19/49; D19/43; D19/56**

[58] Field of Search **D19/35, 36, 41-51, D19/53-58, 81-85; 401/29-34, 196, 198, 202**

[56] **References Cited**

U.S. PATENT DOCUMENTS

D. 286,163	10/1986	Shintani	D19/49 X
D. 312,658	12/1990	Sumino	D19/36
D. 329,253	9/1992	Sekiguchi	D19/43
D. 329,823	9/1992	Francisco	D19/36 X
D. 340,476	10/1993	Hikomori	D19/51
D. 340,947	11/1993	Tu	D19/43

Primary Examiner—Martie Thompson
Attorney, Agent, or Firm—Hill, Steadman & Simpson

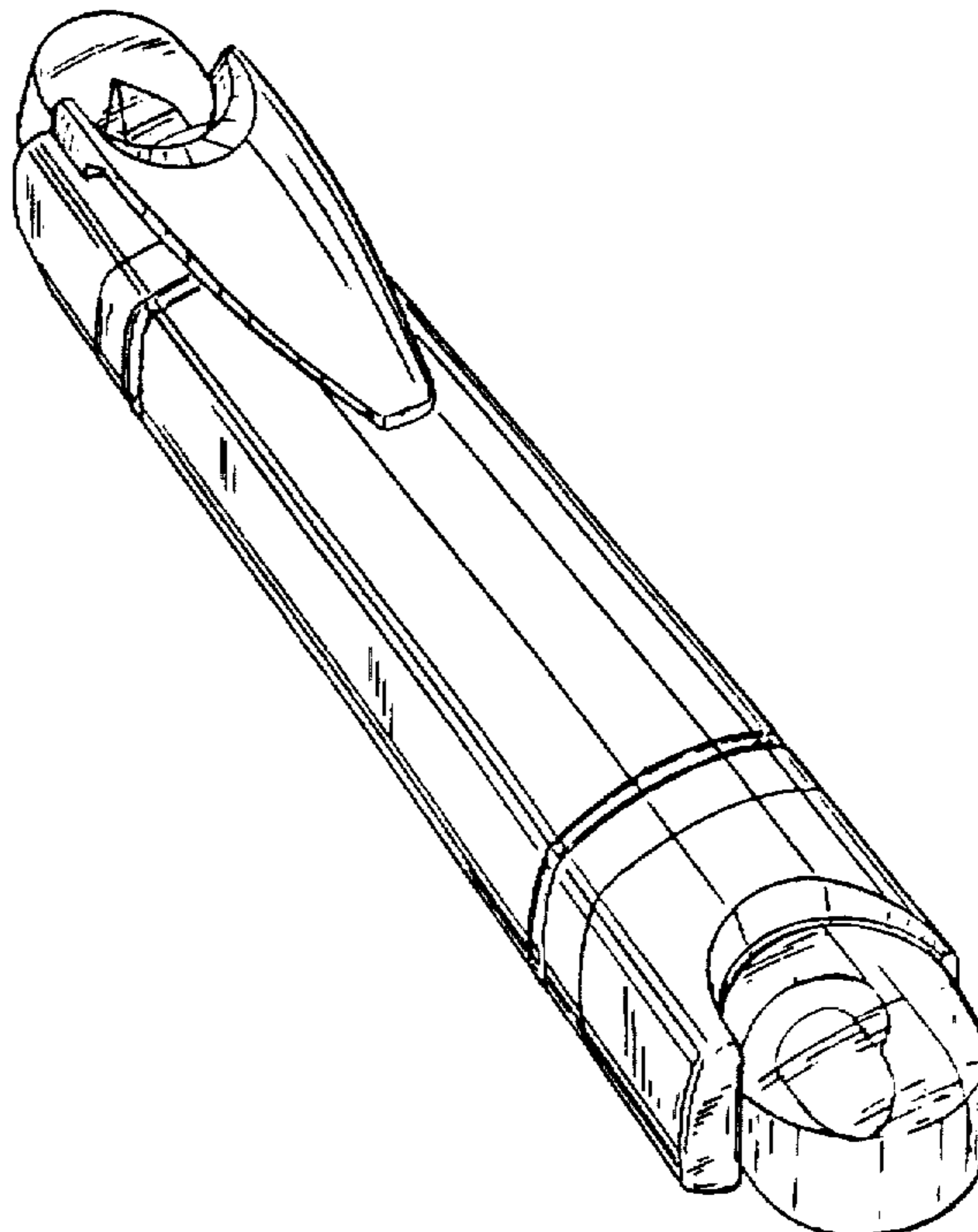
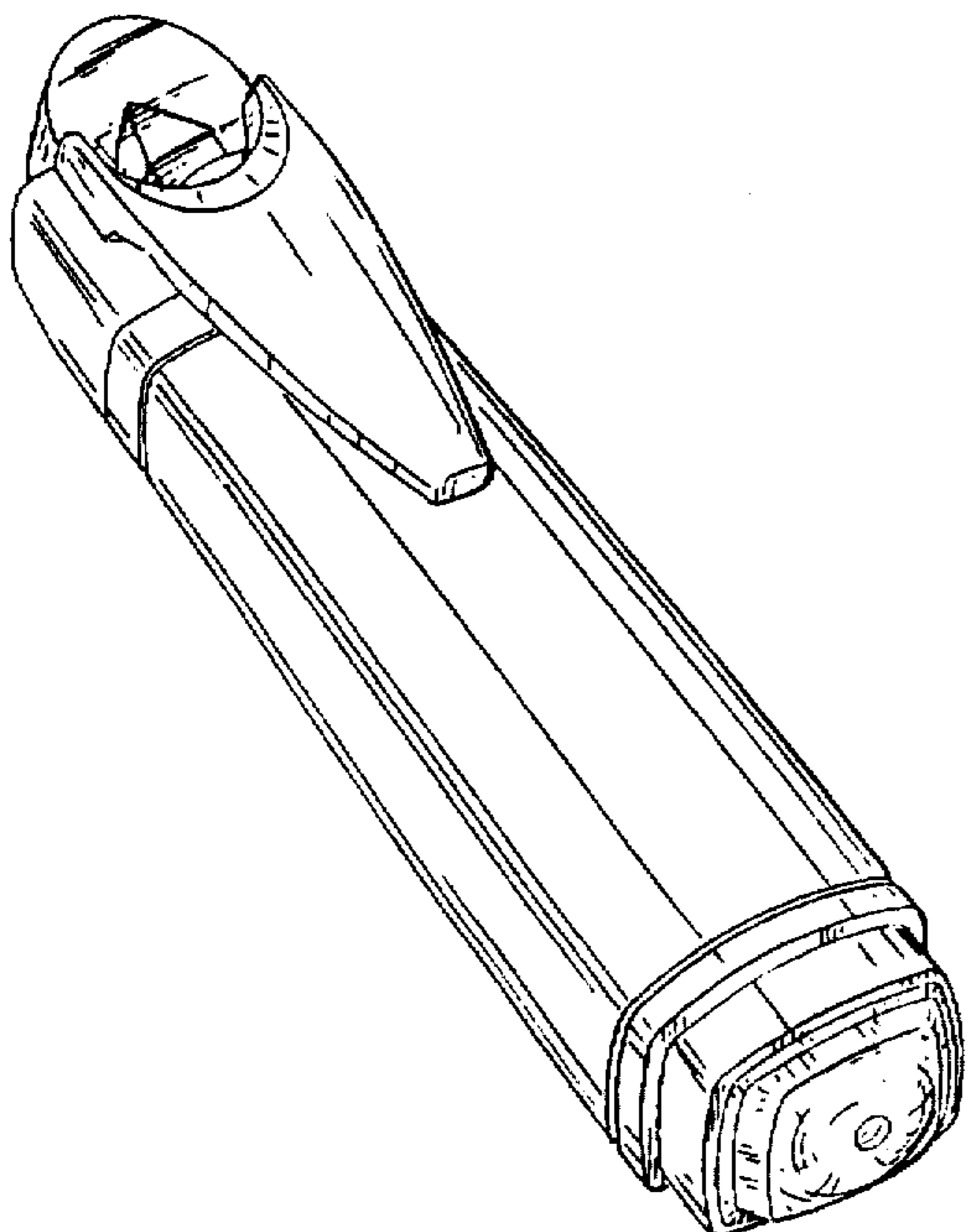
[57] **CLAIM**

The ornamental design for a marker, as shown and described.

DESCRIPTION

FIG. 1 is a perspective view of a marker showing a first embodiment of my new design;
 FIG. 2 is a rear elevational view;
 FIG. 3 is a left side elevational view thereof, the right side being a mirror image thereof;
 FIG. 4 is a front elevational view thereof;
 FIG. 5 is a top plan view of the marker of FIG. 1;
 FIG. 6 is a bottom plan view of the marker of FIG. 1;
 FIG. 7 is a longitudinal cross sectional view of the marker of FIG. 1;
 FIG. 8 is a perspective view of a marker showing a second embodiment of my new design;
 FIG. 9 is a rear elevational view of FIG. 8;
 FIG. 10 is a left side elevational view of FIG. 8, the right side being a mirror image thereof;
 FIG. 11 is a front elevational view thereof;
 FIG. 12 is a top plan view of the marker of FIG. 8;
 FIG. 13 is a bottom plan view of the marker of FIG. 8; and,
 FIG. 14 is a longitudinal cross sectional view of the marker of FIG. 8.

1 Claim, 4 Drawing Sheets



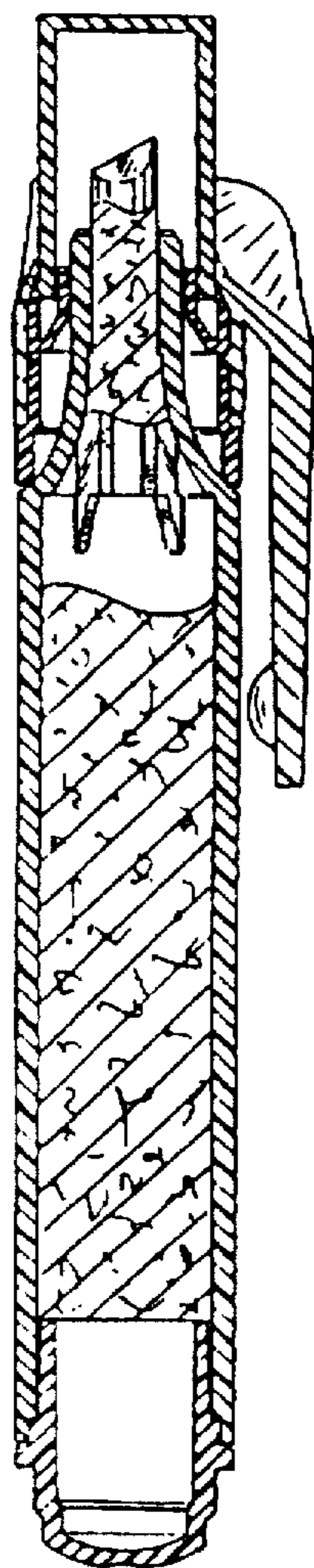


FIG. 7

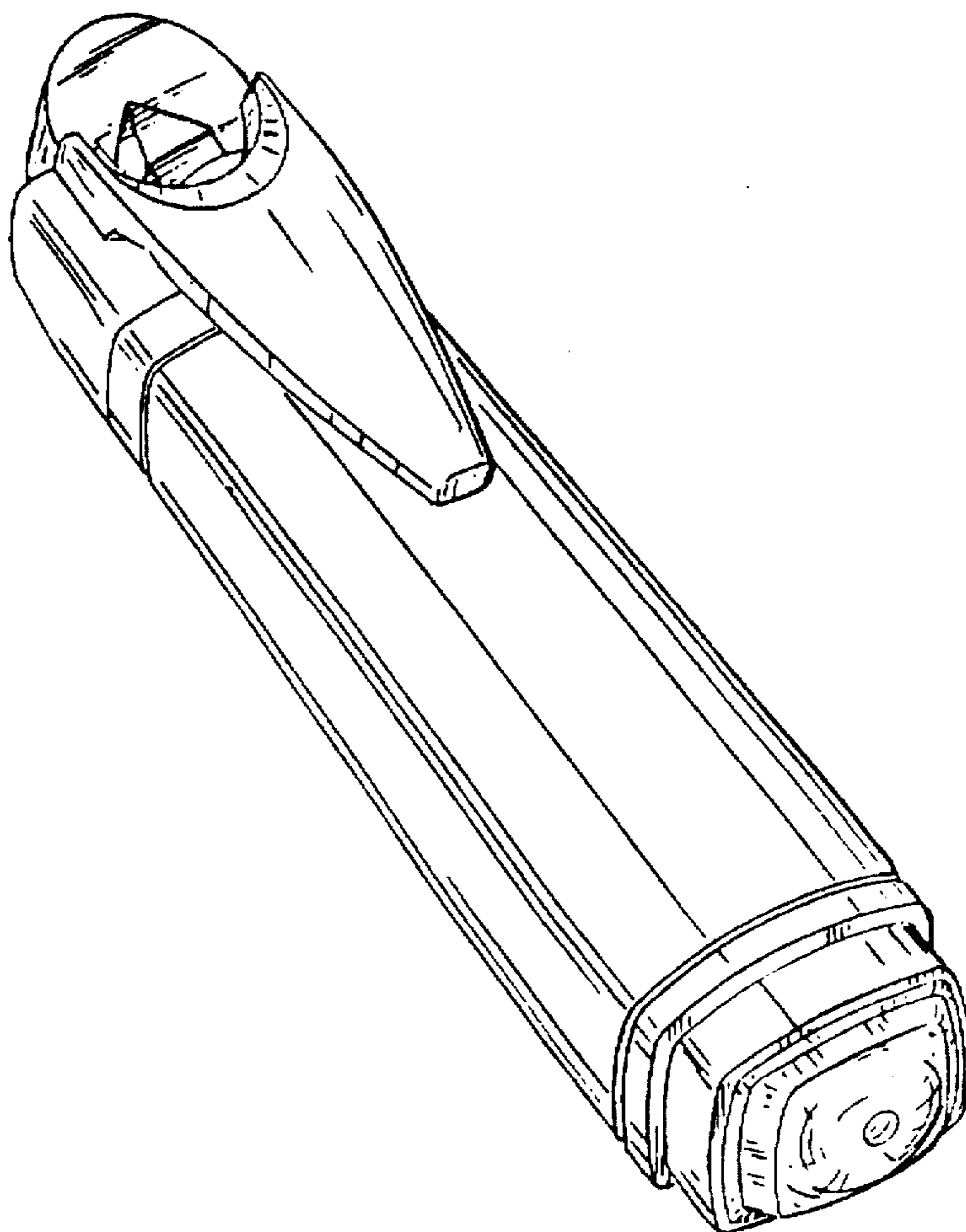


FIG. 1

FIG. 2

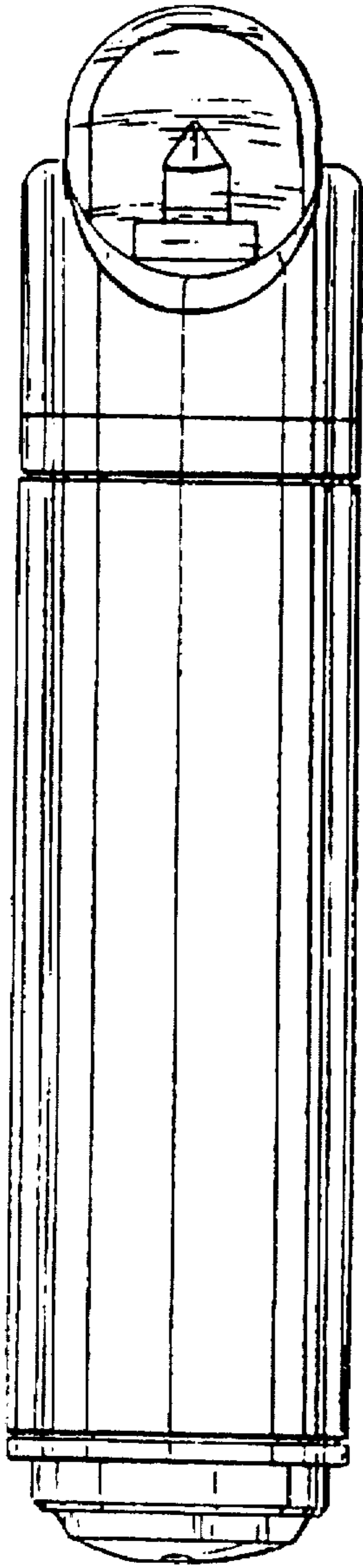


FIG. 3

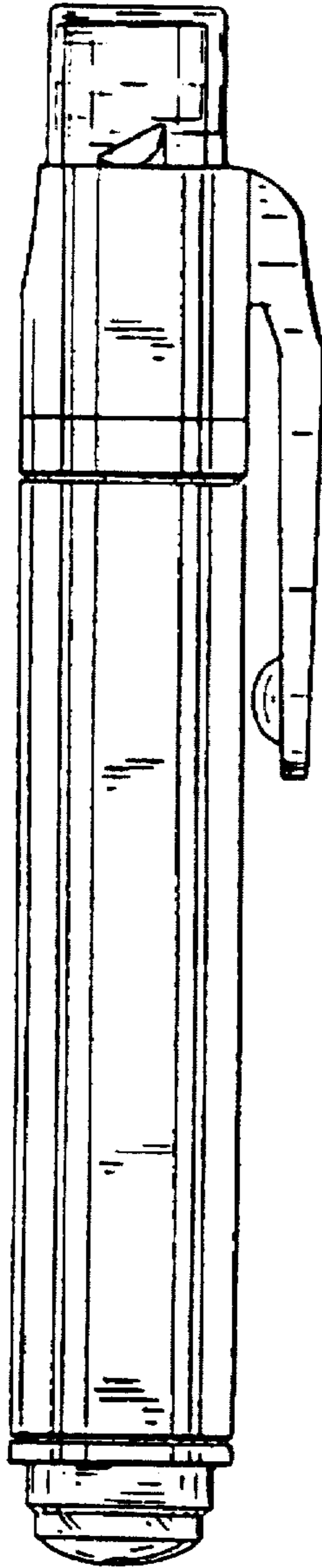


FIG. 4

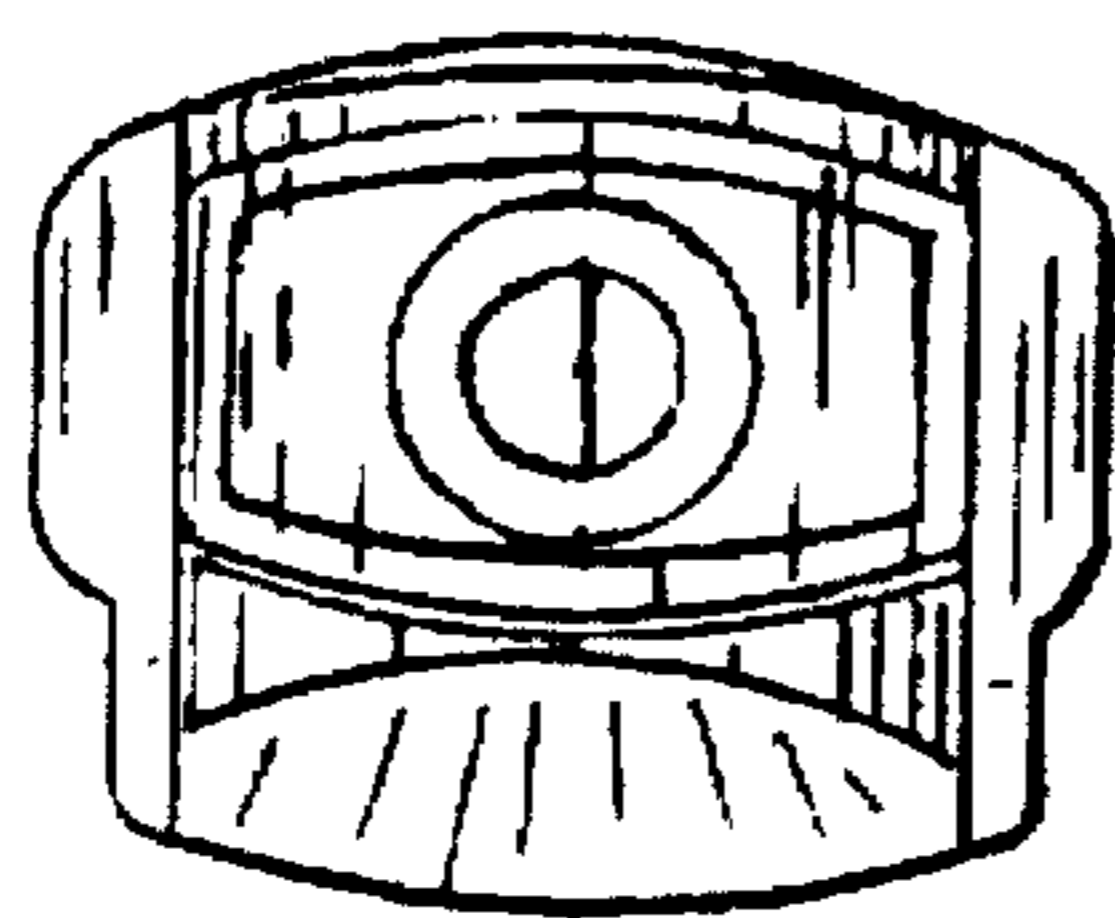
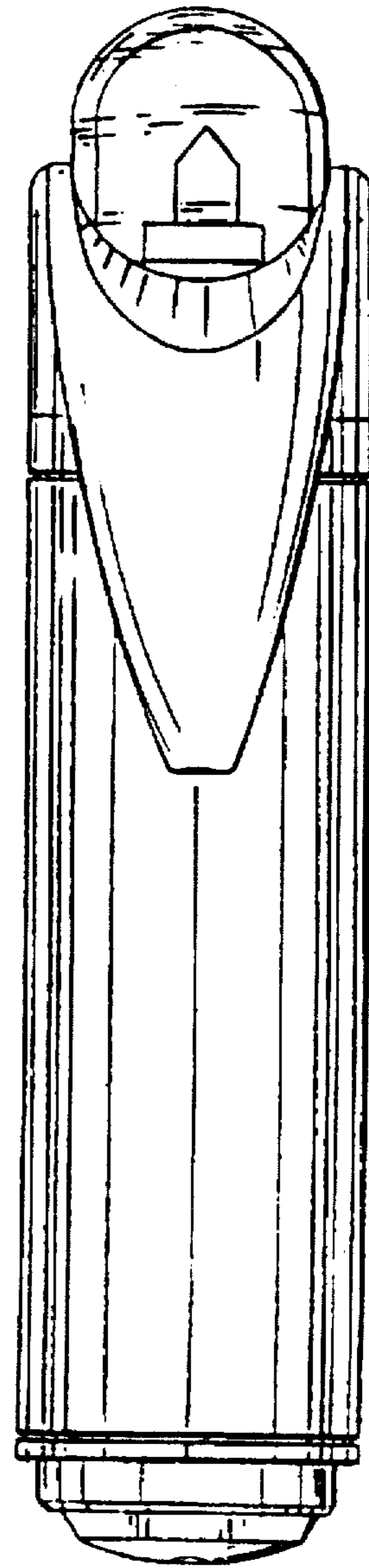


FIG. 5

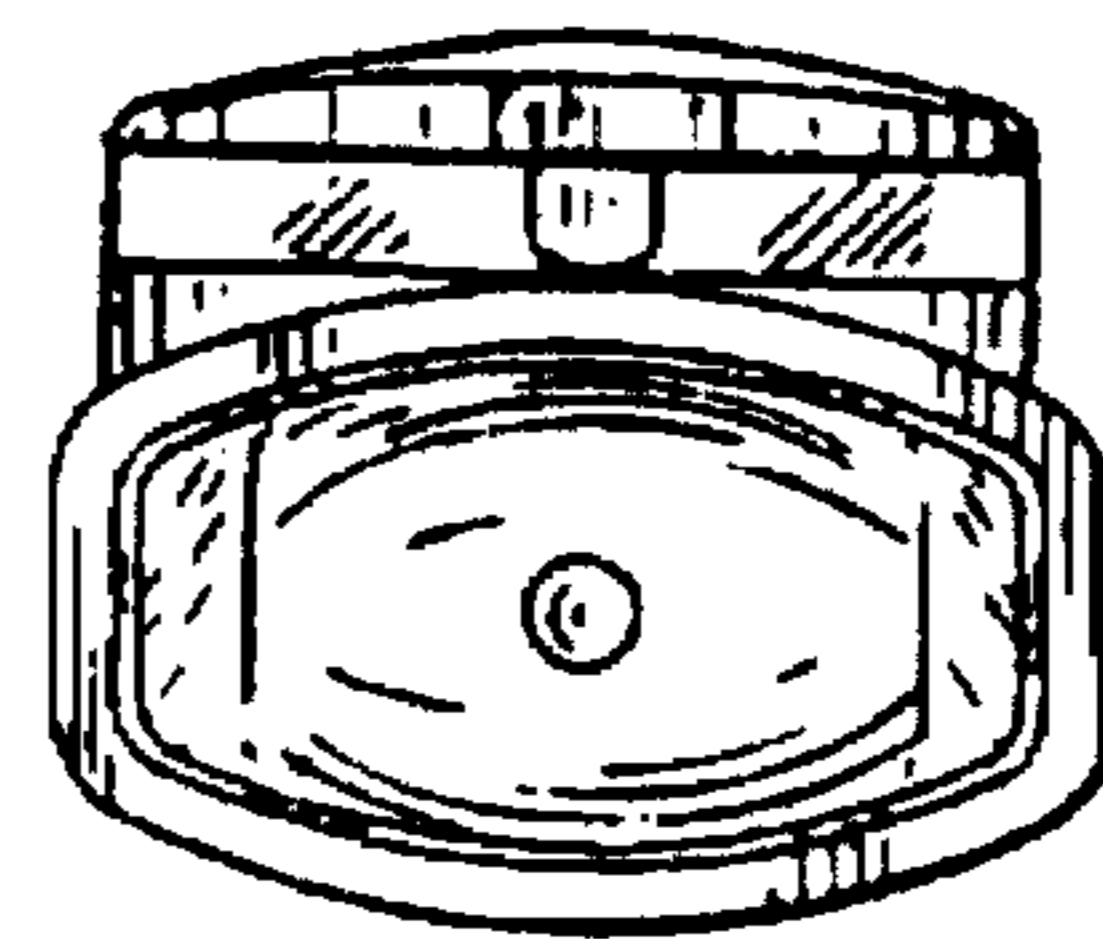


FIG. 6

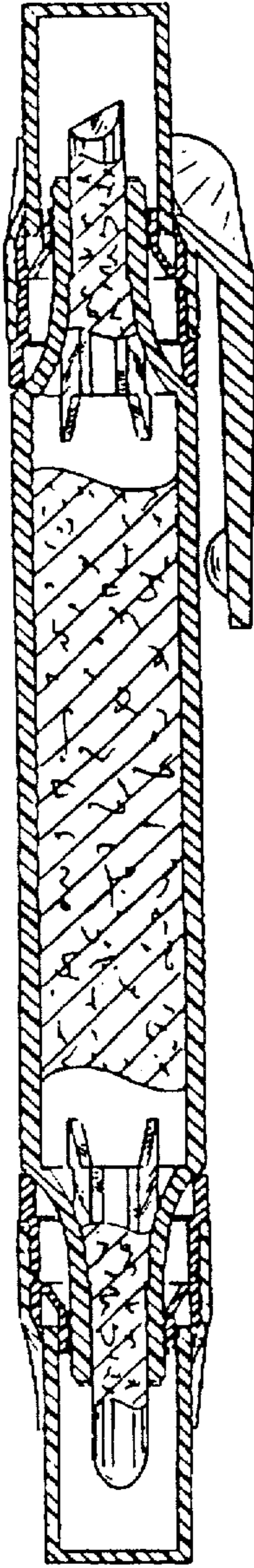


FIG. 14

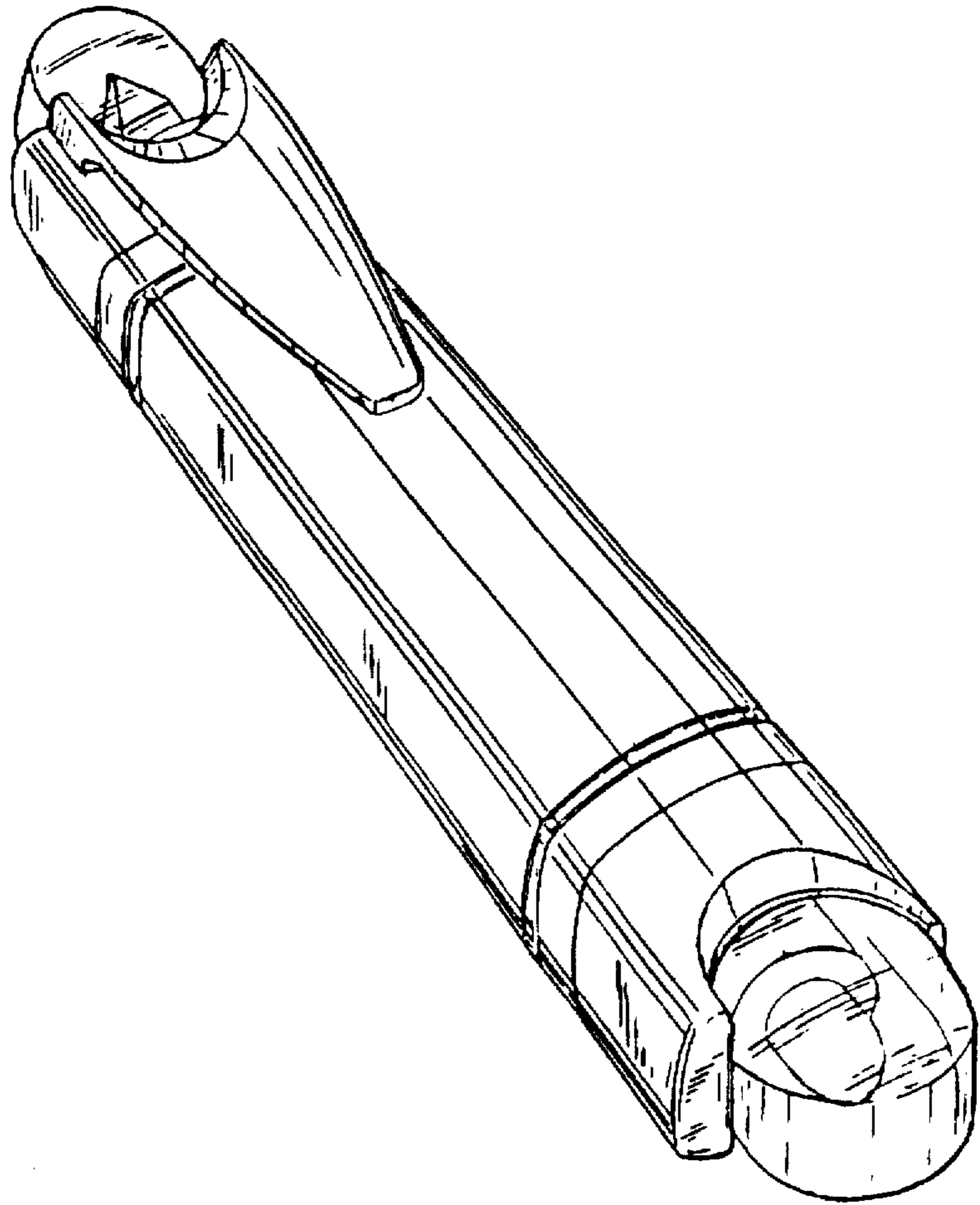


FIG. 8

FIG. 9

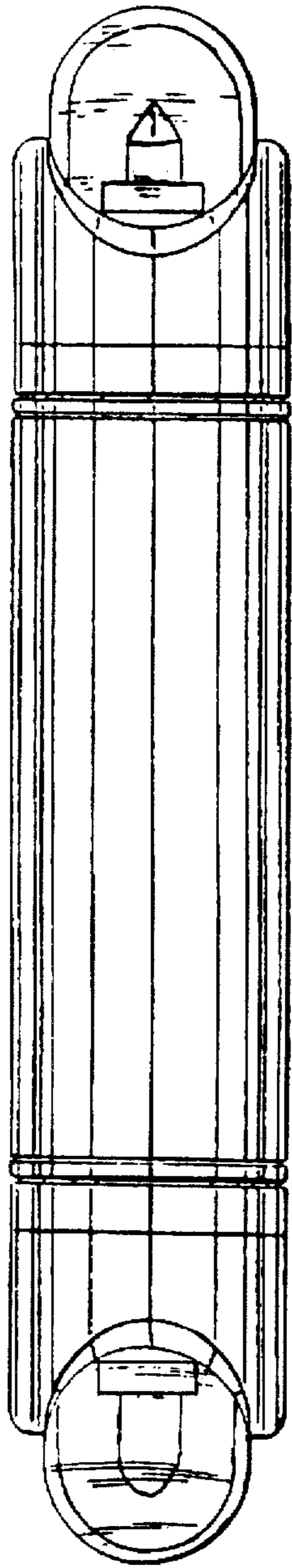


FIG. 10

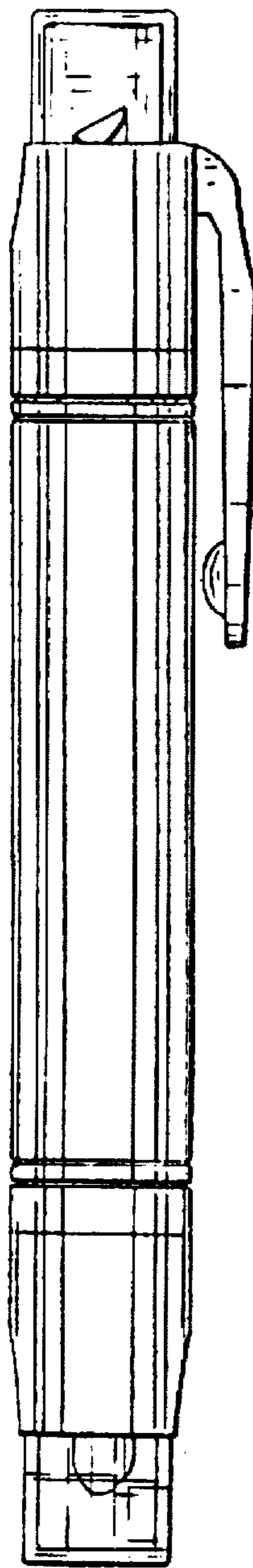


FIG. 11

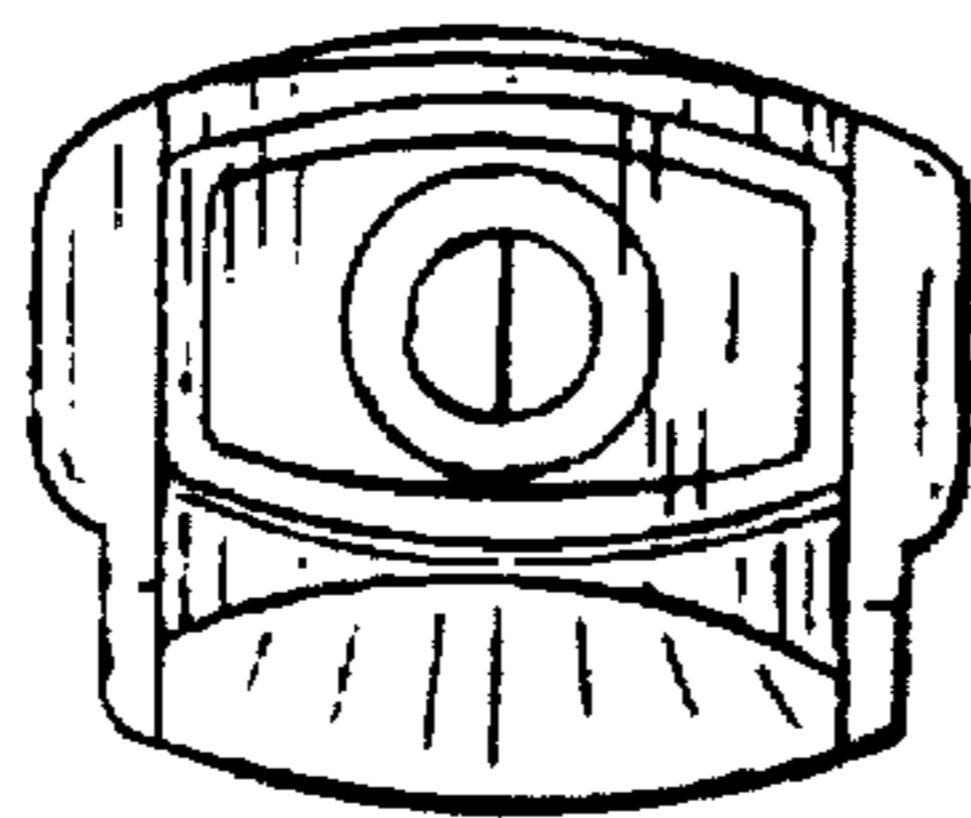
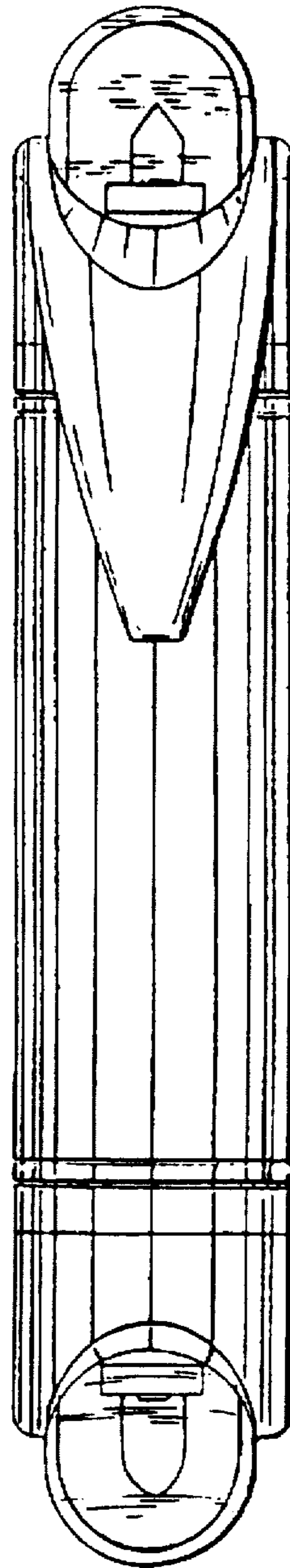


FIG. 12

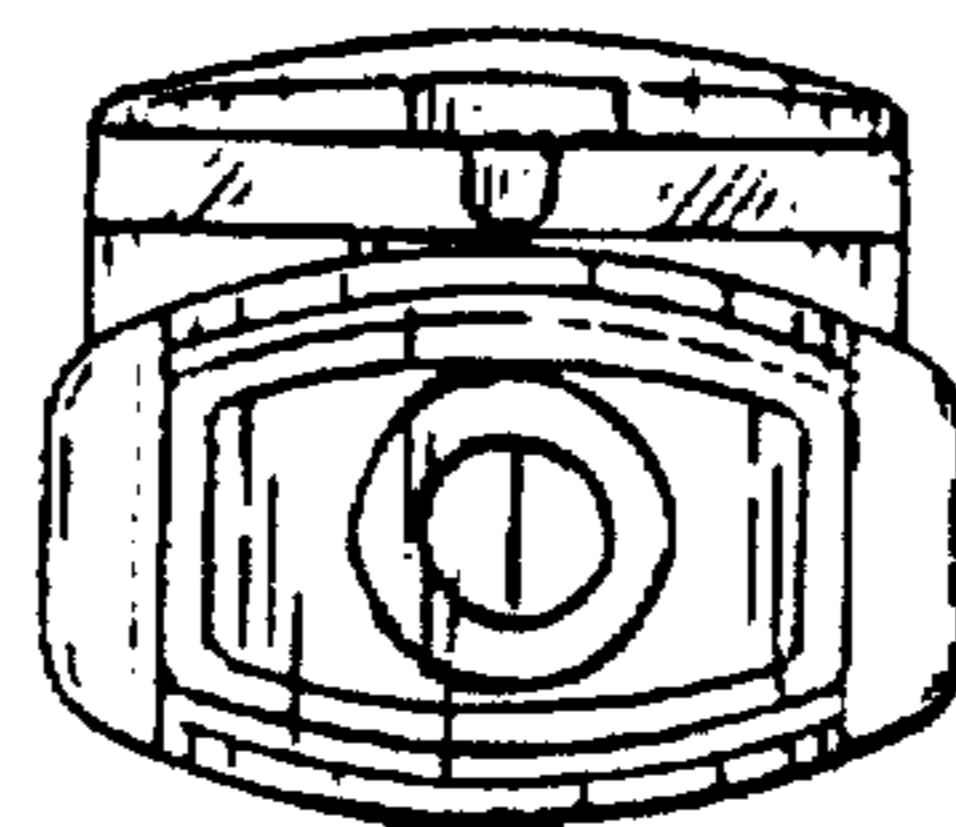


FIG. 13