



US00D389503S

United States Patent [19]

Shimizu et al.

[11] Patent Number: **Des. 389,503**

[45] Date of Patent: ****Jan. 20, 1998**

[54] **PROJECTOR**

[75] Inventors: **Mikiya Shimizu; Takahisa Yamada; Manabu Tominaga**, all of Tokyo, Japan

[73] Assignee: **Nec Corporation**, Tokyo, Japan

[**] Term: **14 Years**

[21] Appl. No.: **56,912**

[22] Filed: **Jul. 11, 1996**

[30] **Foreign Application Priority Data**

Jan. 11, 1996 [JP] Japan 8-387

[51] **LOC (6) Cl.** **16-02**

[52] **U.S. Cl.** **D16/230; D16/221; D16/225**

[58] **Field of Search** **D16/200-205, D16/208, 221, 225, 229, 230, 231, 234; 352/34, 242, 243; 353/115, 119, 122**

[56] **References Cited**

U.S. PATENT DOCUMENTS

D. 331,768 12/1992 Saeki et al. D16/225
D. 343,849 2/1994 Miyahara D16/225

D. 356,103 3/1995 Saeki et al. D16/221
D. 371,148 6/1996 Kobayashi D16/230
2,916,964 12/1959 Paulsohn 353/115

OTHER PUBLICATIONS

Sharp Catalog, Aug. 1993 p. 9 (Projector T1Z).

Primary Examiner—Philip S. Hyder
Assistant Examiner—Adir Aronovich
Attorney, Agent, or Firm—Sughrue, Mion, Zinn, Macpeak & Seas, PLLC

[57] **CLAIM**

The ornamental design for a projector, as shown.

DESCRIPTION

FIG. 1 is a perspective view of the top, front and right side of a projector showing our new design; FIG. 2 is a front elevational view thereof; FIG. 3 is a rear elevational view thereof; FIG. 4 is a left side elevational view thereof; FIG. 5 is a right side elevational view thereof; FIG. 6 is a bottom plan view thereof; and, FIG. 7 is a top plan view thereof.

1 Claim, 2 Drawing Sheets

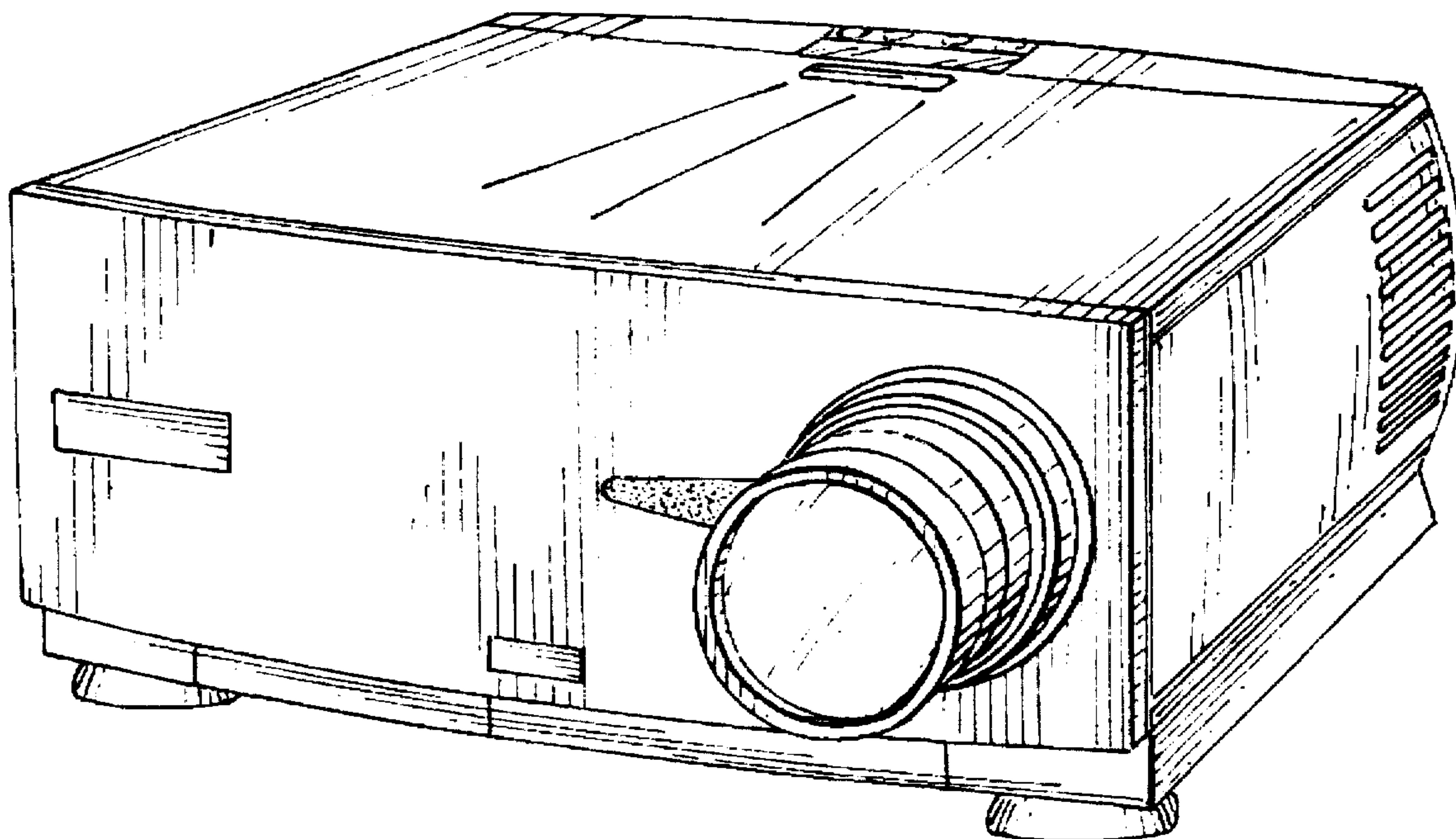


FIG. 1

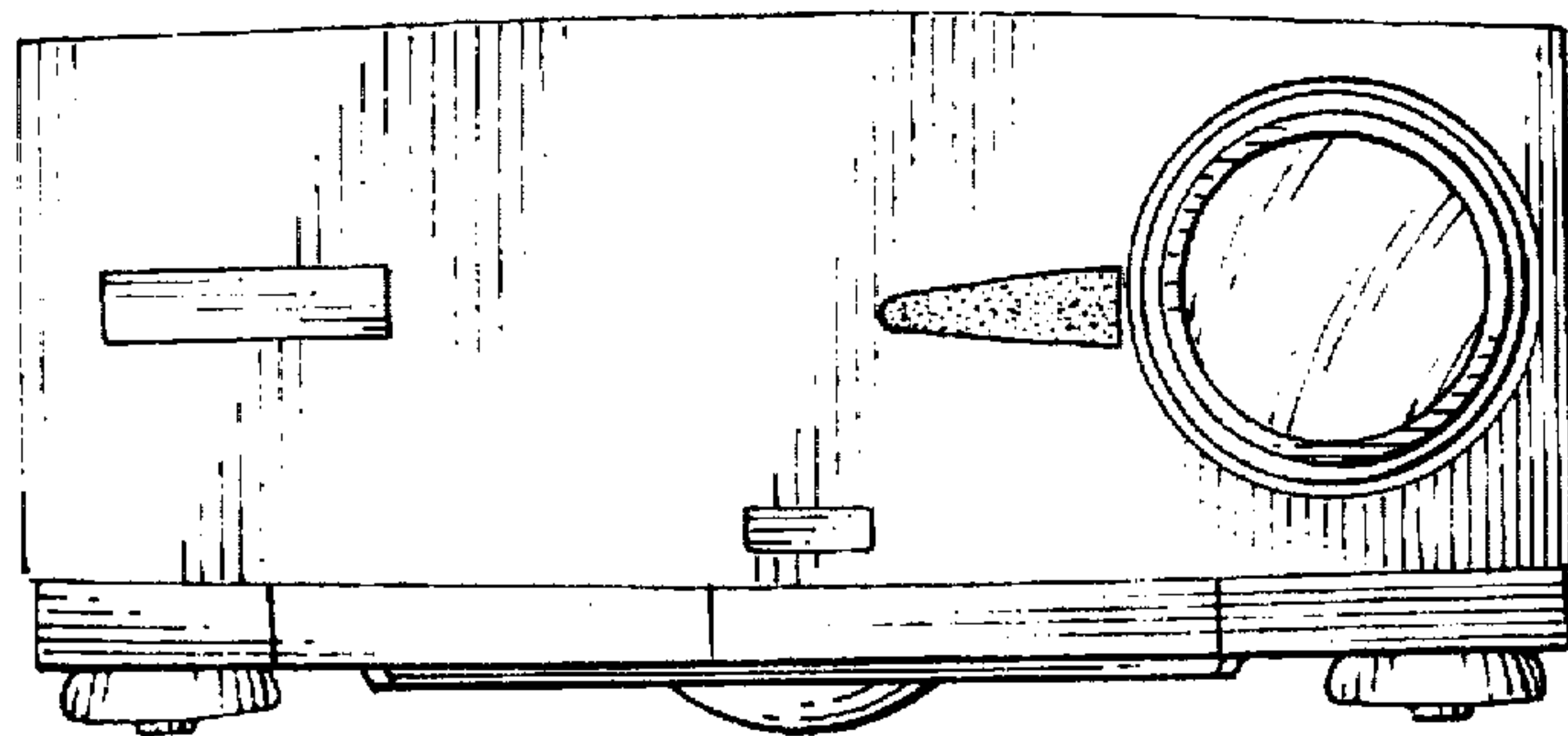
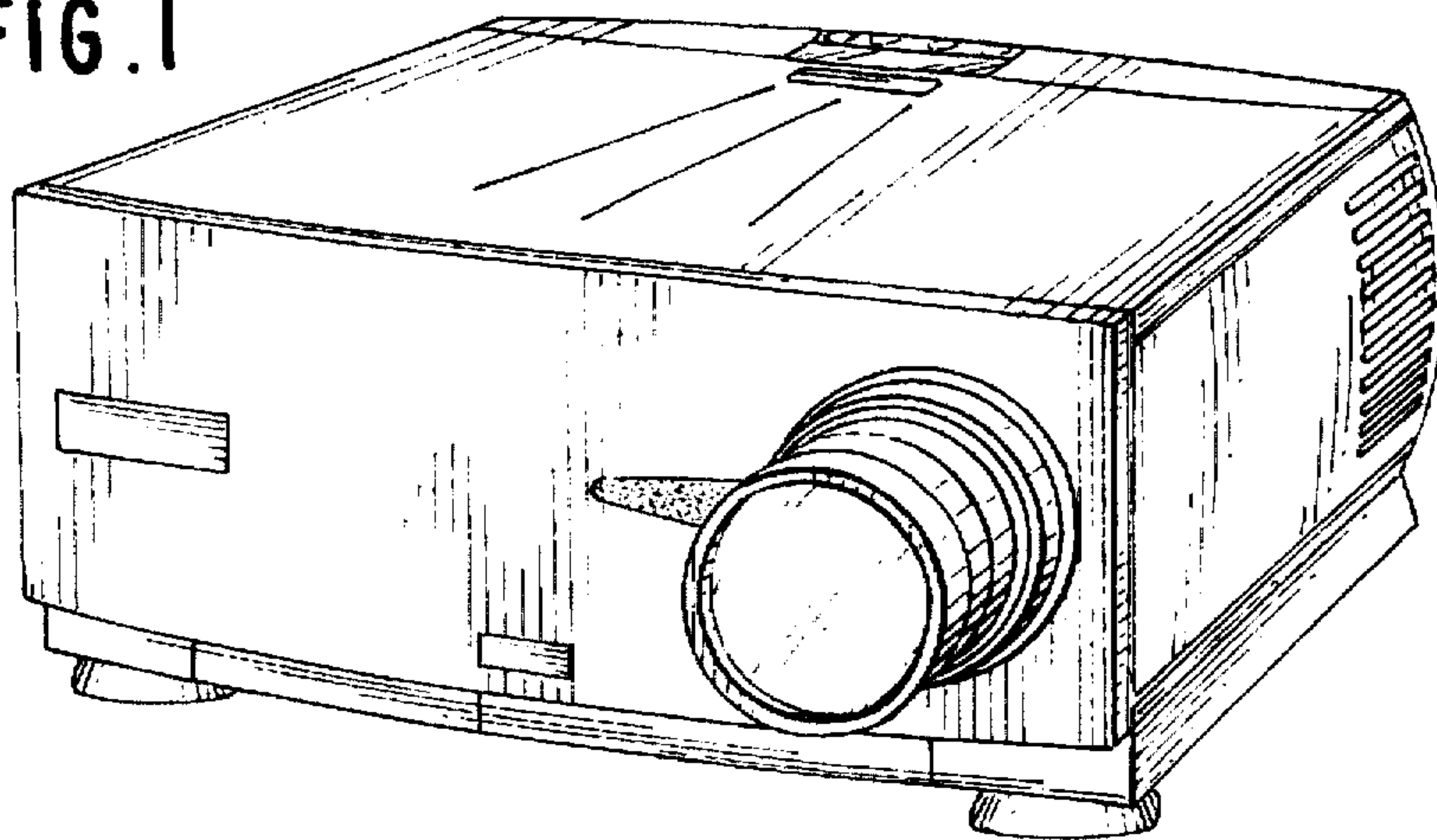


FIG. 2

FIG. 3

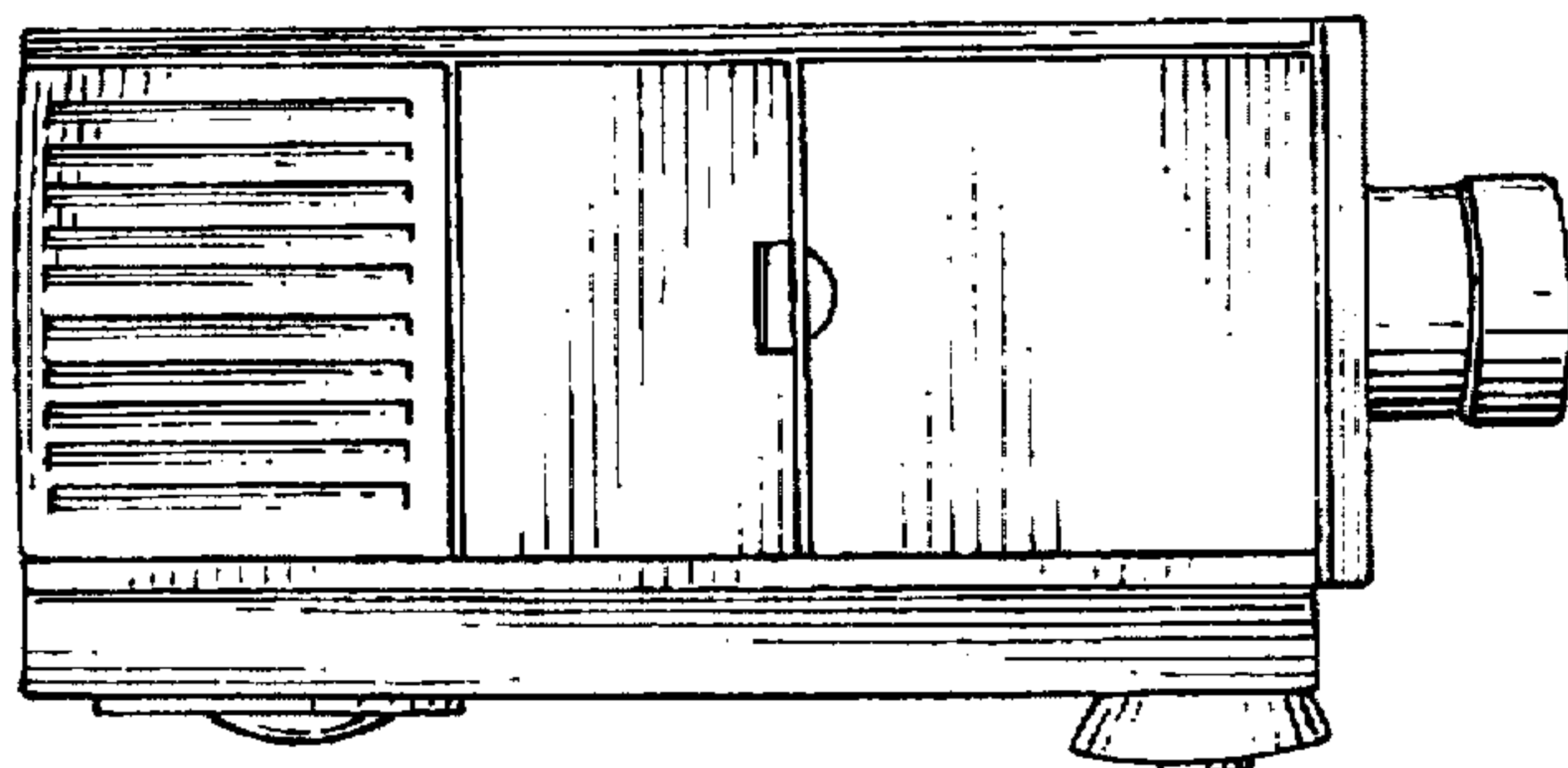
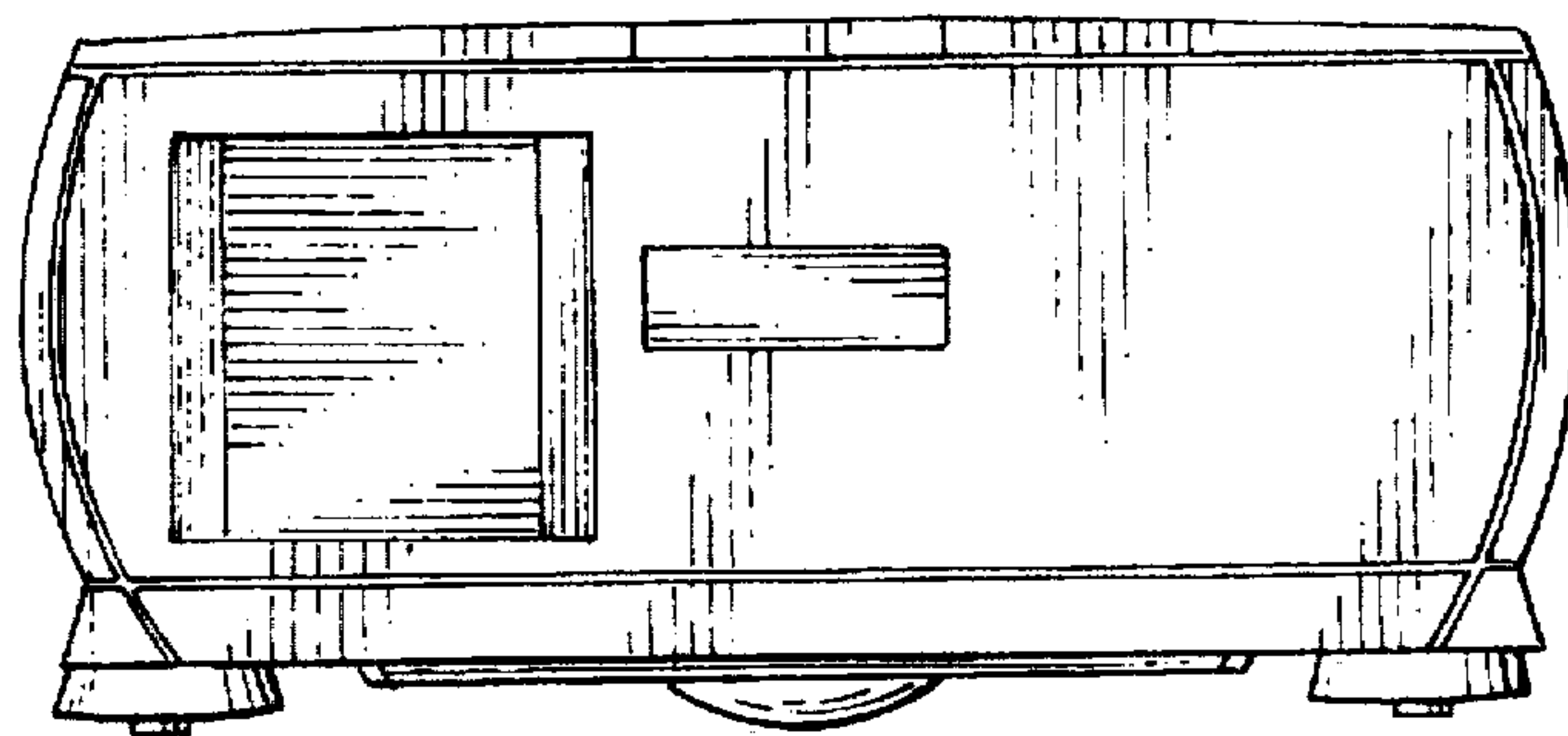


FIG. 4

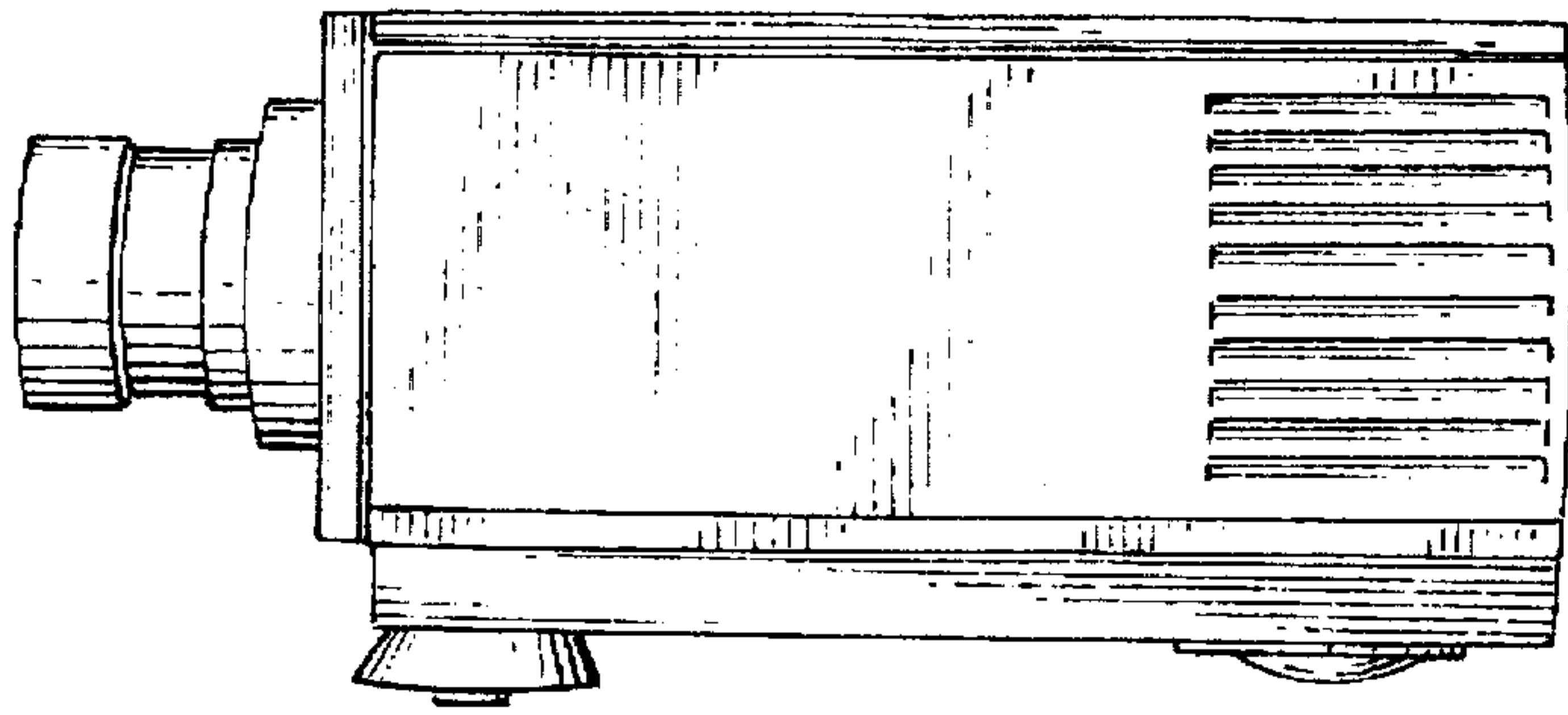


FIG. 5

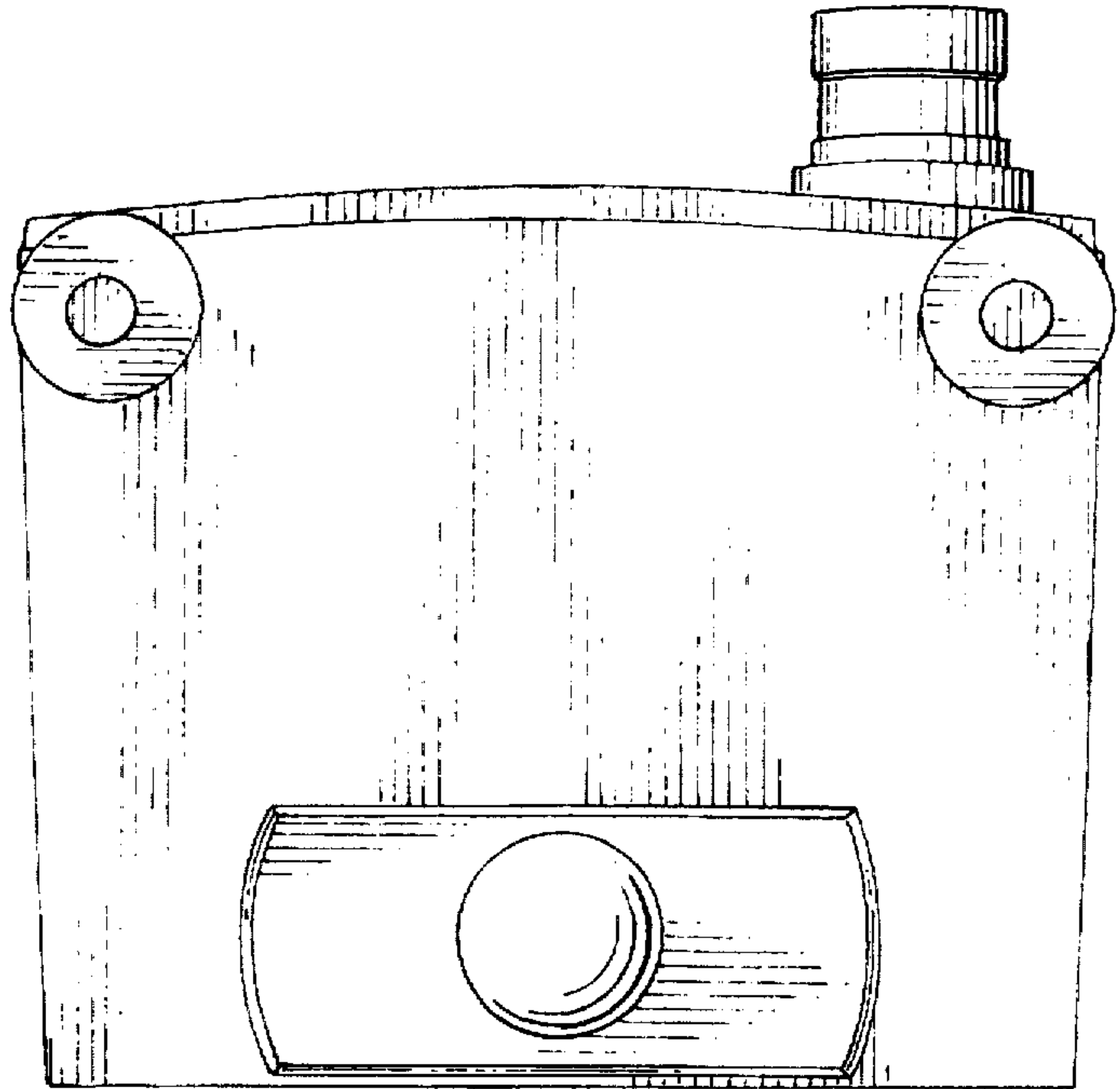


FIG. 6

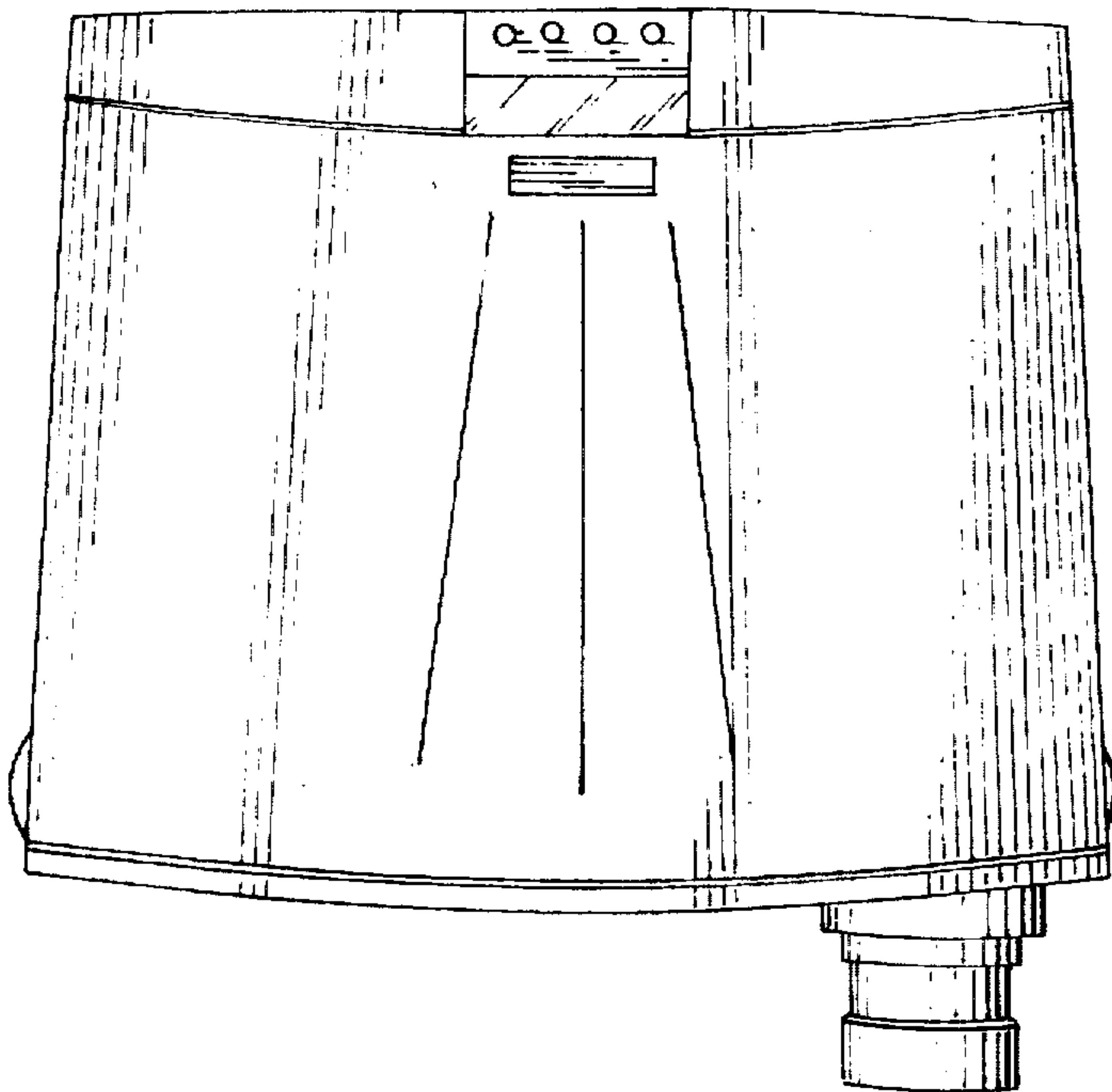


FIG. 7

UNITED STATES PATENT AND TRADEMARK OFFICE
CERTIFICATE OF CORRECTION

PATENT NO. : Des. 389,503
DATED : January 20, 1998
INVENTOR(S) : Mikiya SHIMIZU et al.

It is certified that error appears in the above-identified patent and that said Letters Patent is hereby corrected as shown below:

On the title page, item [73], "Nec" should read --NEC--.

Signed and Sealed this
Ninth Day of June, 1998

Attest:



BRUCE LEHMAN

Attesting Officer

Commissioner of Patents and Trademarks