

US00D389502S

United States Patent [19]

[11] Patent Number: **Des. 389,502**

Lee et al.

[45] Date of Patent: ****Jan. 20, 1998**

[54] CAMERA

[75] Inventors: **Ji Gang Lee; Joo Bok Kim**, both of Seoul, Rep. of Korea

[73] Assignee: **Samsung Aerospace Industries, Ltd.**, Kyeongsangnam-do, Rep. of Korea

[**] Term: **14 Years**

[21] Appl. No.: **64,440**

[22] Filed: **Dec. 31, 1996**

[51] LOC (6) Cl. **16-01**

[52] U.S. Cl. **D16/209; D16/217**

[58] Field of Search **D16/200-205, D16/208, 209, 216-218; 396/535-543, 84**

[56] **References Cited**

U.S. PATENT DOCUMENTS

D. 322,977	1/1992	Yamamoto	D16/209
D. 357,265	4/1995	Hamamura	D16/209
D. 359,975	7/1995	Meinzer et al.	D16/209
D. 379,361	5/1997	Leonard	D16/209
4,990,945	2/1991	Cho et al.	396/84

OTHER PUBLICATIONS

Shashin-Kougyou Catalog, vol. 51 No. 5 p. 58, May 1993.

Primary Examiner—Philip S. Hyder

Assistant Examiner—Adir Aronovich

Attorney, Agent, or Firm—Finnegan, Henderson, Farabow, Garrett & Dunner, L.L.P.

[57] **CLAIM**

The ornamental design for a camera, as shown and described.

DESCRIPTION

FIG. 1 is front elevational view of the design for a camera; FIG. 2 is a rear elevational view of the design of FIG. 1; FIG. 3 is a top plan view of the design of FIG. 1;

FIG. 4 is a bottom plan view of the design of FIG. 1;

FIG. 5 is a left side elevational view of the design of FIG. 1;

FIG. 6 is a right side elevational view of the design of FIG. 1;

FIG. 7 is a top, front and left side perspective view of the design of FIG. 1;

FIG. 8 is a top, front and left side perspective view illustrating a lens cap in a closed state of the camera of the present design; and,

FIG. 9 is a top, front and left side perspective view illustrating a lens barrel of the camera of the present design in an elongated state for zooming.

1 Claim, 6 Drawing Sheets

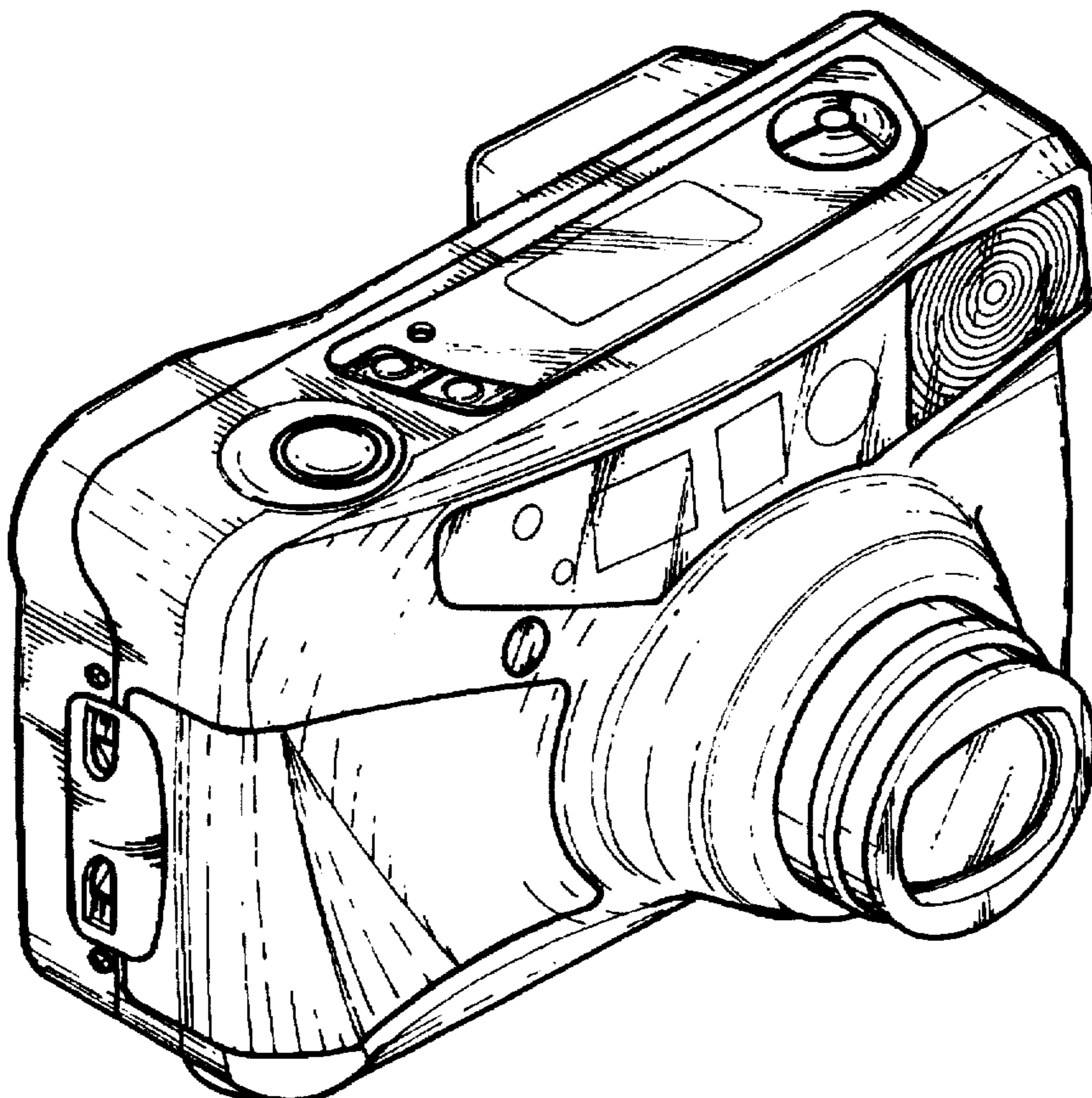


FIG. 1

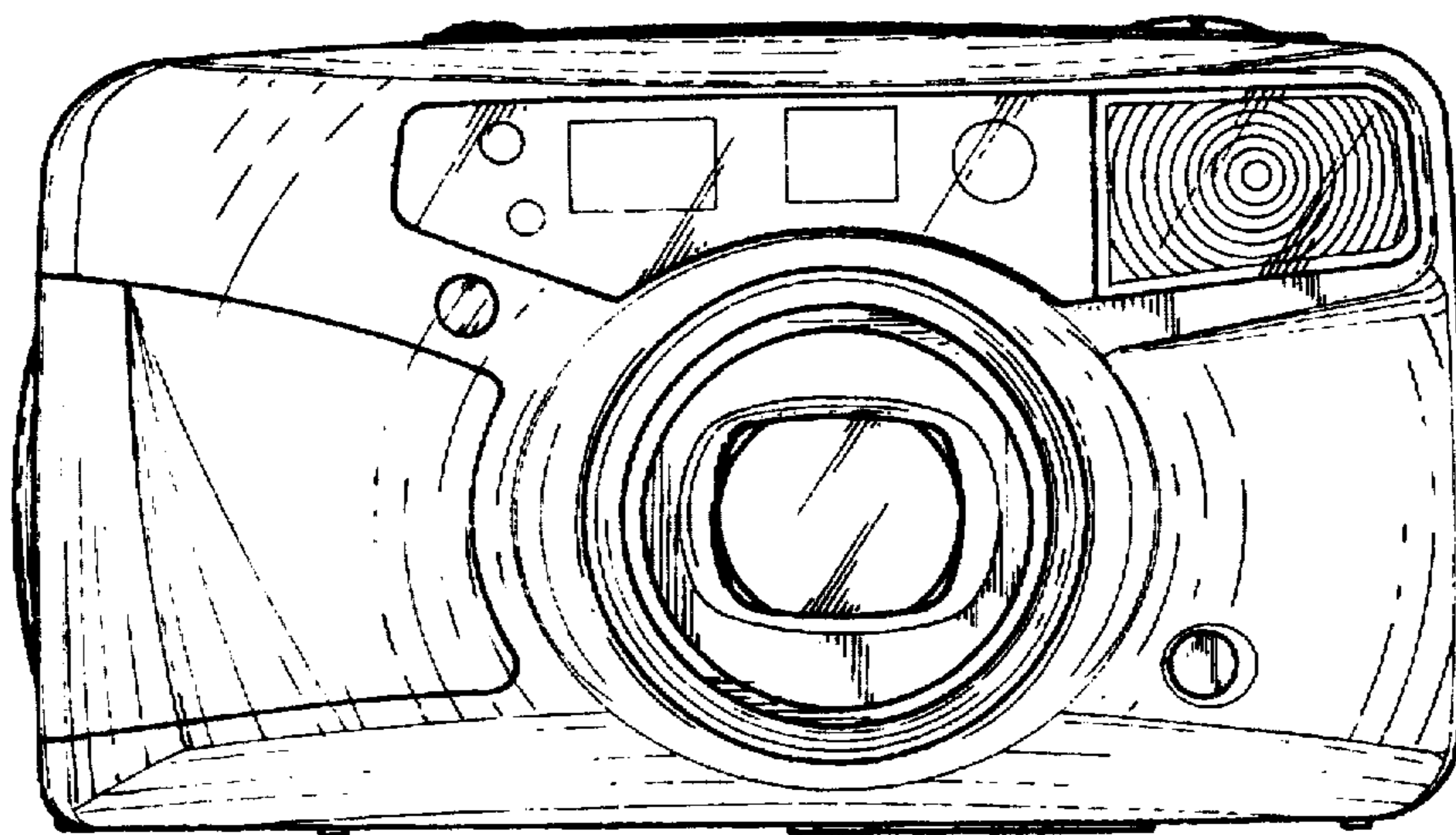


FIG. 2

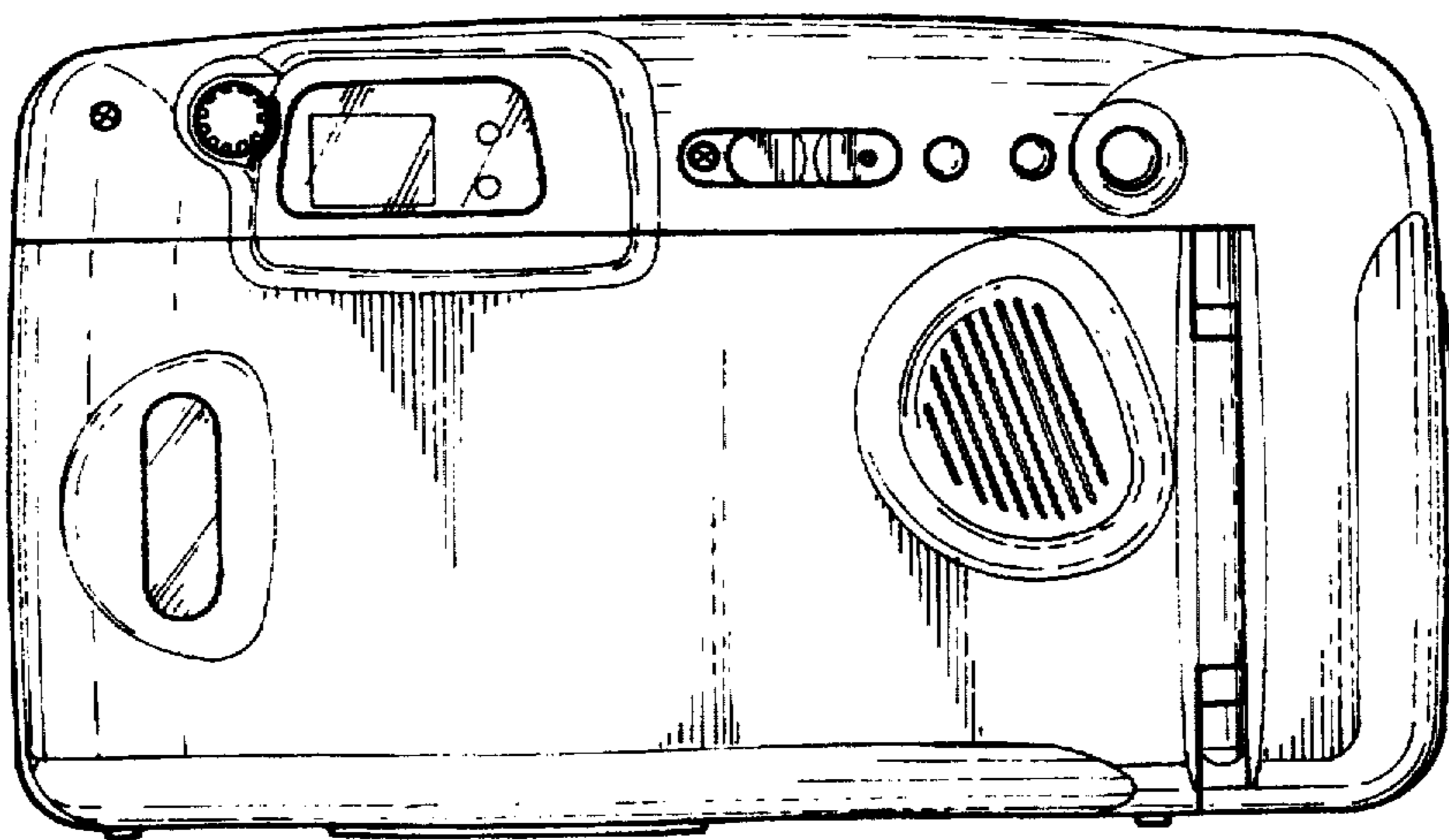


FIG. 3

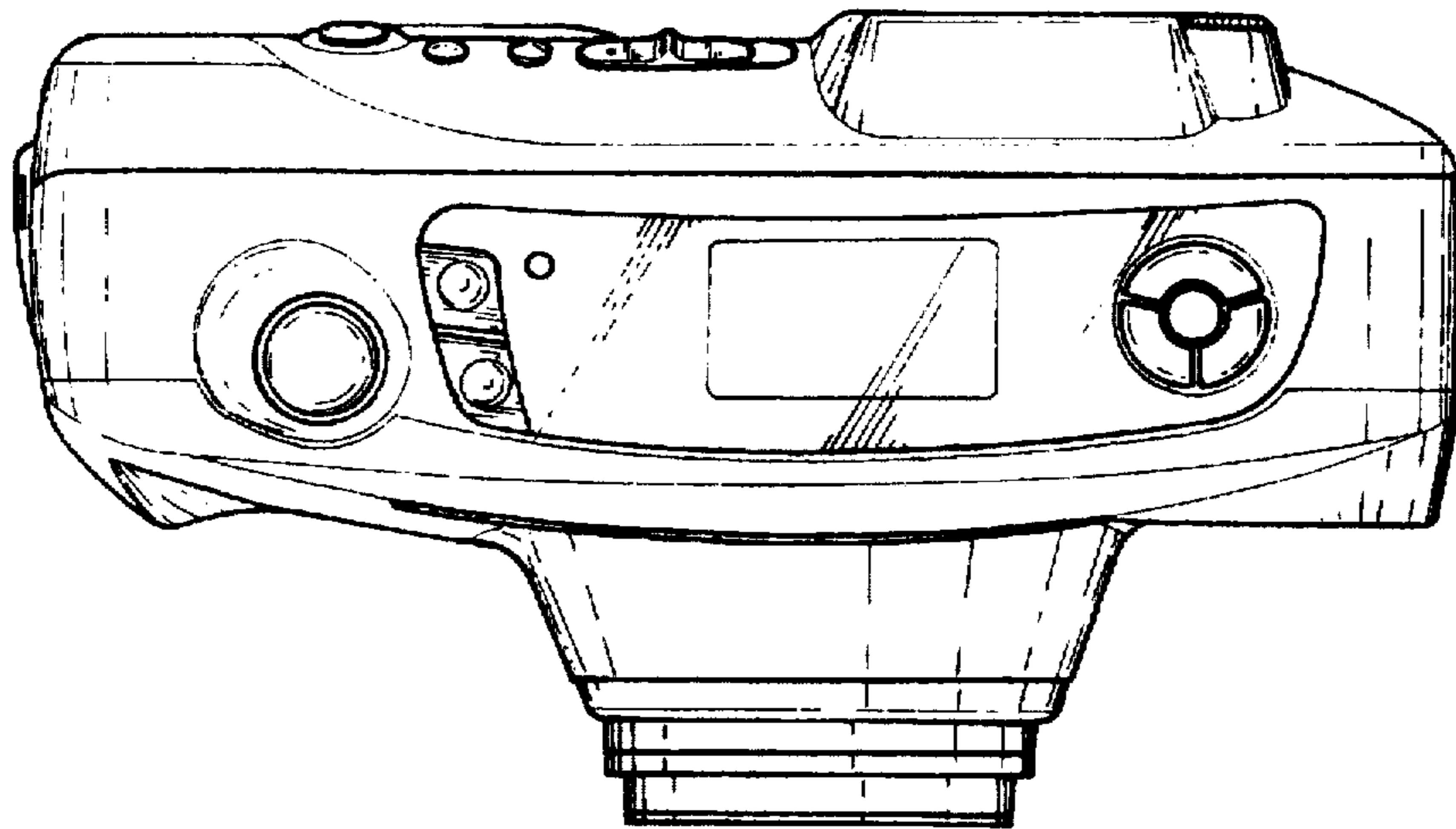


FIG. 4

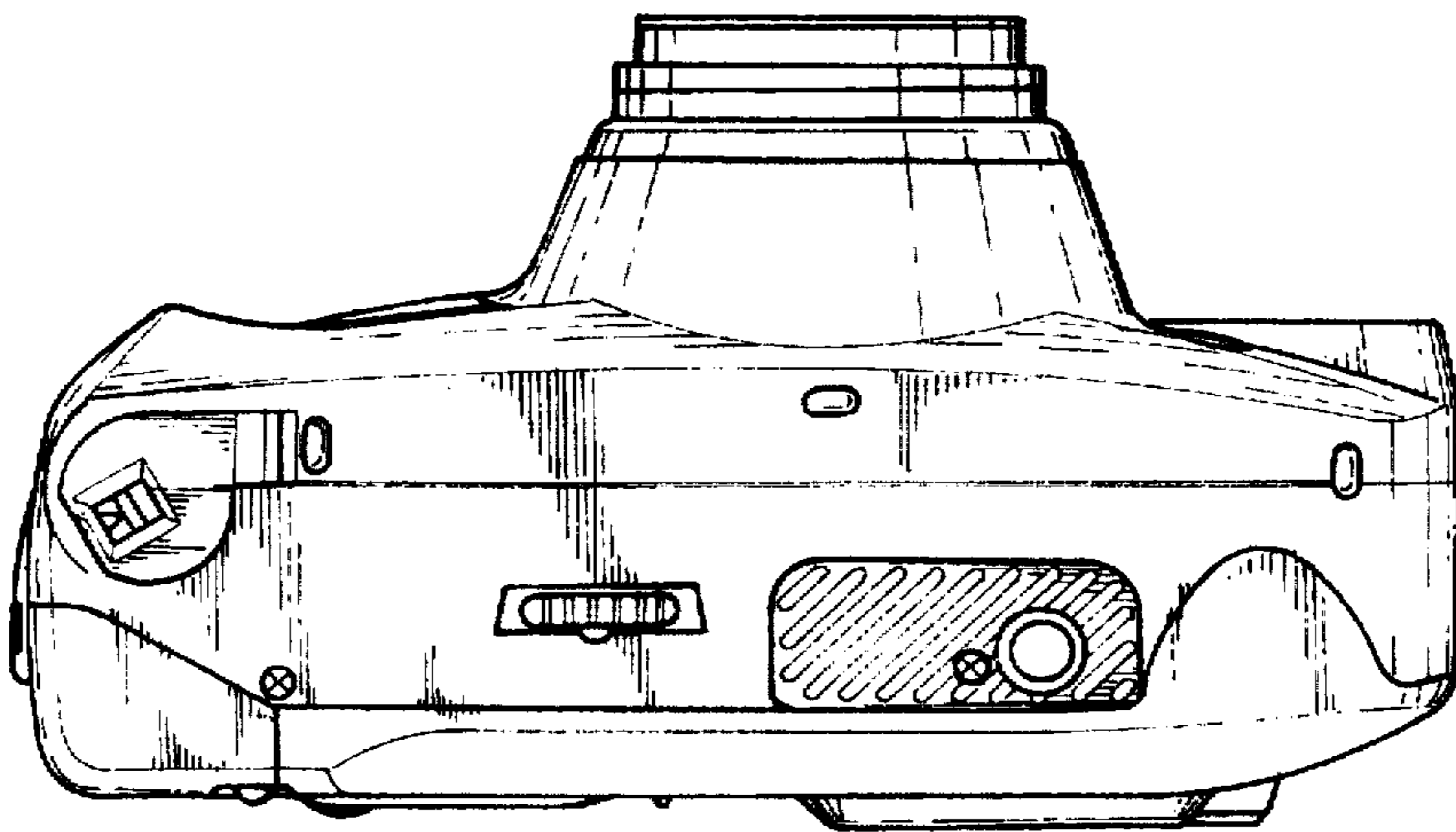


FIG. 5

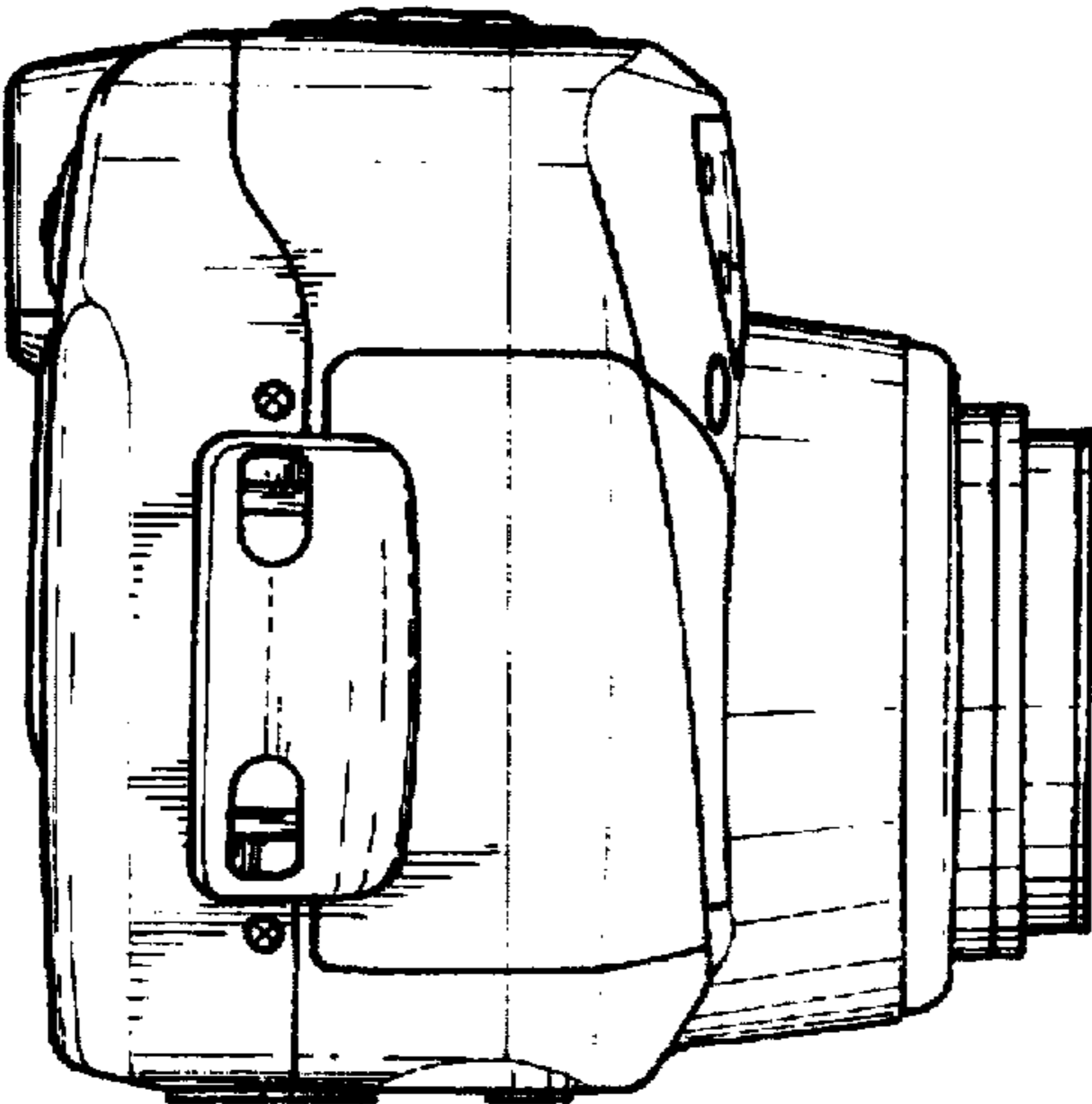


FIG. 6

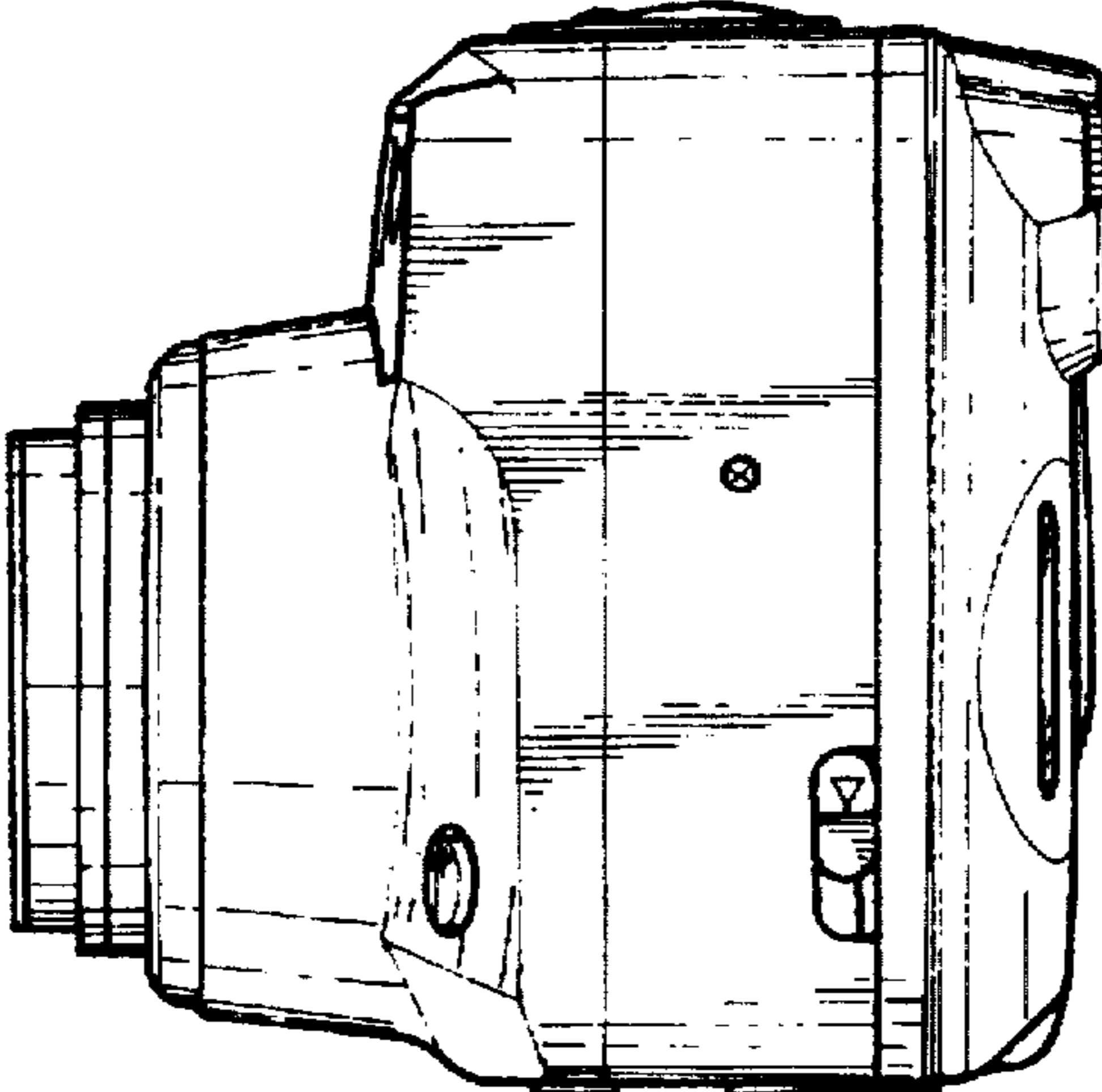


FIG. 7

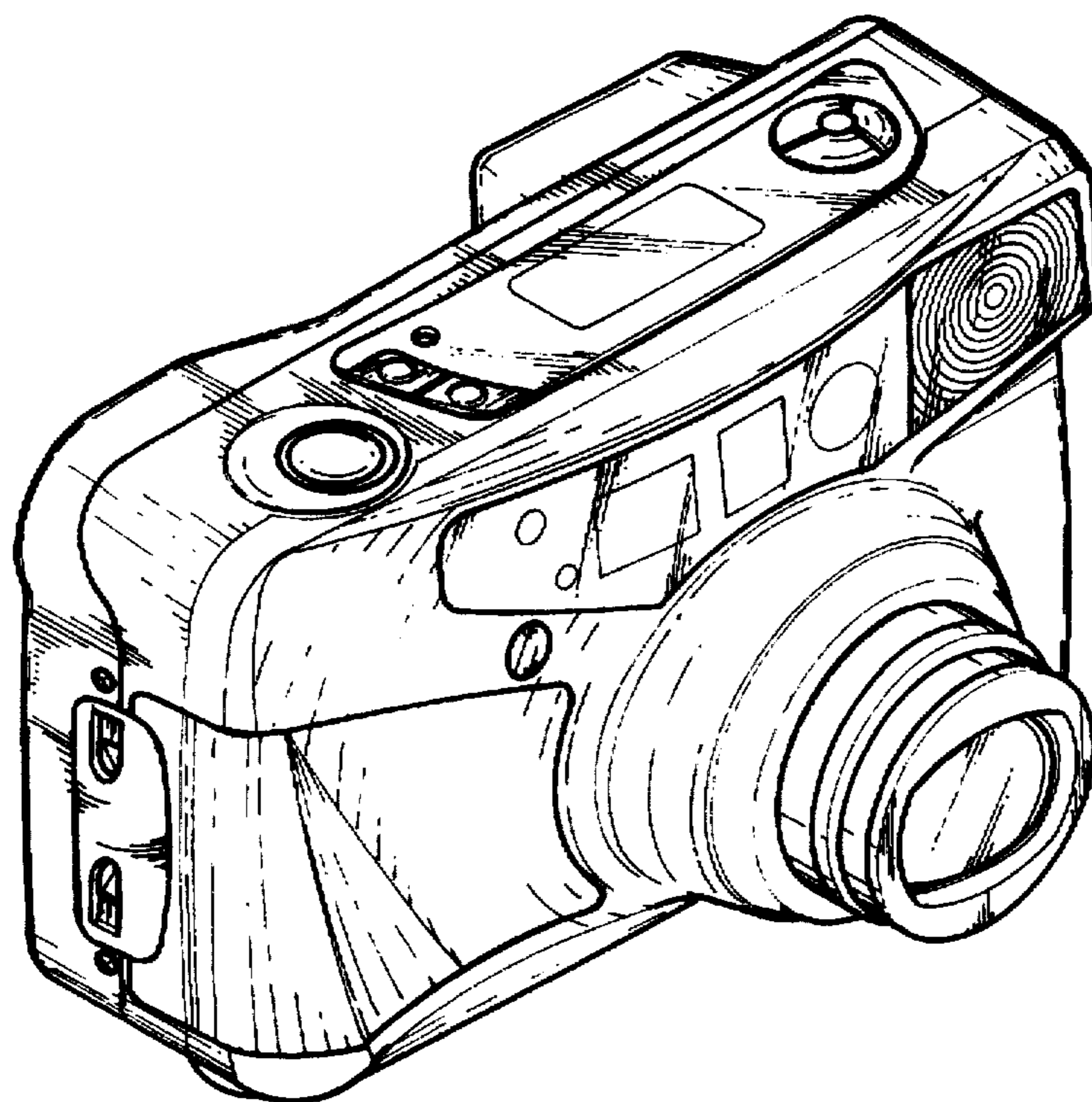


FIG. 8

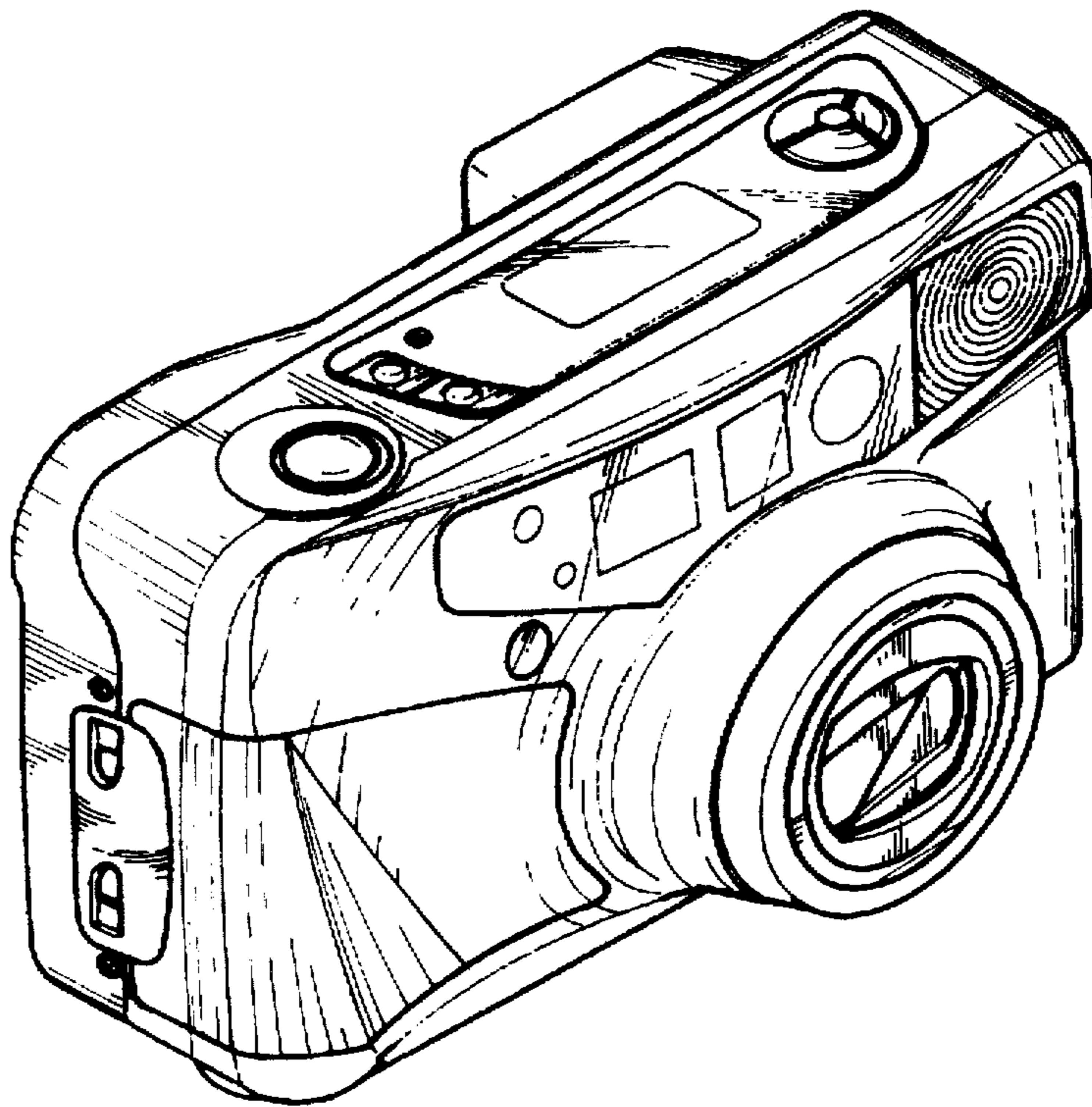


FIG. 9

