



US00D389499S

United States Patent [19]
Chen

[11] **Patent Number: Des. 389,499**
[45] **Date of Patent: **Jan. 20, 1998**

[54] **ASTRONOMICAL TELESCOPE**

[76] **Inventor: Ta-Kuei Chen, 4F, 22 Alley 2, Lane 250, Sec. 5, Nan-King E. Rd., Taipei, Taiwan**

[**] **Term: 14 Years**

[21] **Appl. No.: 64,272**

[22] **Filed: Dec. 12, 1996**

[51] **LOC (6) Cl. 16-06**

[52] **U.S. Cl. D16/132**

[58] **Field of Search D16/132; 359/399, 359/400, 404, 407, 412, 413, 414, 415, 416, 417, 418, 419, 421, 420**

[56] **References Cited**

U.S. PATENT DOCUMENTS

5,121,220 6/1992 Nakamoto 359/421 X
5,416,632 5/1995 Carlisle 359/407 X

*Primary Examiner—Paula A. Mortimer
Attorney, Agent, or Firm—Ladas & Parry*

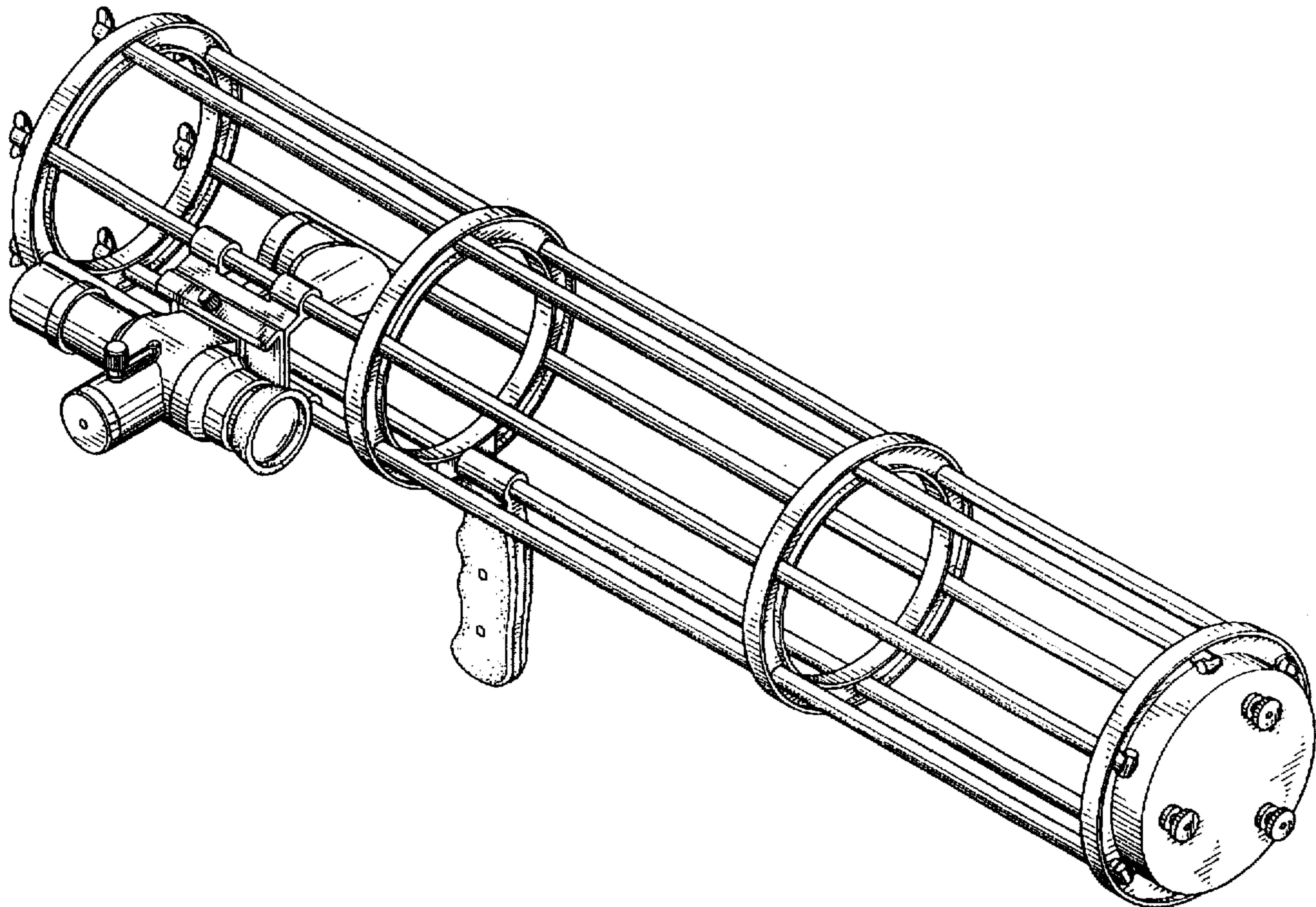
[57] **CLAIM**

The ornamental design for an astronomical telescope, as shown and described.

DESCRIPTION

FIG. 1 is a perspective view of an astronomical telescope showing my new design;
FIG. 2 is a front elevational view thereof;
FIG. 3 is a rear elevational view thereof;
FIG. 4 is a left side elevational view thereof;
FIG. 5 is a right side elevational view thereof;
FIG. 6 is a top plan view thereof;
FIG. 7 is a bottom plan view thereof; and,
FIG. 8 is a perspective view thereof, the broken line showing of the human form is for illustrative purposes only and forms no part of the claimed design;

1 Claim, 7 Drawing Sheets



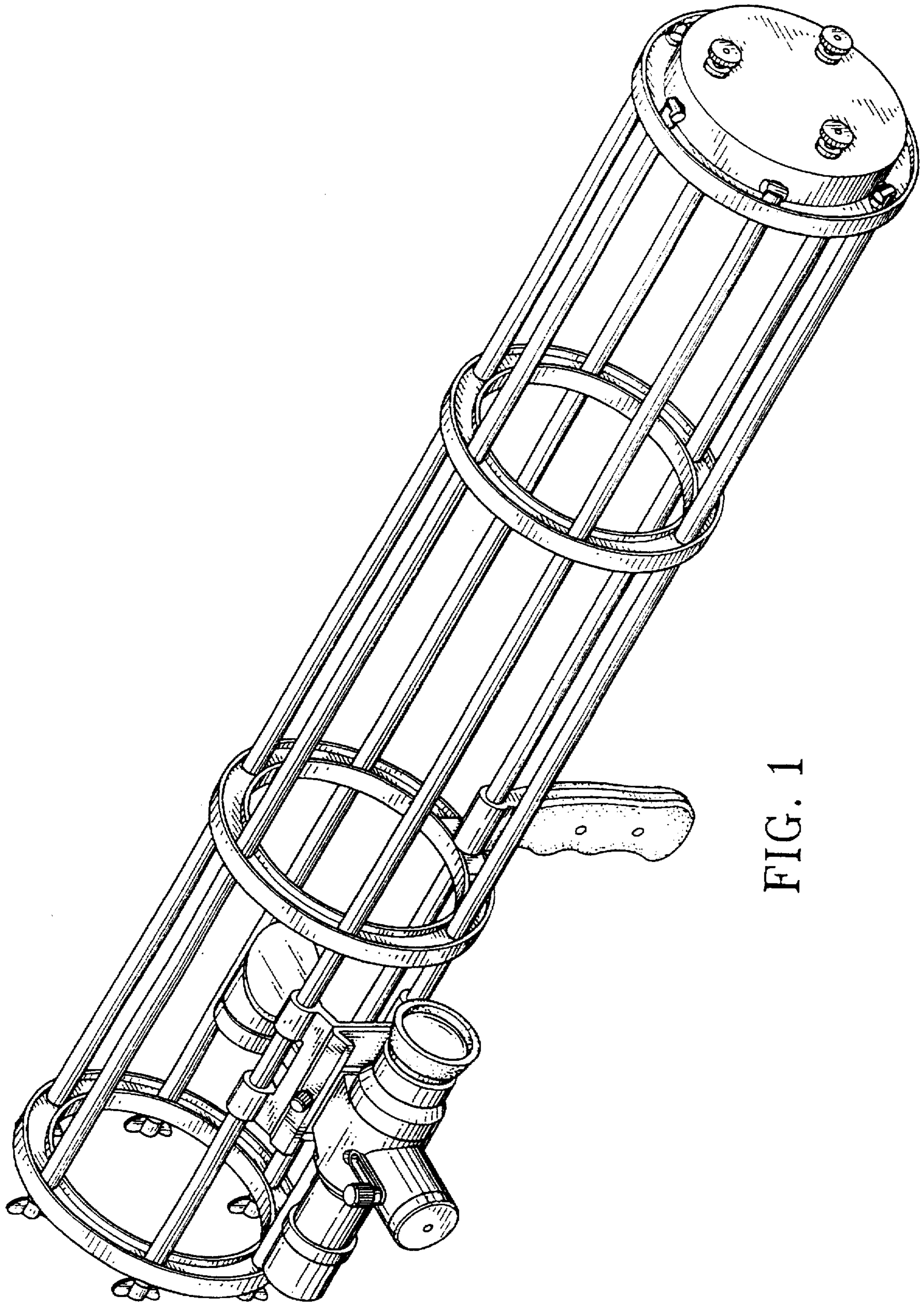


FIG. 1

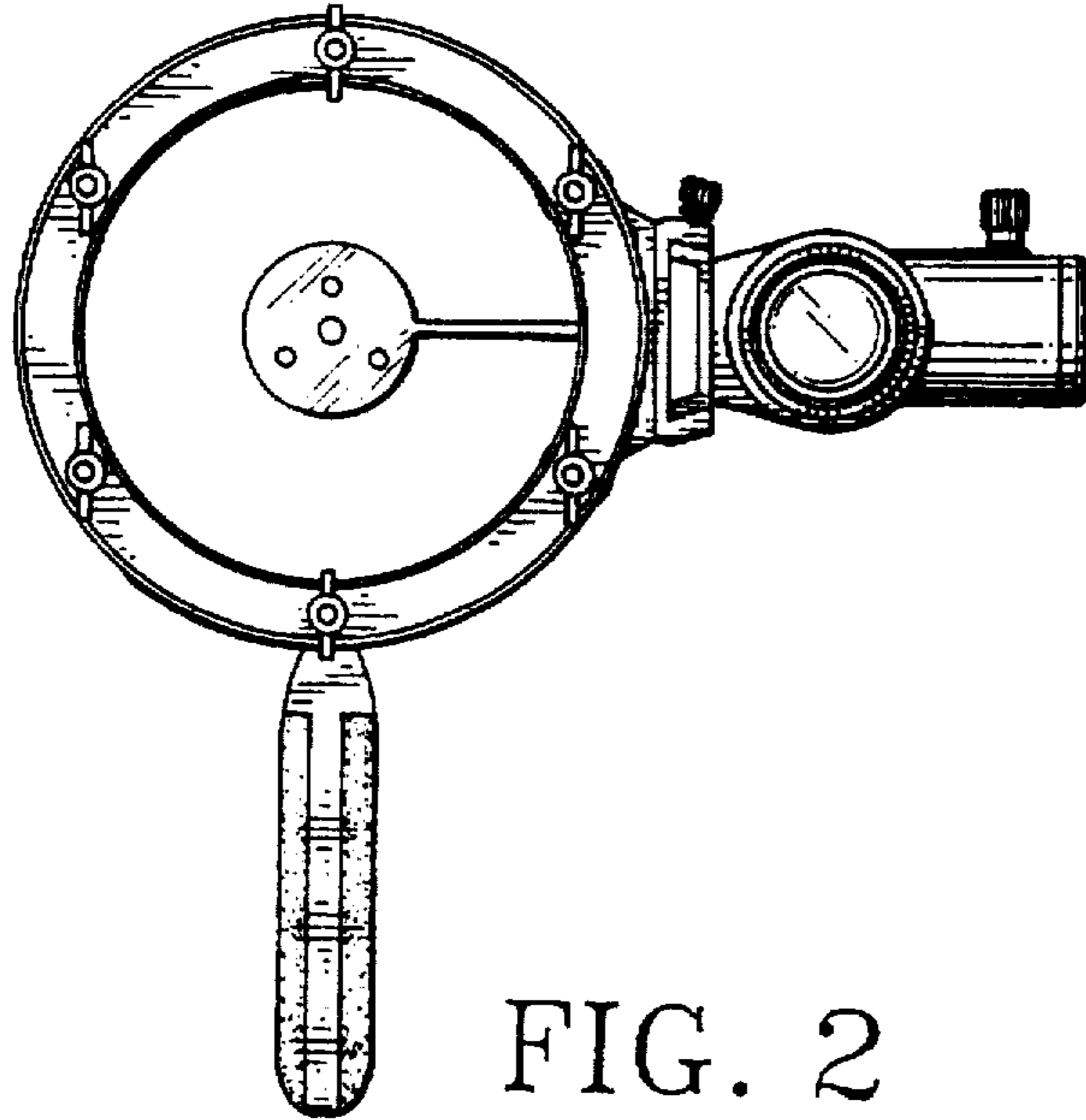


FIG. 2

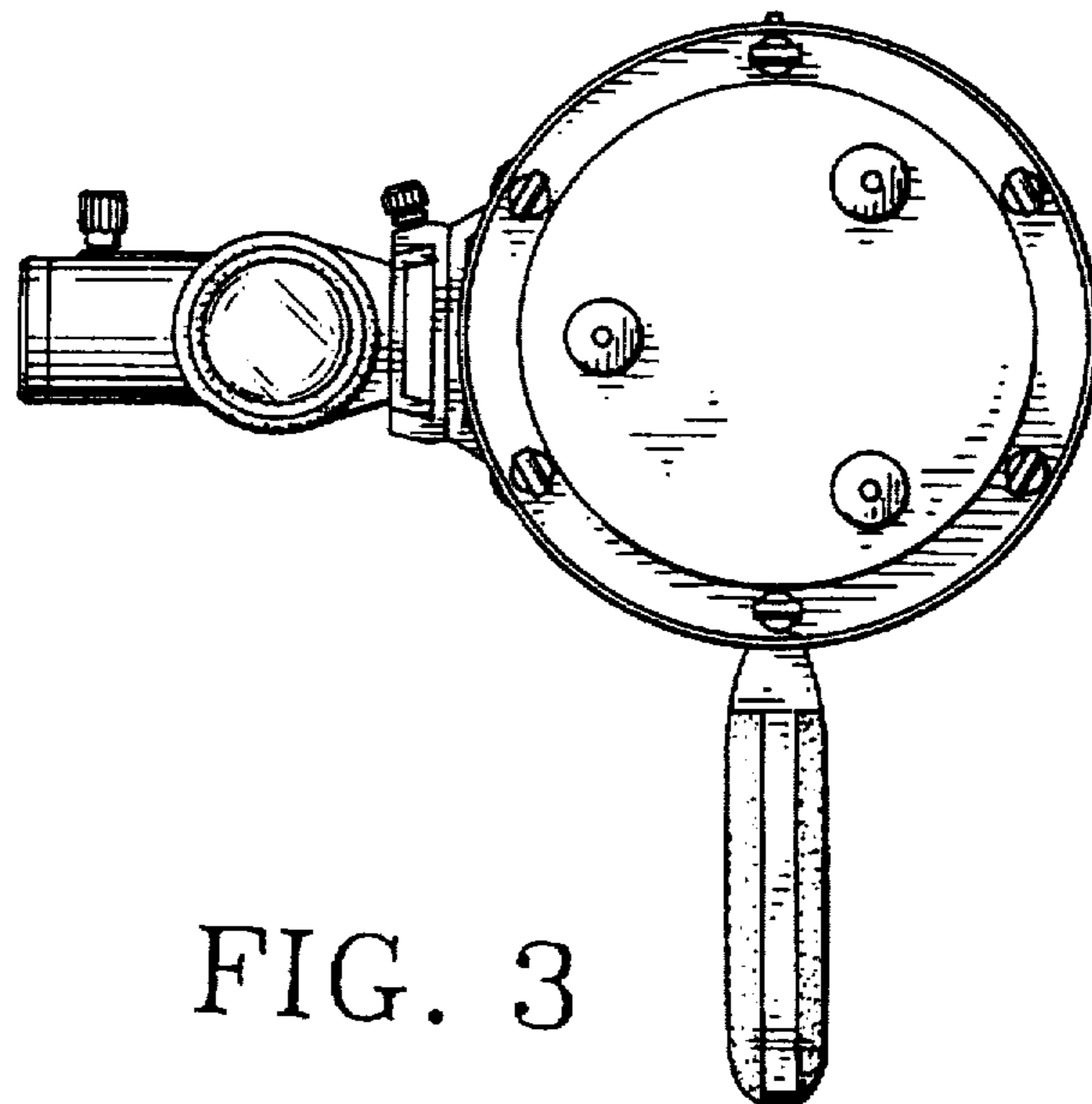


FIG. 3

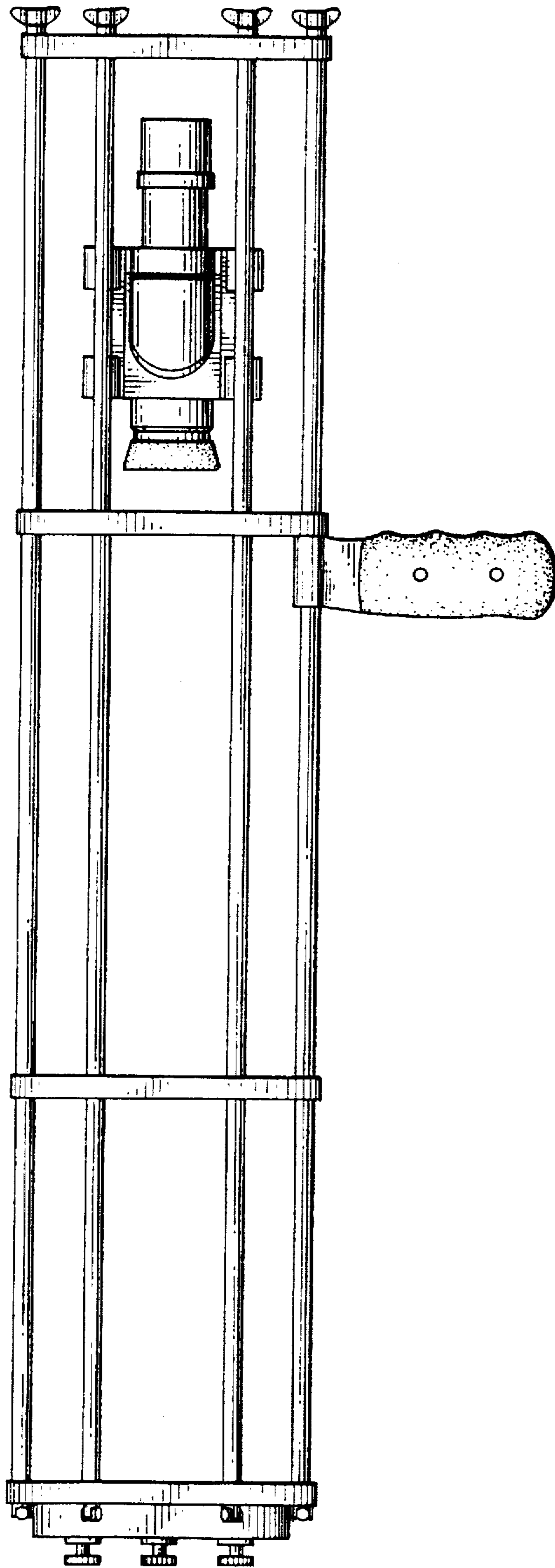


FIG. 4

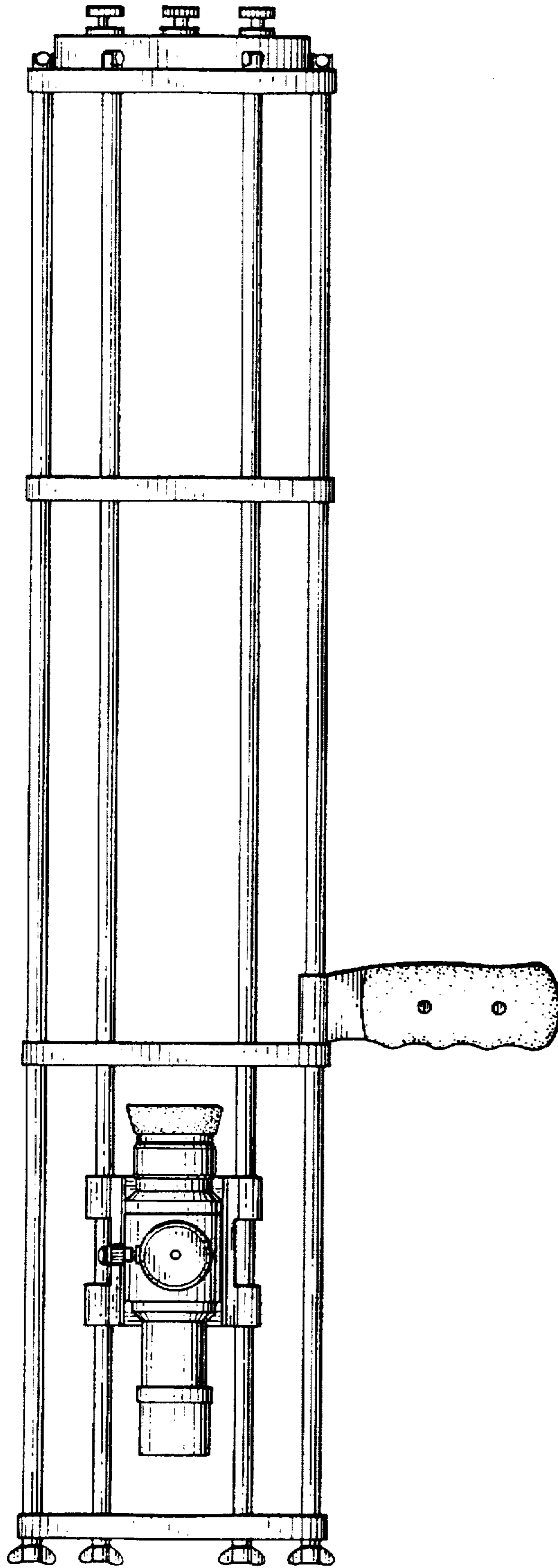


FIG. 5

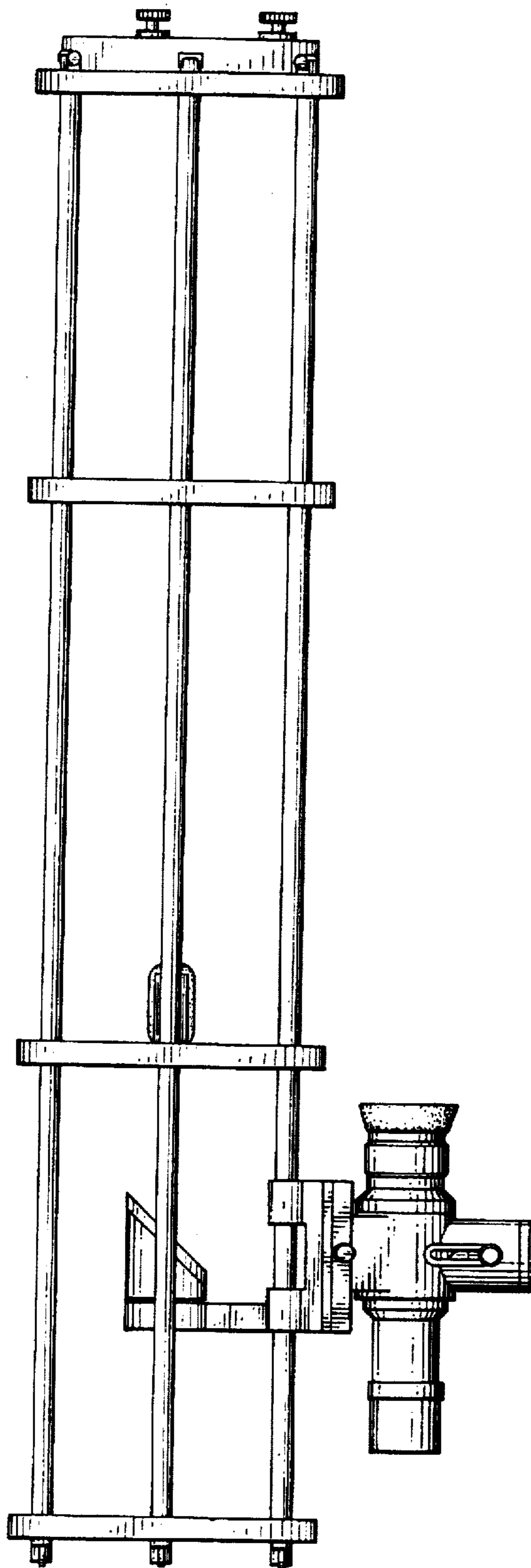


FIG. 6

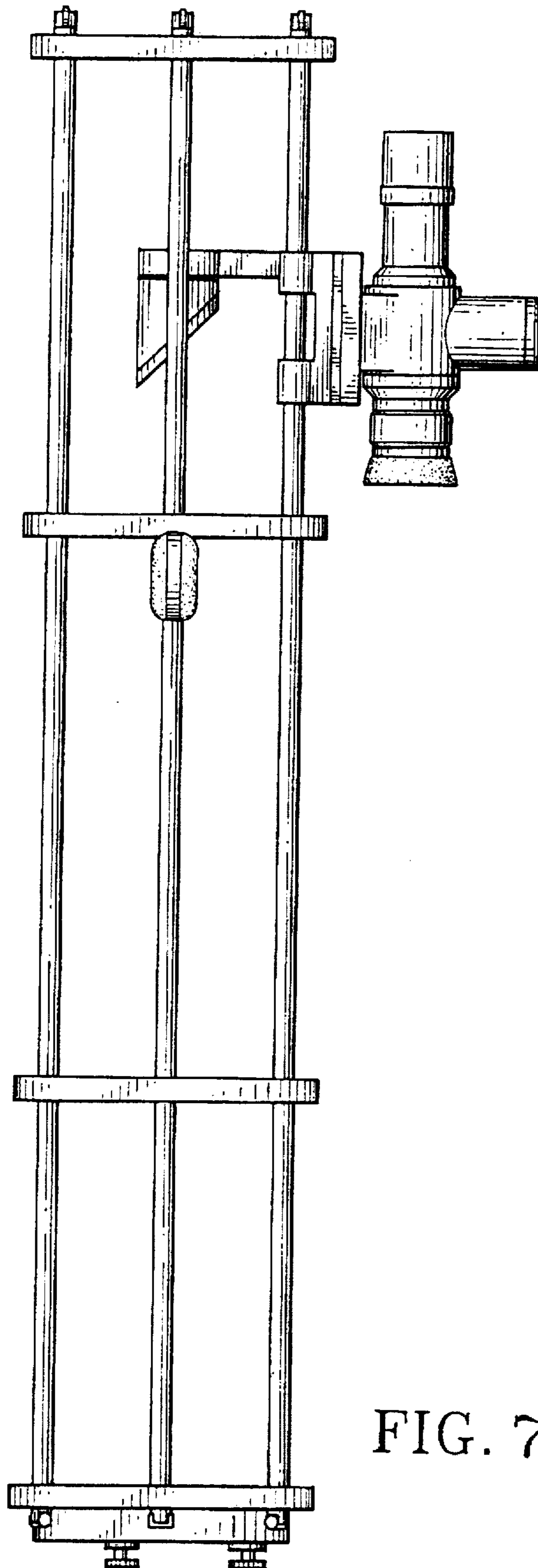


FIG. 7

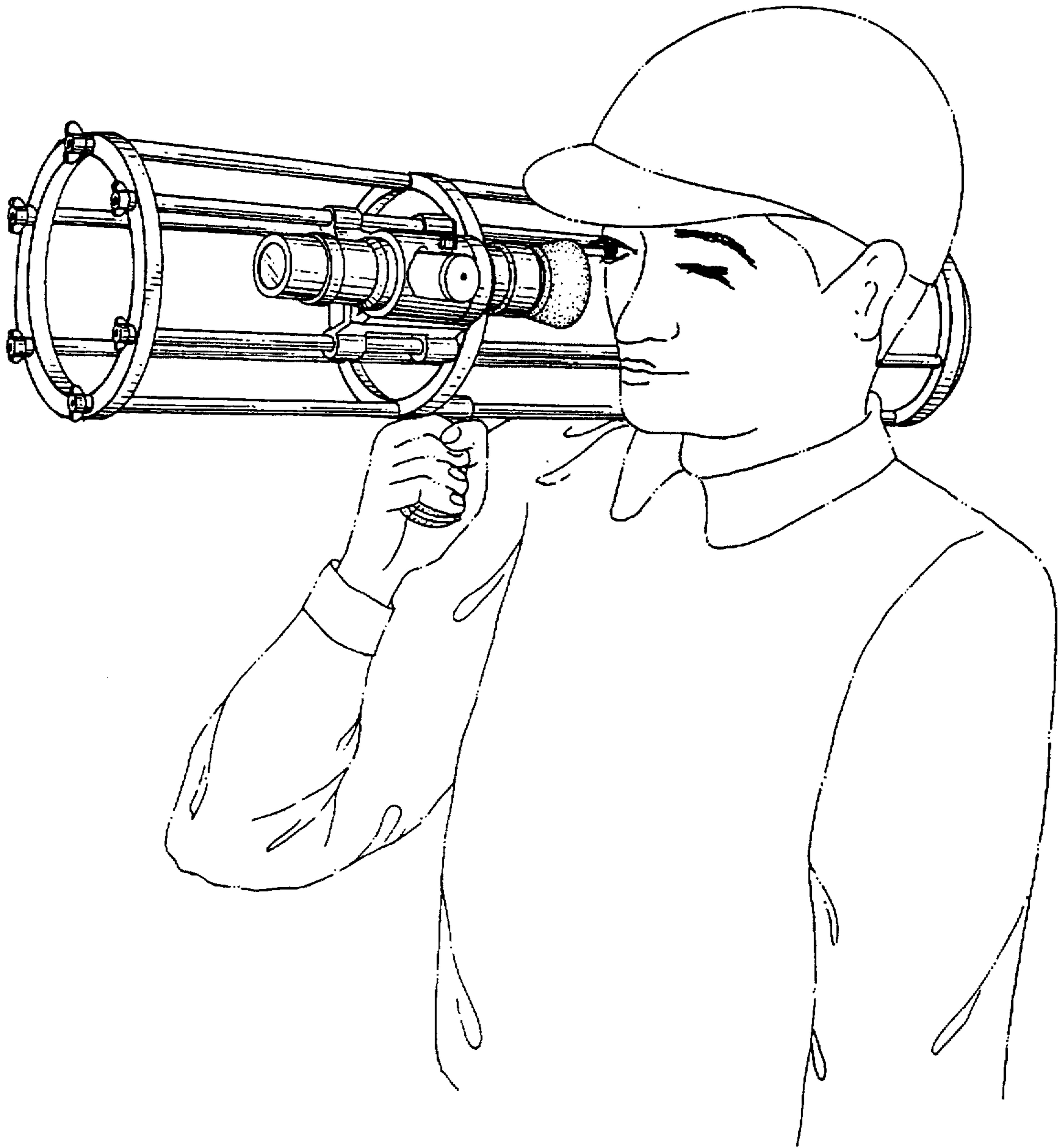


FIG. 8