

US00D389495S

United States Patent [19]
Chung

[11] **Patent Number: Des. 389,495**

[45] **Date of Patent: **Jan. 20, 1998**

[54] **BANDSAW**

D. 369,609 5/1996 Liao D15/134
2,274,923 3/1942 Hedgpeth 83/817

[76] **Inventor: Lee Hsin-Chih Chung**, No. 21-8,
Shang san cho woo, Wuchang-Li,
Chungli City, Taoyuan Hsien, Taiwan

Primary Examiner—Antoine Duval Davis
Attorney, Agent, or Firm—Notaro & Michalos P.C.

[**] **Term: 14 Years**

[57] **CLAIM**

The ornamental design for a bandsaw, as shown and described.

[21] **Appl. No.: 61,881**

[22] **Filed: Nov. 1, 1996**

DESCRIPTION

[51] **LOC (6) Cl. 15-09**

[52] **U.S. Cl. D15/134**

[58] **Field of Search D15/134; 83/814,
83/815, 816, 817, 818, 819**

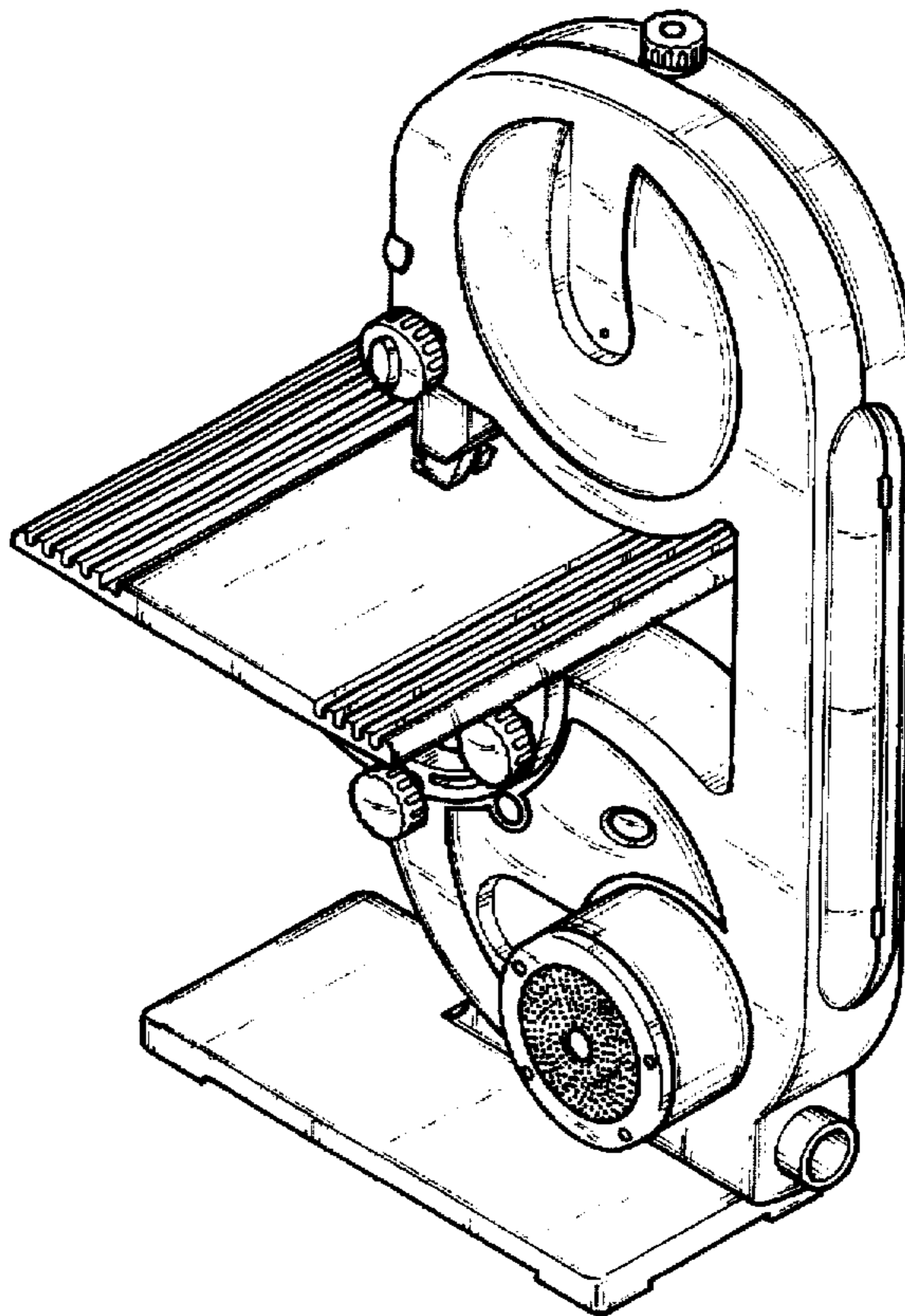
FIG. 1 is a rear, top, left perspective view of a bandsaw showing my new ornamental design therefor;
FIG. 2 is a left elevational view thereof;
FIG. 3 is a right elevational view thereof;
FIG. 4 is a front elevational view thereof;
FIG. 5 is a rear elevational view thereof;
FIG. 6 is a top plan view thereof; and,
FIG. 7 is a bottom plan view thereof.

[56] **References Cited**

U.S. PATENT DOCUMENTS

D. 152,317 1/1949 Biro D15/134
D. 336,653 6/1993 Baird et al. D15/134

1 Claim, 7 Drawing Sheets



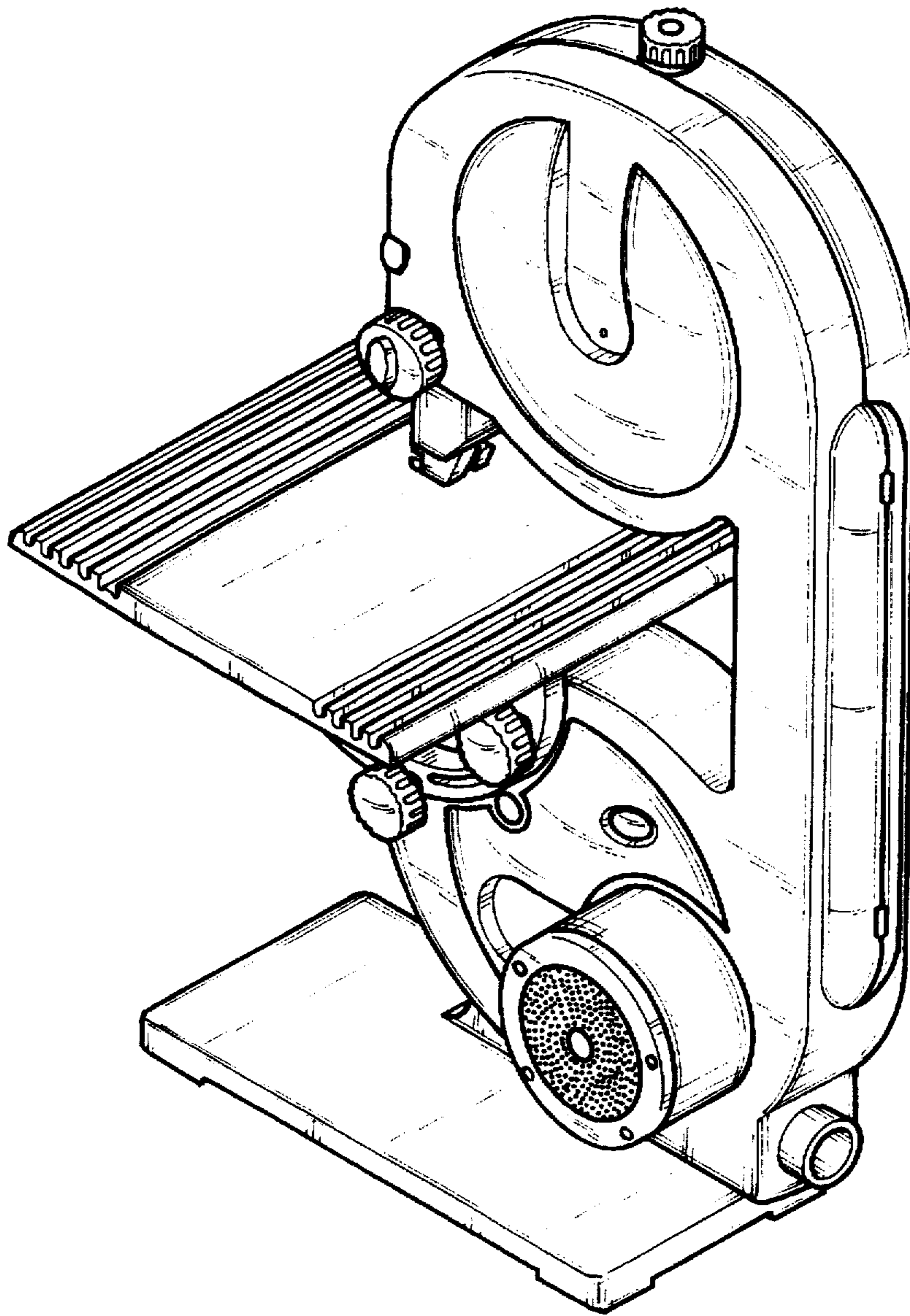


FIG. 1

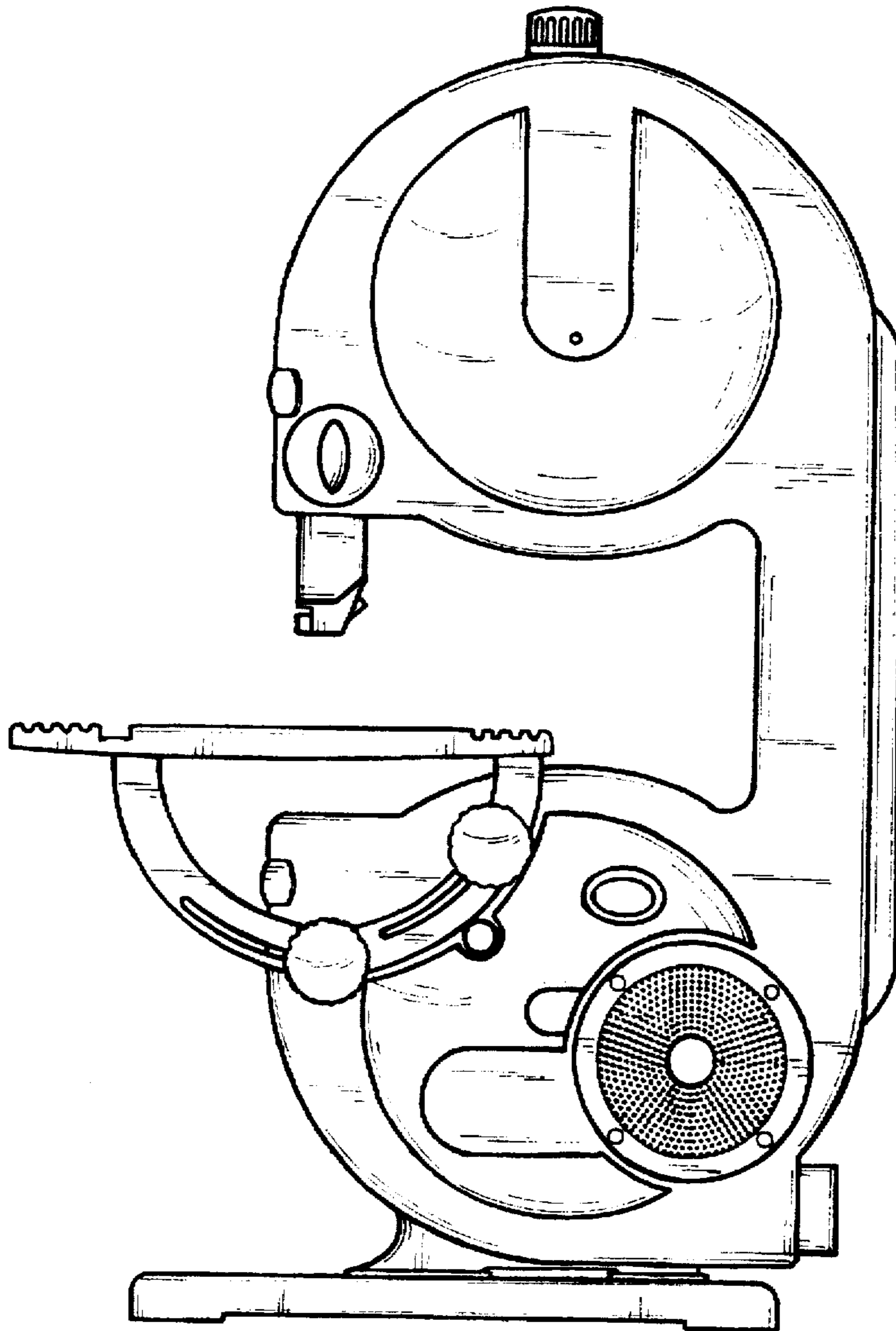


FIG. 2

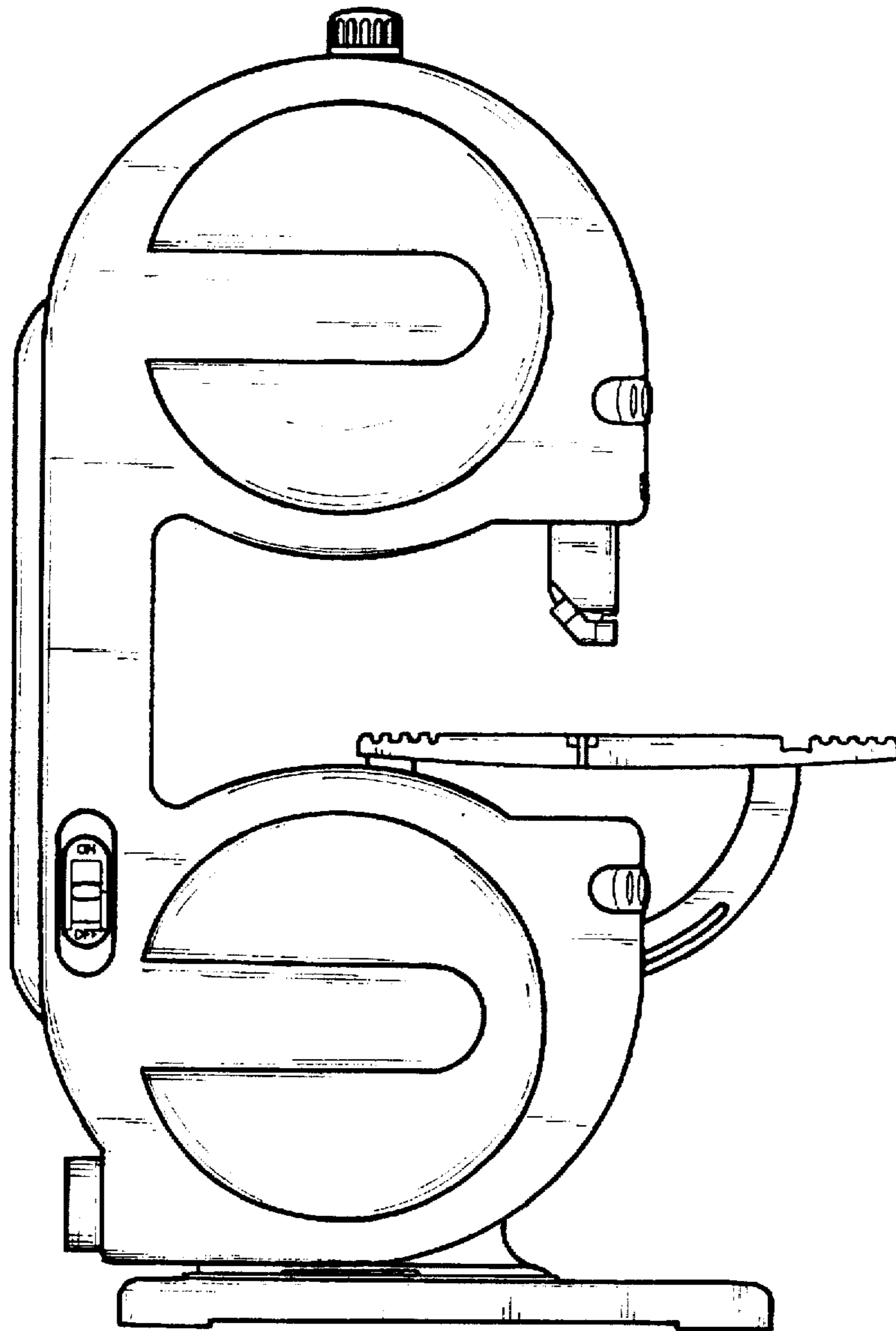


FIG.3

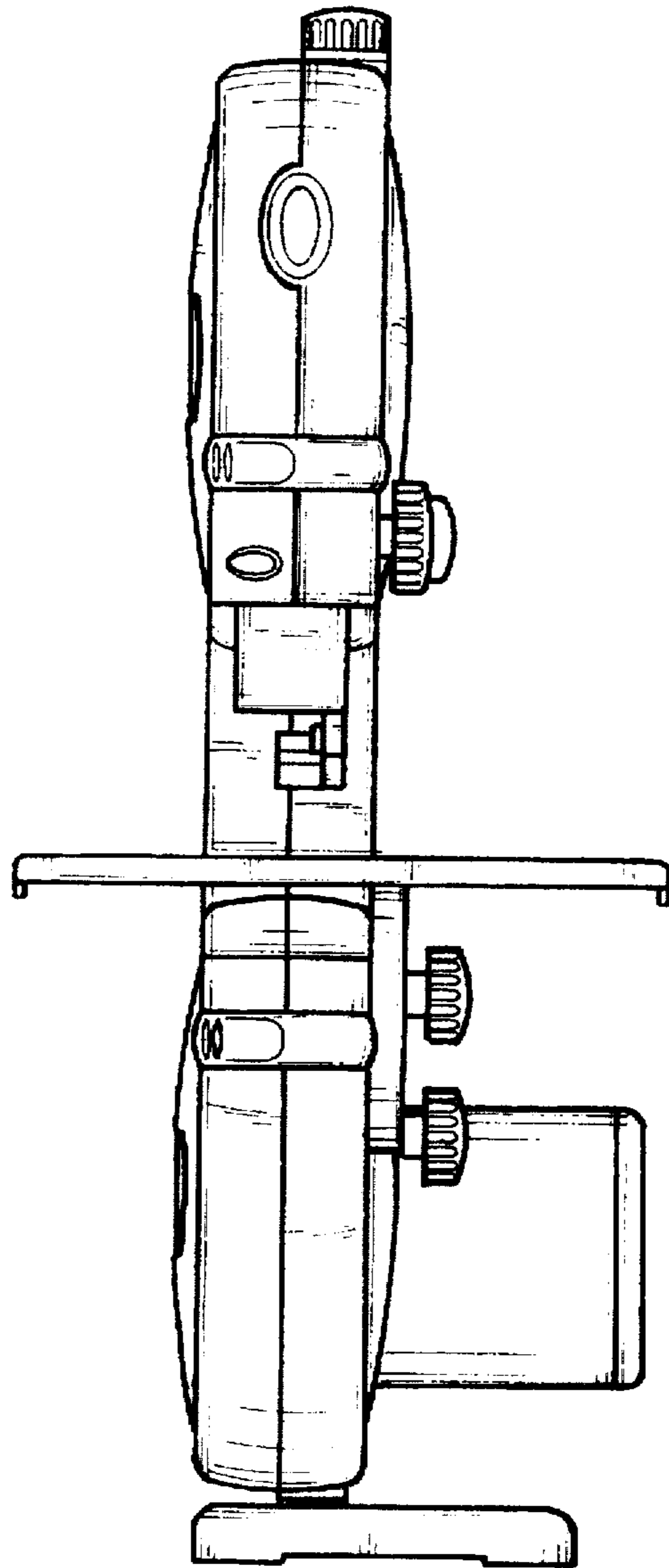


FIG. 4

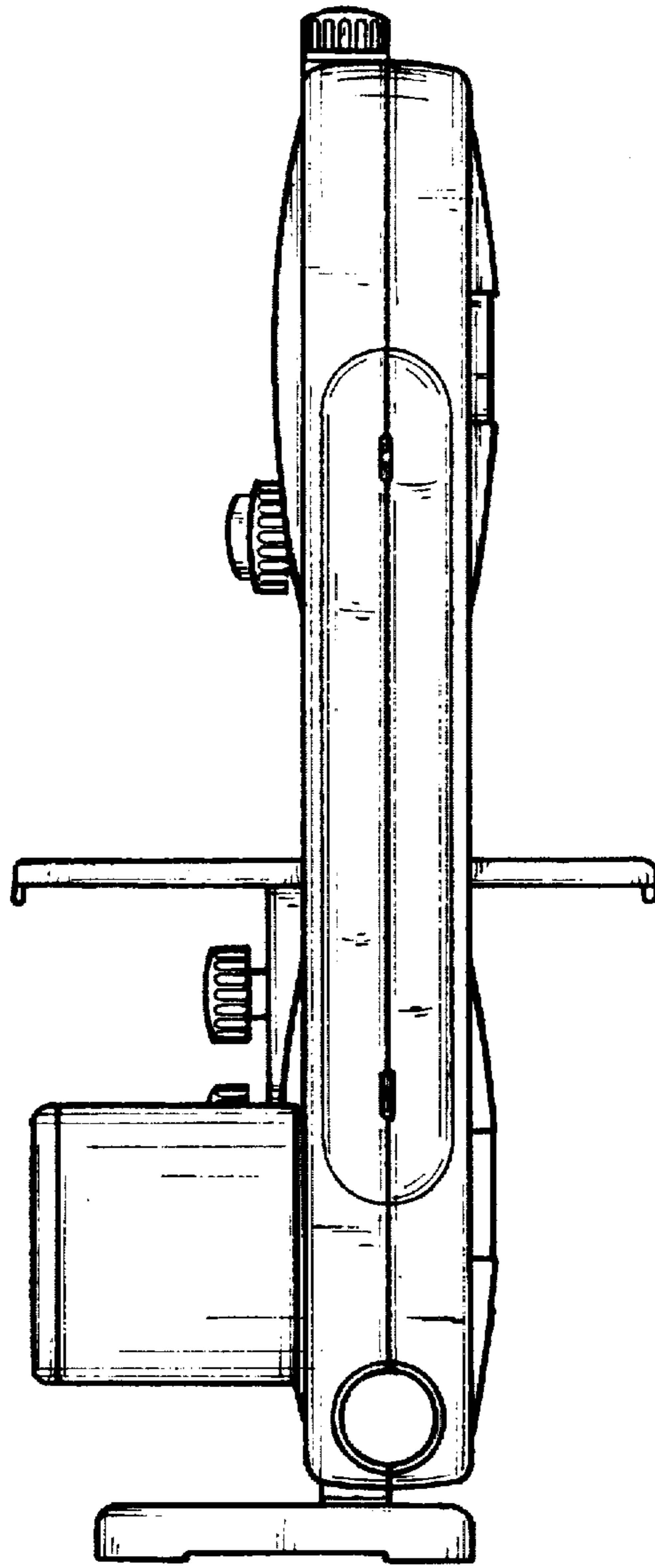


FIG. 5

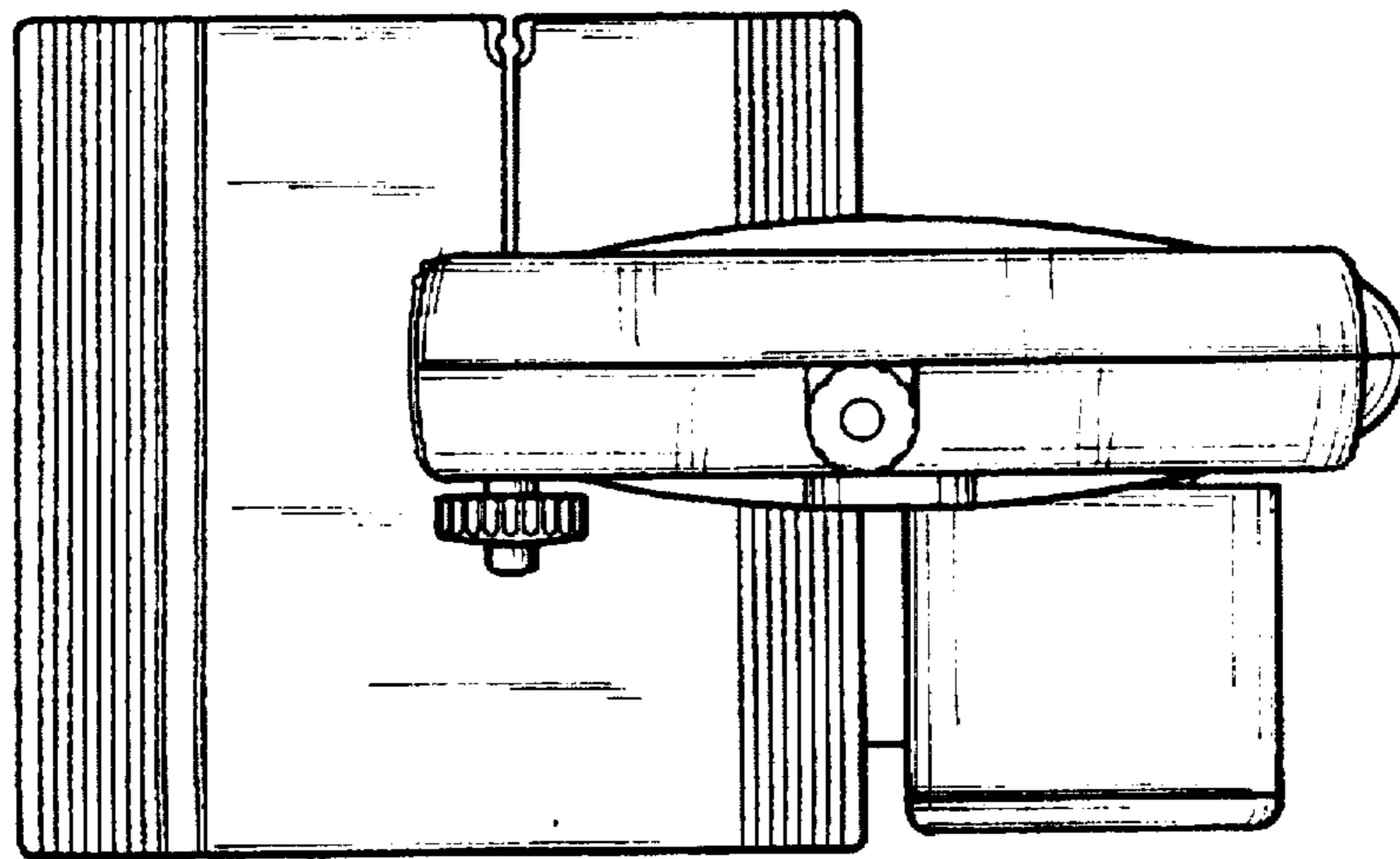


FIG. 6

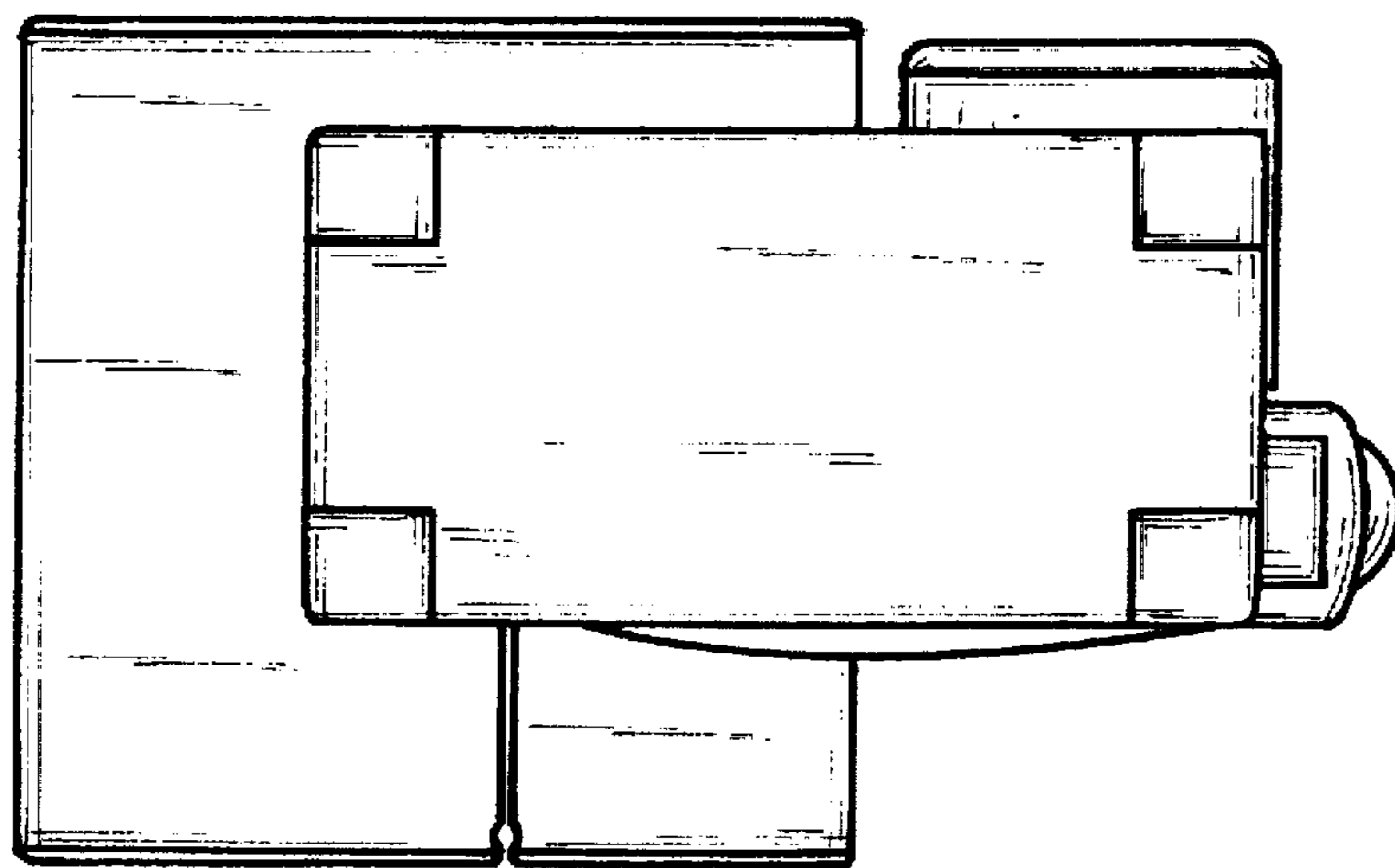


FIG. 7