



US00D389494S

**United States Patent** [19]  
**Chen**

[11] **Patent Number:** **Des. 389,494**

[45] **Date of Patent:** **\*\*Jan. 20, 1998**

[54] **MITER SAW**

[75] **Inventor:** **Ruey-Zon Chen, Taichung, Taiwan**

[73] **Assignee:** **Rexon Industrial Corp., Ltd.,  
Taichung, Taiwan**

[\*\*] **Term:** **14 Years**

[21] **Appl. No.:** **61,953**

[22] **Filed:** **Nov. 4, 1996**

[51] **LOC (6) Cl.** ..... **15-09**

[52] **U.S. Cl.** ..... **D15/133**

[58] **Field of Search** ..... **D15/133; 83/468.3,  
83/471.1, 471.2, 471.3, 471.4, 477, 581,  
776-783**

[56] **References Cited**

**U.S. PATENT DOCUMENTS**

D. 295,823	5/1988	Brickner, Jr. et al. ....	D15/133
D. 374,803	10/1996	Terpstra et al. ....	D15/133
4,537,105	8/1985	Bergler .....	83/471.3
5,042,348	8/1991	Brundage et al. ....	83/471.3
5,129,300	7/1992	Kawakami .....	83/471.2
5,370,025	12/1994	Itzov .....	83/397

**OTHER PUBLICATIONS**

Sears, Roebuck and Co., *Sears Owner's Manual*, "Sears/Craftsman 10 Inch Miter Saw", pp. 26-29, Aug. 1995.  
Advertisement for Sears/Craftsman® Miter Saws, 1 page, 1996.

*Primary Examiner*—Antoine Duval Davis  
*Attorney, Agent, or Firm*—McCormick, Paulding & Huber

[57] **CLAIM**

The ornamental design for a miter saw, as shown and described.

**DESCRIPTION**

FIG. 1 is a perspective view of a miter saw embodying the design of the present invention;

FIG. 2 is a front elevational view of the miter saw of FIG. 1;

FIG. 3 is a rear elevational view of the miter saw of FIG. 1;

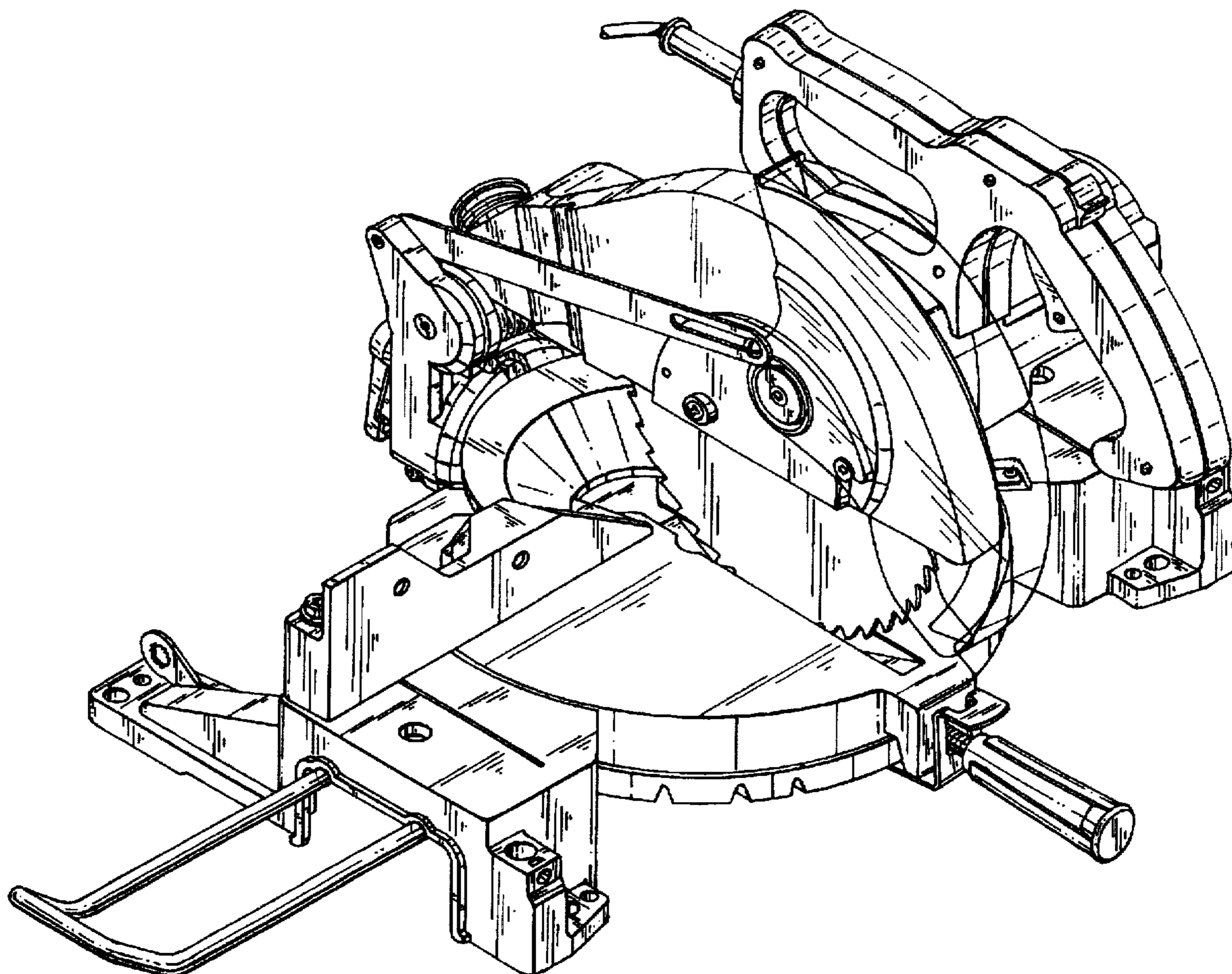
FIG. 4 is a bottom plan view of the miter saw of FIG. 1;

FIG. 5 is a top plan view of the miter saw of FIG. 1;

FIG. 6 is a side elevational view of the miter saw viewed from the left side of FIG. 1; and,

FIG. 7 is a side elevational view of the miter saw viewed from the right side of FIG. 1.

**1 Claim, 7 Drawing Sheets**



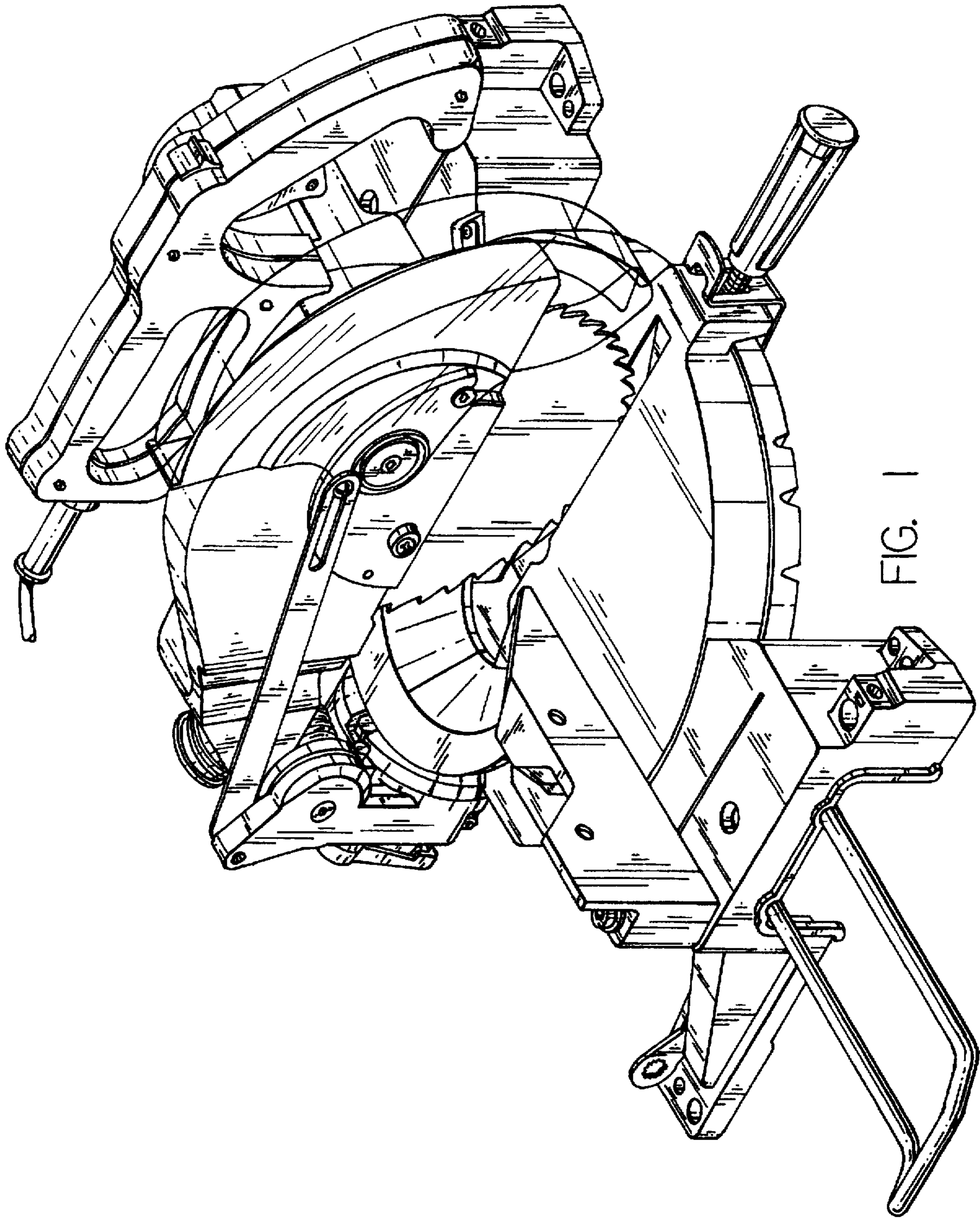


FIG. 1

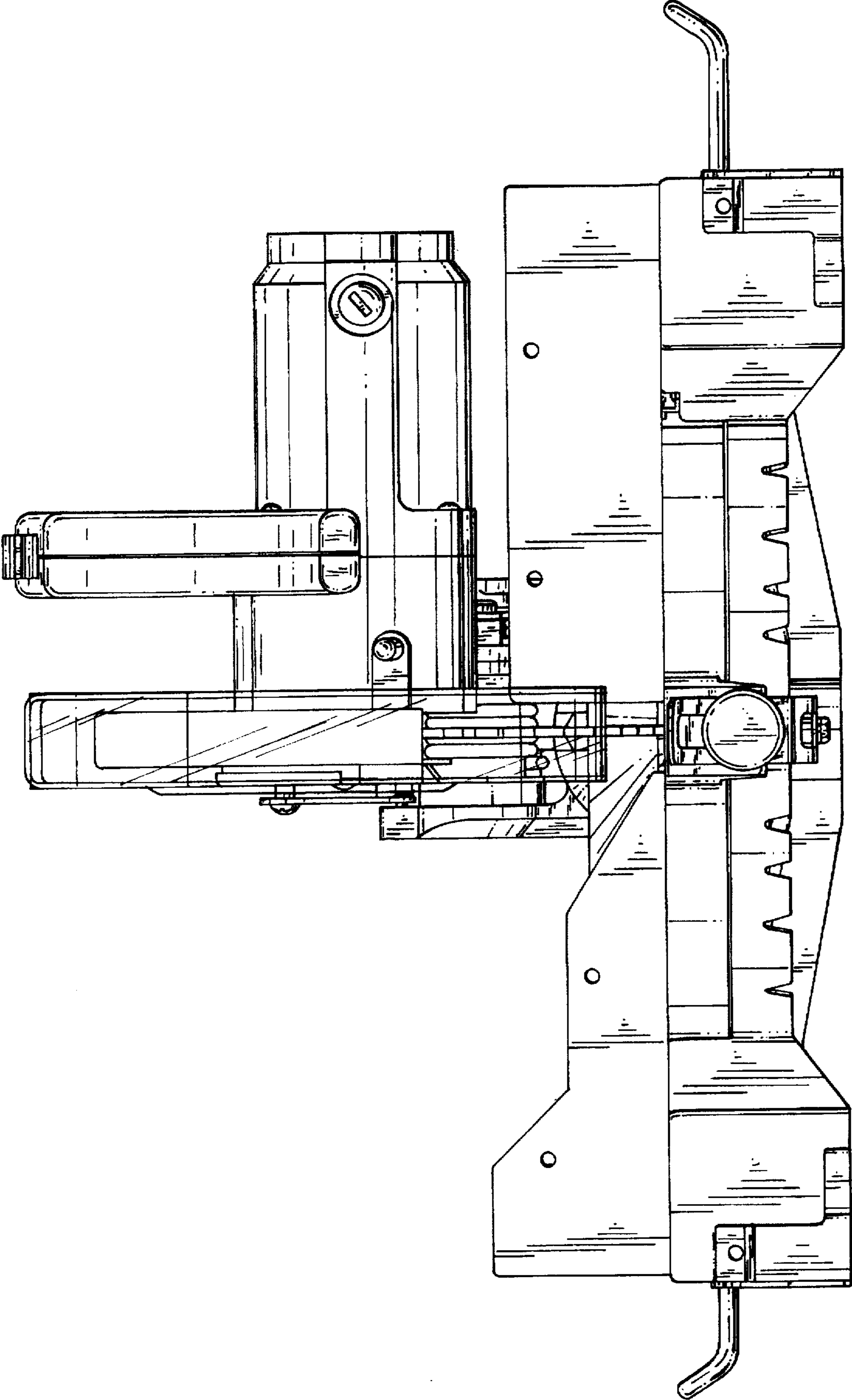


FIG. 2

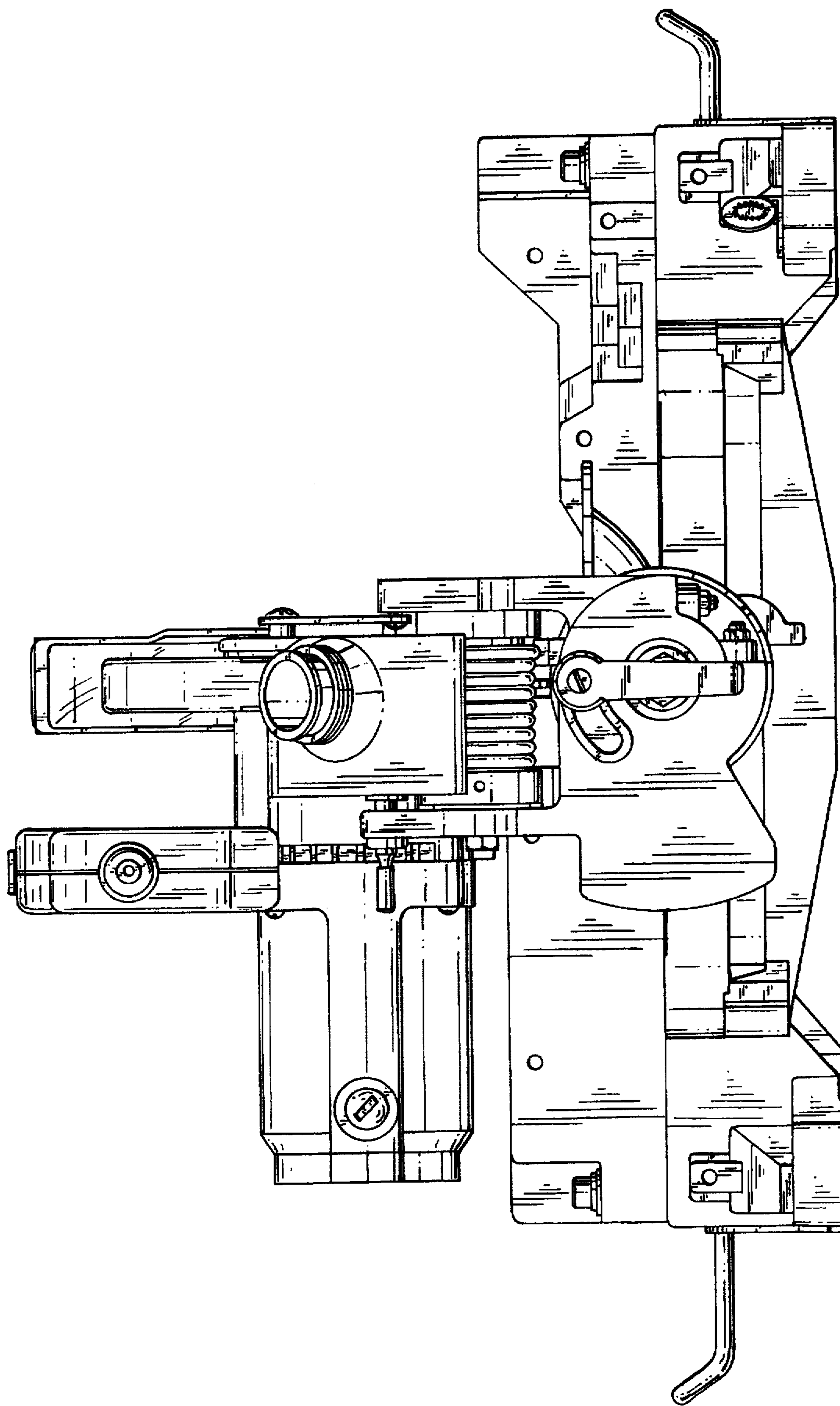


FIG. 3

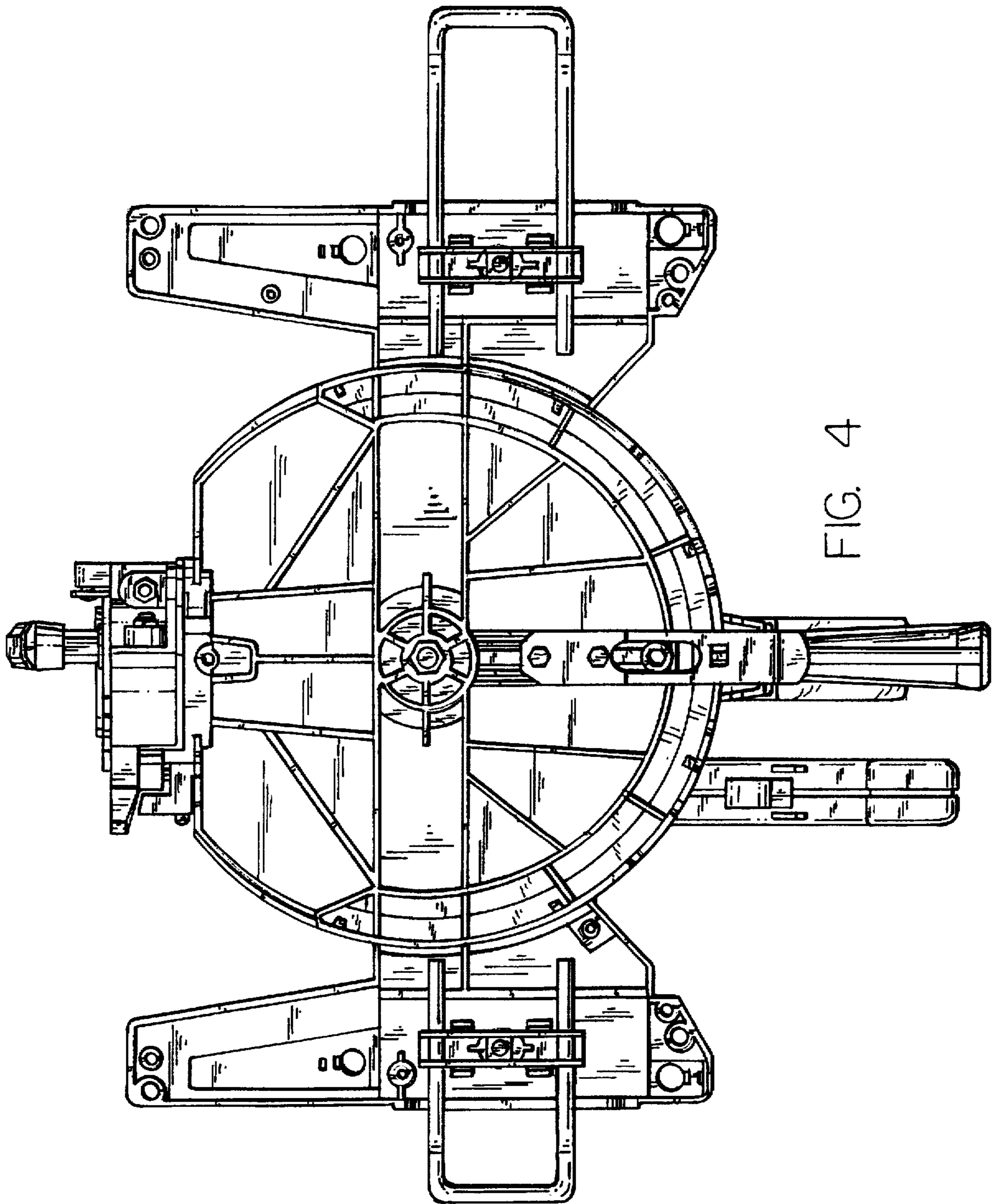


FIG. 4

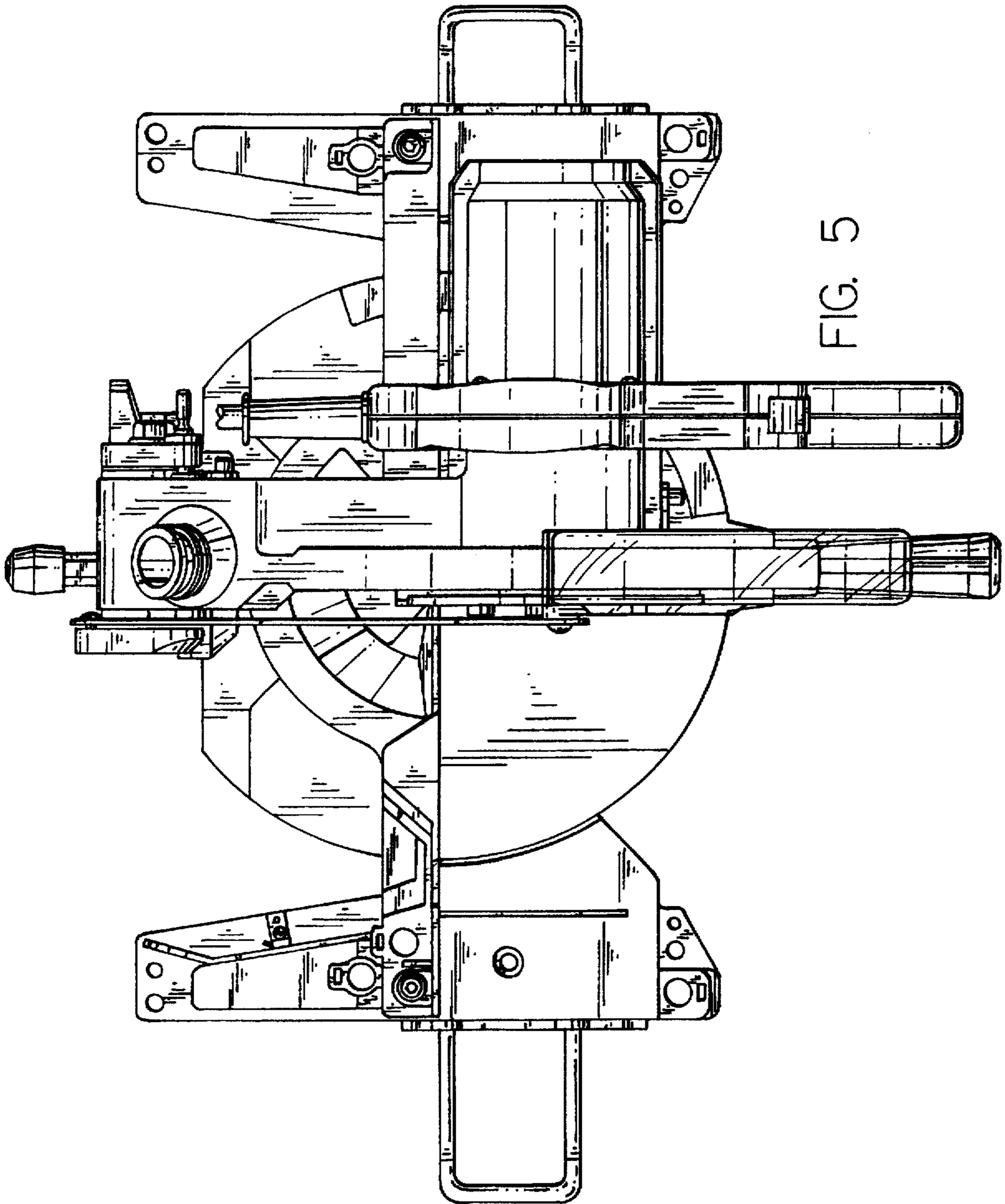


FIG. 5

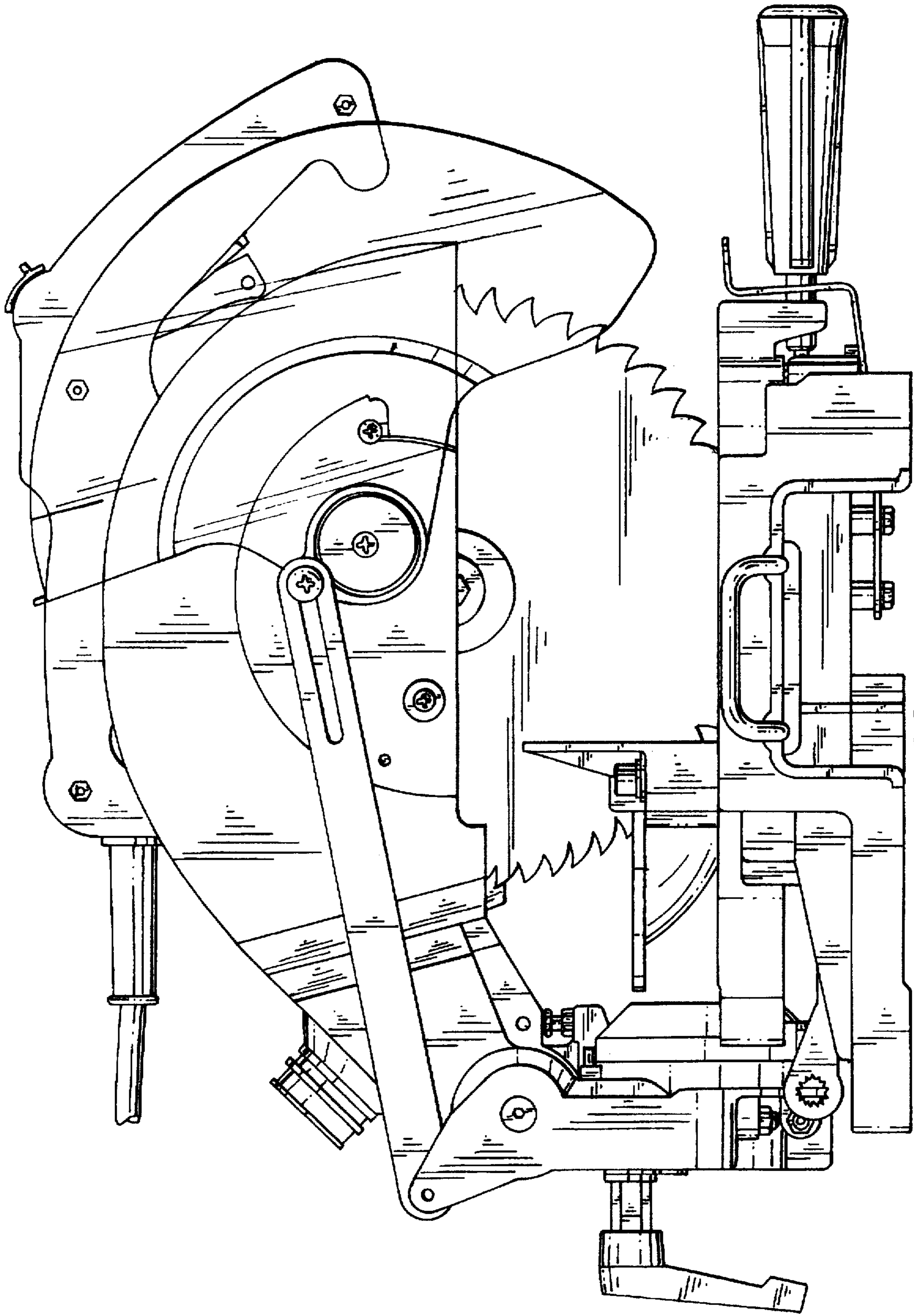


FIG. 6

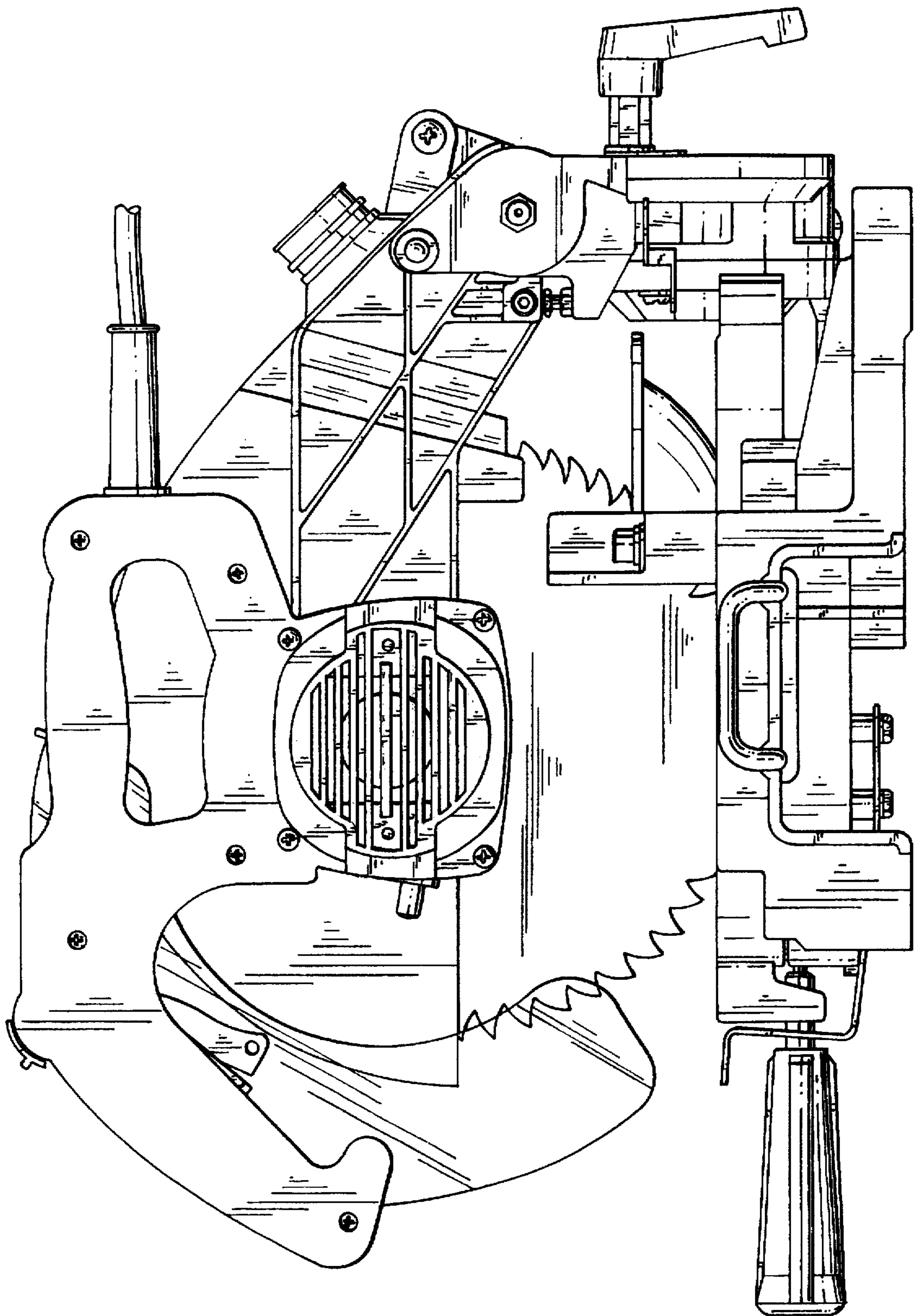


FIG. 7