



US00D389493S

United States Patent [19] Orf

[11] **Patent Number: Des. 389,493**
[45] **Date of Patent: **Jan. 20, 1998**

[54] **DIE GRINDER**

[75] **Inventor: Michael Allen Orf, Wentzville, Mo.**

[73] **Assignee: Stanley Mechanics Tools, Inc., Dallas, Tex.**

[**] **Term: 14 Years**

[21] **Appl. No.: 59,807**

[22] **Filed: Sep. 17, 1996**

[51] **LOC (6) Cl. 15-09**

[52] **U.S. Cl. D15/122**

[58] **Field of Search D8/61, 62; 30/276; 69/20, 37; 156/344, 584; 206/576, 374; 279/46.1, 46.2, 102, 906; 488/226; 451/344, 358, 359**

[56] **References Cited**

U.S. PATENT DOCUMENTS

D. 269,846 7/1983 Izumisawa D8/62

D. 357,848 5/1995 Izumisawa D8/62
5,582,041 12/1996 Spiess 30/276 X
5,588,903 12/1996 Pennison 451/344
5,591,070 1/1997 Kachich 451/295

Primary Examiner—Antoine Duval Davis
Attorney, Agent, or Firm—Standley & Gilcrest

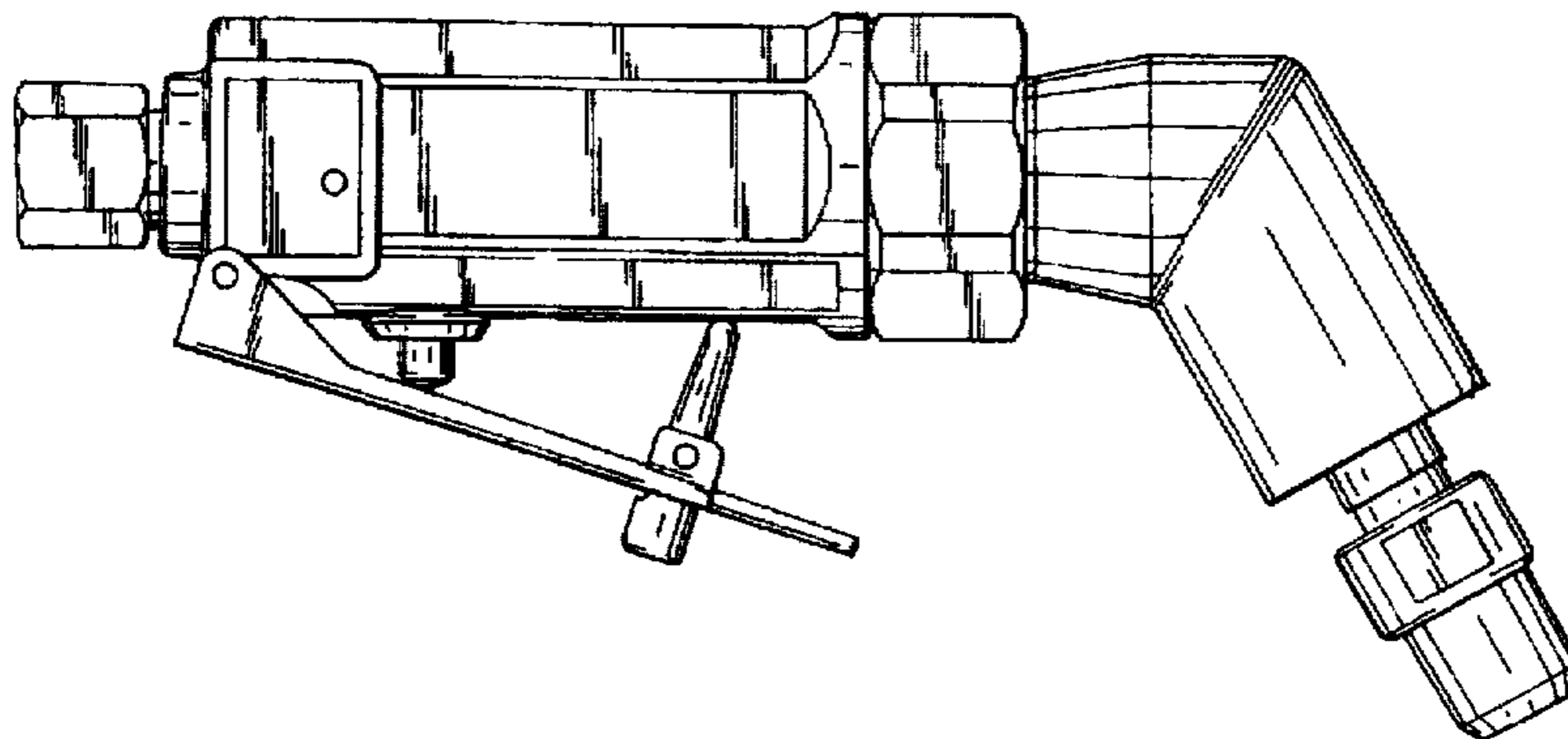
[57] **CLAIM**

The ornamental design for a die grinder, as shown and described.

DESCRIPTION

FIG. 1 is a top plan view of the die grinder of the present invention;
FIG. 2 is a right side view of the die grinder of FIG. 1;
FIG. 3 is a left side view of the die grinder of FIG. 1;
FIG. 4 is a bottom plan view of the die grinder of the present invention;
FIG. 5 is a front view of the die grinder of FIG. 1; and,
FIG. 6 is a back view of the die grinder of FIG. 1.

1 Claim, 4 Drawing Sheets



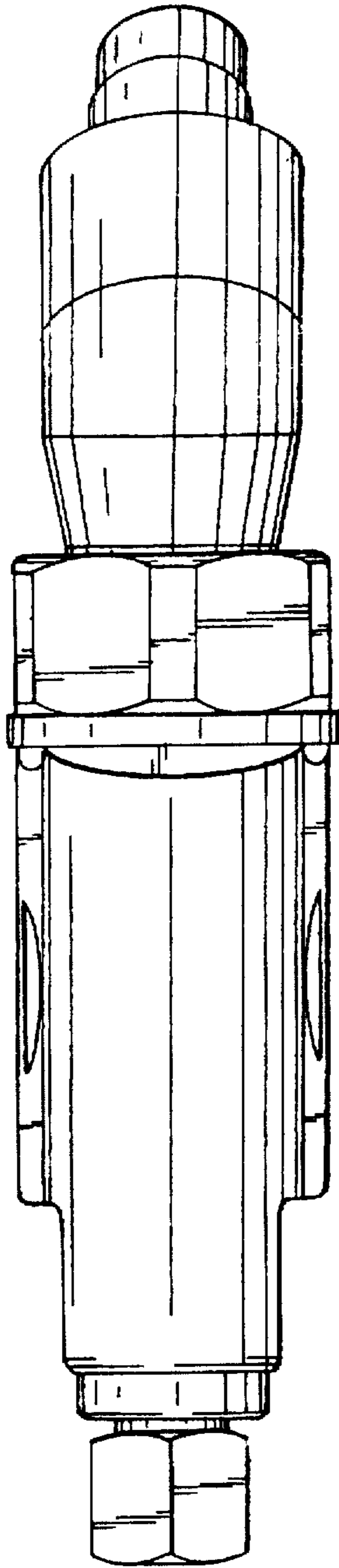


Fig. 1

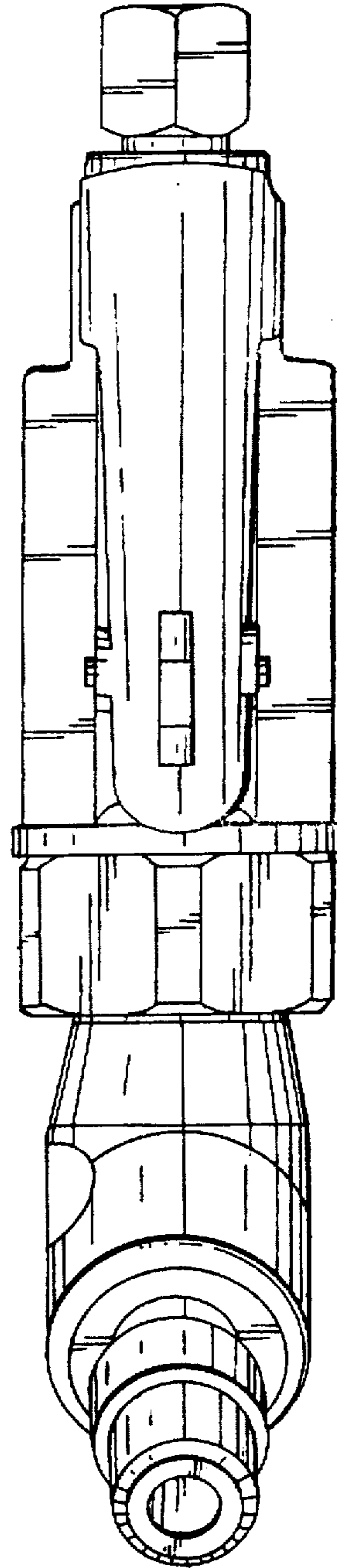


Fig. 4

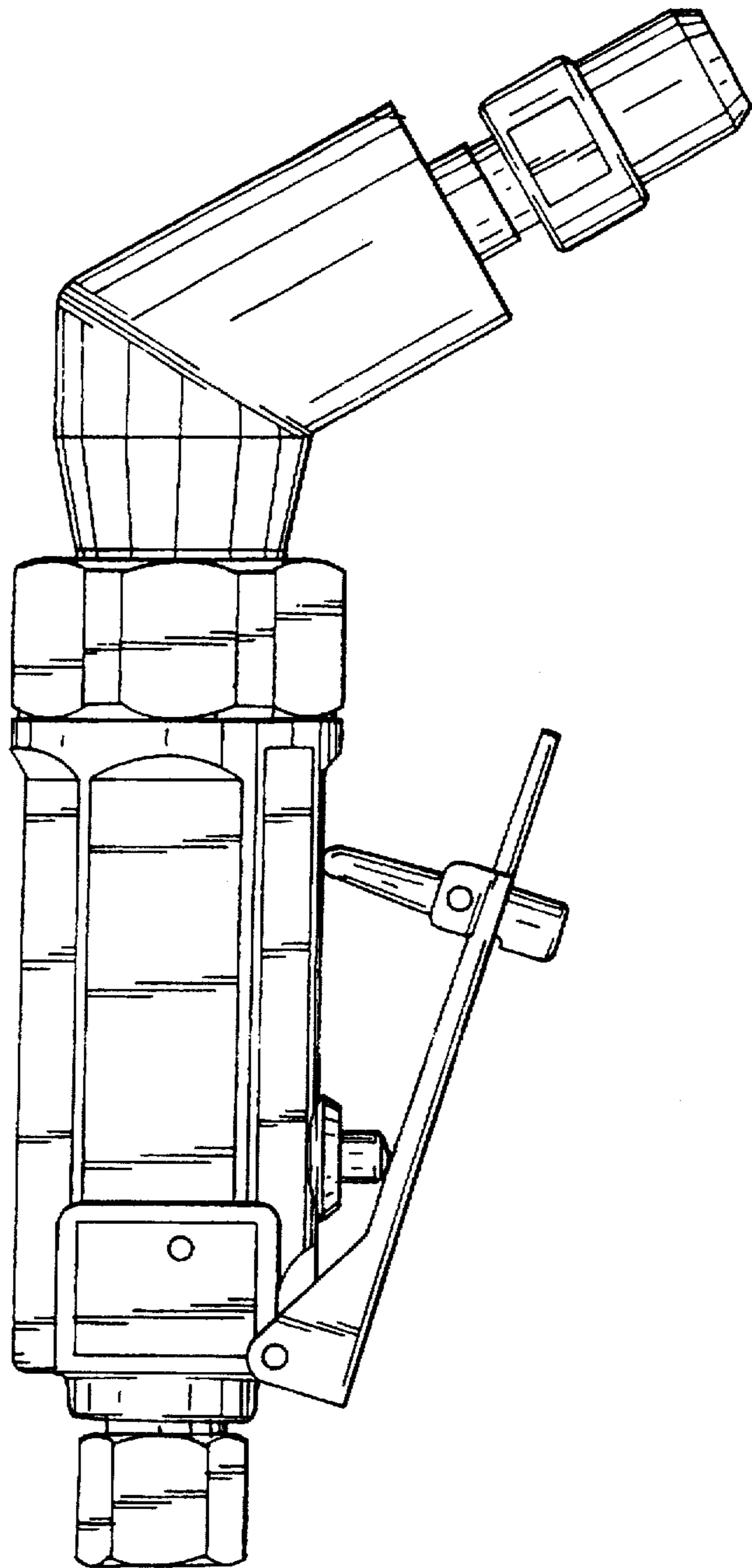


Fig. 2

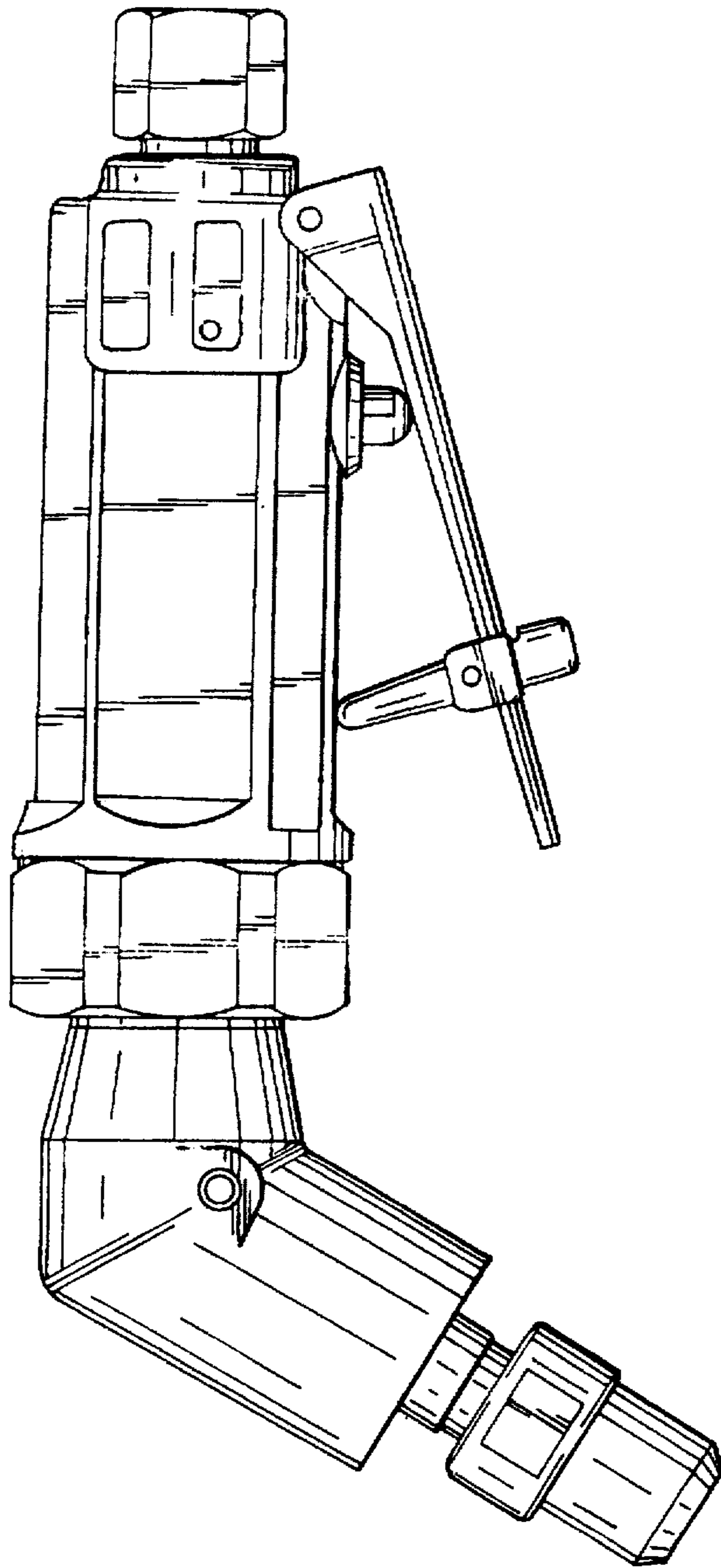


Fig. 3

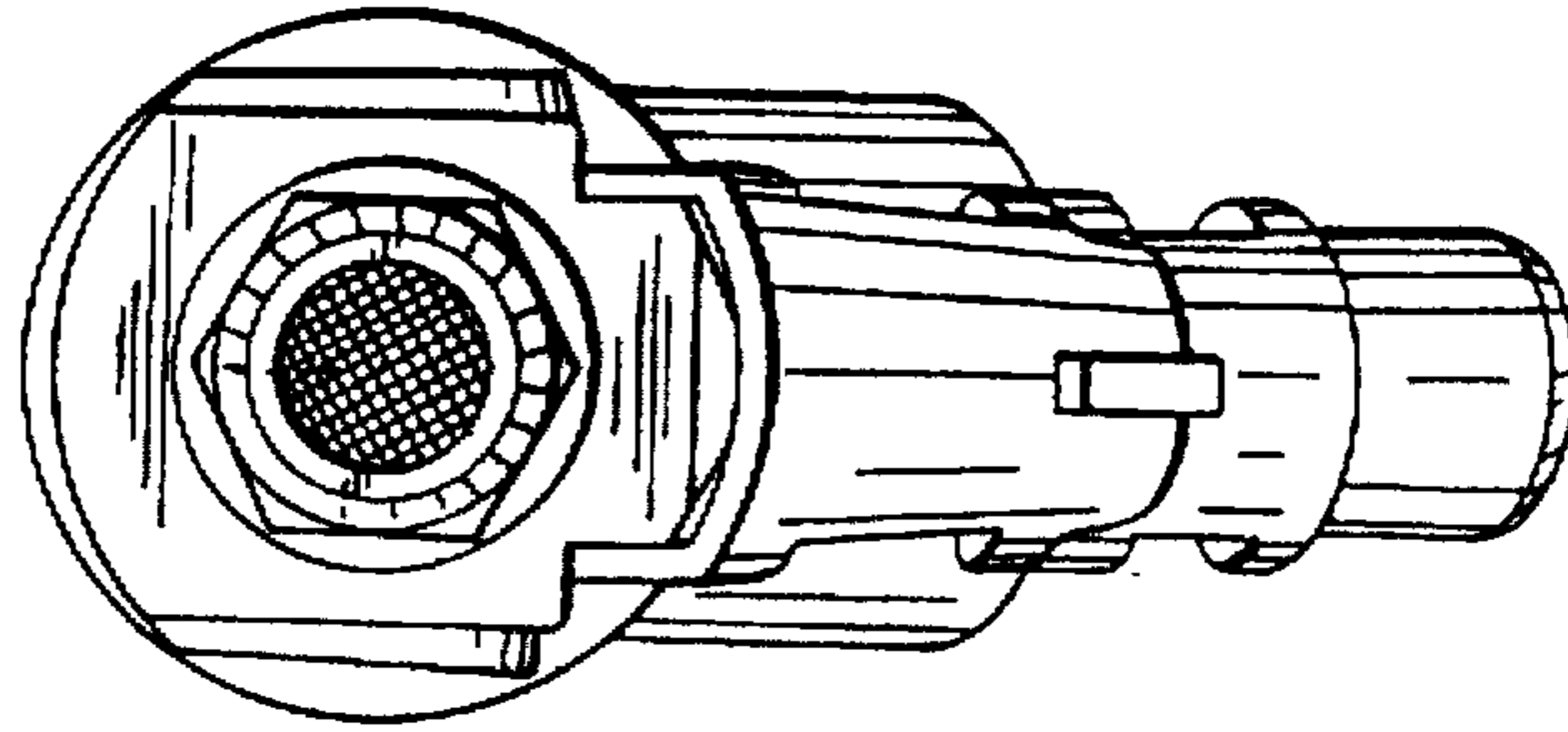


Fig. 6

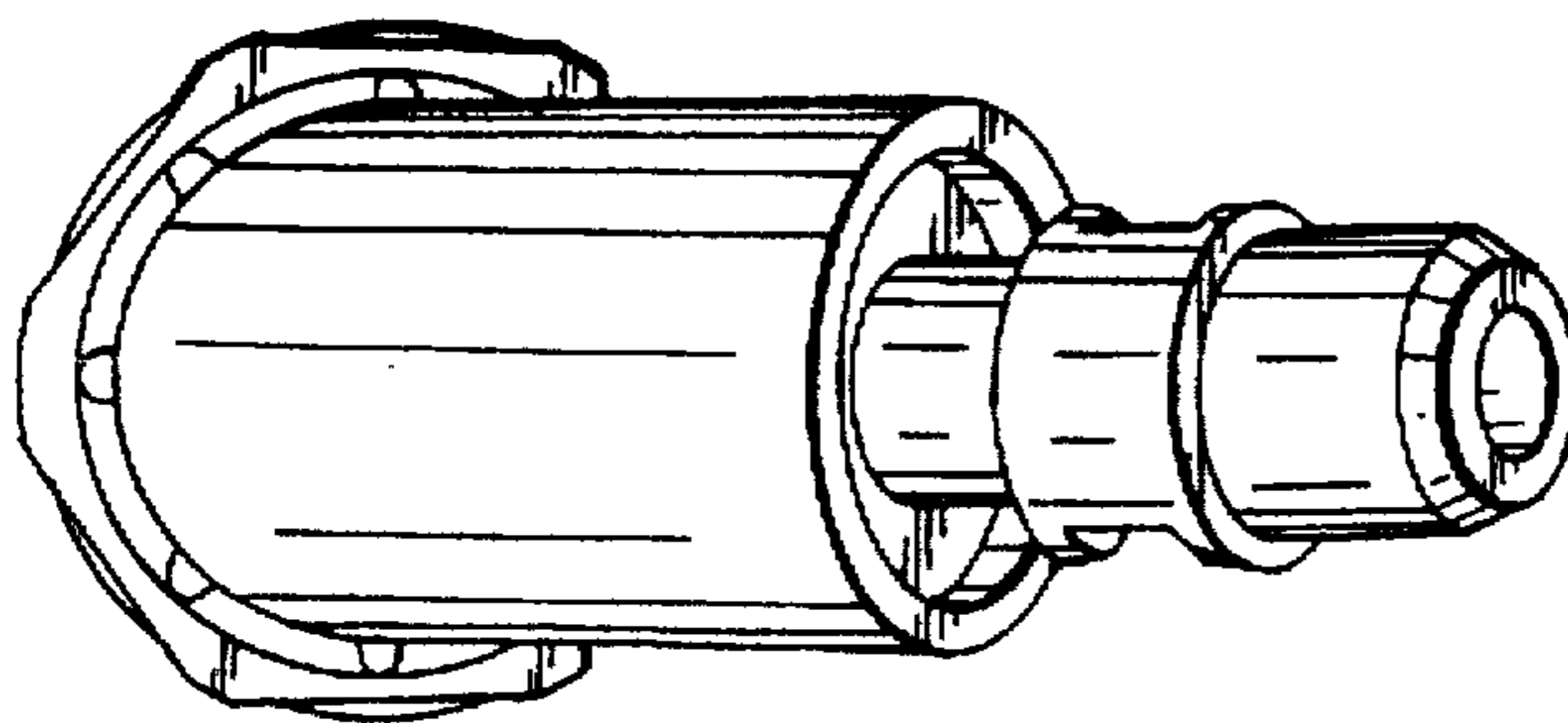


Fig. 5