



US00D389491S

# United States Patent [19] Wolf

[11] Patent Number: **Des. 389,491**  
[45] Date of Patent: **\*\*Jan. 20, 1998**

## [54] MOWER STEERING COLUMN

[75] Inventor: **Bradley John Wolf**, N. Royalton, Ohio

[73] Assignee: **MTD Products Inc.**

[\*\*] Term: **14 Years**

[21] Appl. No.: **59,237**

[22] Filed: **Sep. 5, 1996**

[51] LOC (6) Cl. .... **15-03**

[52] U.S. Cl. .... **D15/17; D12/175**

[58] Field of Search ..... **D15/14-17; 56/17.5, 56/249, 255, 295, 320.1, 320.2; D12/174-177**

## [56] References Cited

### U.S. PATENT DOCUMENTS

D. 293,683	1/1988	Mizushima et al. ....	D15/15
D. 340,459	10/1993	Kawakita et al. ....	D15/15
D. 344,958	3/1994	Patterson et al. ....	D15/17
5,136,829	8/1992	Sebben et al. ....	D15/15

## OTHER PUBLICATIONS

1995 John Deere Season Savings Brochure, cover, John Deere 6X75 Mower, right.

*Primary Examiner*—Sandra L. Morris

## [57] CLAIM

The ornamental design for a mower steering column, as shown and described.

## DESCRIPTION

FIG. 1 is a left side elevational view of a riding mower, showing my new design;

FIG. 2 is a top plan view thereof;

FIG. 3 is a right side elevational view thereof;

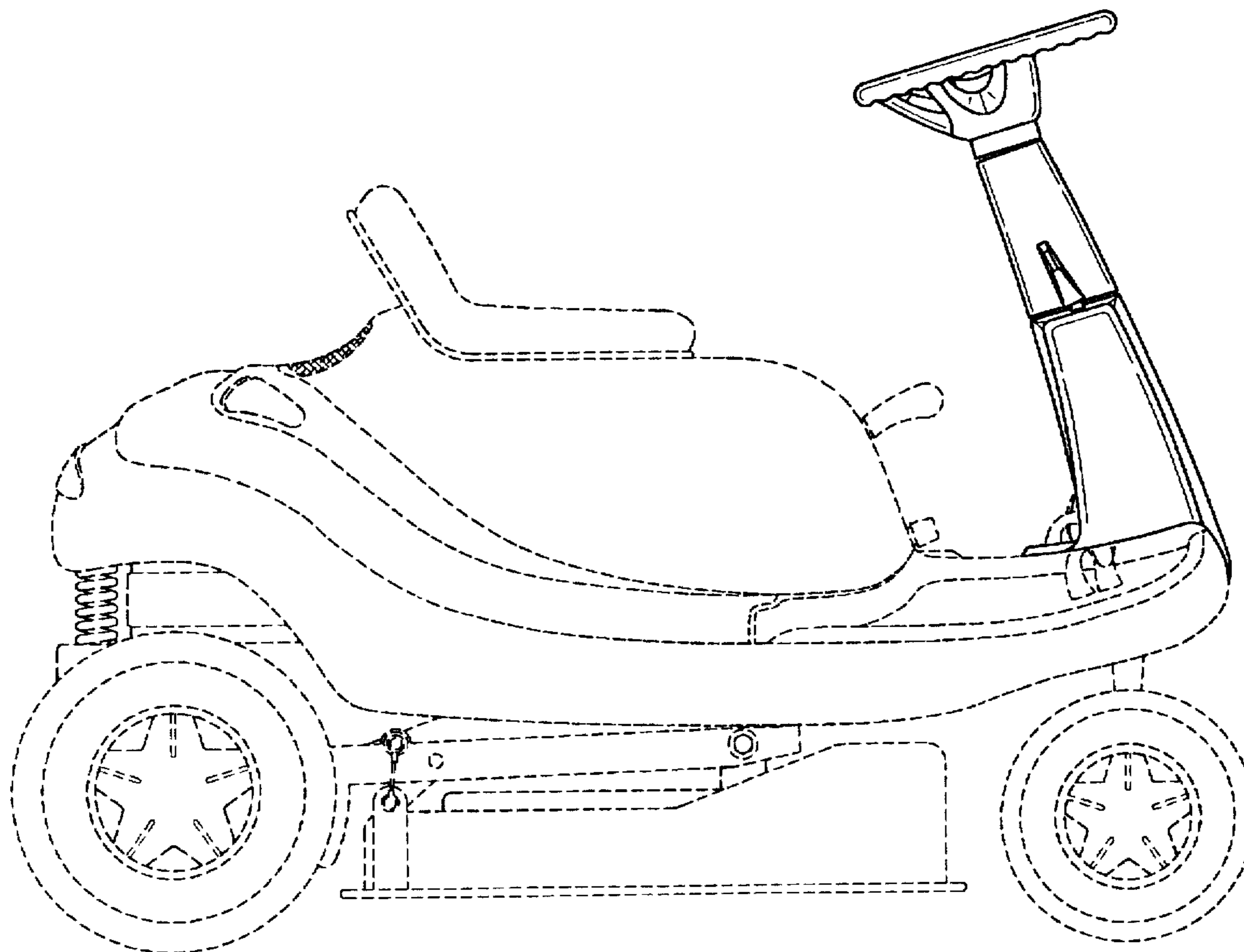
FIG. 4 is a front view thereof; and,

FIG. 5 is a rear view thereof.

The broken line showing of the mower is for illustrative purposes only, and forms no part of the claimed design.

FIGS. 2-5 are shown on an enlarged scale.

**1 Claim, 3 Drawing Sheets**



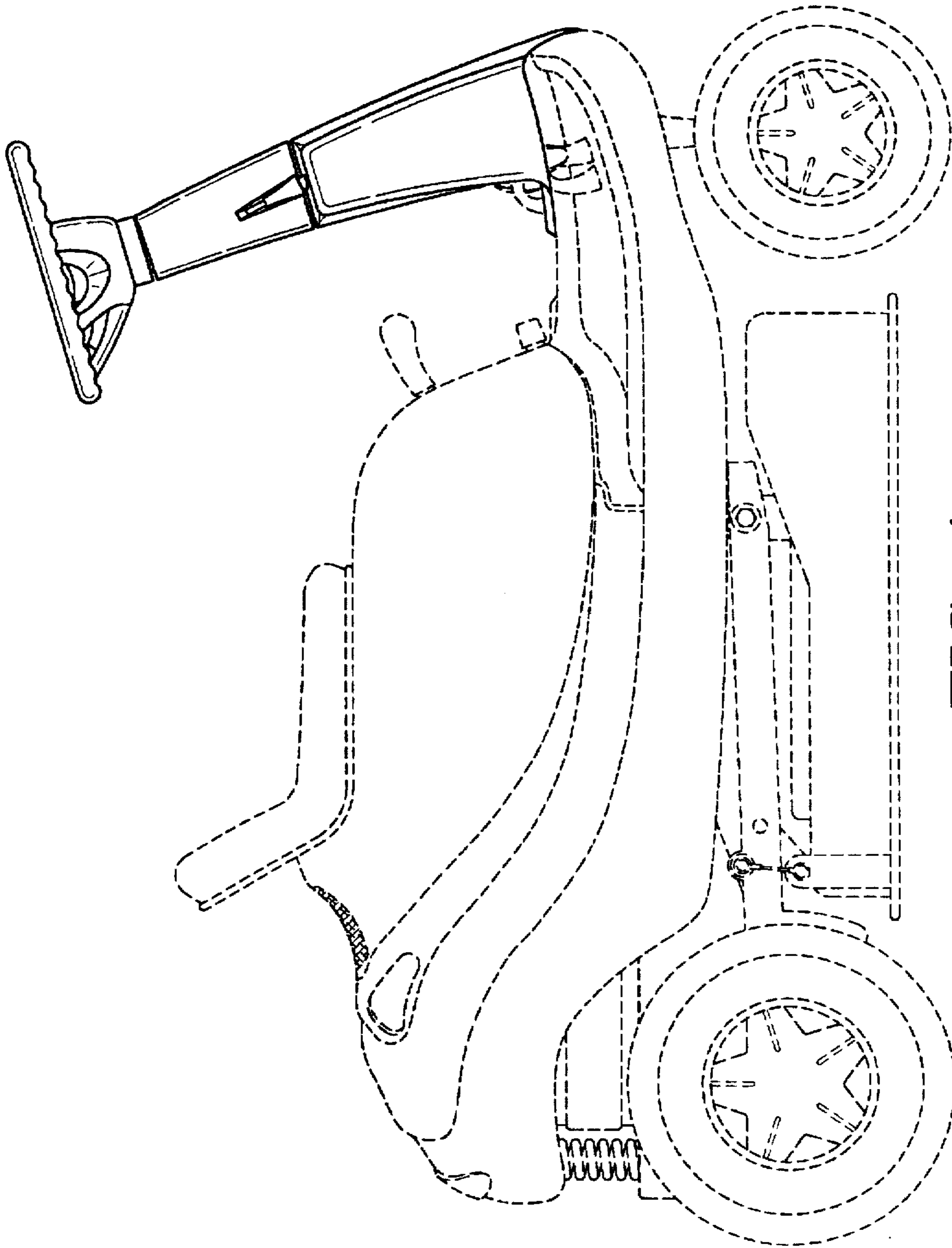


FIG-1

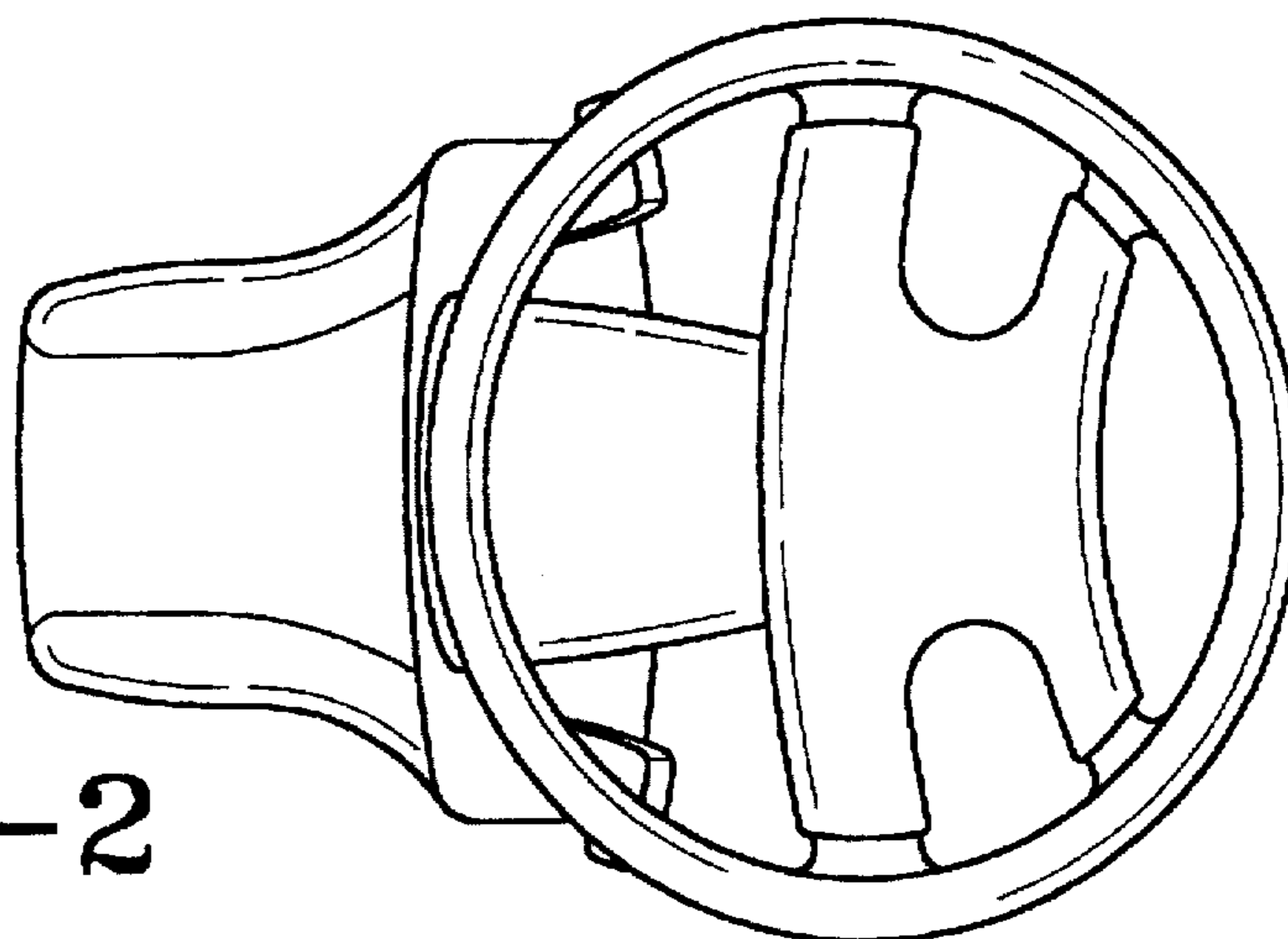


FIG-2

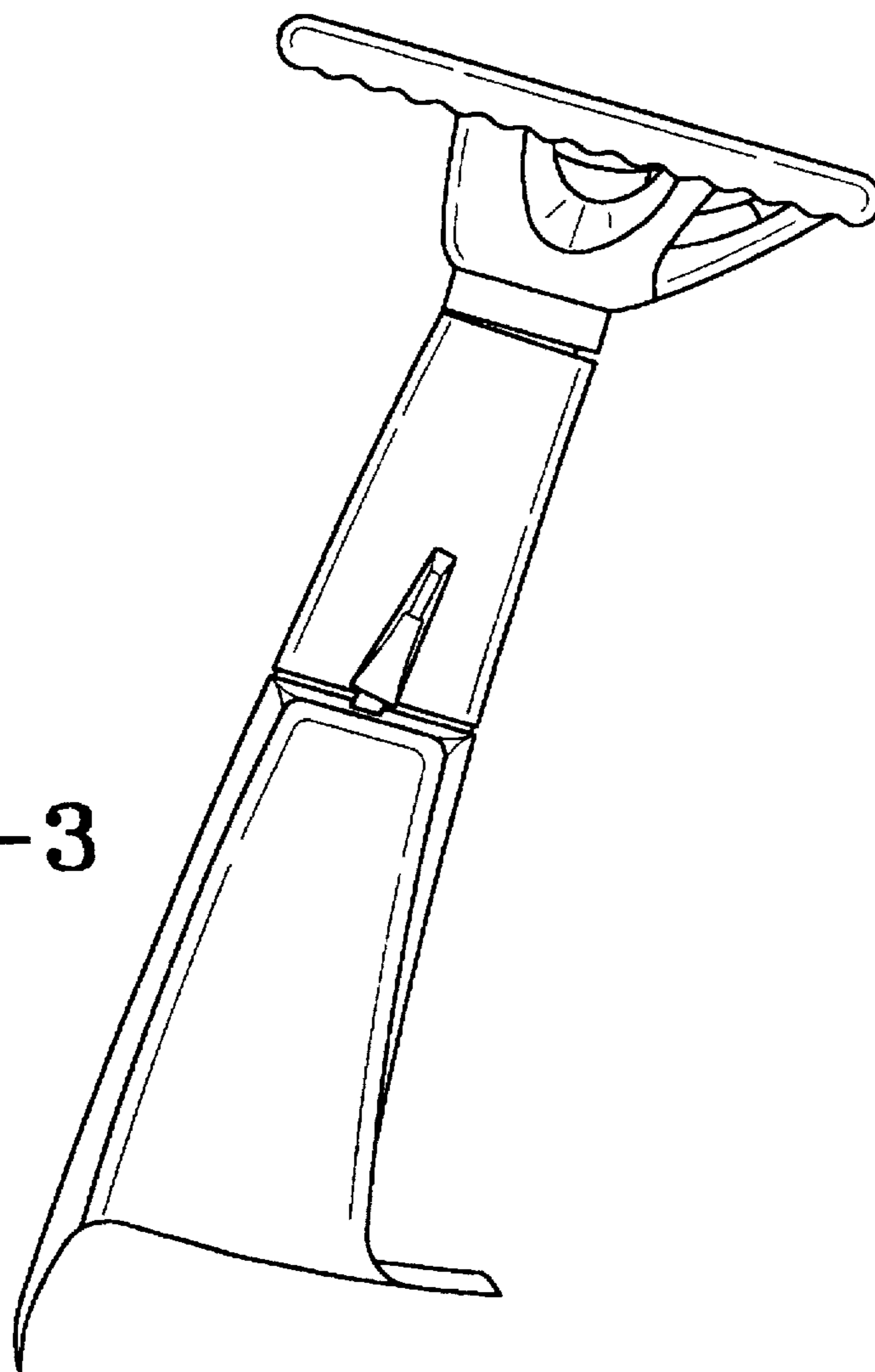


FIG-3

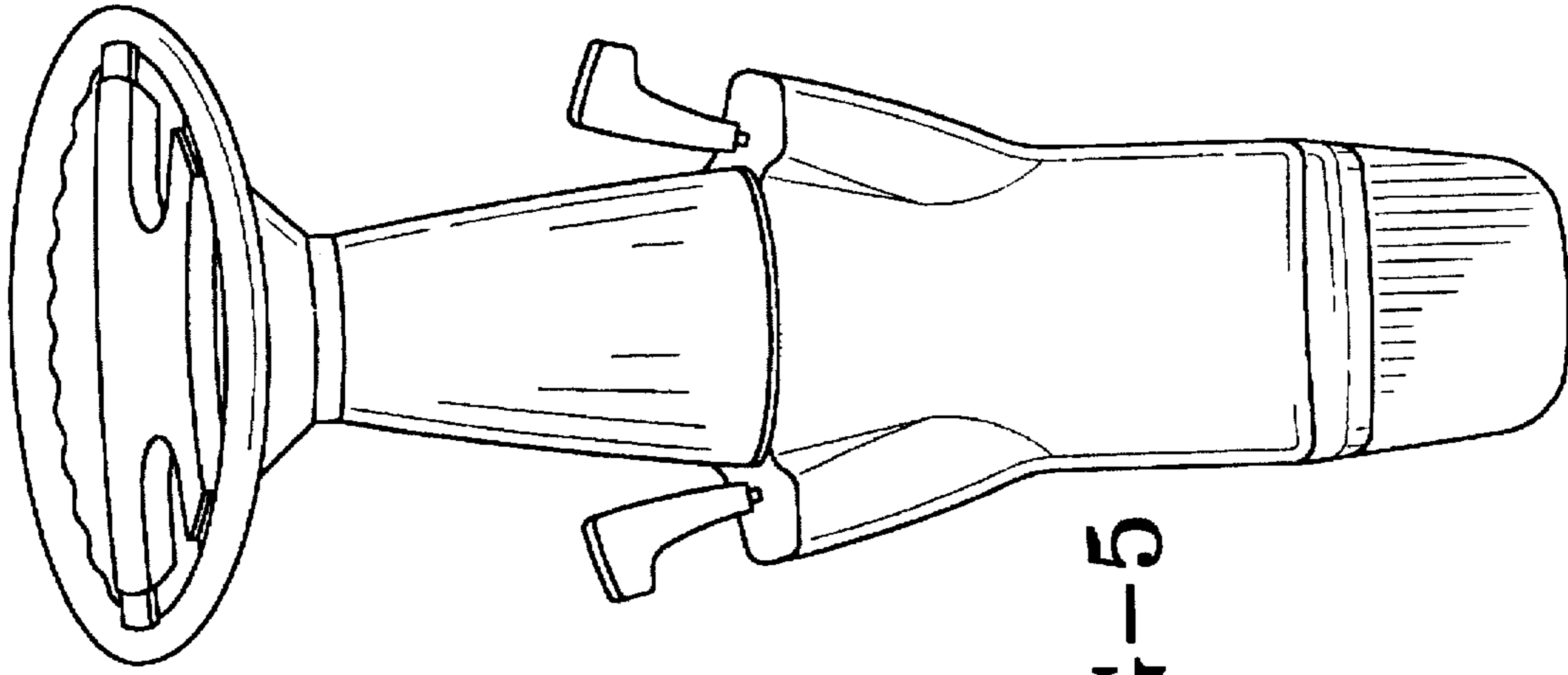


FIG-5

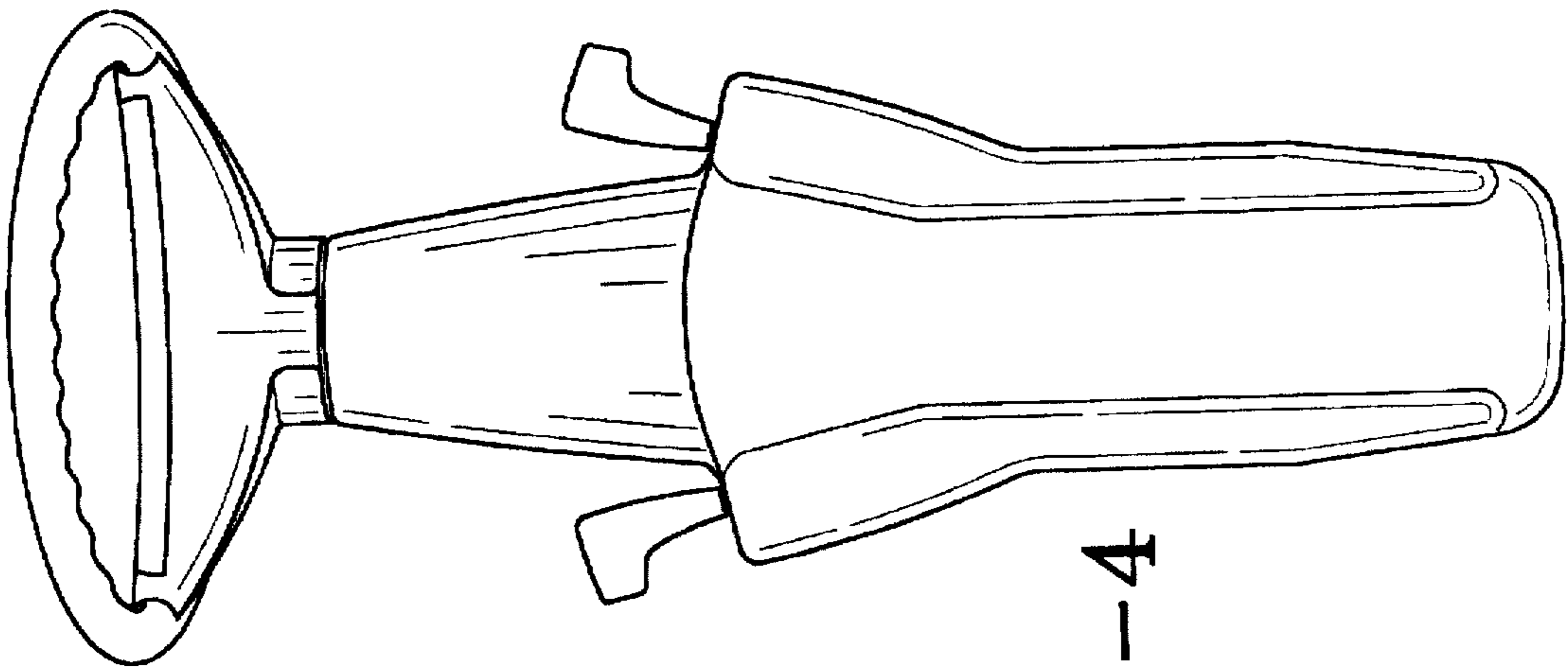


FIG-4