



US00D389483S

United States Patent [19]

Christie et al.

[11] Patent Number: Des. 389,483

[45] Date of Patent: **Jan. 20, 1998

[54] HOUSING FOR LOUDSPEAKER

[75] Inventors: Cary Christie, Incline Village, Nev.;
Kimberly Nielsen, Chatsworth, Calif.

[73] Assignee: Christie Design Corp., Benicia, Calif.

[**] Term: 14 Years

[21] Appl. No.: 53,630

[22] Filed: Apr. 26, 1996

[51] LOC (6) Cl. 14-01

[52] U.S. Cl. D14/214

[58] Field of Search D14/204, 209-214,
D14/207, 219, 299; D23/332; 181/144-145,
148, 150, 157, 198, 199; 381/24, 88, 90,
153, 159, 186, 188

[56] References Cited

U.S. PATENT DOCUMENTS

- D. 242,474 11/1976 Croup D14/214 X
- D. 256,914 9/1980 Rams D14/214 X
- D. 348,267 6/1994 Yurkonis et al. D14/214

OTHER PUBLICATIONS

High Fidelity Loudspeaker catalog, front page, ADS L200C and L300C Speakers, 1978.

Primary Examiner—Ted Shooman
Assistant Examiner—Nanda Bondade
Attorney, Agent, or Firm—Levisohn, Lerner, Berger & Langsam

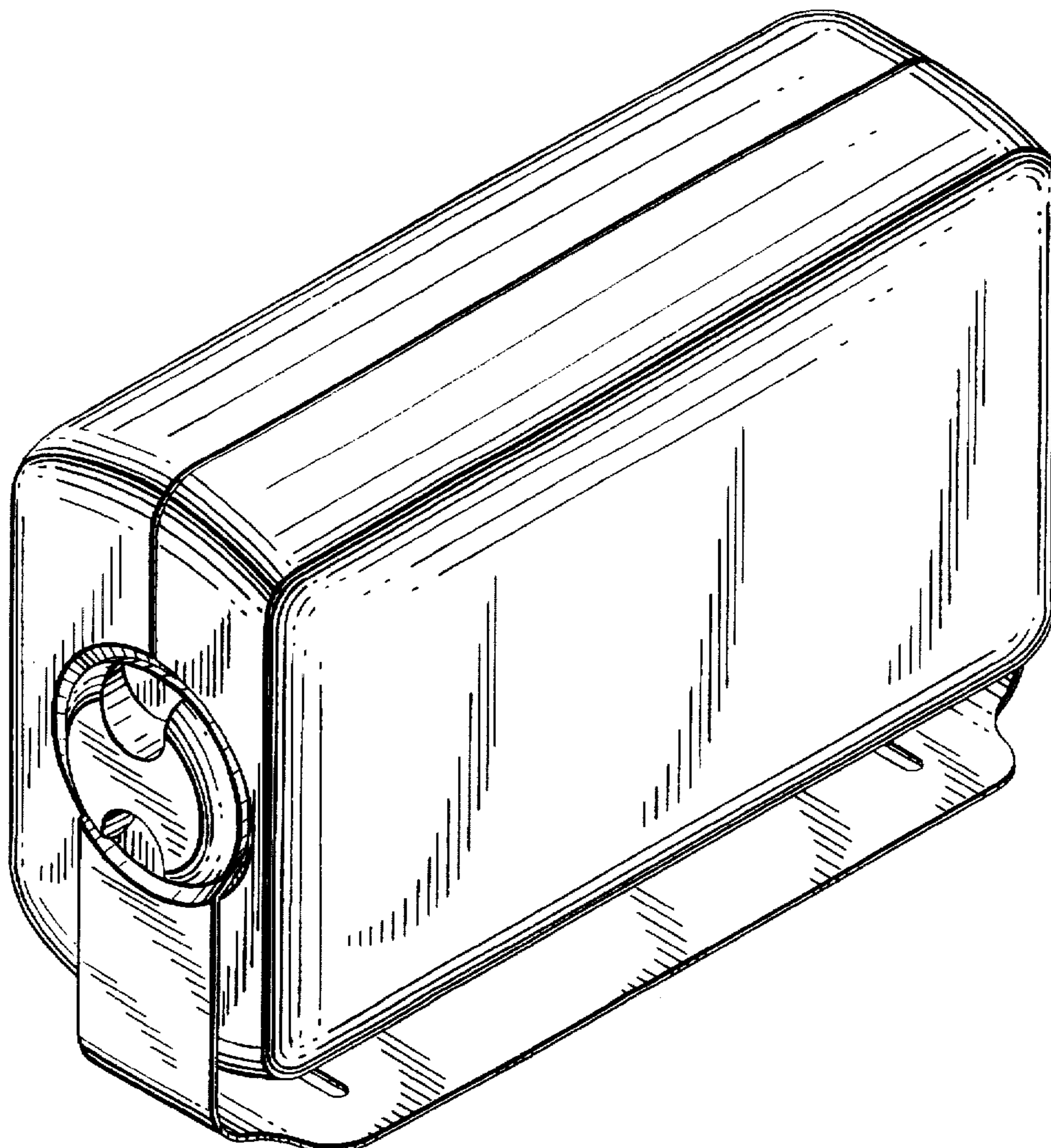
[57] CLAIM

The ornamental design for a housing for loudspeaker, as shown and described.

DESCRIPTION

FIG. 1 is a perspective view of a housing for loudspeaker showing our new design;
FIG. 2 is a front elevational view thereof;
FIG. 3 is a top plan view thereof;
FIG. 4 is a left side elevational view thereof; and,
FIG. 5 is a rear elevational view thereof.
A right side view is not presented as it is identical to the left side view and a bottom view is not presented because it forms no part of the ornamental features of this invention.

1 Claim, 5 Drawing Sheets



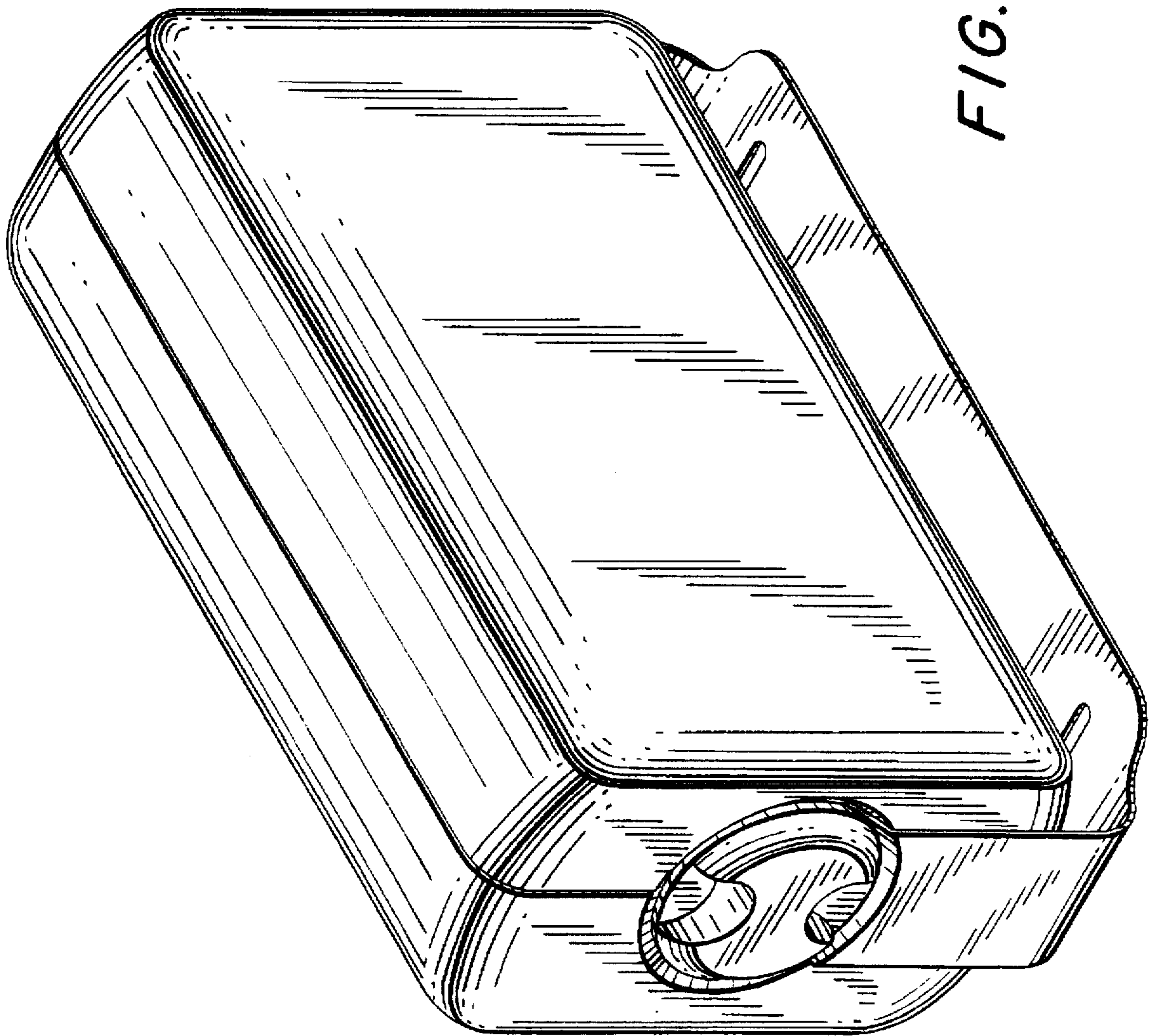


FIG. 1

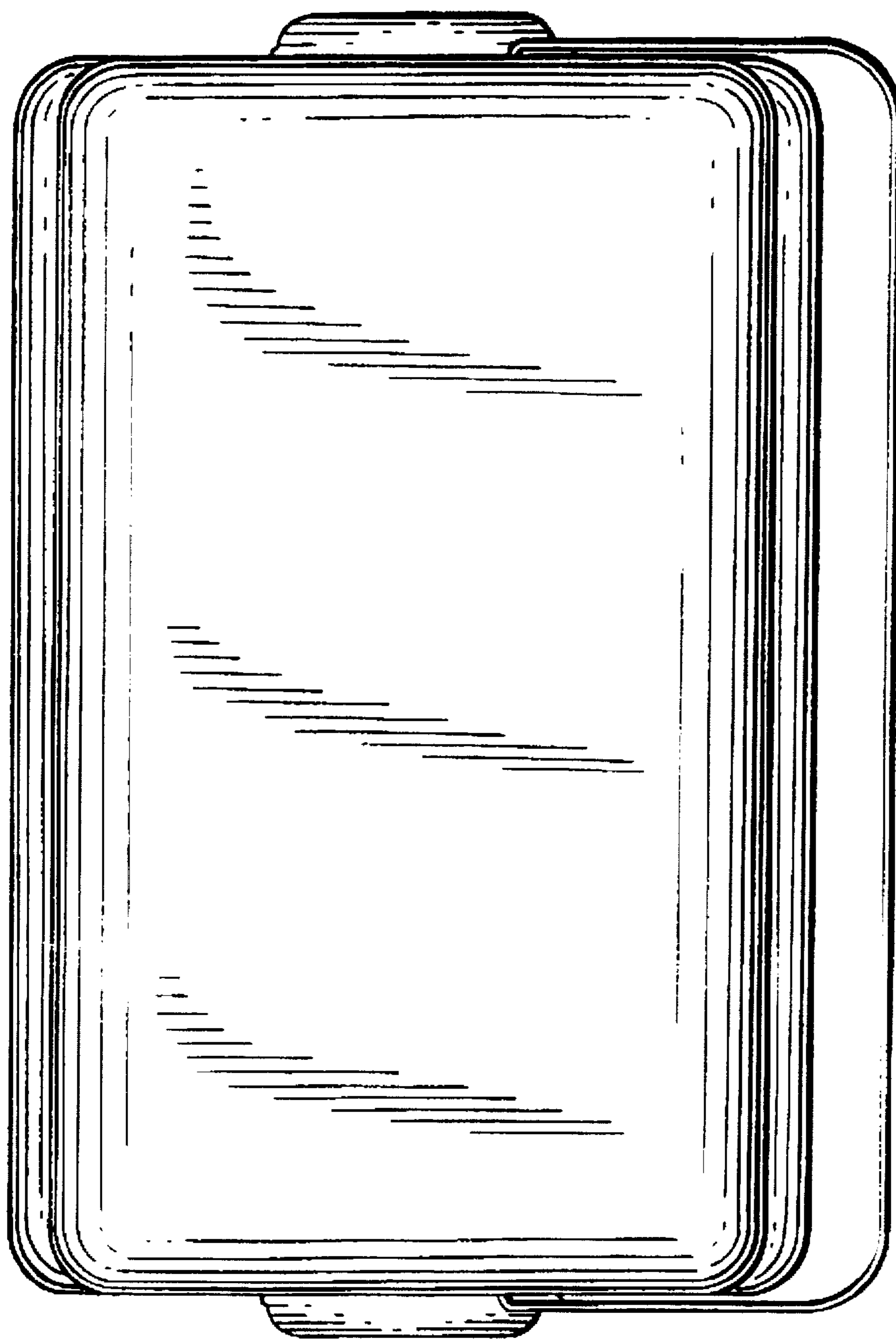


FIG. 2

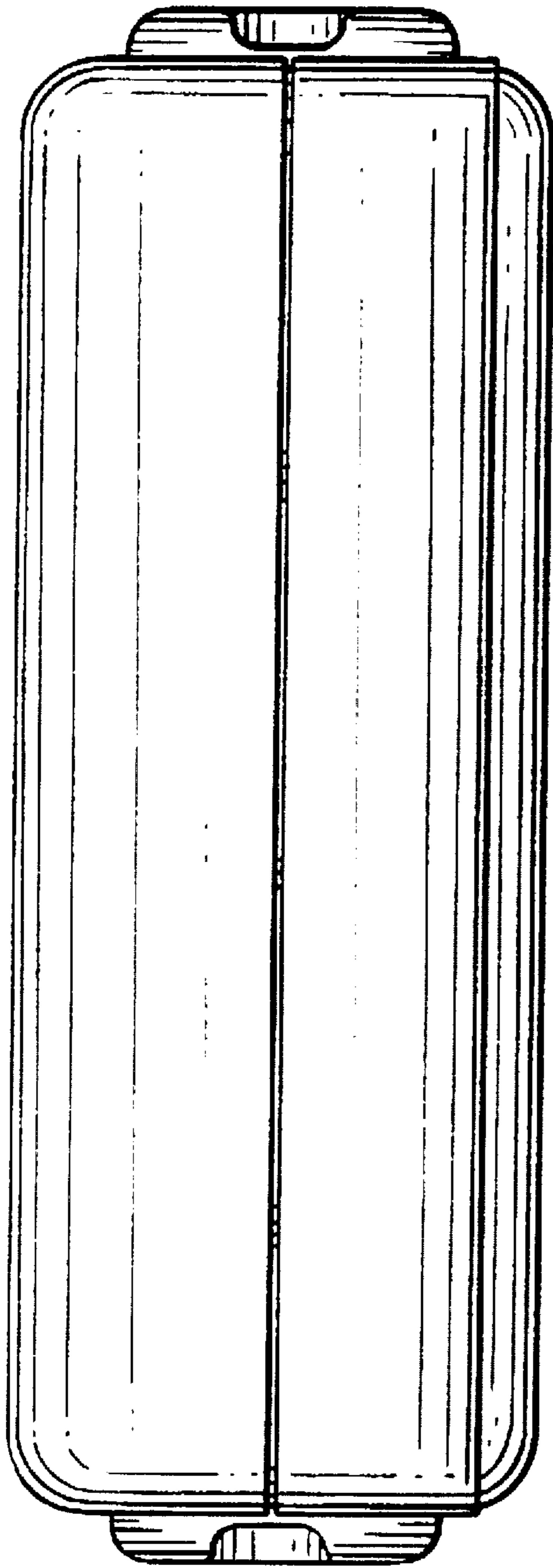


FIG. 3

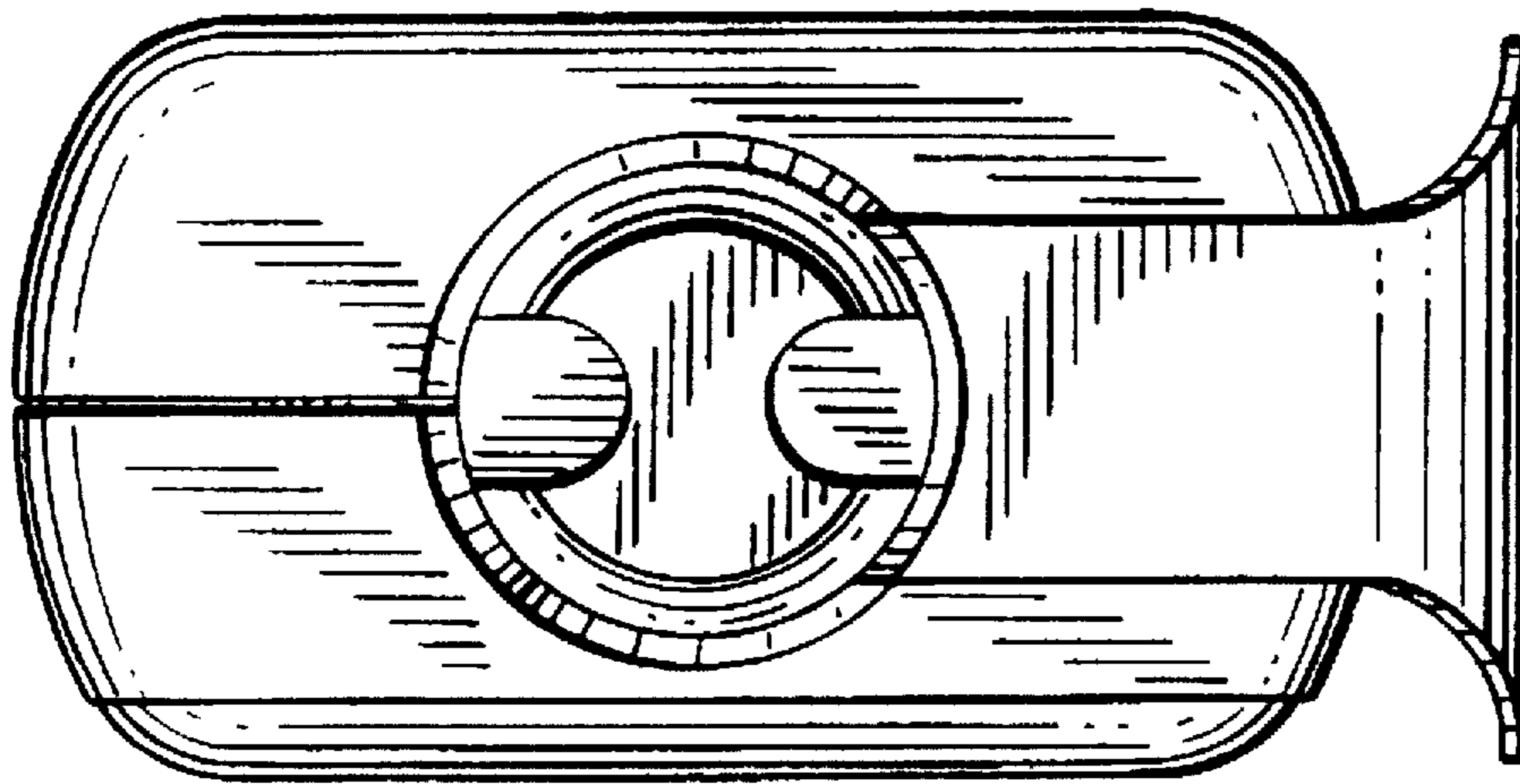


FIG. 4

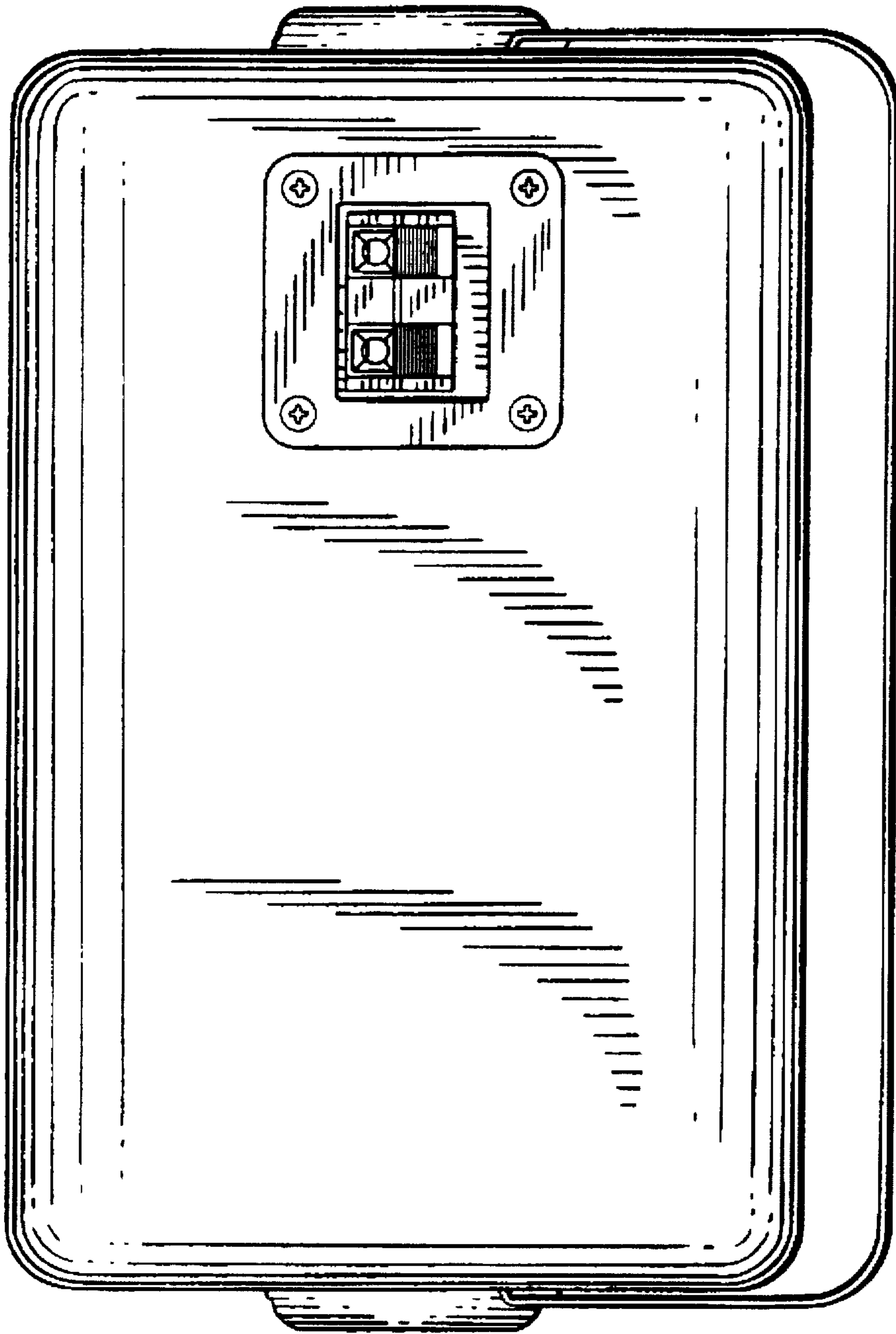


FIG. 5