



US00D389477S

United States Patent [19]

Tabankin et al.

[11] Patent Number: Des. 389,477

[45] Date of Patent: **Jan. 20, 1998

[54] PORTABLE HINGED PHONE

[75] Inventors: **Ira J. Tabankin**, Hillsboro; **Haydn Piper**, Aloha, both of Oreg.

[73] Assignee: **Meridian Wireless Technologies**, Tualatin, Oreg.

[**] Term: **14 Years**

[21] Appl. No.: **64,874**

[22] Filed: **Jan. 13, 1997**

[51] LOC (6) Cl. **14-03**

[52] U.S. Cl. **D14/138**

[58] Field of Search D14/100, 114, D14/137, 138, 140, 142, 191, 147-151, 240, 248; 379/58-61, 419, 420, 428, 440; 455/89, 90

[56] **References Cited**

U.S. PATENT DOCUMENTS

- D. 254,435 3/1980 Ferron D14/147
- D. 302,426 7/1989 Bradley et al. D14/114
- D. 306,294 2/1990 Watanabe D14/148
- D. 319,441 8/1991 Konno et al. D14/147
- D. 321,347 11/1991 Colida D14/138
- D. 321,349 11/1991 Colida D14/248 X
- D. 345,158 3/1994 Namba et al. D14/138
- D. 345,356 3/1994 Ando et al. D14/138
- D. 346,164 4/1994 Shirakawa et al. D14/138
- D. 350,735 9/1994 Karlin et al. D14/114
- D. 352,503 11/1994 Nagele D14/138
- D. 359,733 6/1995 Fellingner D14/138
- D. 359,734 6/1995 Nagele et al. D14/147 X
- D. 363,281 10/1995 Buhmann D14/138

- D. 369,598 5/1996 Nagele et al. D14/248
- D. 371,126 6/1996 Bro D14/191 X
- 4,018,998 4/1977 Wegner 179/103
- 5,109,539 4/1992 Inubushi et al. 455/89
- 5,150,282 9/1992 Tomura et al. 361/424
- 5,260,998 11/1993 Takagi 379/433
- 5,335,368 8/1994 Tamura 455/90
- 5,404,390 4/1995 Tamura 379/58
- 5,436,954 7/1995 Nishiyama et al. 379/58
- 5,485,517 1/1996 Gray 379/433
- 5,493,604 2/1996 Hirayama 379/58
- 5,493,690 2/1996 Shimazaki 379/63
- 5,493,704 2/1996 Grangeat 455/90

FOREIGN PATENT DOCUMENTS

- 9422235 9/1994 WIPO H04B 1/38

Primary Examiner—Jeffrey Asch

Attorney, Agent, or Firm—Chernoff, Vilhauer, McClung & Stenzel, LLP

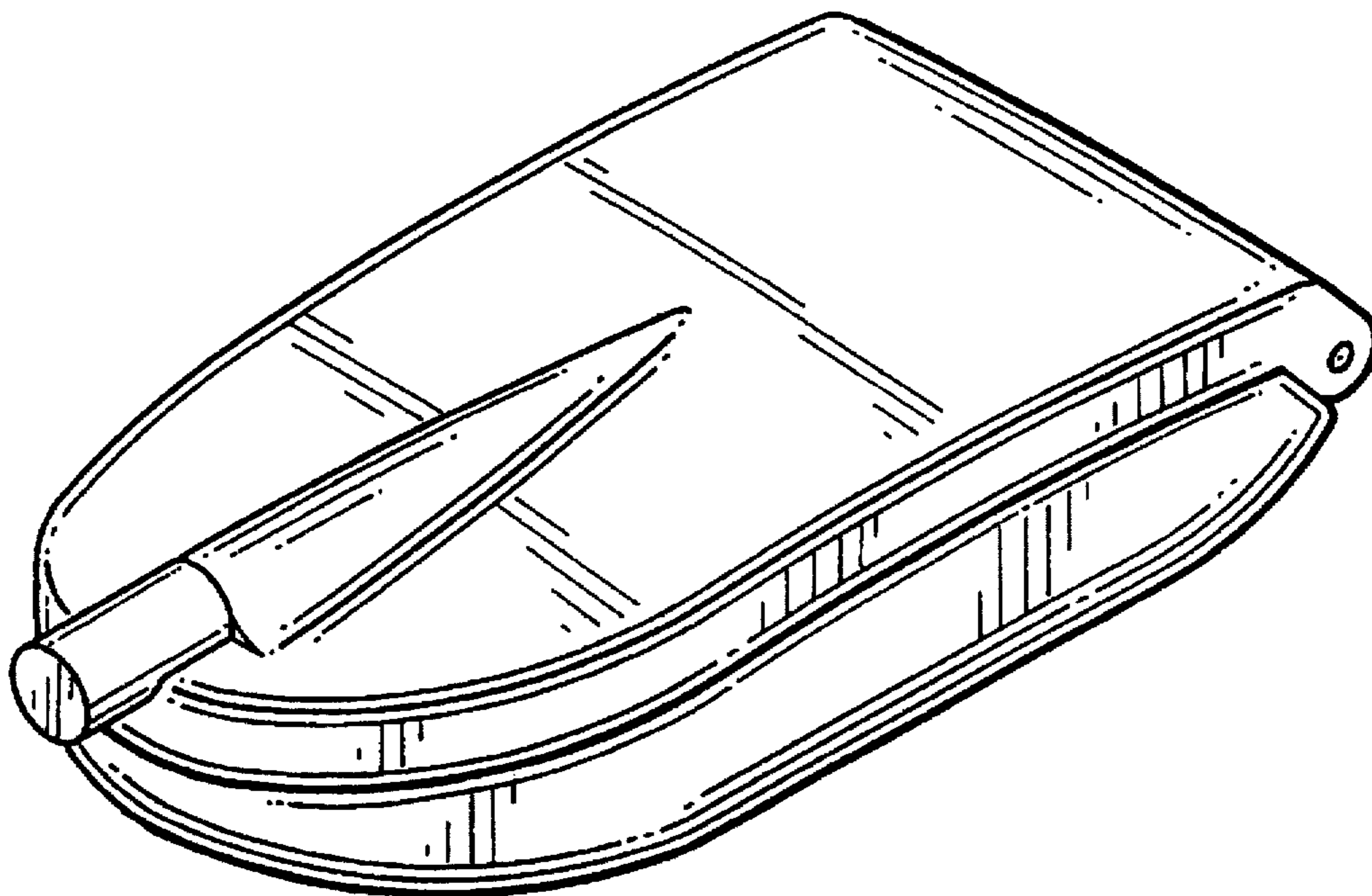
[57] **CLAIM**

The ornamental design for a portable hinged phone, as shown and described.

DESCRIPTION

FIG. 1 is a perspective view of of the portable hinged phone showing our new design;
 FIG. 2 is a side elevational view thereof, the opposite side elevational view being identical thereto;
 FIG. 3 is a rear elevational view thereof;
 FIG. 4 is a front elevational view thereof;
 FIG. 5 is a top plan view thereof; and,
 FIG. 6 is a bottom plan view thereof.

1 Claim, 1 Drawing Sheet



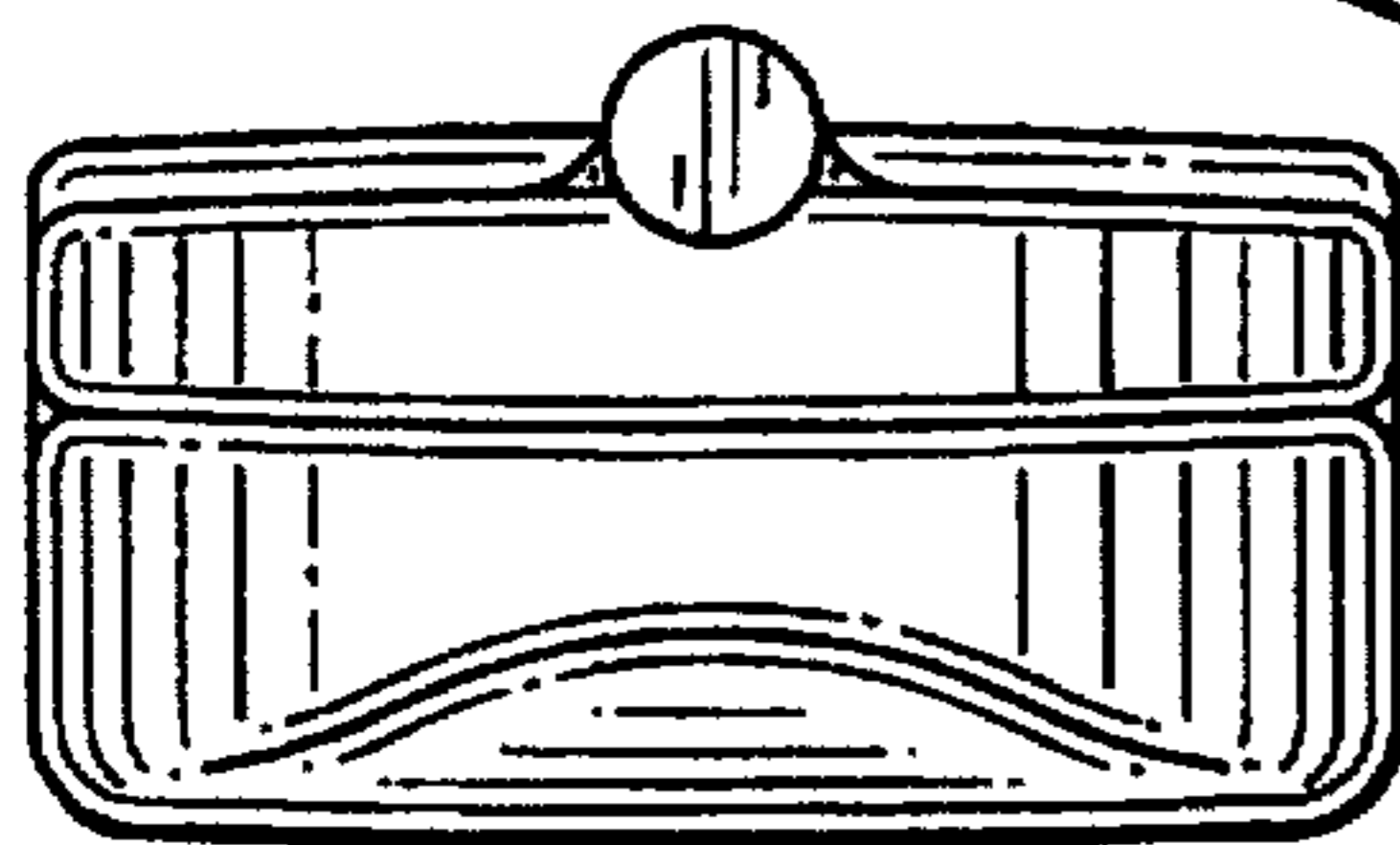
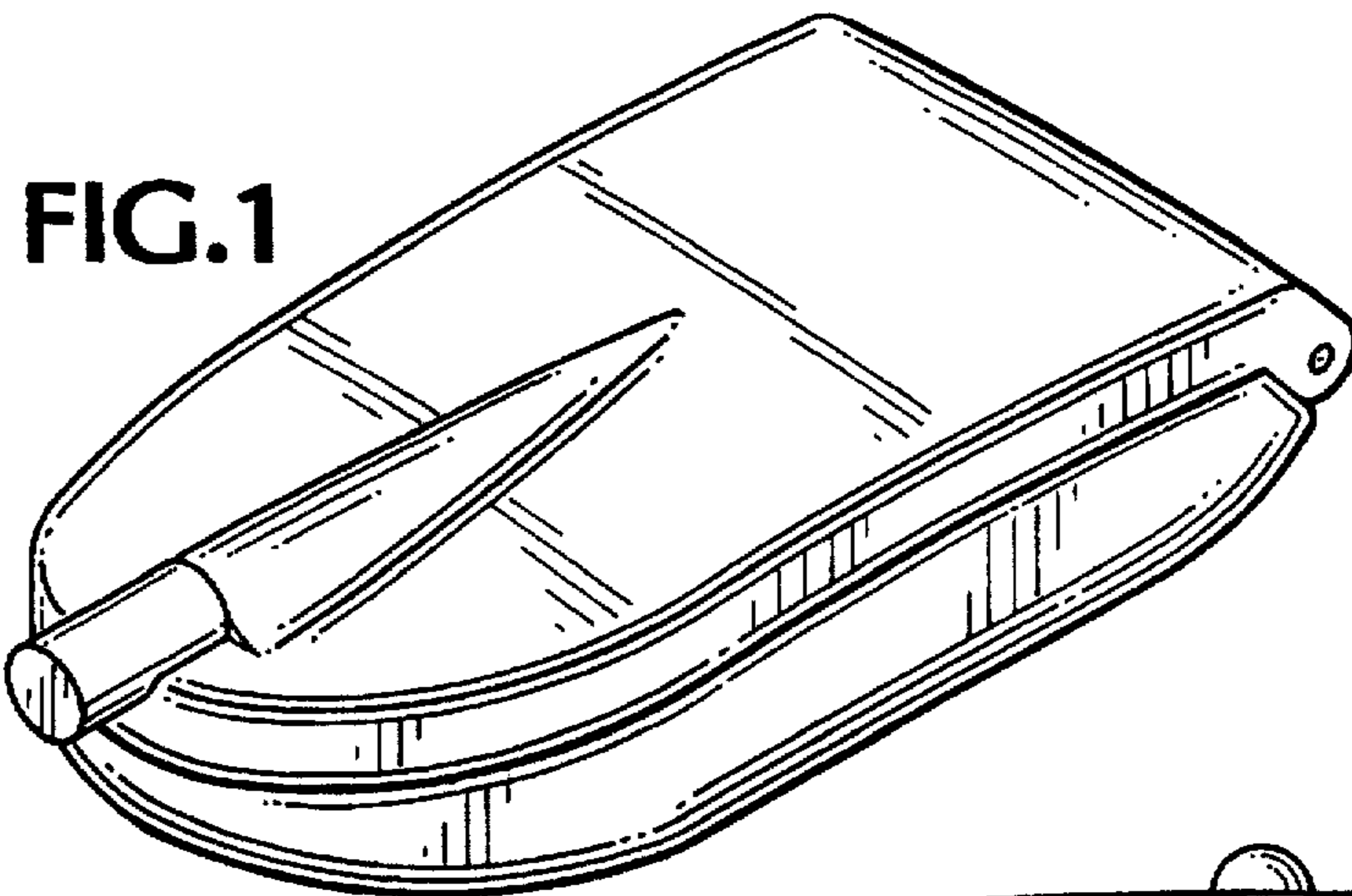


FIG. 3

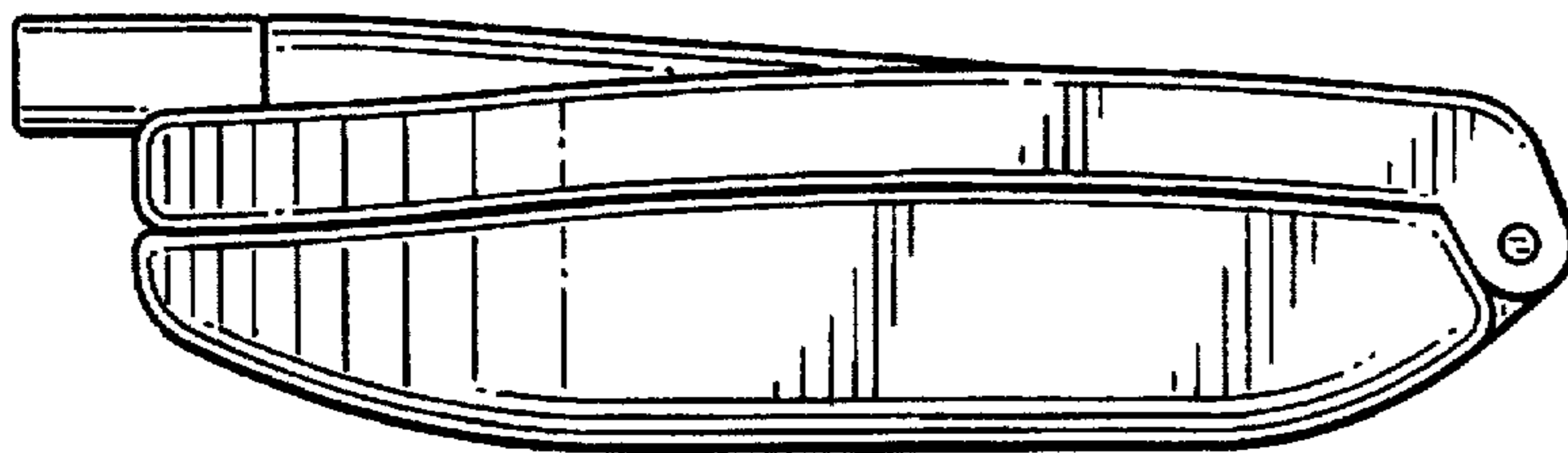
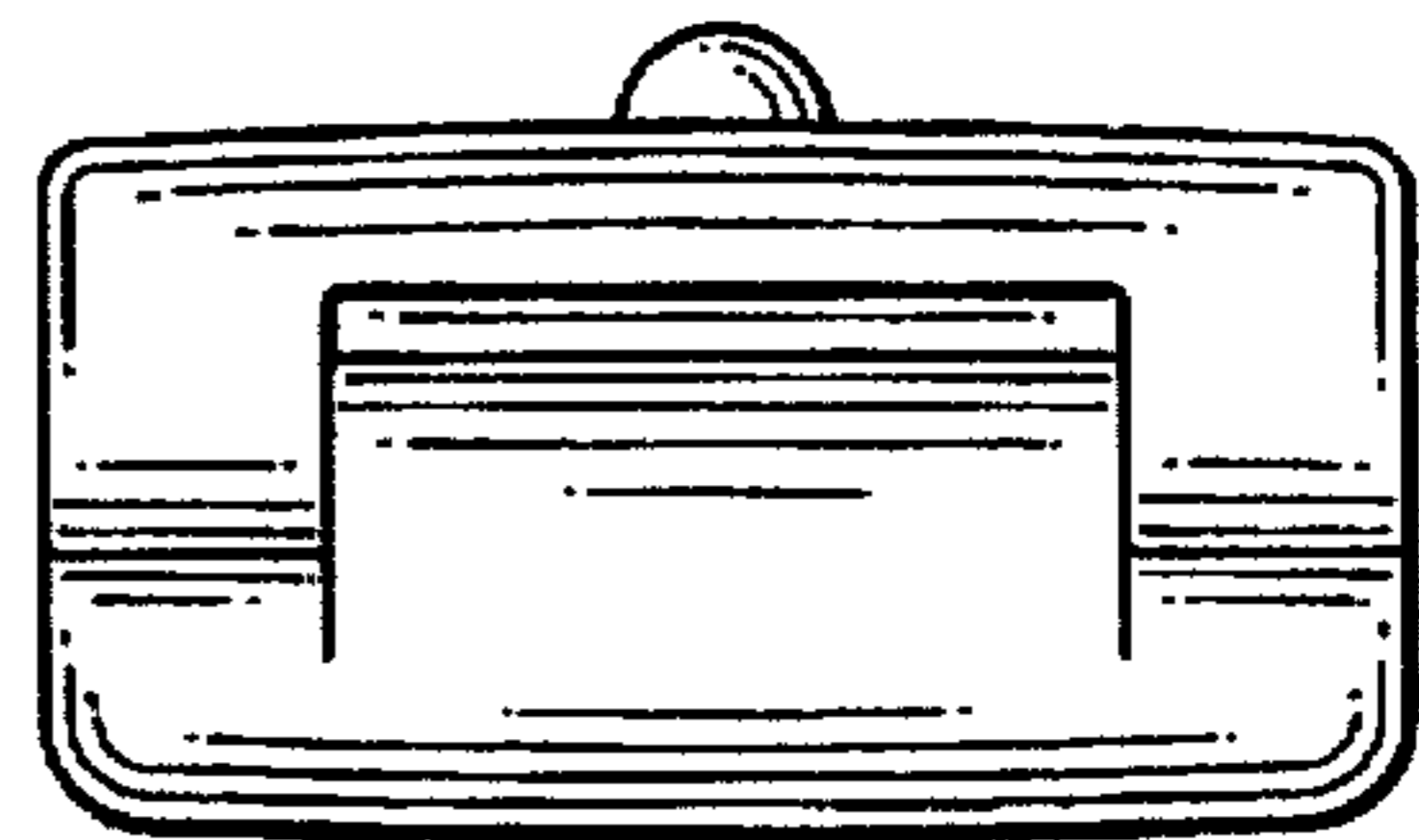


FIG. 2

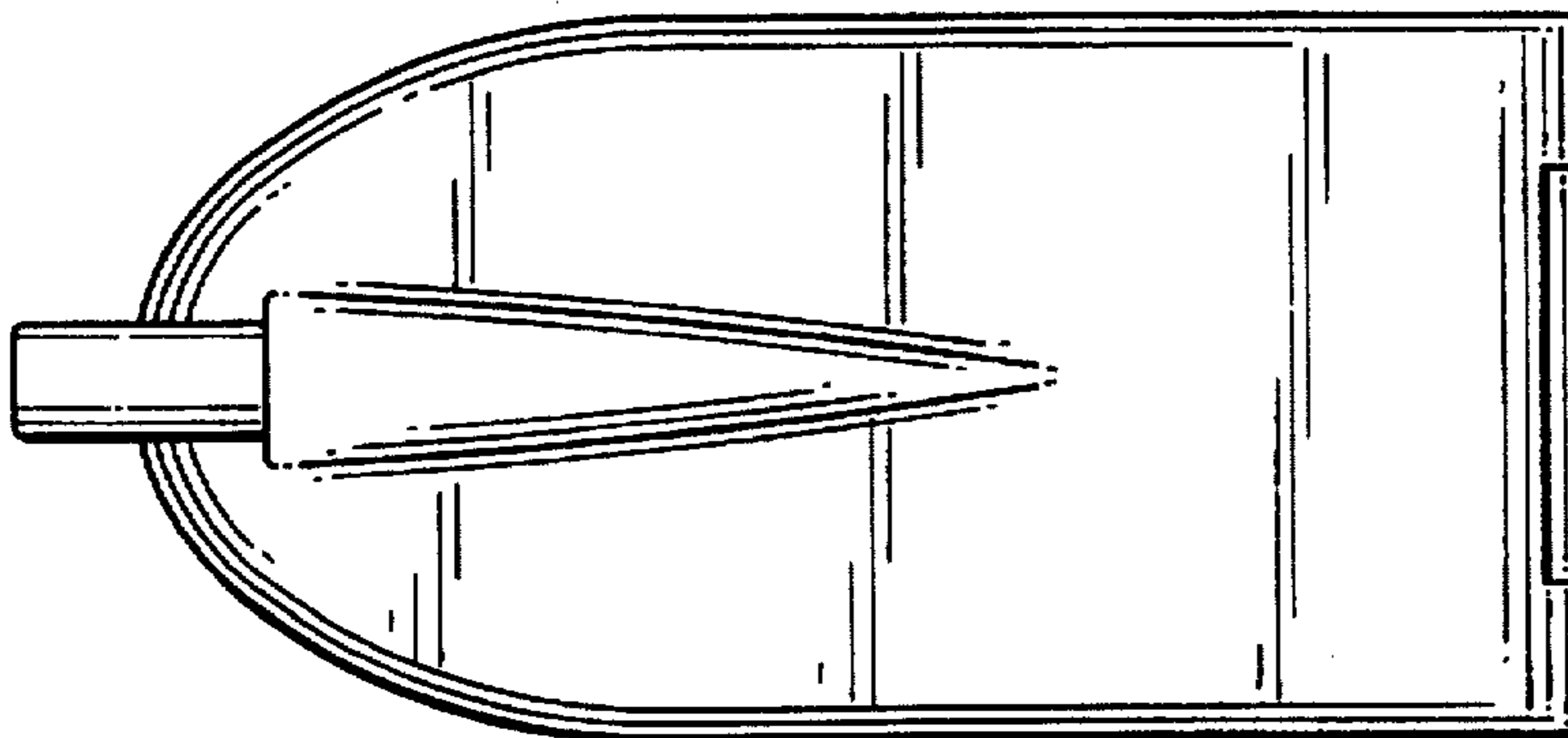


FIG. 5

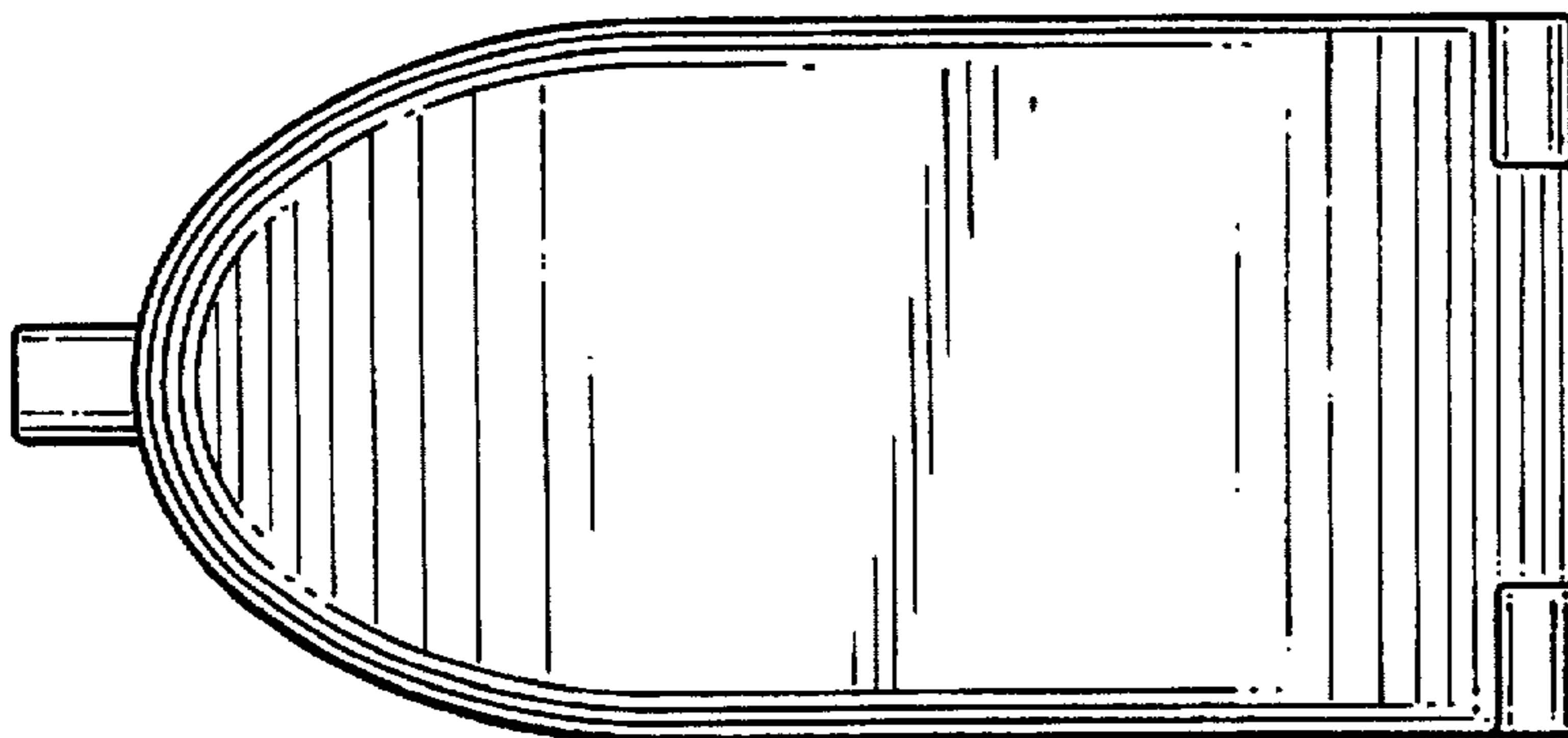


FIG. 6