

US00D389471S

United States Patent [19]

[11] Patent Number: **Des. 389,471**

Newton et al.

[45] Date of Patent: ****Jan. 20, 1998**

[54] **ICON FOR A COMPUTER SCREEN**

[75] Inventors: **James W. Newton, Belmont; Larry M. Hoffman, Mountain View, both of Calif.**

[73] Assignee: **Sun Microsystems, Inc., Mountain View, Calif.**

[**] Term: **14 Years**

[21] Appl. No.: **52,185**

[22] Filed: **Mar. 25, 1996**

[51] LOC (6) Cl. **14-02**

[52] U.S. Cl. **D14/114.2**

[58] Field of Search D14/114, 114.1-114.9; D18/24, 27; D10/11; D19/6; 395/326, 339-40, 347-357

Microsoft MS-DOS 6.2 Users Guide, Microsoft, button bar, p.77, button bar, p.45, 1993.

Anytime for Windows 3.0 User's Guide, Individual Software, button bar, p.2-1, 1995.

Family Tree Maker for Windows Reference Manual, Banner Blue, Inc., button bar, p.309, button bar, p.22, 1993.

Primary Examiner—M. Tung

Attorney, Agent, or Firm—Erwin J. Basinski

[57] CLAIM

The ornamental design for a icon for a computer screen, as shown and described.

DESCRIPTION

FIG. 1 is a front perspective view of an icon for a computer screen comprising the present invention, the broken line drawing of a computer screen is for illustrative purposes only and forms no part of the claimed design; and,

FIG. 2 is a front view thereof, the broken line drawing of a computer screen is for illustrative purposes only and forms no part of the claimed design.

[56] References Cited

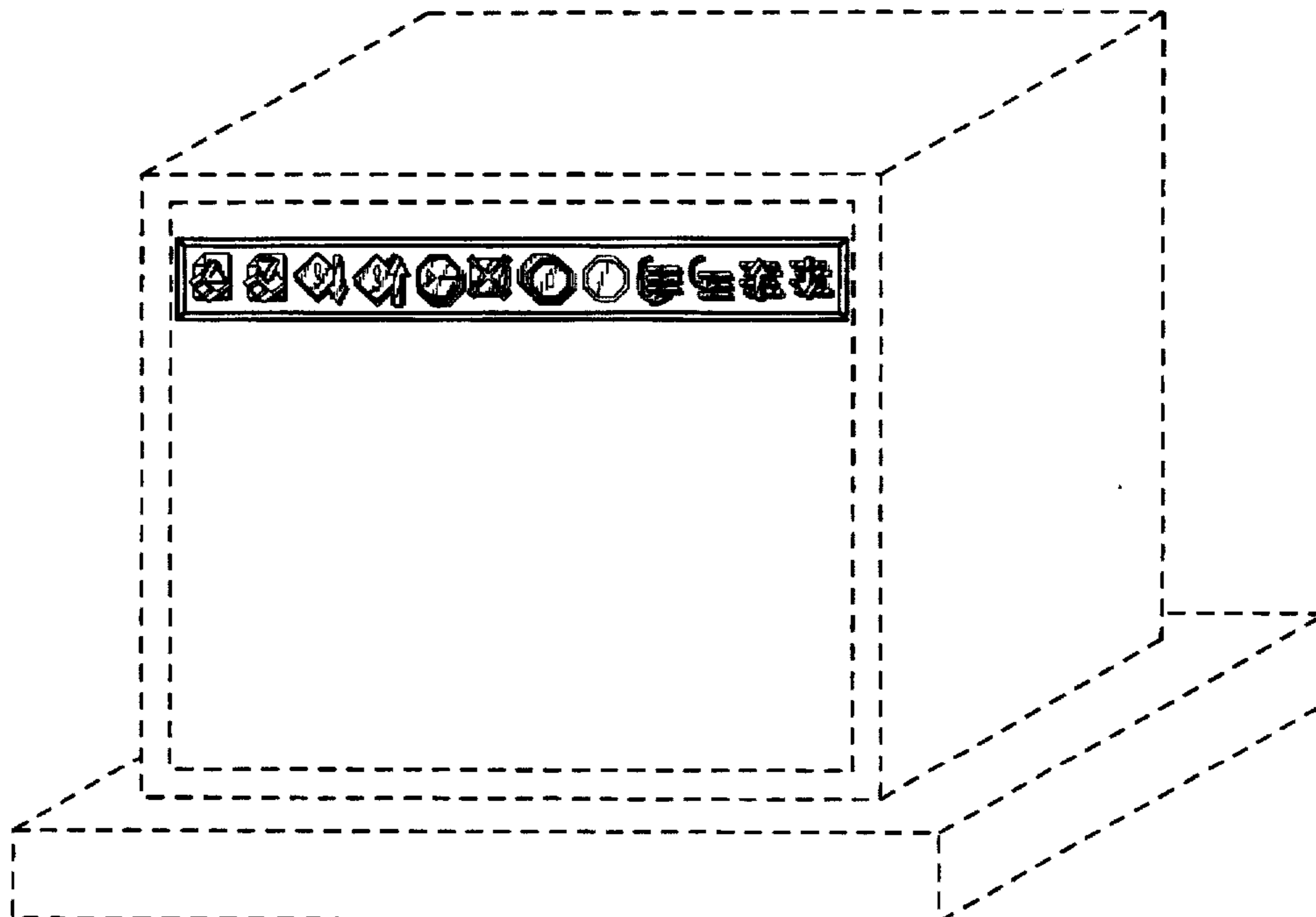
U.S. PATENT DOCUMENTS

D. 295,631	5/1988	Wells-Papanek et al.	D18/27
D. 295,763	5/1988	Wells-Papanek et al.	D18/27
D. 296,339	6/1988	Wells-Papanek et al.	D18/27
D. 341,848	11/1993	Bigelow et al.	D18/27

OTHER PUBLICATIONS

Symbol Sourcebook, Henry Dreyfuss, Van Nostrand Reinhold, diamond shapes, p.200, octagonal shapes, p.201, 1972. Bitfax Professional for Windows Getting Started Tutorial, Bit Software, send and receive icons, p.3-23, button bar, p.3-11, 1993.

1 Claim, 2 Drawing Sheets



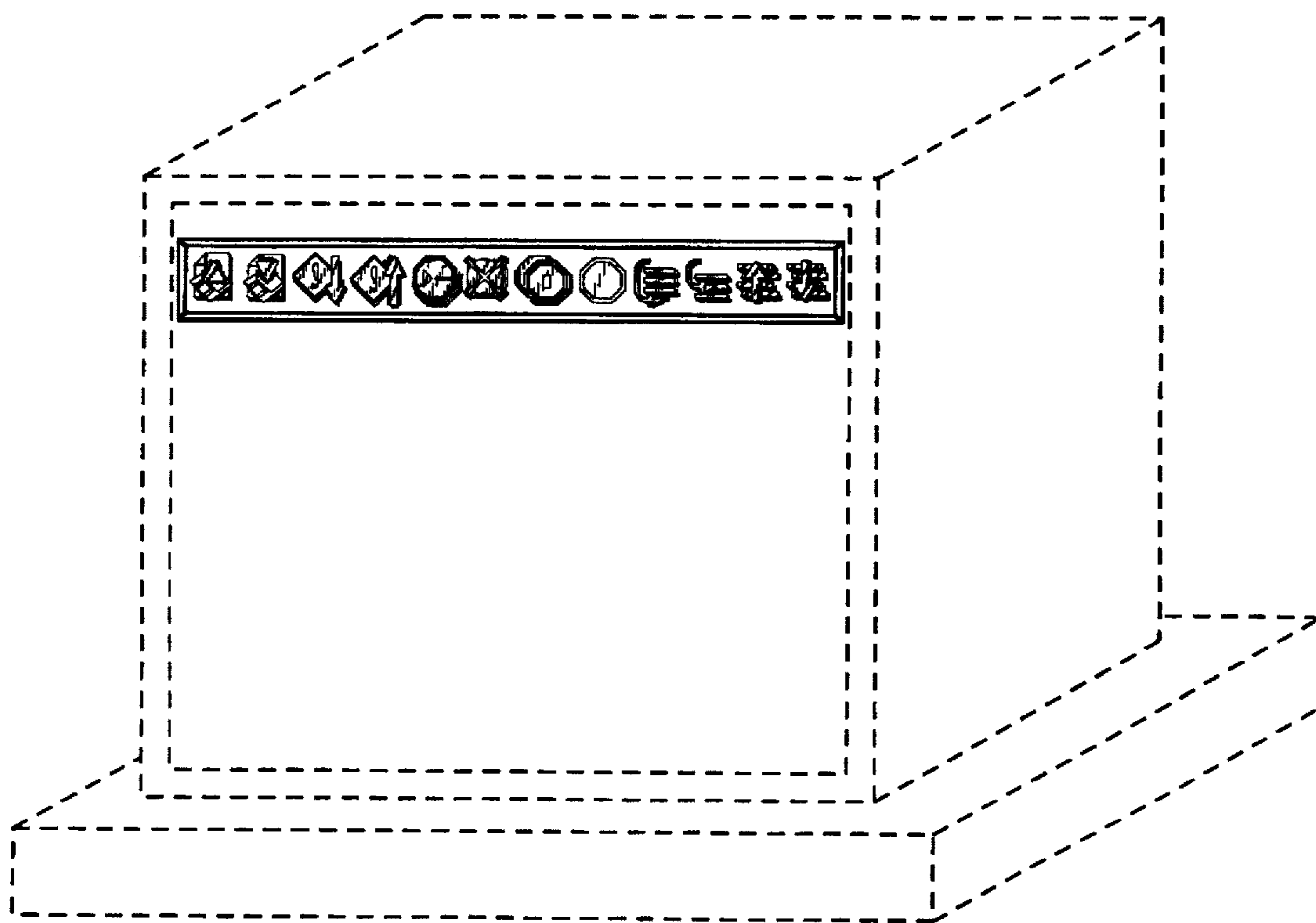


FIG. 1

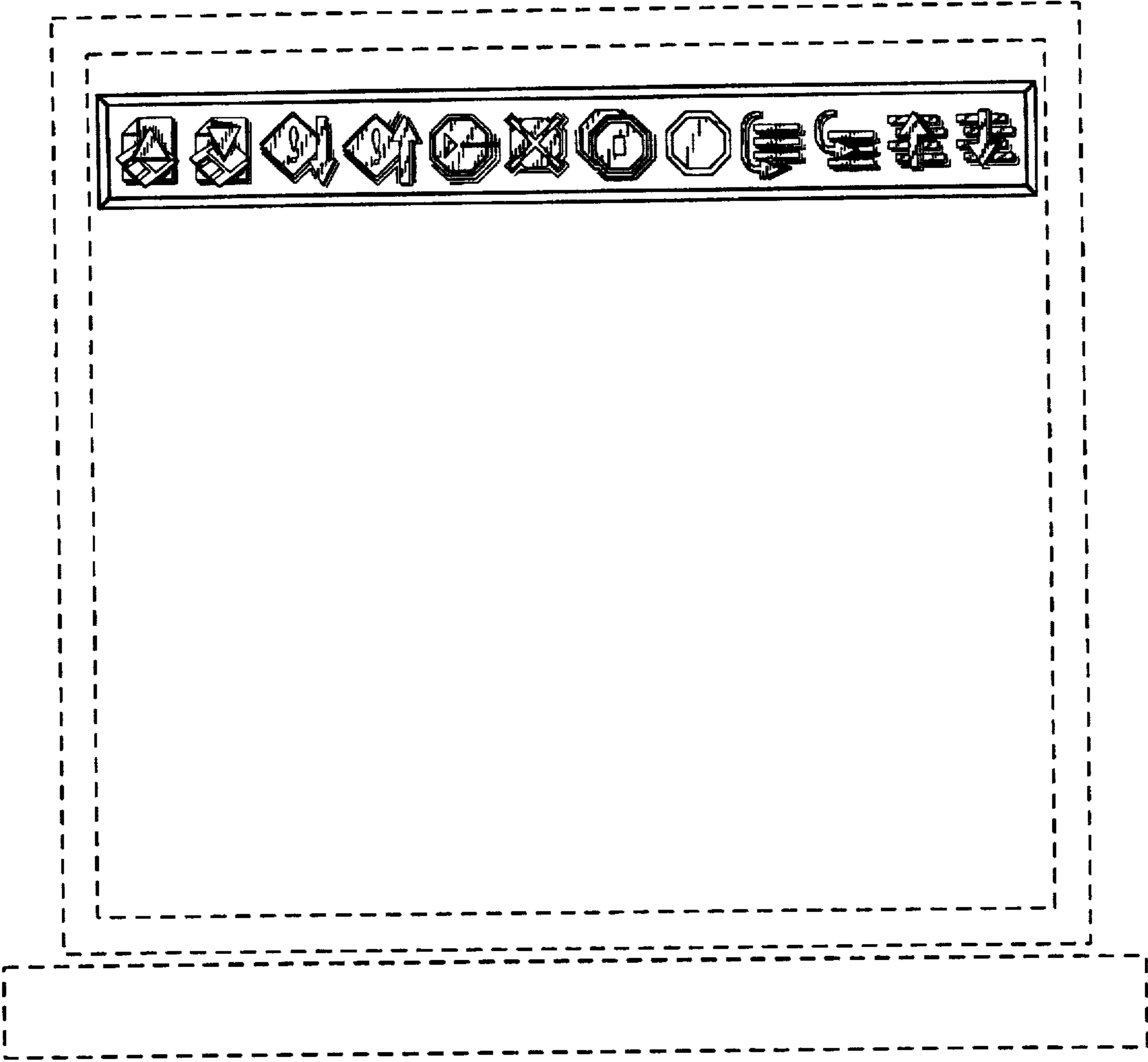


FIG. 2