



US00D389464S

United States Patent [19]

[11] Patent Number: **Des. 389,464**

Utsuki et al.

[45] Date of Patent: ****Jan. 20, 1998**

[54] COMPUTER

[75] Inventors: **Toshiyuki Utsuki**, Tachikawa; **Takashi Yamamoto**, Kodaira; **Kenta Kumagai**, Tokyo; **Tohru Higashihara**, Sayama; **Tamotsu Tsukaguchi**, Hiratsuka; **Mitsuharu Nagai**, Tokyo; **Fumio Kishida**, Isehara; **Yoshito Hayashi**, Atsugi, all of Japan

[73] Assignee: **Hitachi, Ltd.**, Tokyo, Japan

[**] Term: **14 Years**

[21] Appl. No.: **63,727**

[22] Filed: **Dec. 13, 1996**

[30] Foreign Application Priority Data

Jul. 1, 1996 [JP] Japan 8-19183

[51] LOC (6) Cl. **14-02**

[52] U.S. Cl. **D14/100; D14/109**

[58] Field of Search D14/100, 102, D14/107-109; D13/162, 184, 199; D6/432, 436, 445, 448; 312/208.1, 254, 292; 360/99.01, 99.12; 361/694, 696, 683

[56] References Cited

U.S. PATENT DOCUMENTS

D. 361,060 8/1995 Kumagay et al. D14/100
D. 371,347 7/1996 Utsuki et al. D14/102

Primary Examiner—Freda Nunn

Attorney, Agent, or Firm—Anotnelli, Terry, Stout & Kraus, LLP

[57] CLAIM

The ornamental design for a computer, as shown and described.

DESCRIPTION

FIG. 1 is a perspective front, right side and top view of a computer showing our new design;
FIG. 2 is a front elevational view thereof;
FIG. 3 is a right side view thereof;
FIG. 4 is a top view thereof;
FIG. 5 is a bottom view thereof;
FIG. 6 is a left side view thereof; and,
FIG. 7 is a rear view thereof.

1 Claim, 4 Drawing Sheets

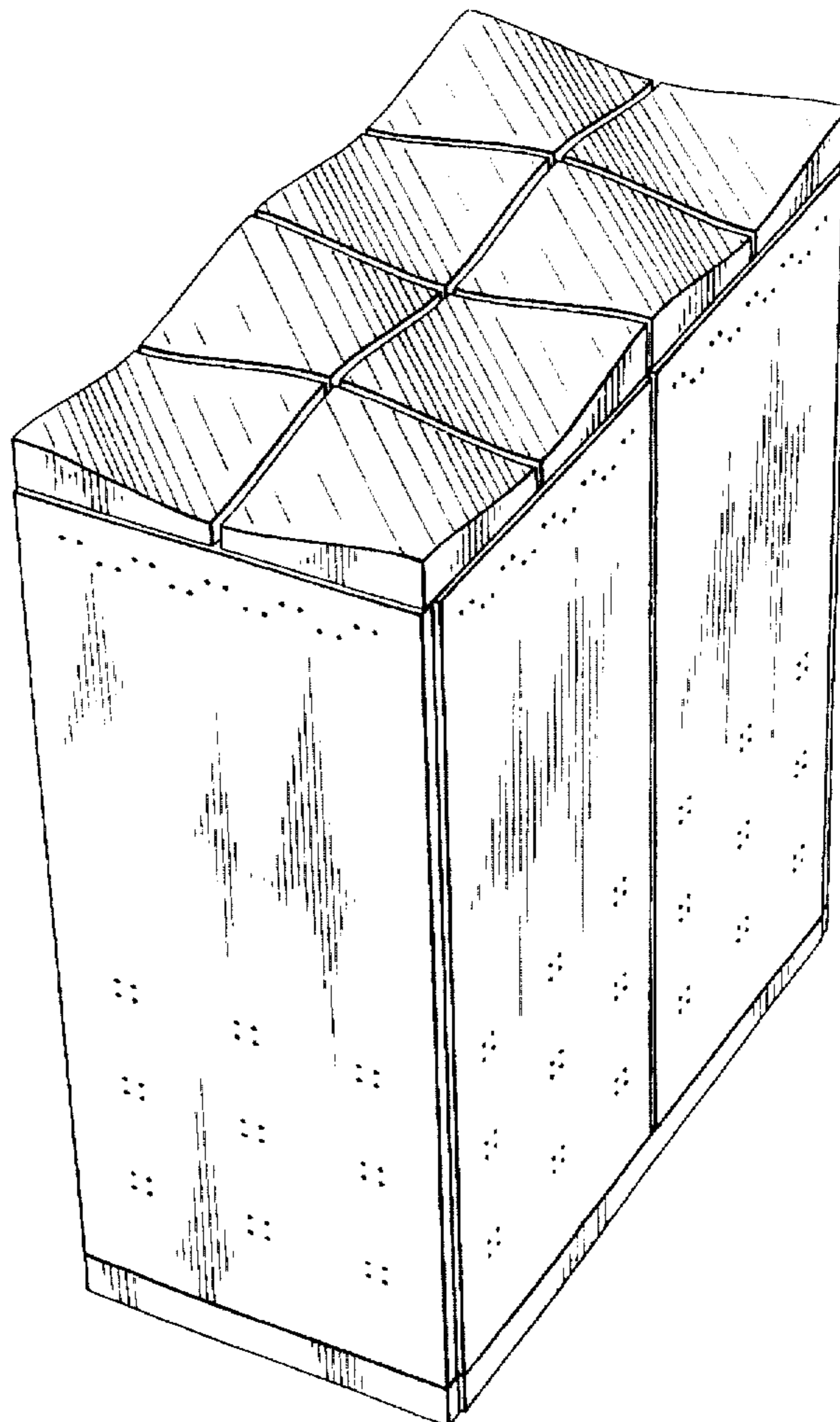


FIG. 1

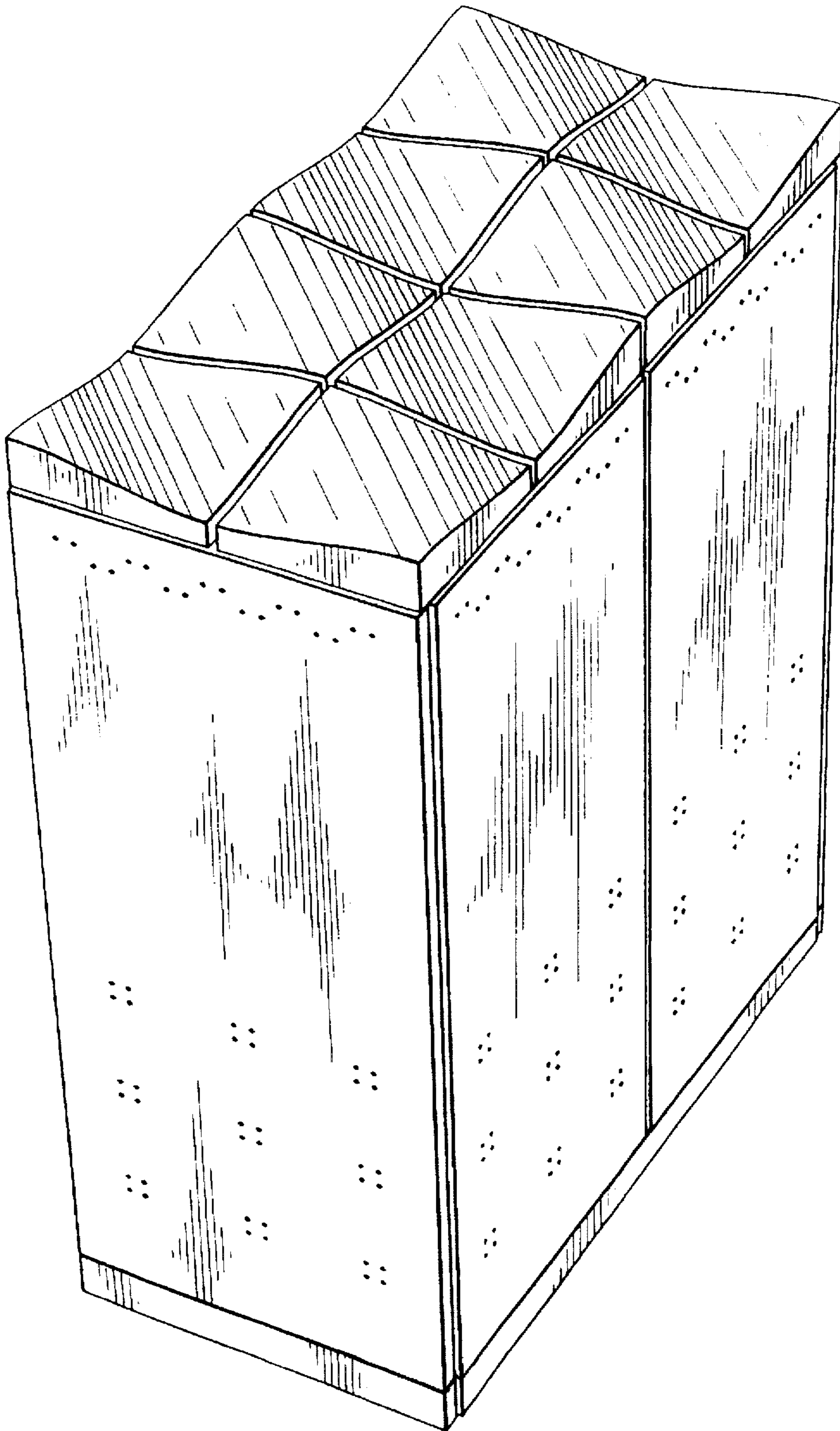


FIG. 3

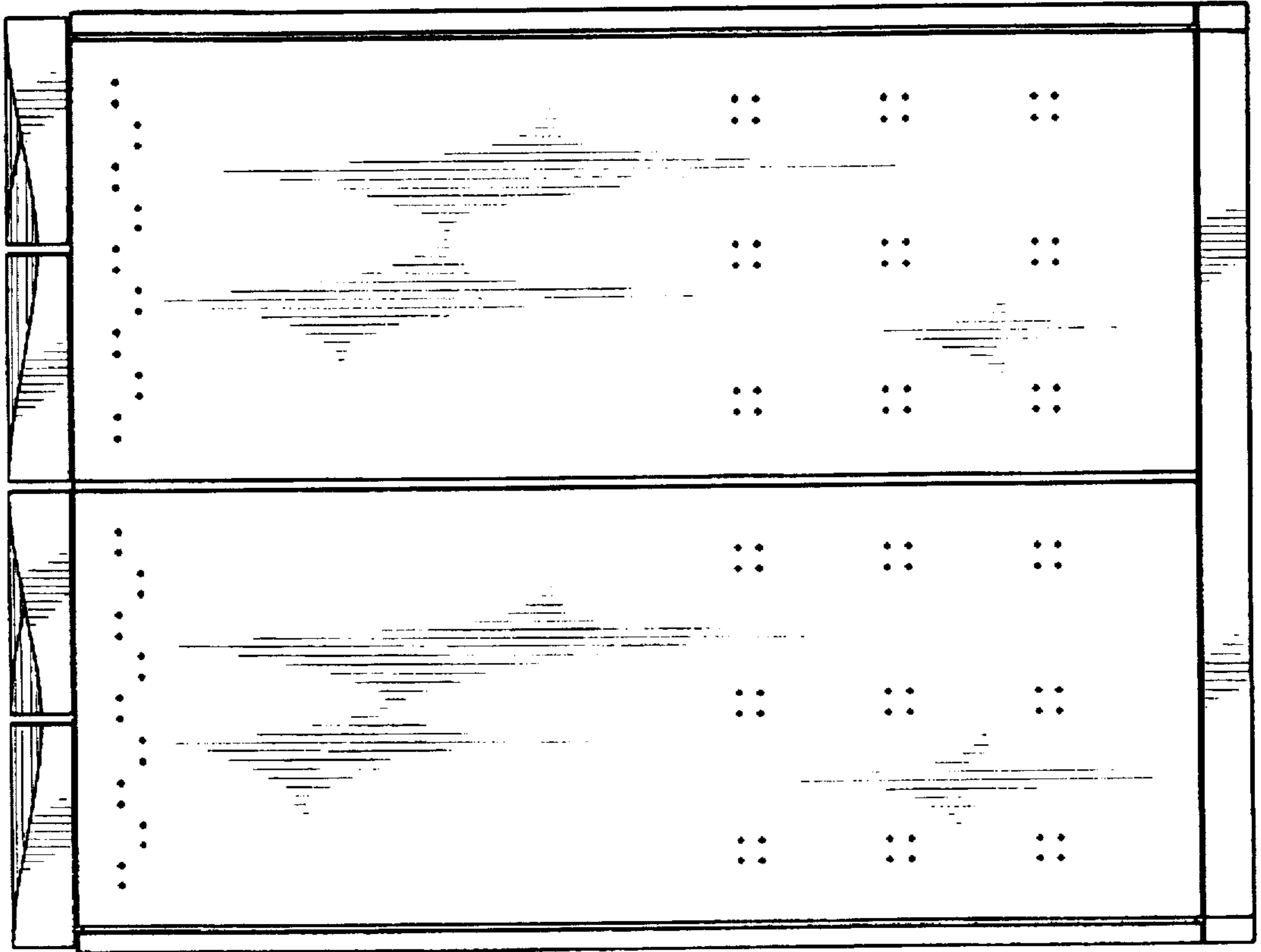


FIG. 2

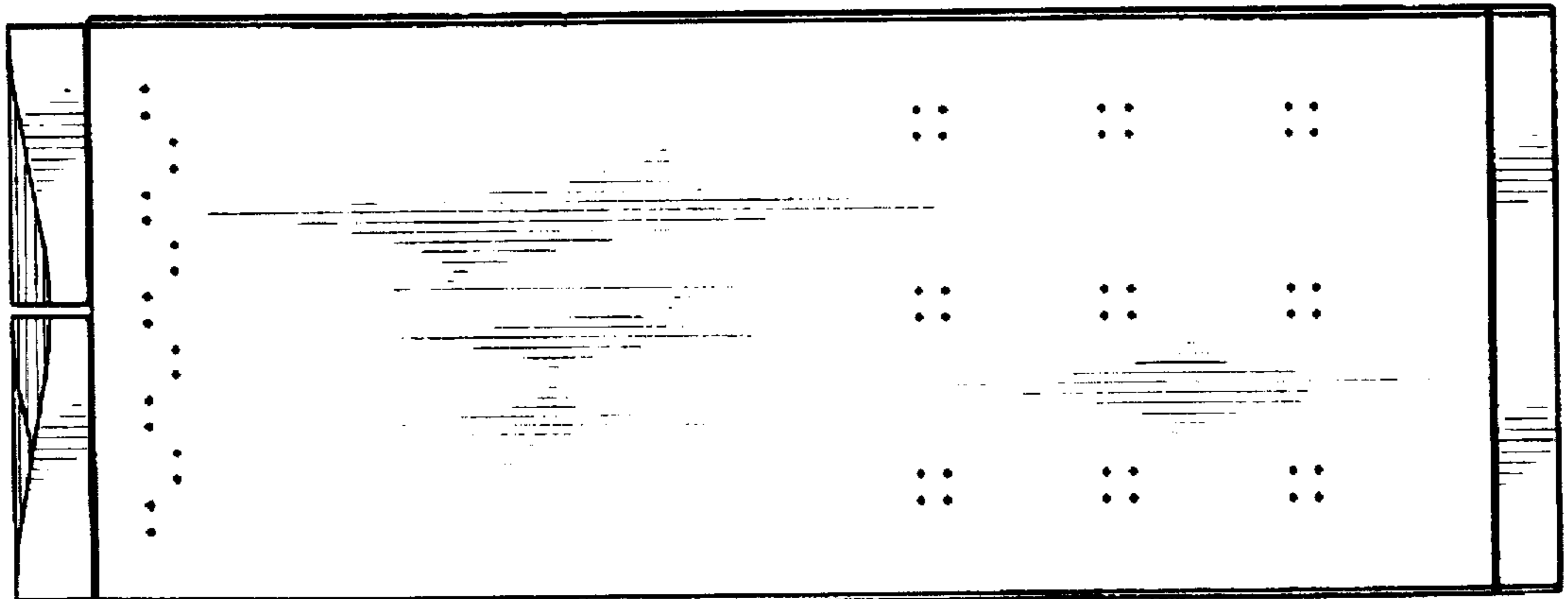


FIG. 4

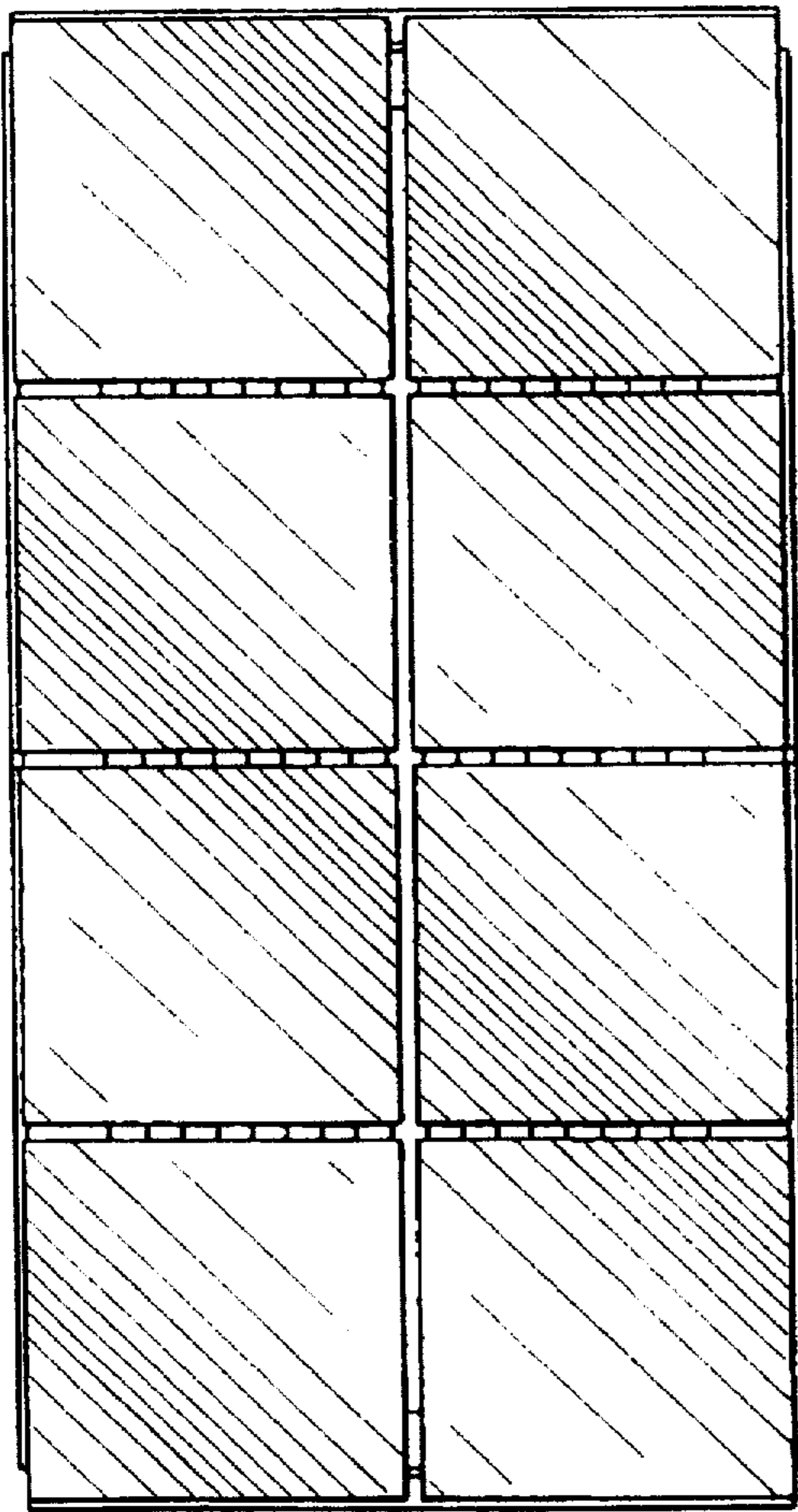


FIG. 5

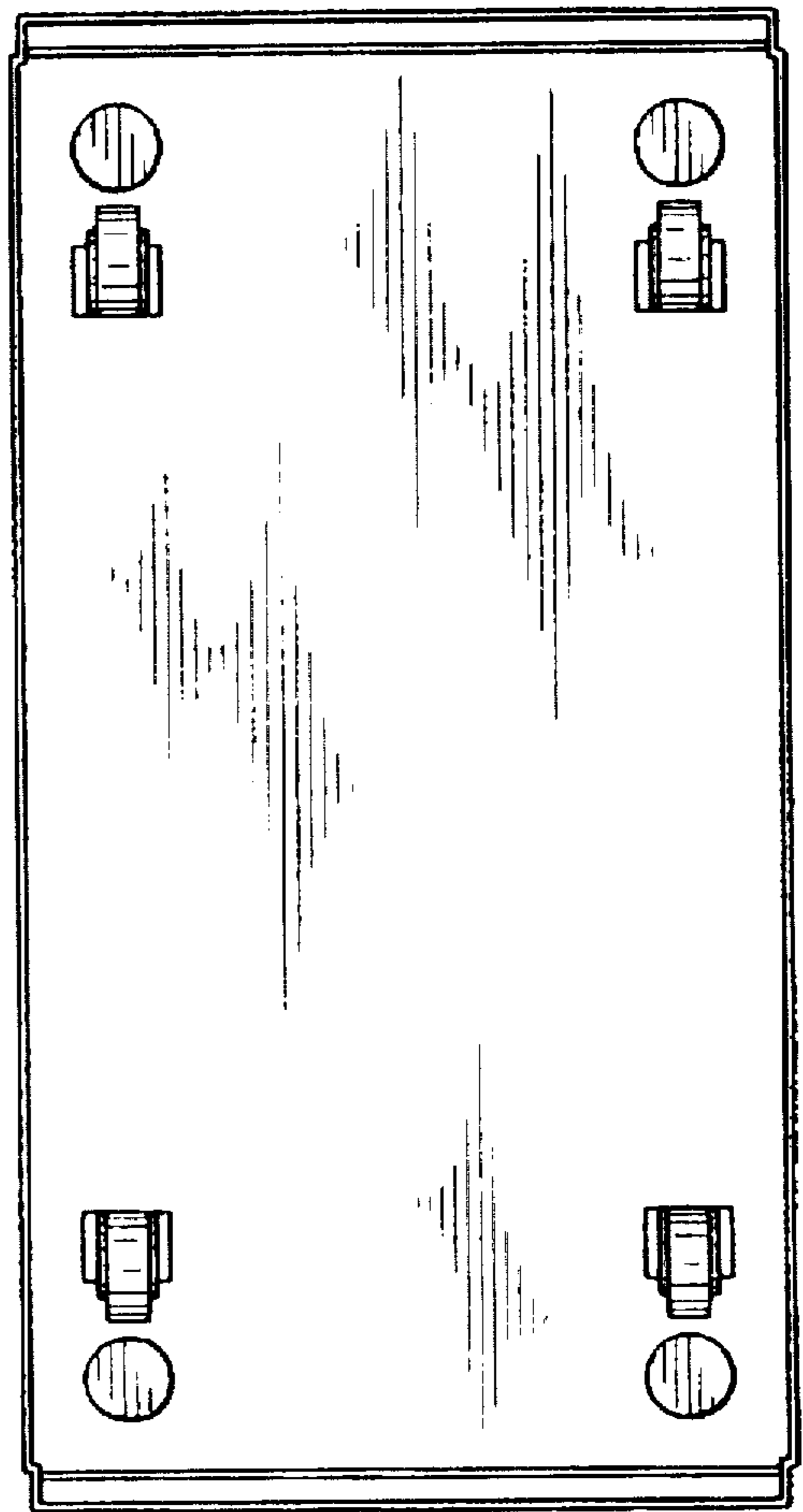


FIG. 7

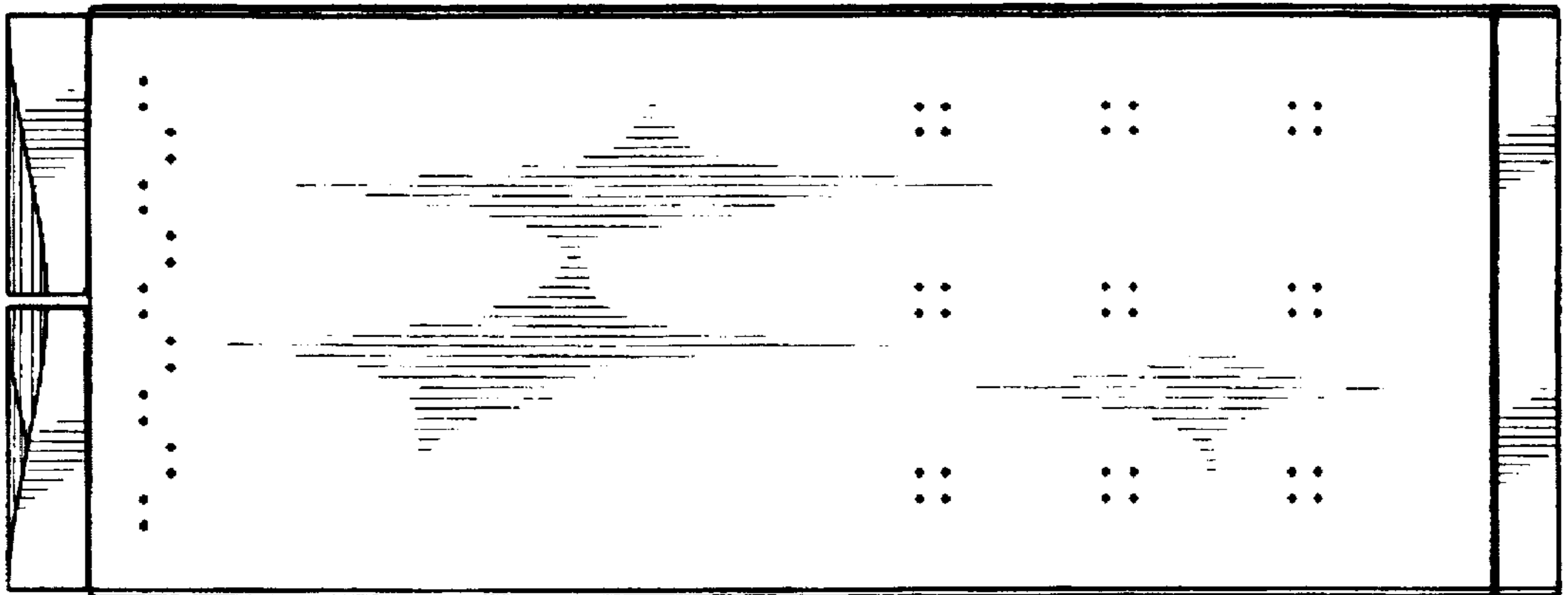


FIG. 6

