



US00D389463S

# United States Patent [19]

Kasahara

[11] Patent Number: **Des. 389,463**

[45] Date of Patent: **\*\*Jan. 20, 1998**

[54] **INFORMATION INPUT/OUTPUT  
MANAGING MACHINE EQUIPPED WITH A  
TEXT CREATING FUNCTION**

[75] Inventor: **Naoko Kasahara**, Hachioji, Japan

[73] Assignee: **Kabushiki Kaisha Toshiba**, Kawasaki,  
Japan

[\*\*] Term: **14 Years**

[21] Appl. No.: **62,826**

[22] Filed: **Nov. 26, 1996**

### [30] Foreign Application Priority Data

May 29, 1996 [JP] Japan ..... 8-15407

[51] LOC (6) CL ..... **14-02**

[52] U.S. Cl. .... **D14/100**

[58] Field of Search ..... D14/100, 106,  
D14/115, 107, 114; D18/1, 2, 7; 178/18,  
19; 235/145 A, 145 R; 341/22, 23; 345/156,  
168, 169, 172, 87, 173; 364/708.1

### [56] References Cited

#### U.S. PATENT DOCUMENTS

D. 315,895	4/1991	Paine et al.	.....	D14/100
D. 354,478	1/1995	Miyahara	.....	D14/100
D. 360,196	7/1995	Cox et al.	.....	D14/105
D. 362,235	9/1995	Franzen	.....	D14/100

D. 376,351 12/1996 Matsumoto ..... D14/100

### OTHER PUBLICATIONS

Denpa Shinbun Newspaper extract showing a portable information terminal bearing the indication HC-50..

*Primary Examiner*—Freda Nunn  
*Attorney, Agent, or Firm*—Banner & Witcoff, Ltd.

### [57] CLAIM

The ornamental design for an information input/output managing machine equipped with a text creating function, as shown and described.

### DESCRIPTION

FIG. 1 is a front, bottom and right side perspective view of an information input/output managing machine equipped with a text creating function, showing my new design;  
 FIG. 2 is a front elevational view thereof;  
 FIG. 3 is a top plan view thereof;  
 FIG. 4 is a bottom plan view thereof;  
 FIG. 5 is a right side elevational view thereof;  
 FIG. 6 is a left side elevational view thereof;  
 FIG. 7 is a rear elevational view thereof;  
 FIG. 8 is a front, bottom and right side perspective view thereof with a cover half-closed and a pen removed; and,  
 FIG. 9 is a front, bottom and right side perspective view thereof with a cover in a closed state.

**1 Claim, 2 Drawing Sheets**

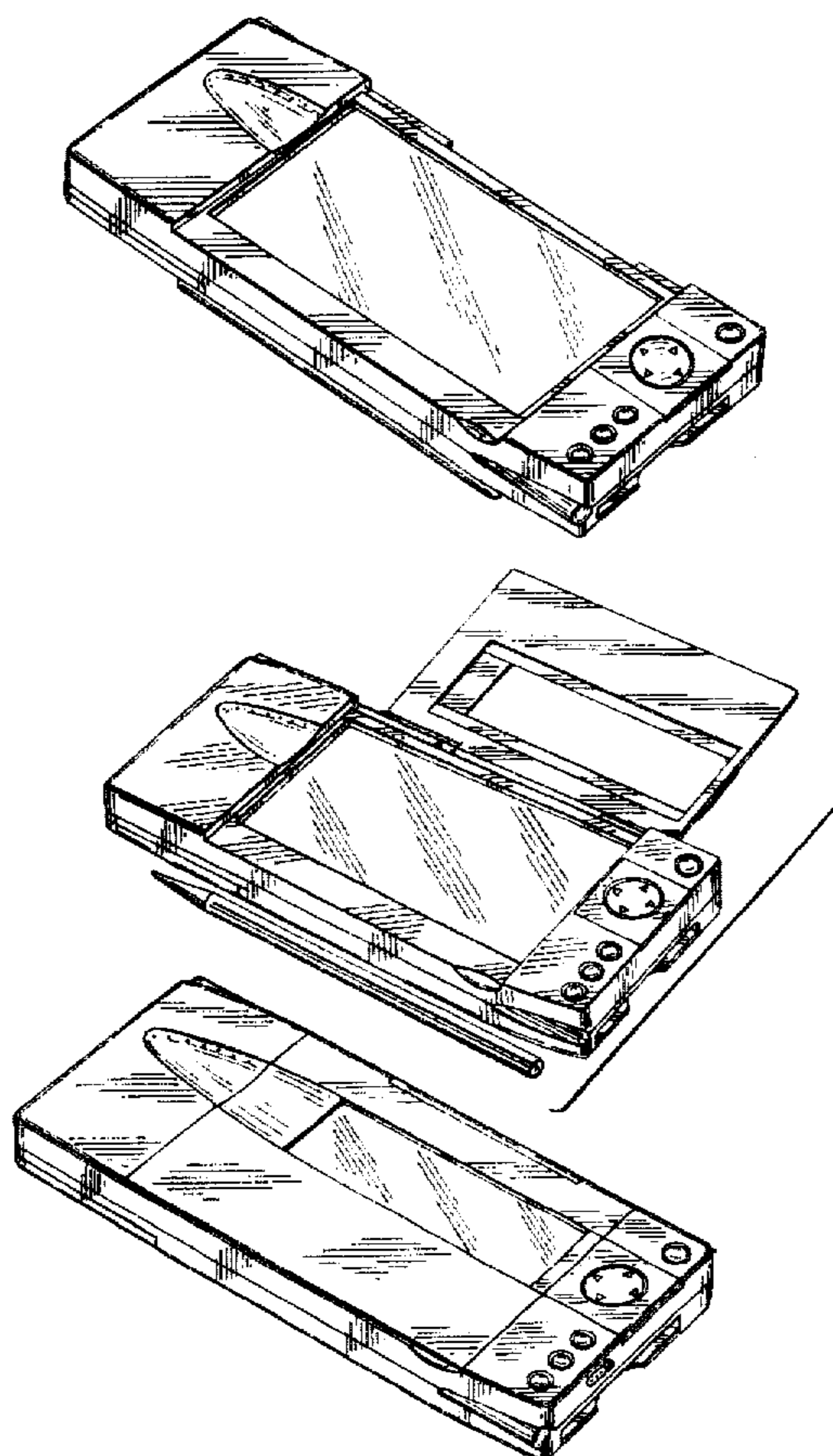


FIG. 1

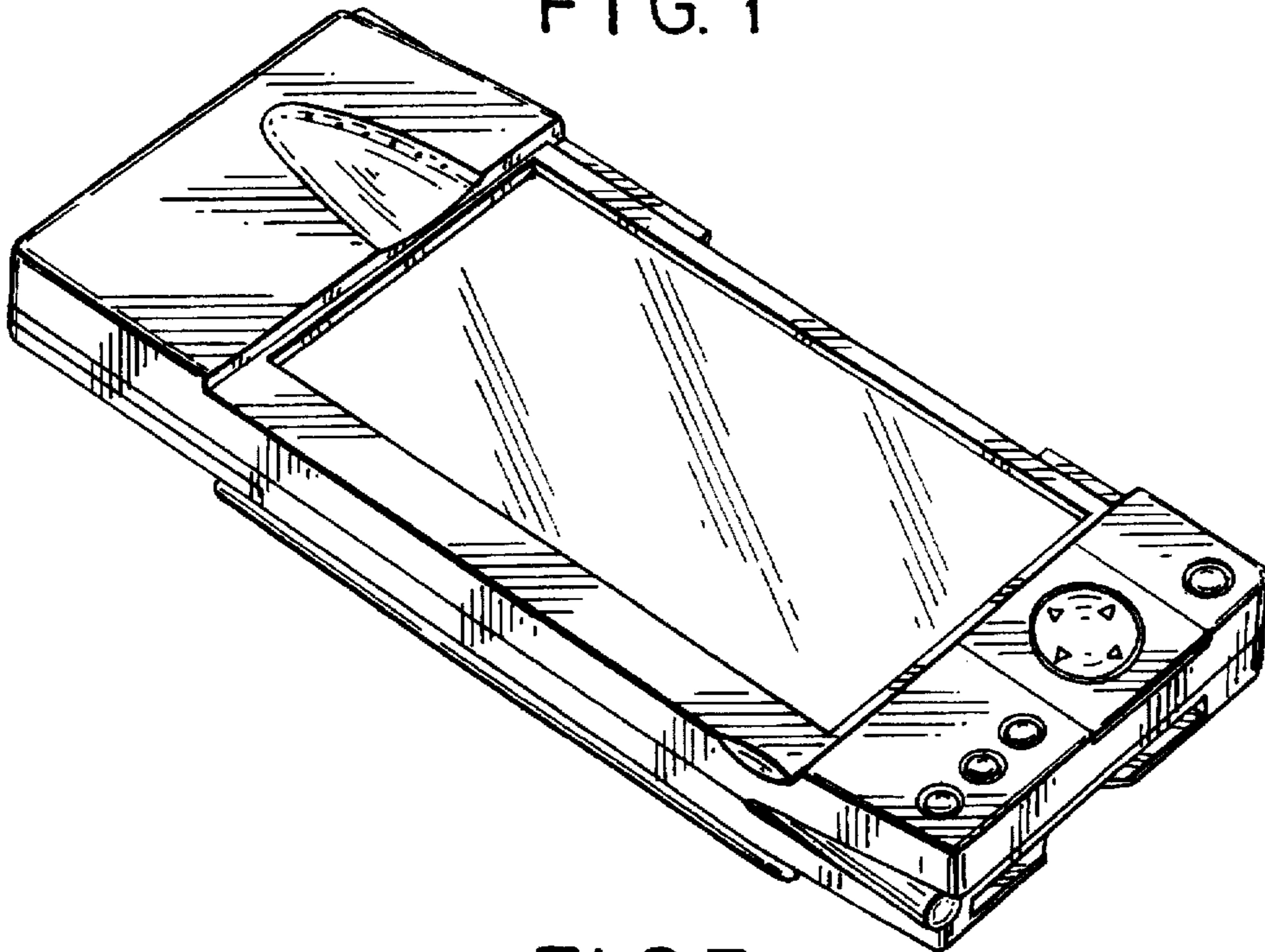


FIG. 3

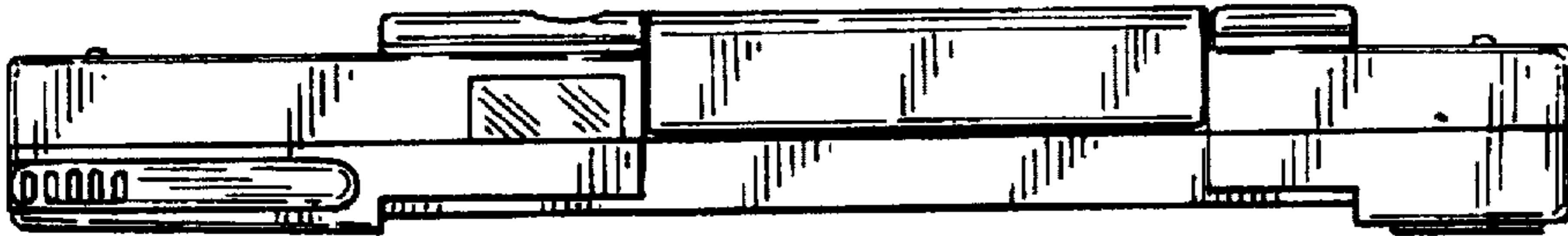


FIG. 2

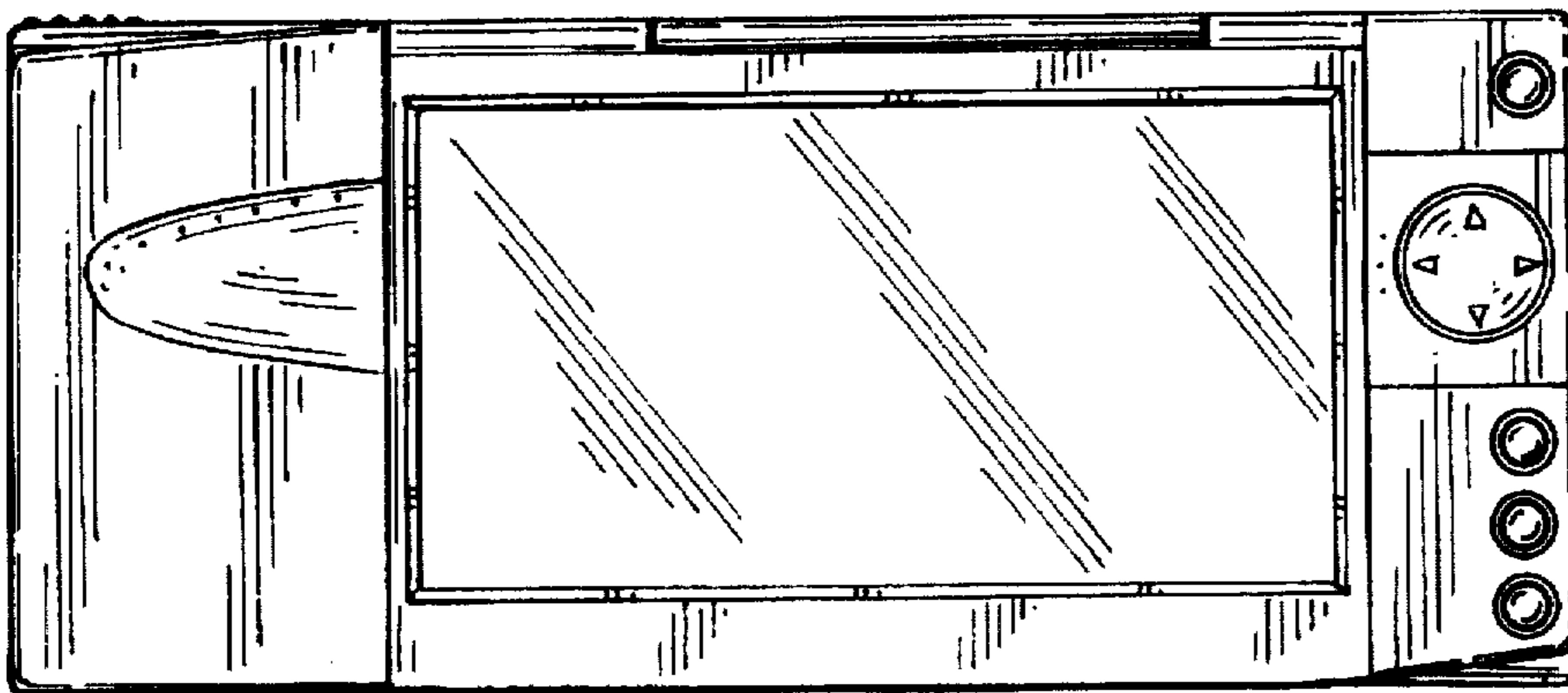


FIG. 5

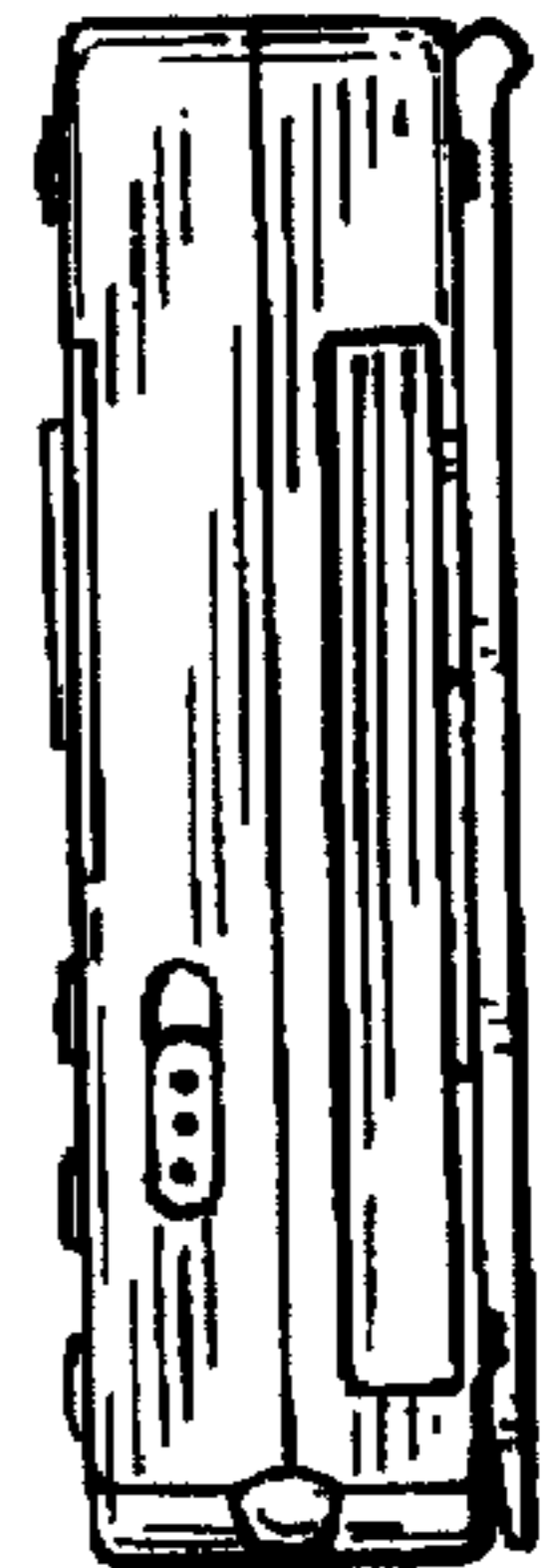


FIG. 4

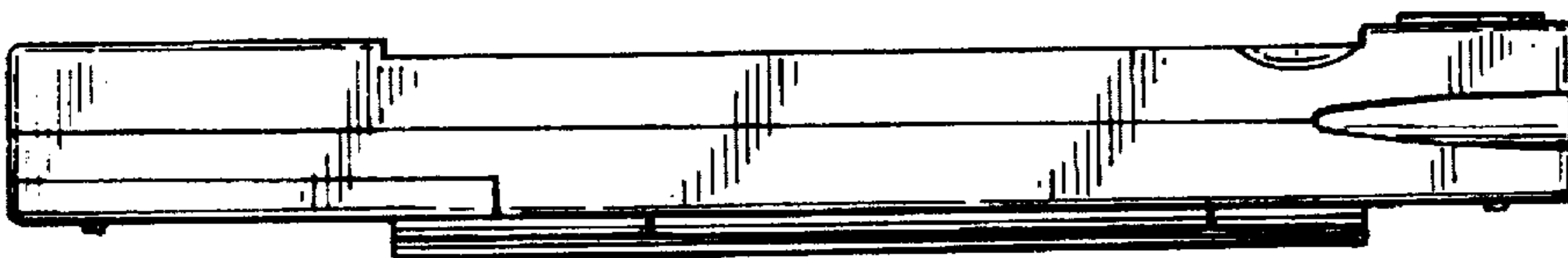




FIG. 6

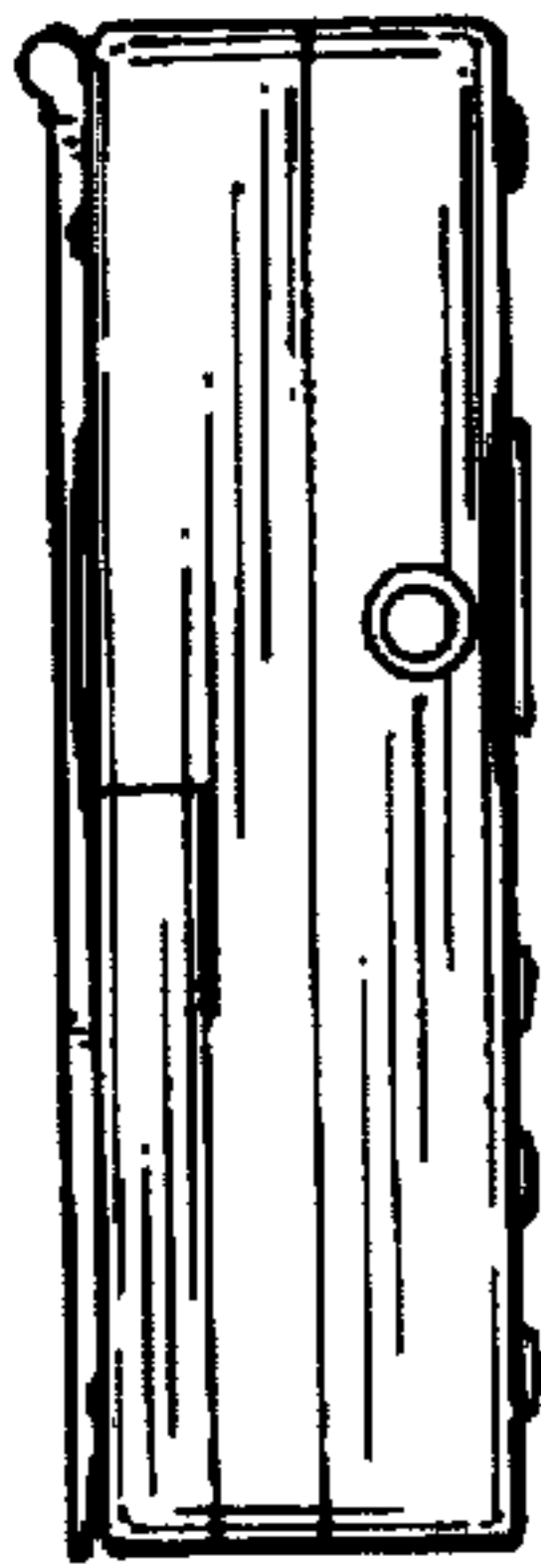


FIG. 7

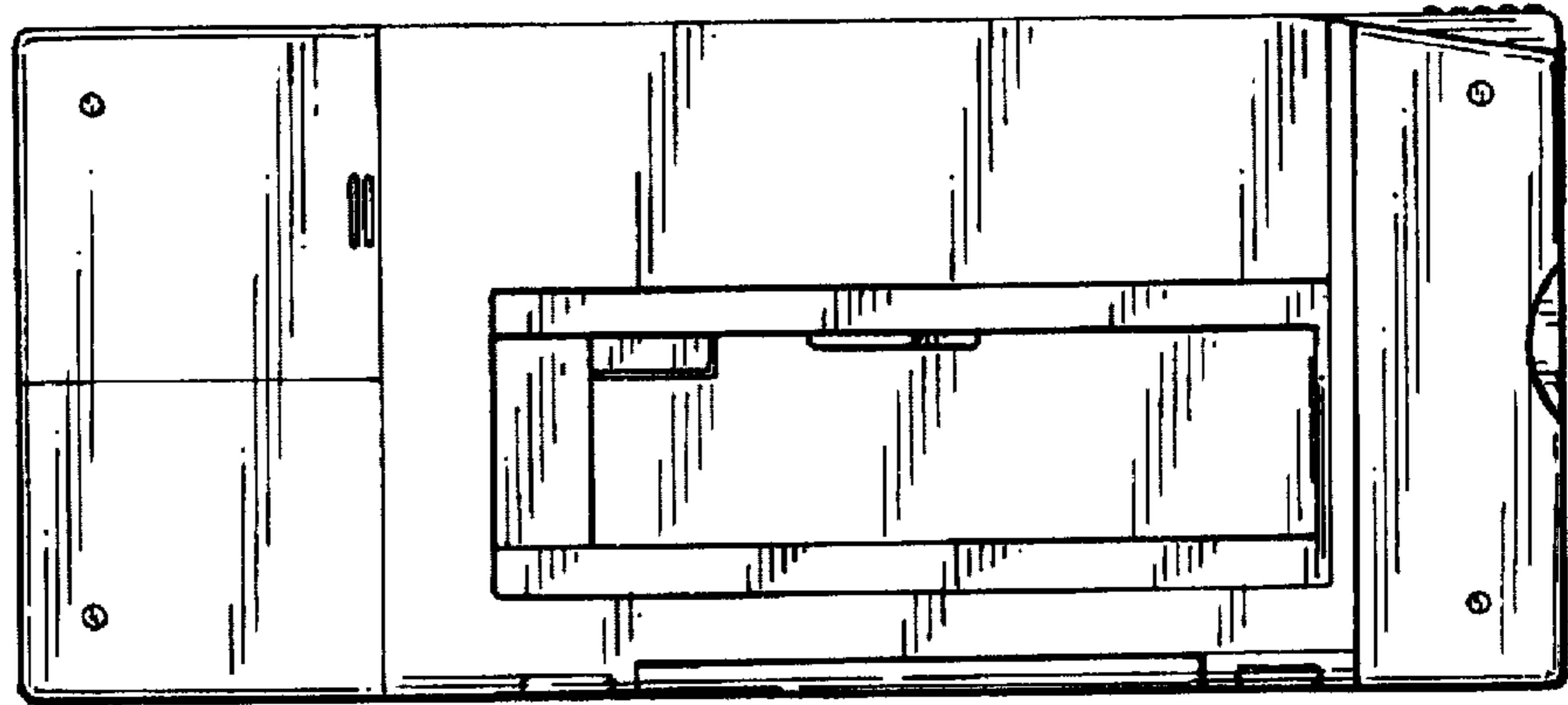


FIG. 8

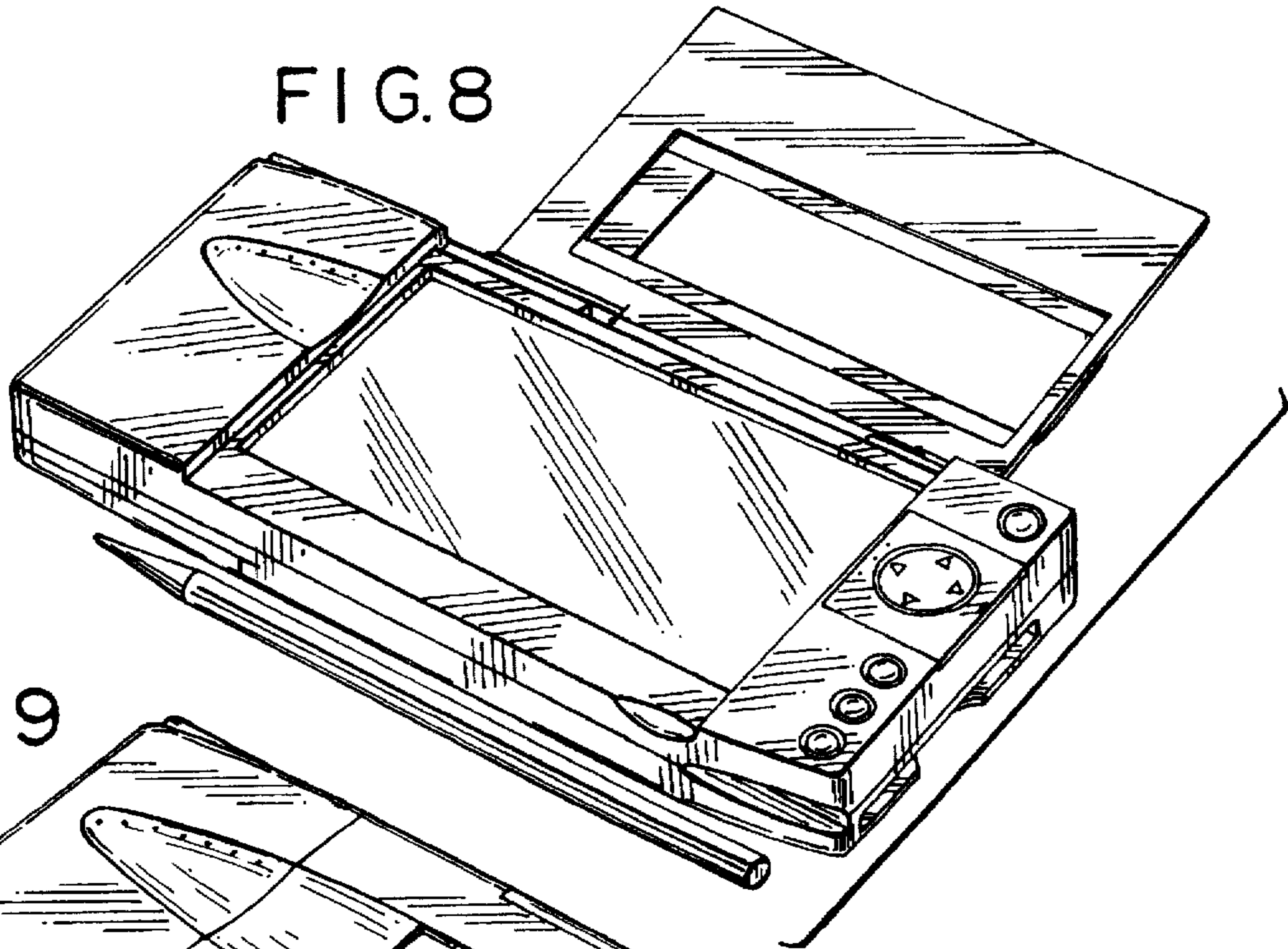


FIG. 9

