



US00D389459S

United States Patent [19]

Byrne

[11] Patent Number: Des. 389,459

[45] Date of Patent: **Jan. 20, 1998

[54] ELECTRICAL SERVICE OUTLET

[76] Inventor: Norman R. Byrne, 2736 Honey Creek, NE., Ada, Mich. 49301

[**] Term: 14 Years

[21] Appl. No.: 31,356

[22] Filed: Nov. 23, 1994

[51] LOC (6) Cl. 13-03

[52] U.S. Cl. D13/143

[58] Field of Search D13/143, 147, D13/164; 439/535, 536, 538; 174/148, 149; 361/641

[56] References Cited

U.S. PATENT DOCUMENTS

4,266,266 5/1981 Sanner 174/67 X
5,195,288 3/1993 Penczak 174/48 X

Primary Examiner—Joel Sincavage

Attorney, Agent, or Firm—Varnum, Riddering, Schmidt & Howlett LLP

[57] CLAIM

The ornamental design for an electrical service outlet, as shown and described.

DESCRIPTION

FIG. 1 is a perspective view of an electrical service outlet which embodies my design;

FIG. 2 is a front elevational view thereof;

FIG. 3 is a rear elevational view thereof;

FIG. 4 is a top plan view thereof;

FIG. 5 is a bottom plan view thereof;

FIG. 6 is a left side view thereof, the right side thereof being a mirror image thereof; and

FIG. 7 is an alternative embodiment thereof;

FIG. 8 is a perspective view of a further alternative embodiment of an electrical service outlet which embodies my design;

FIG. 9 is a front elevational view thereof;

FIG. 10 is a rear elevational view thereof;

FIG. 11 is a top plan view thereof;

FIG. 12 is a bottom plan view thereof; and

FIG. 13 is a left side view thereof, the right side thereof being a mirror image thereof;

FIG. 14 is a perspective view of a still further alternative embodiment of an electrical service outlet which embodies my design;

FIG. 15 is a front elevational view thereof;

FIG. 16 is a rear elevational view thereof;

FIG. 17 is a top plan view thereof;

FIG. 18 is a bottom plan view thereof; and

FIG. 19 is a left side view thereof, the right side view thereof being a mirror image thereof;

FIG. 20 is a perspective view of another alternative embodiment of an electrical service outlet which embodies my design;

FIG. 21 is a front elevational view thereof;

FIG. 22 is a rear elevational view thereof;

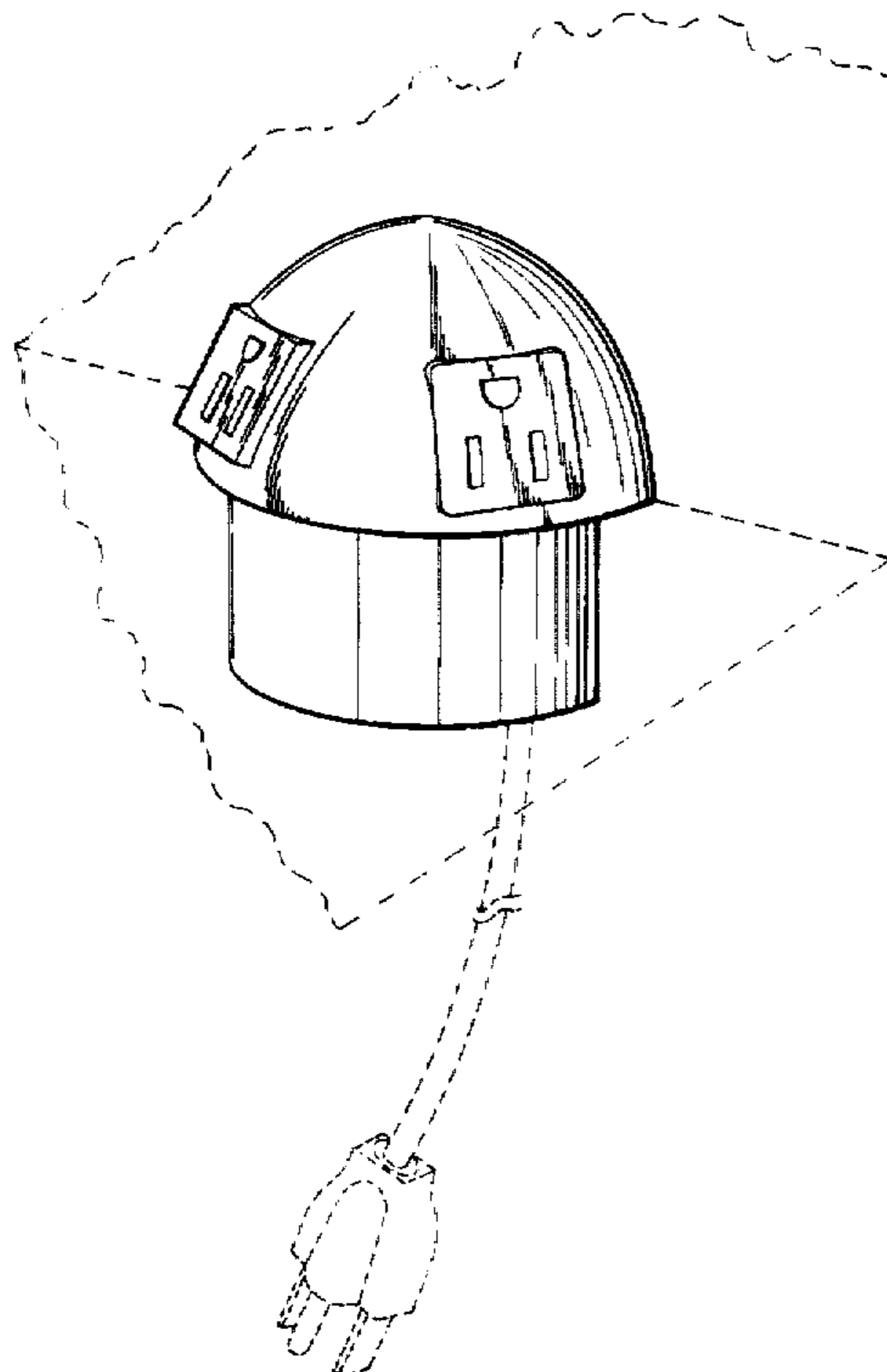
FIG. 23 is a top plan view thereof;

FIG. 24 is a bottom plan view thereof;

FIG. 25 is a left side view thereof, the right side view thereof being a mirror image thereof; and

FIG. 26 is a perspective view of yet another alternative embodiment of an electrical service outlet which embodies my design.

1 Claim, 10 Drawing Sheets



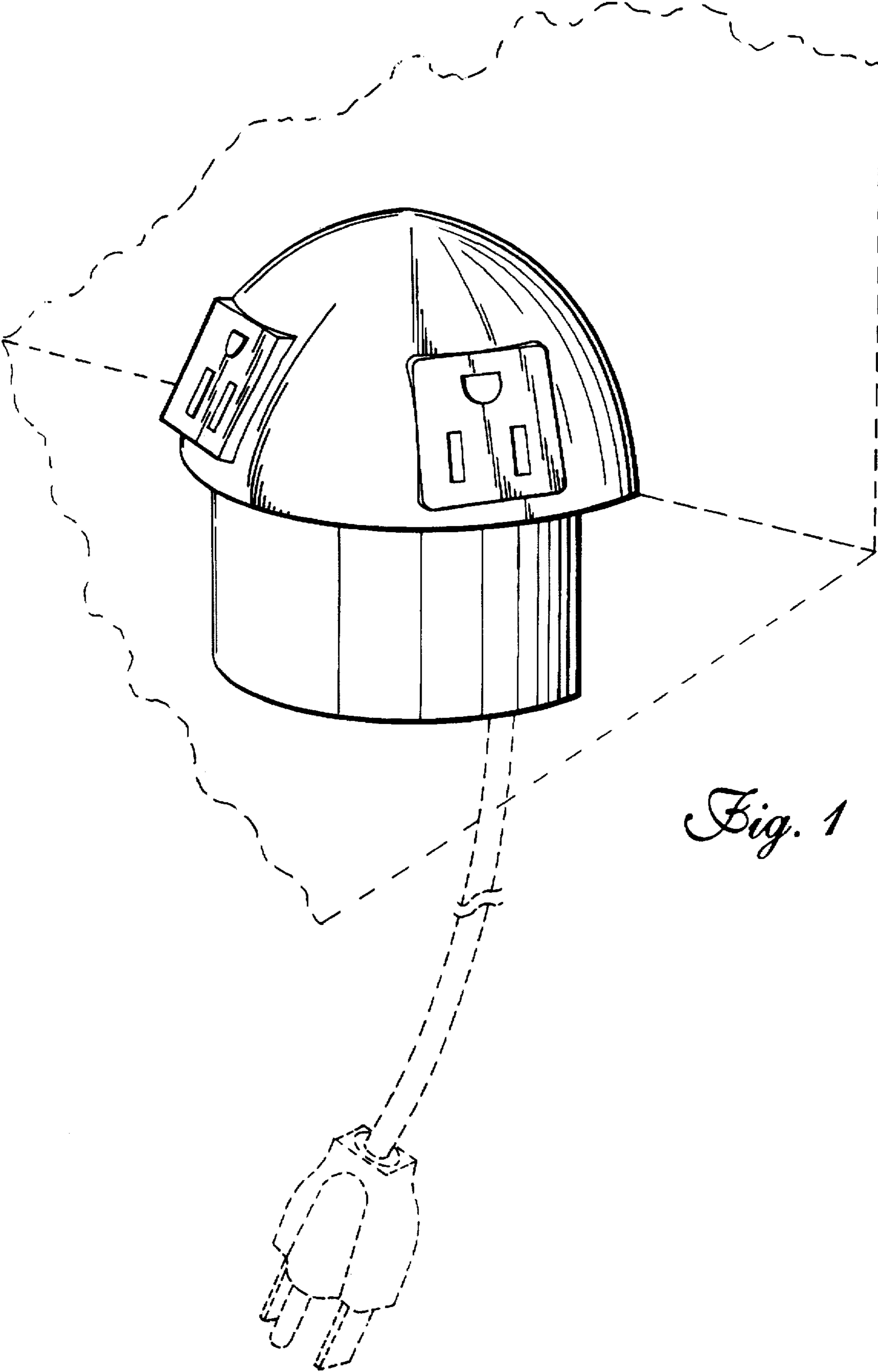


Fig. 1

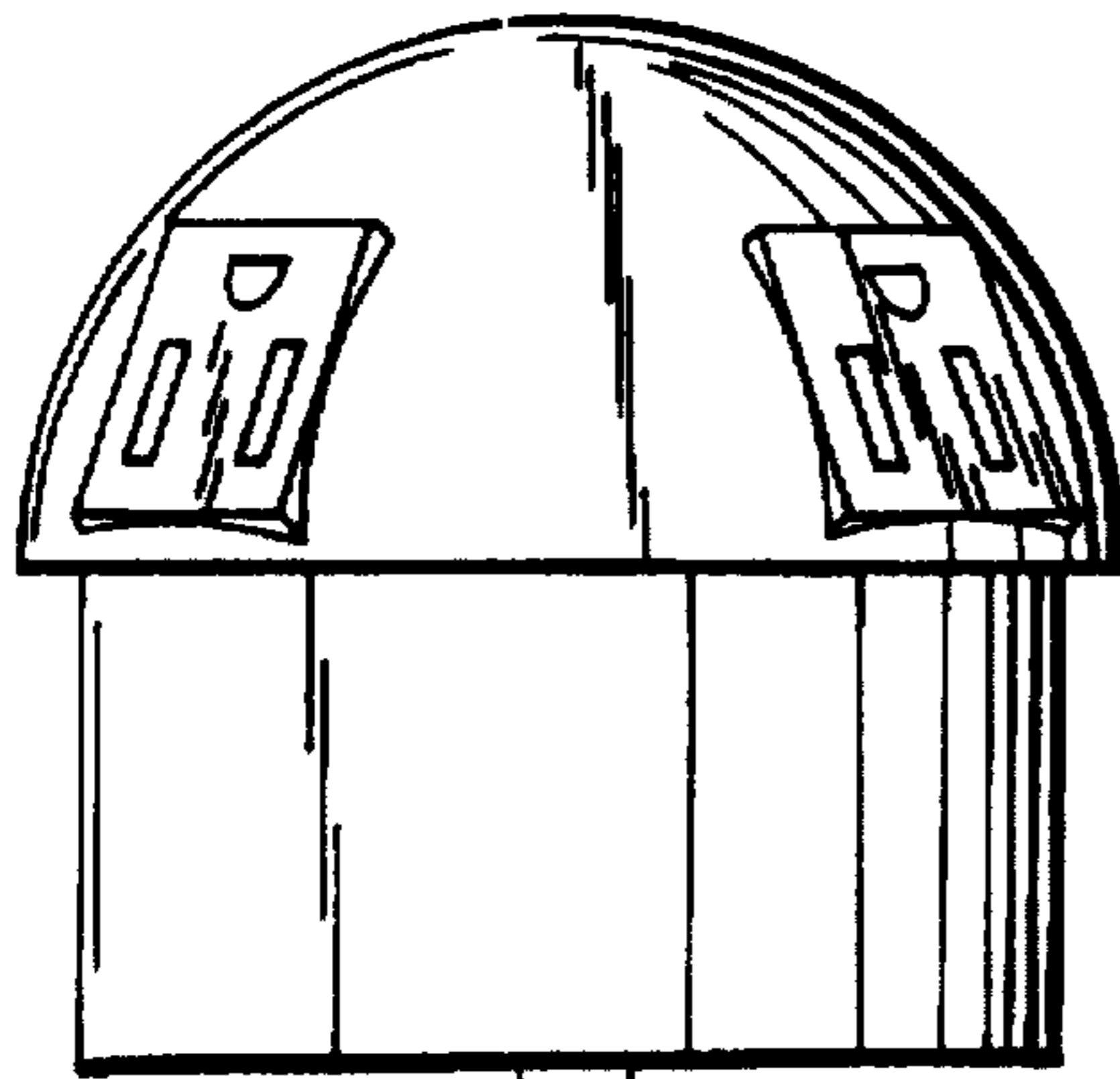


Fig. 2

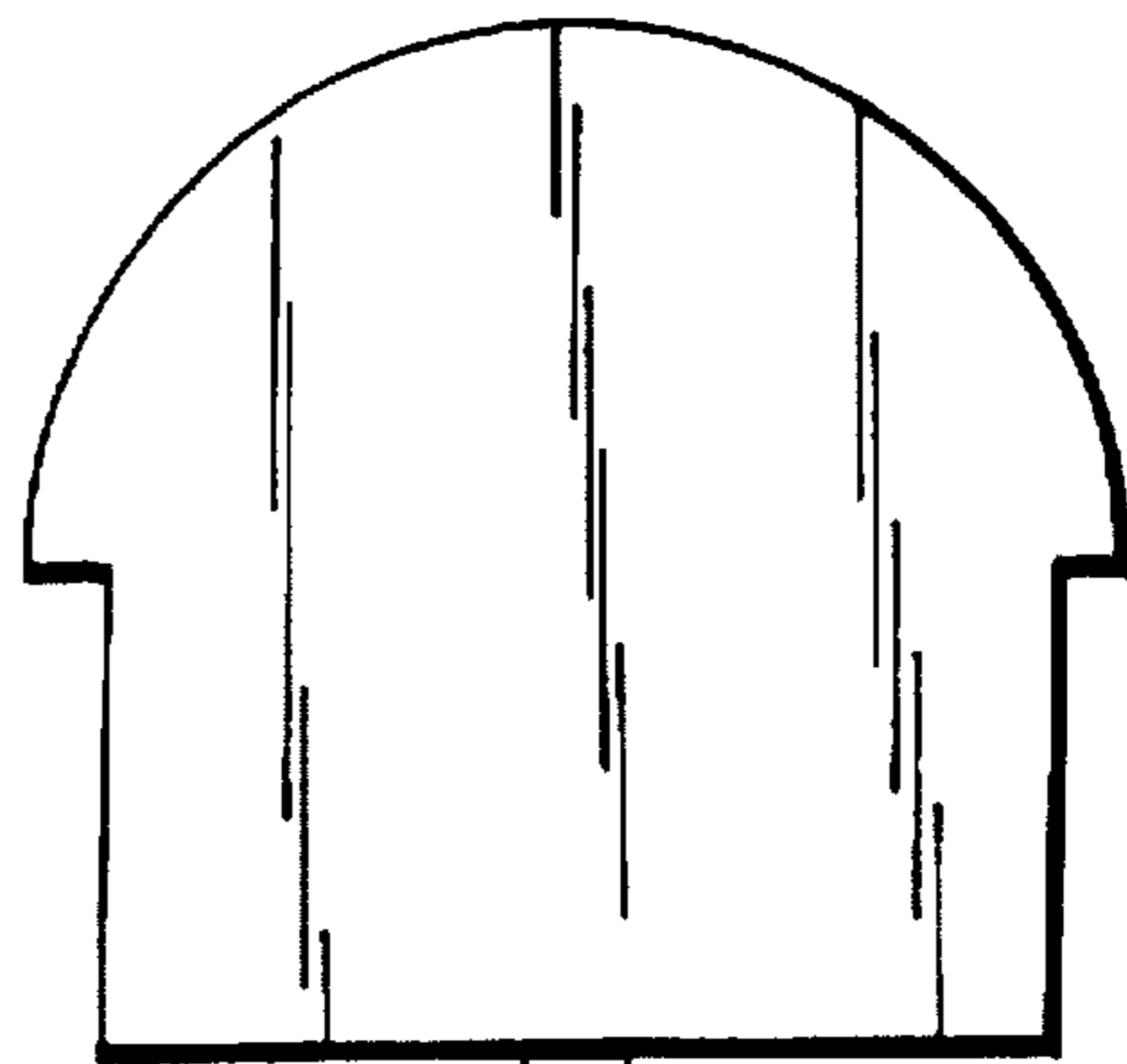


Fig. 3

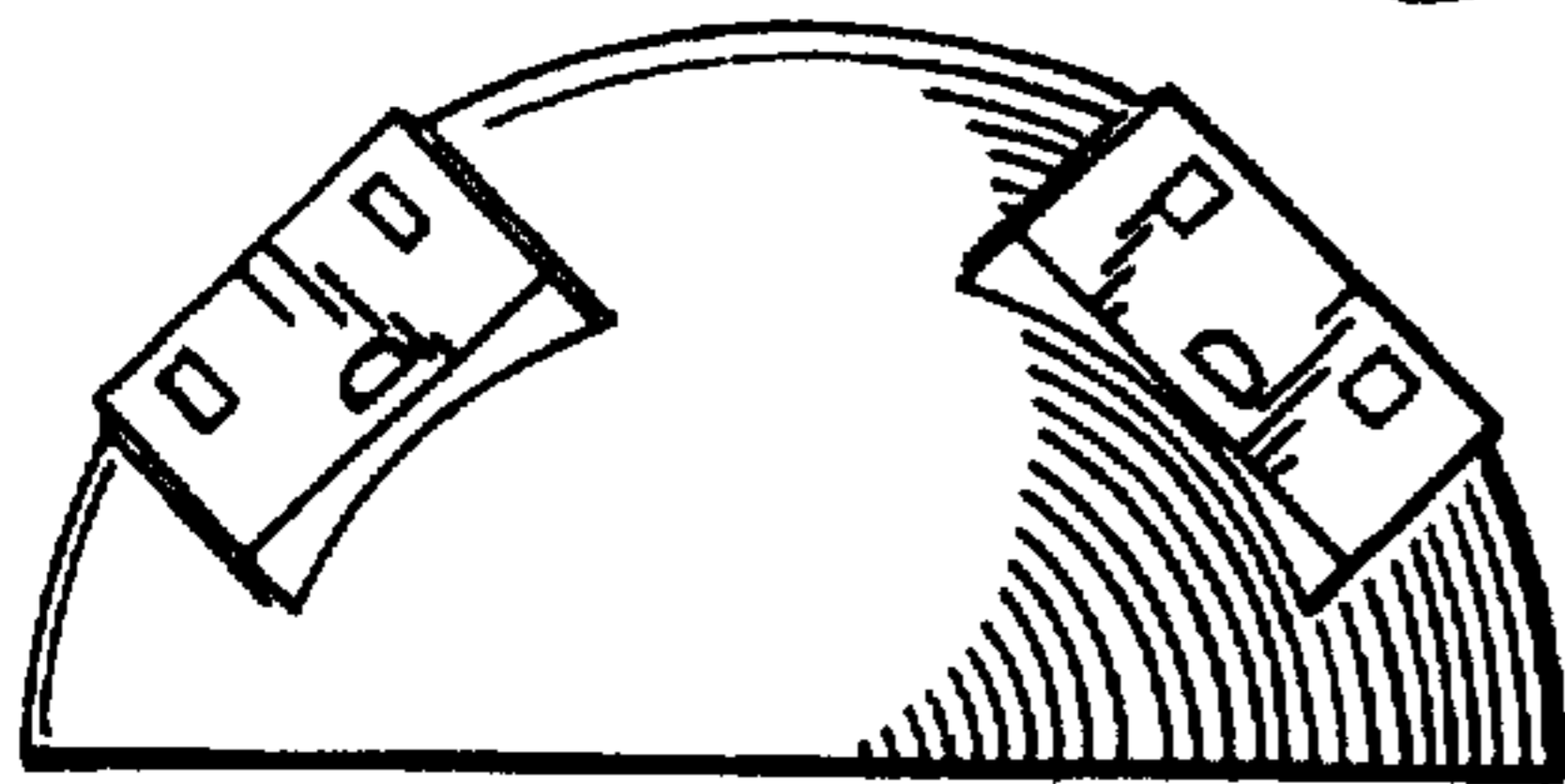


Fig. 4

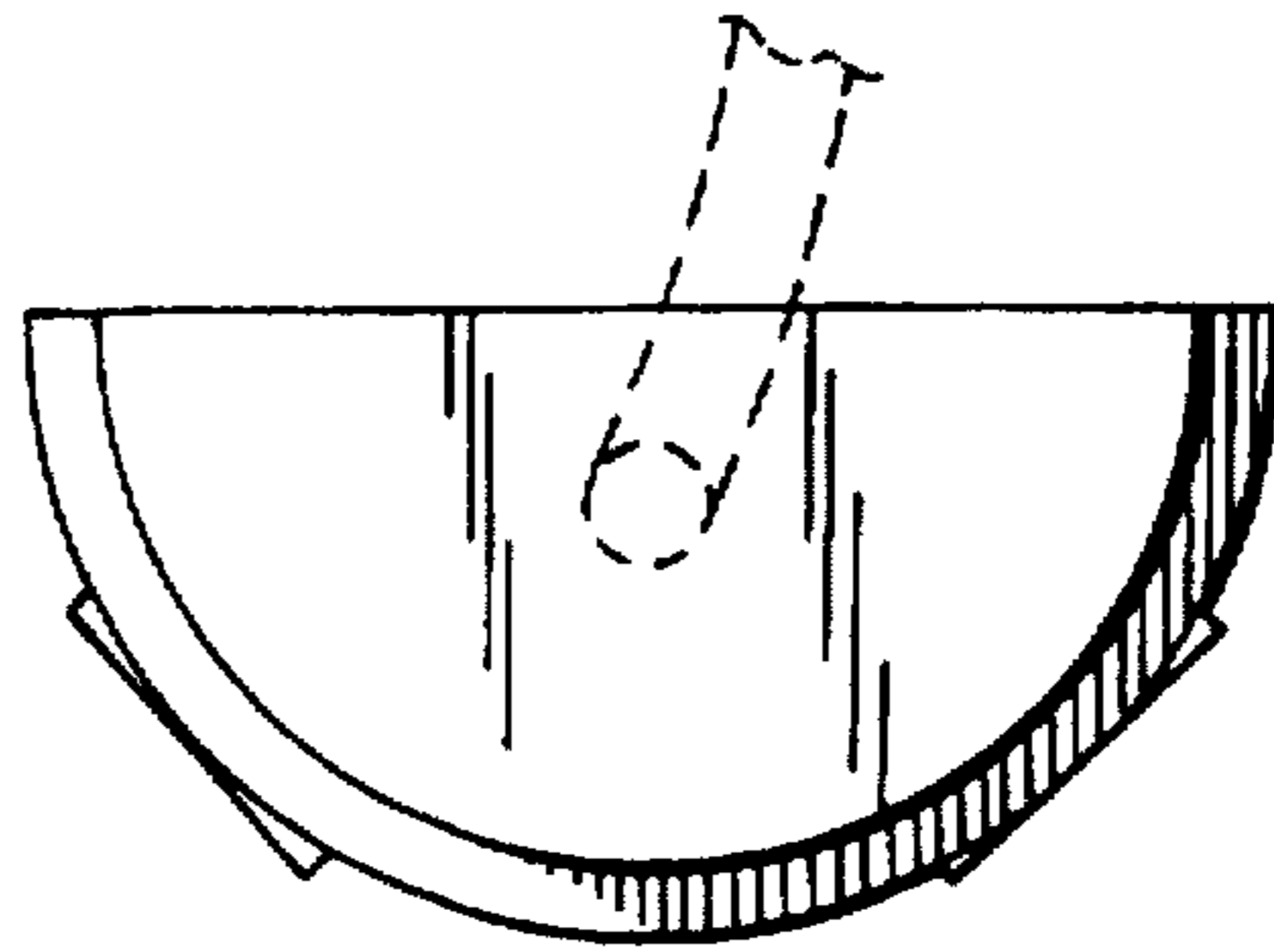


Fig. 5

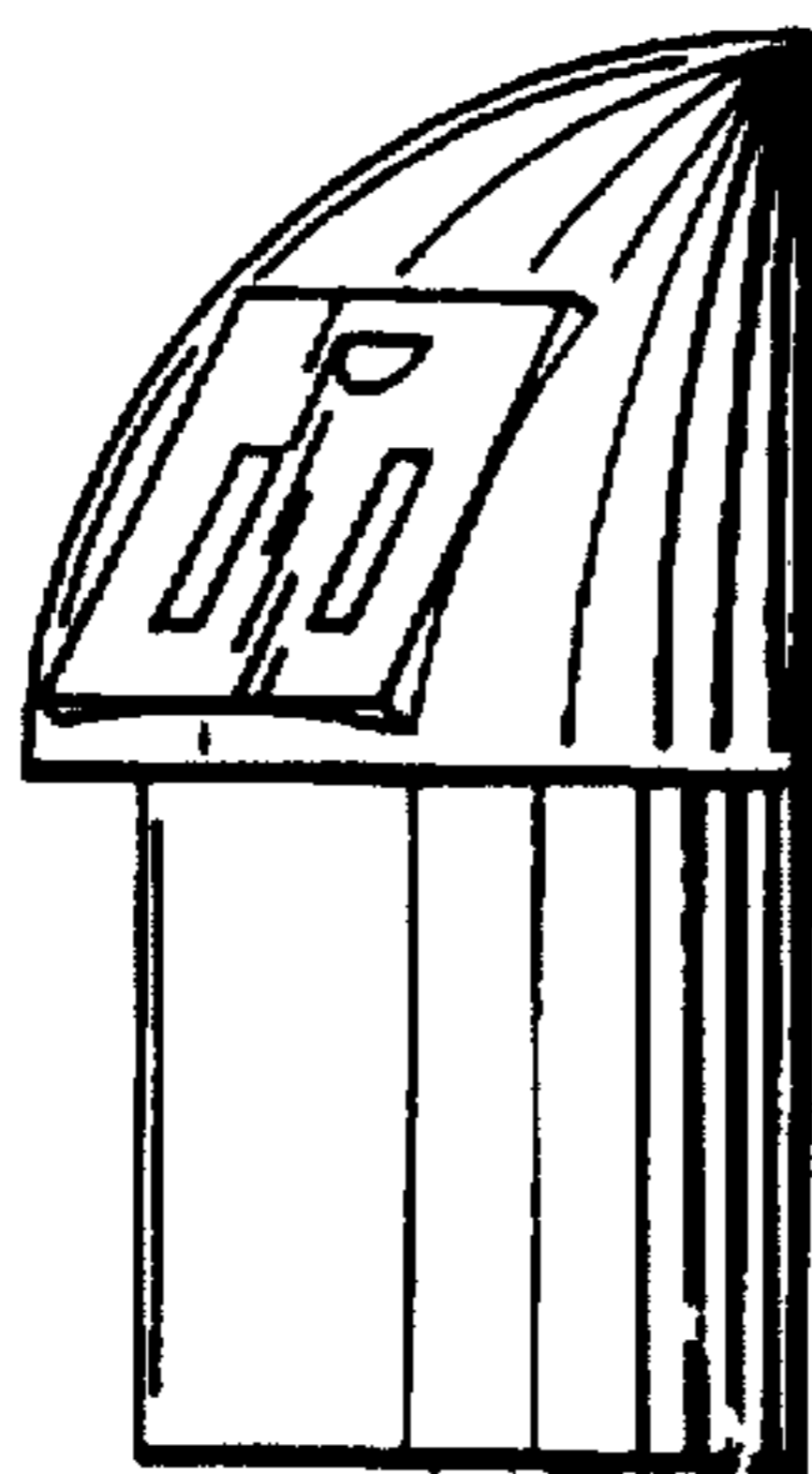


Fig. 6

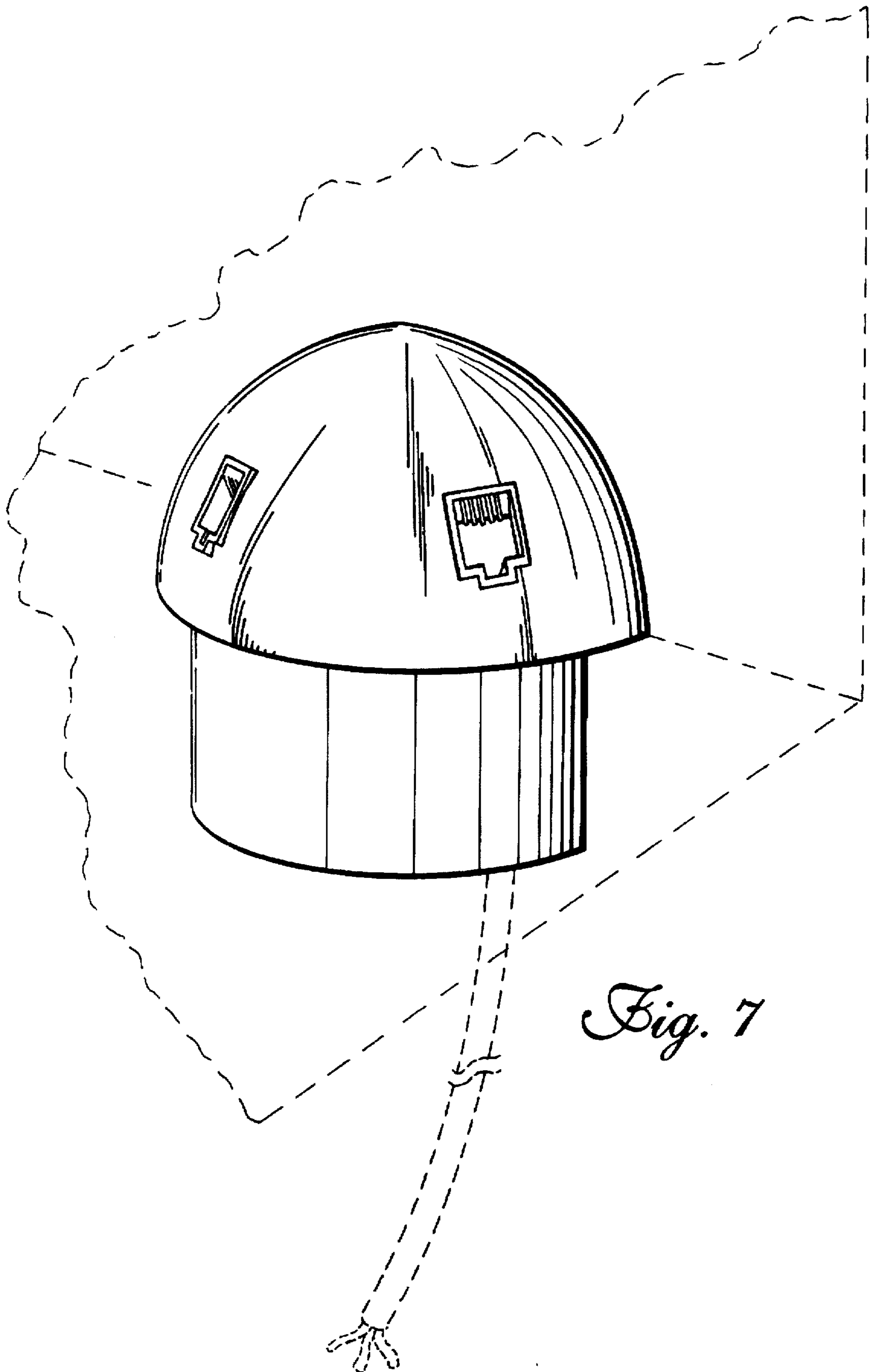


Fig. 7

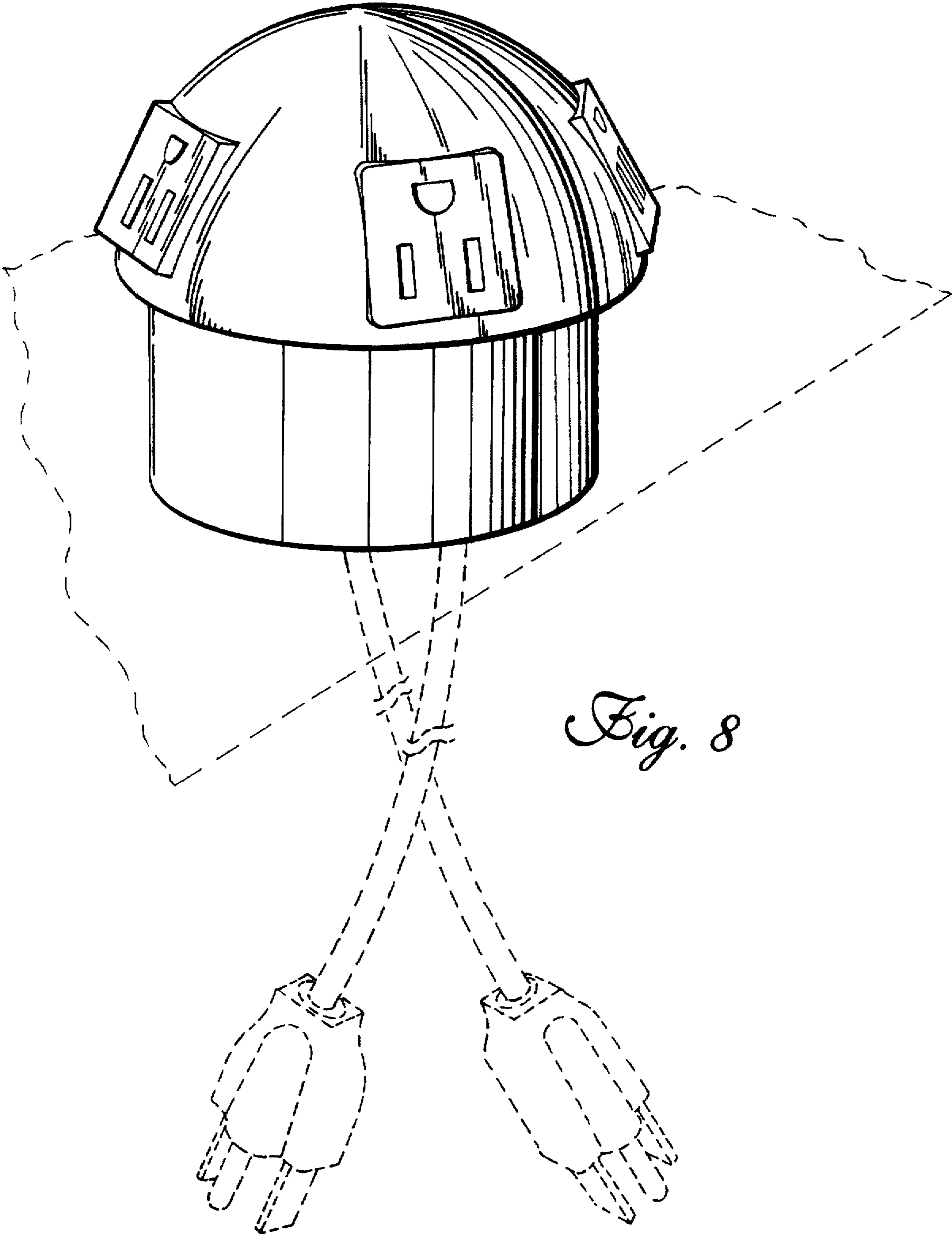


Fig. 8

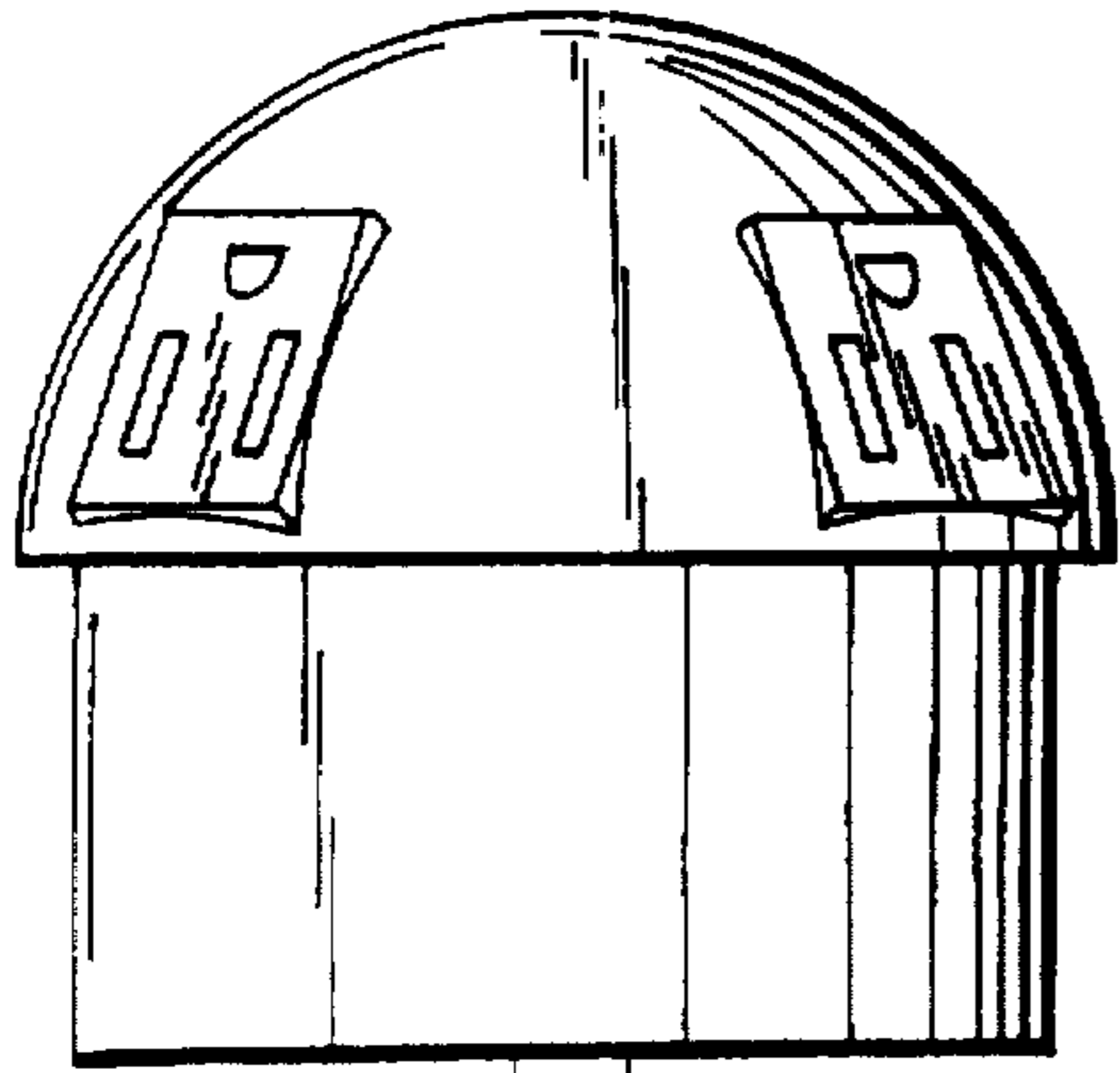


Fig. 9

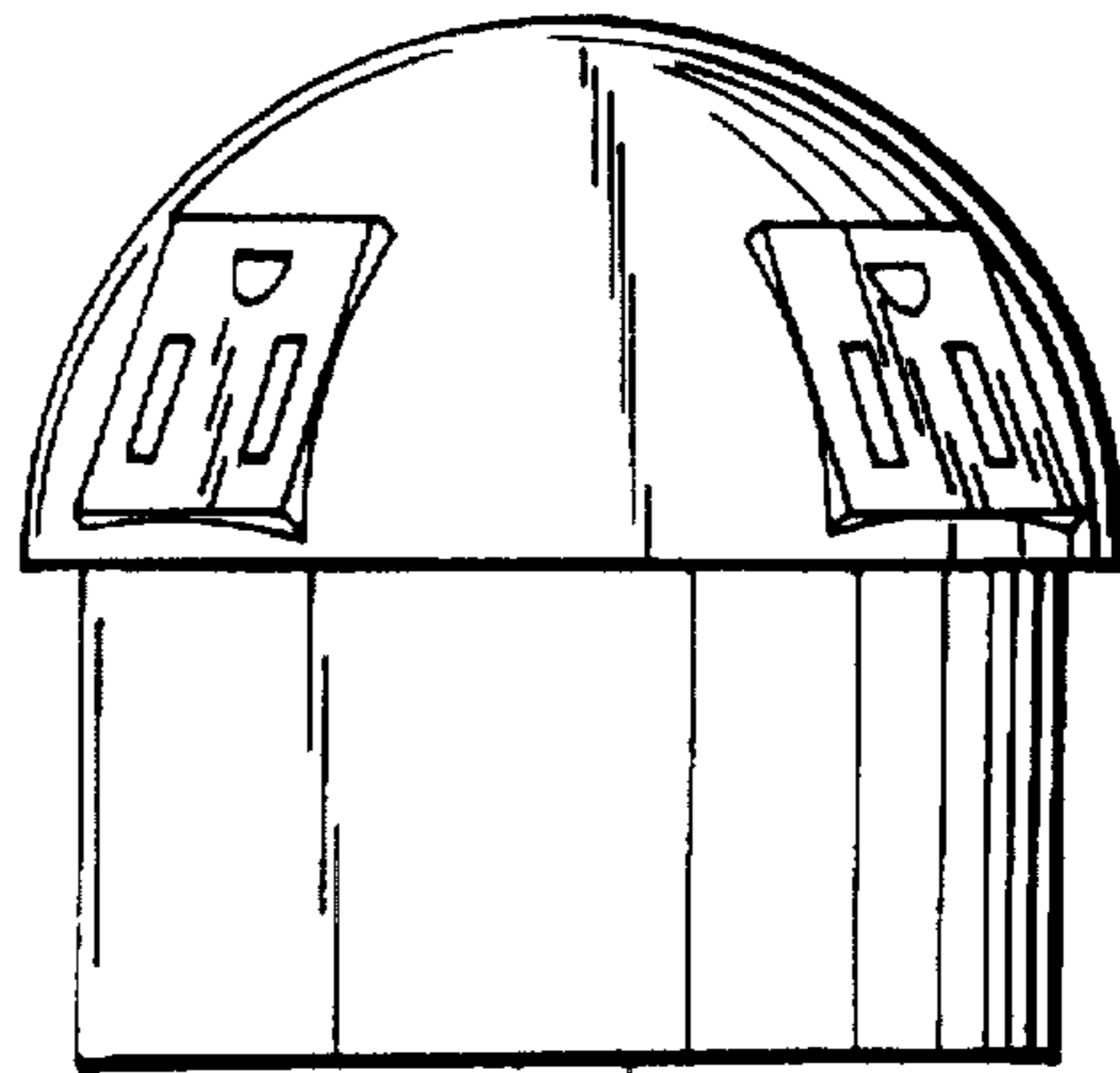


Fig. 10

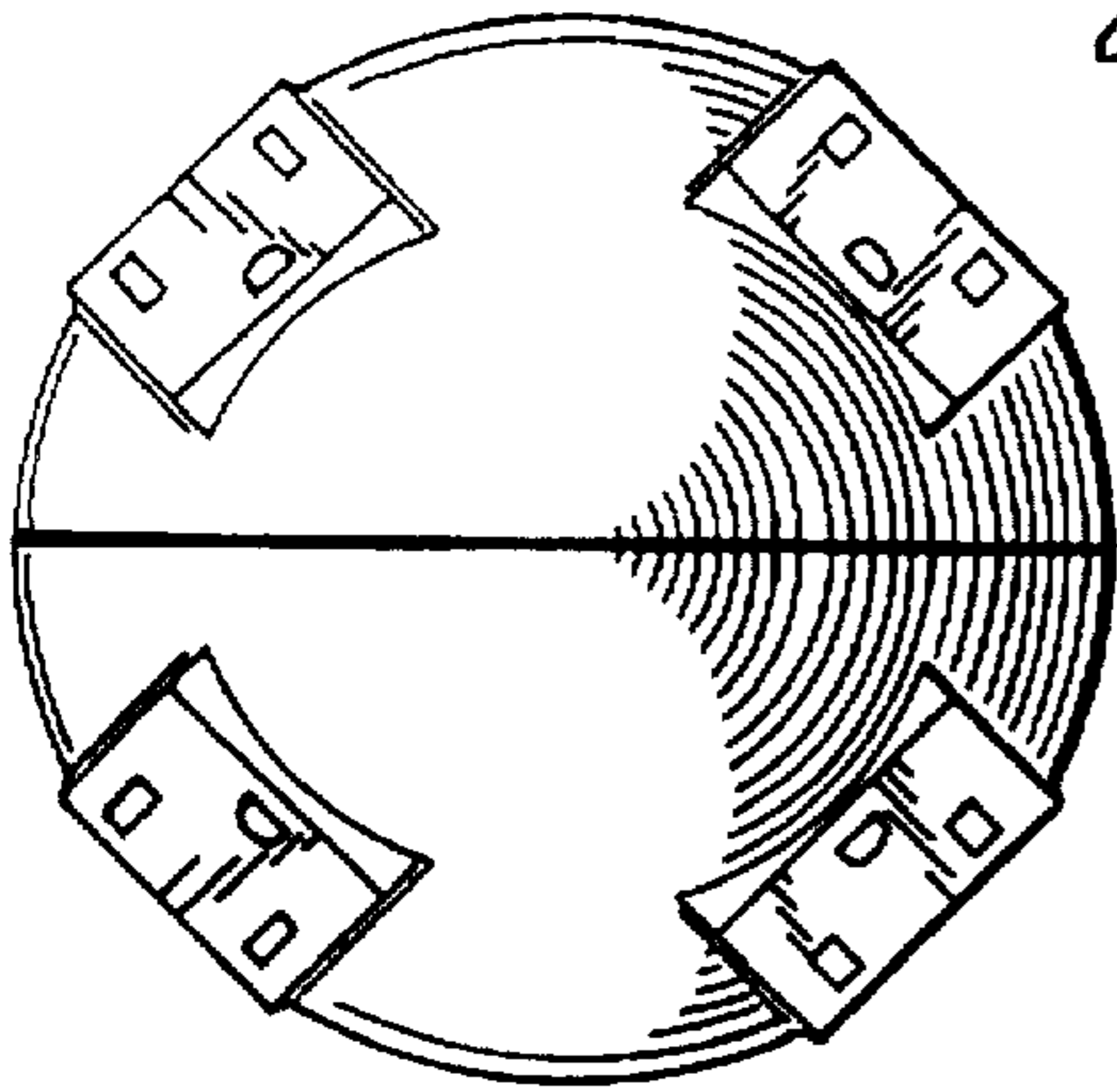


Fig. 13

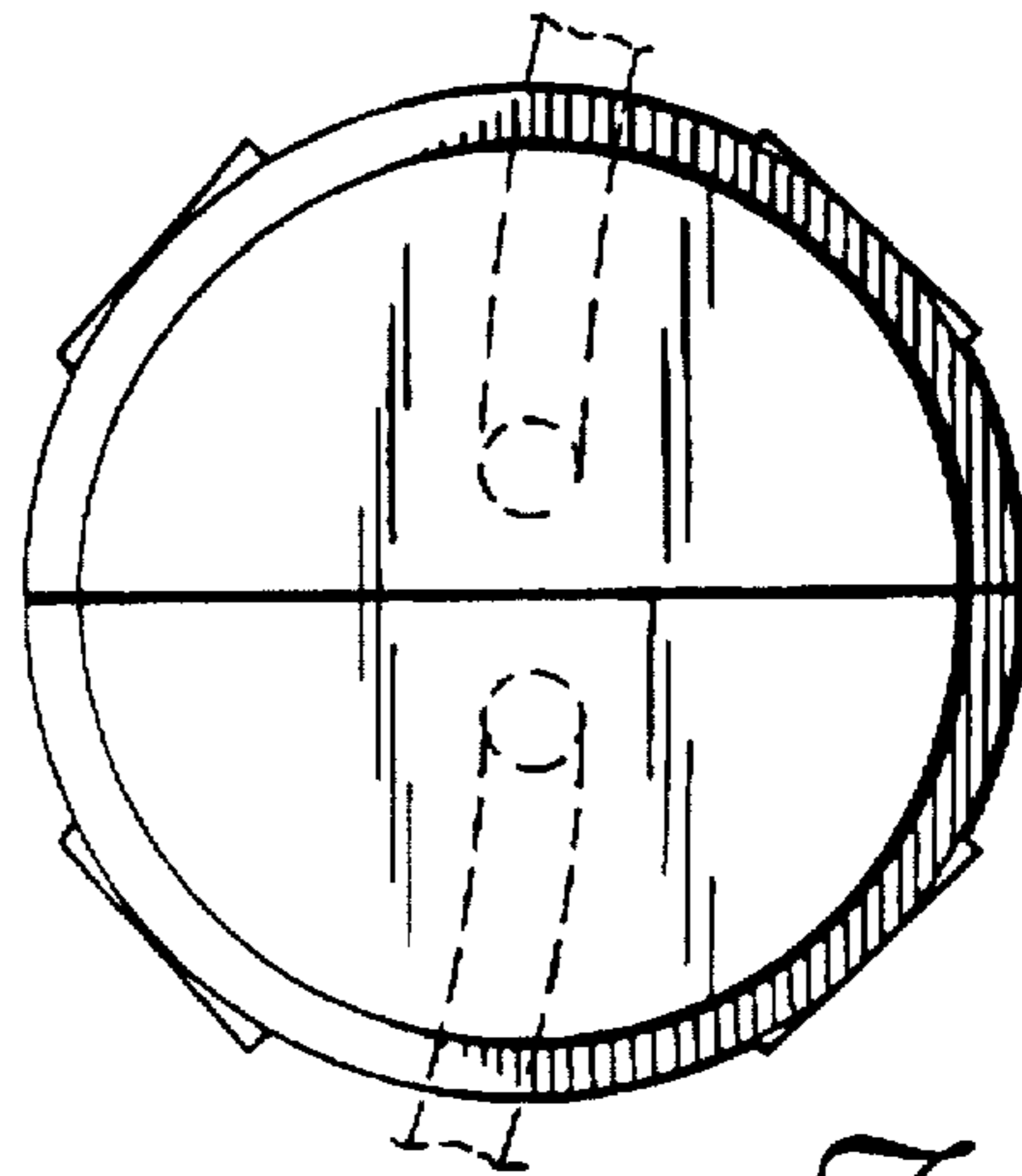


Fig. 12

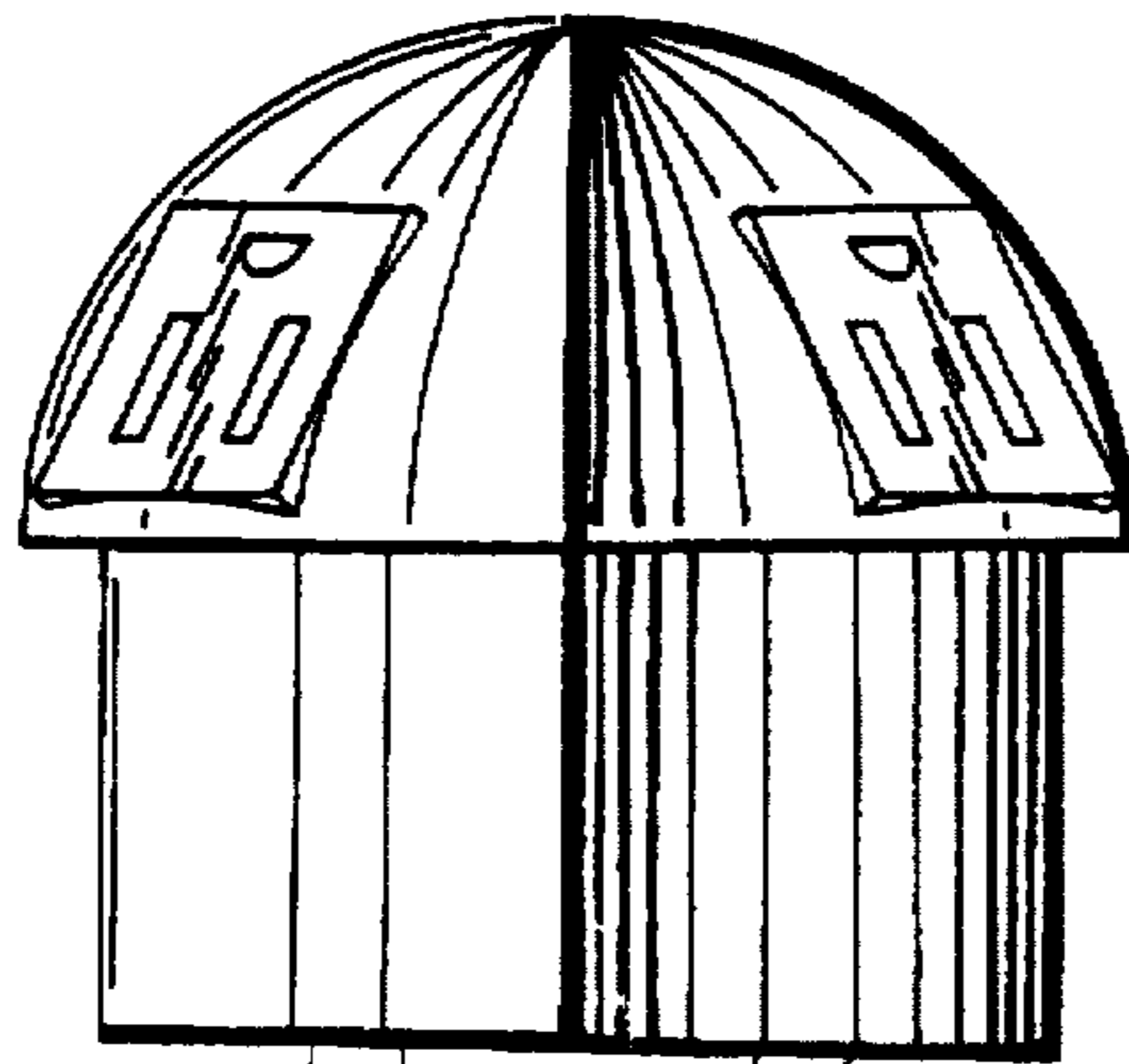
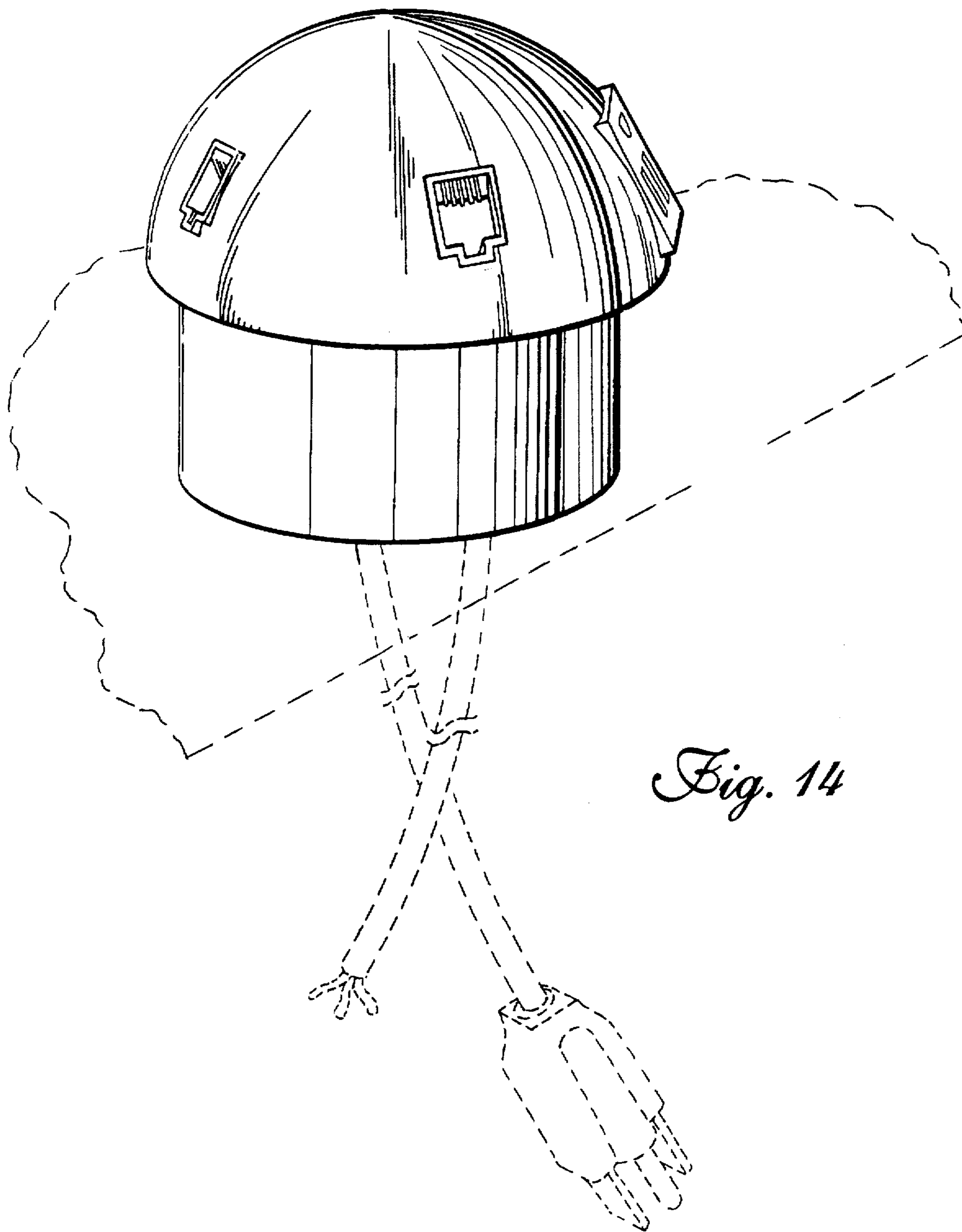


Fig. 11



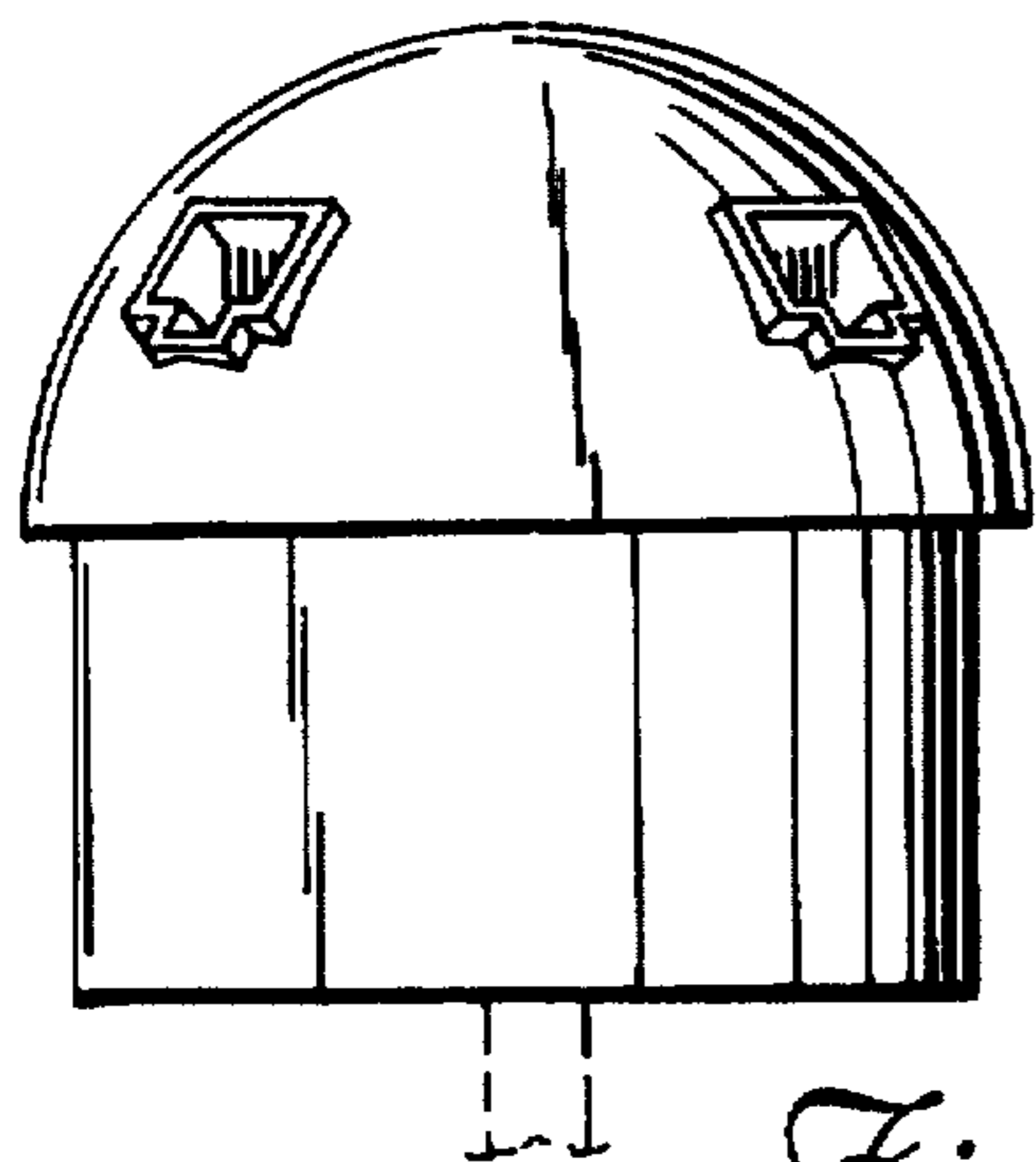


Fig. 15

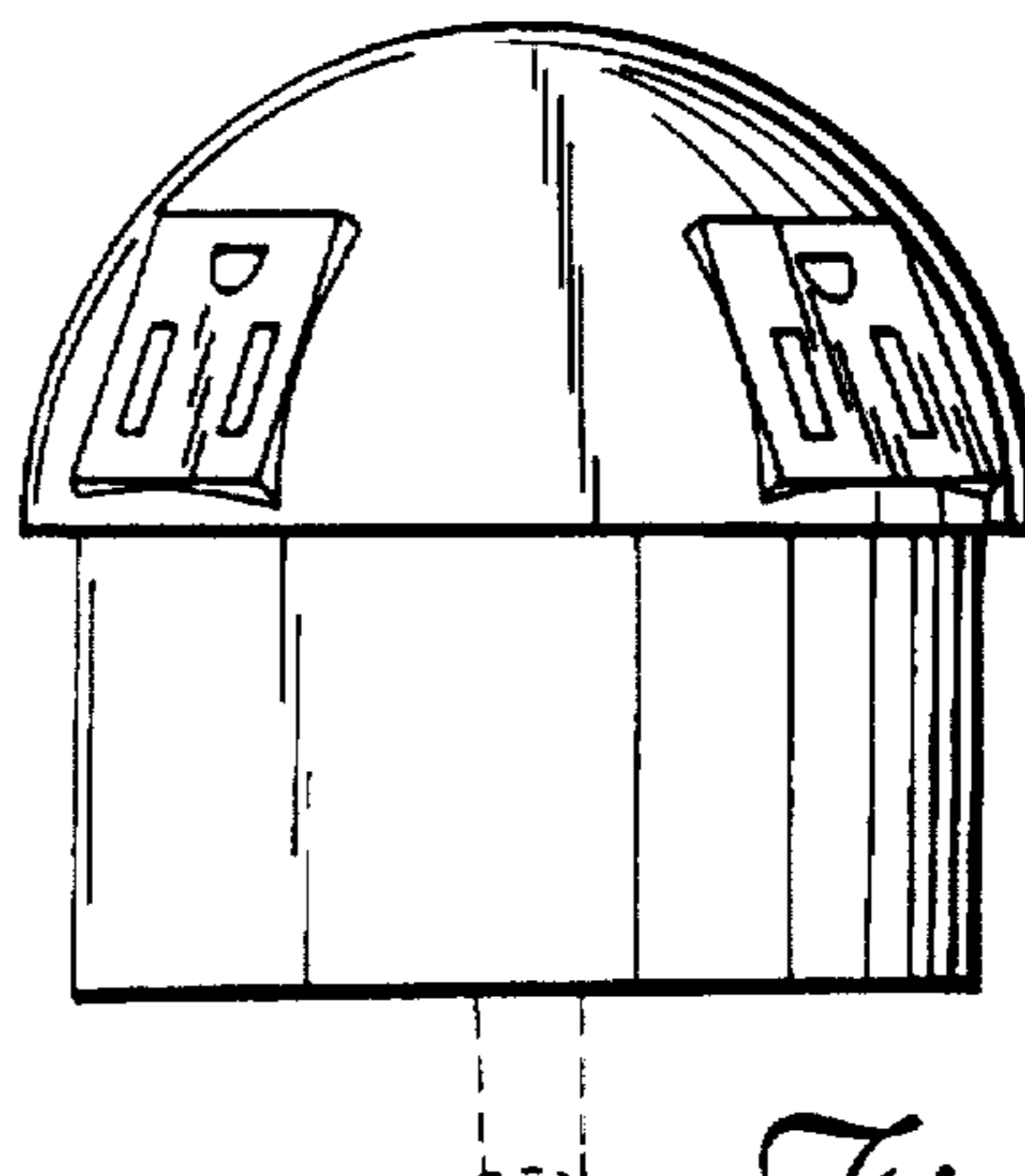


Fig. 16

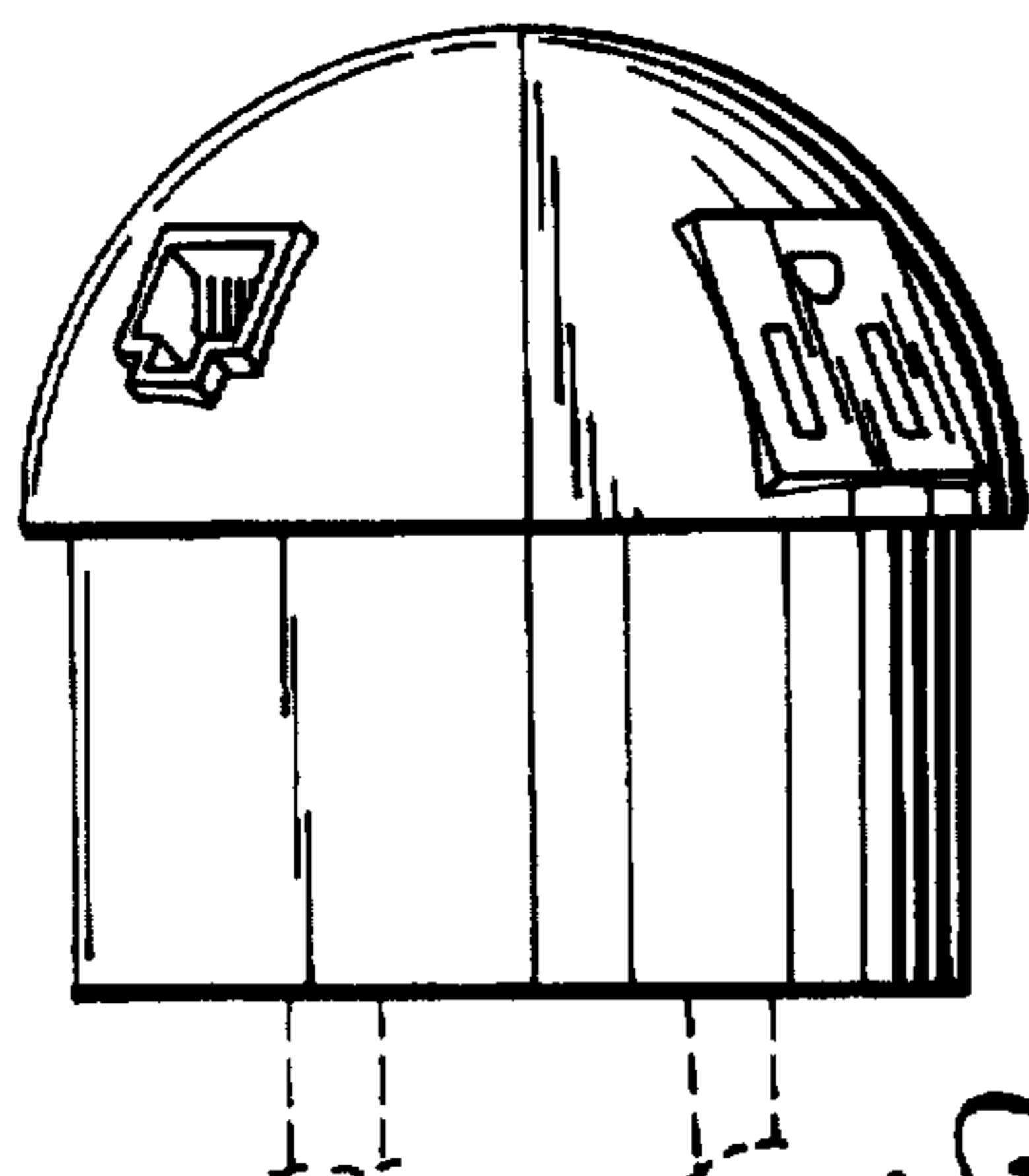


Fig. 19

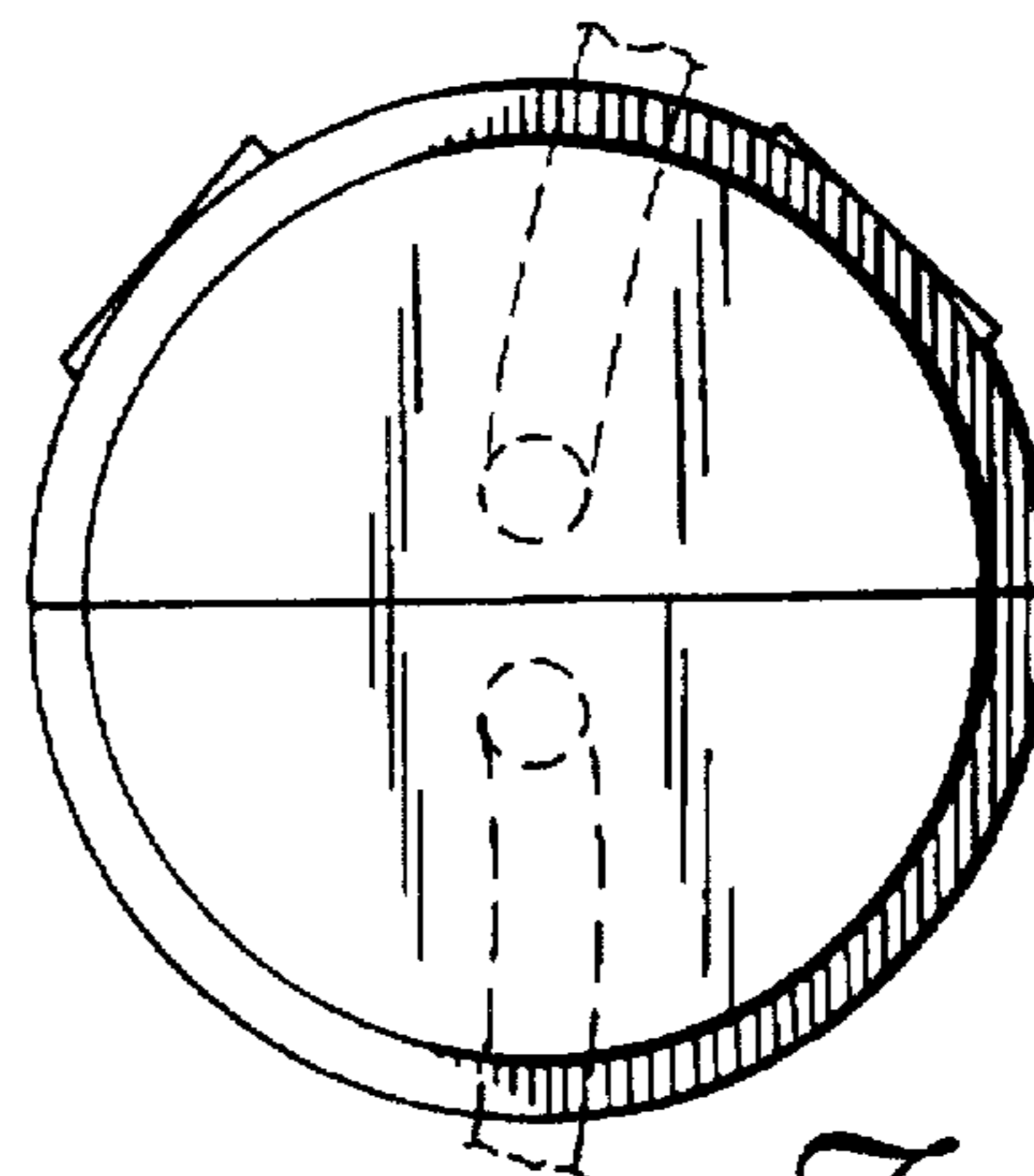


Fig. 18

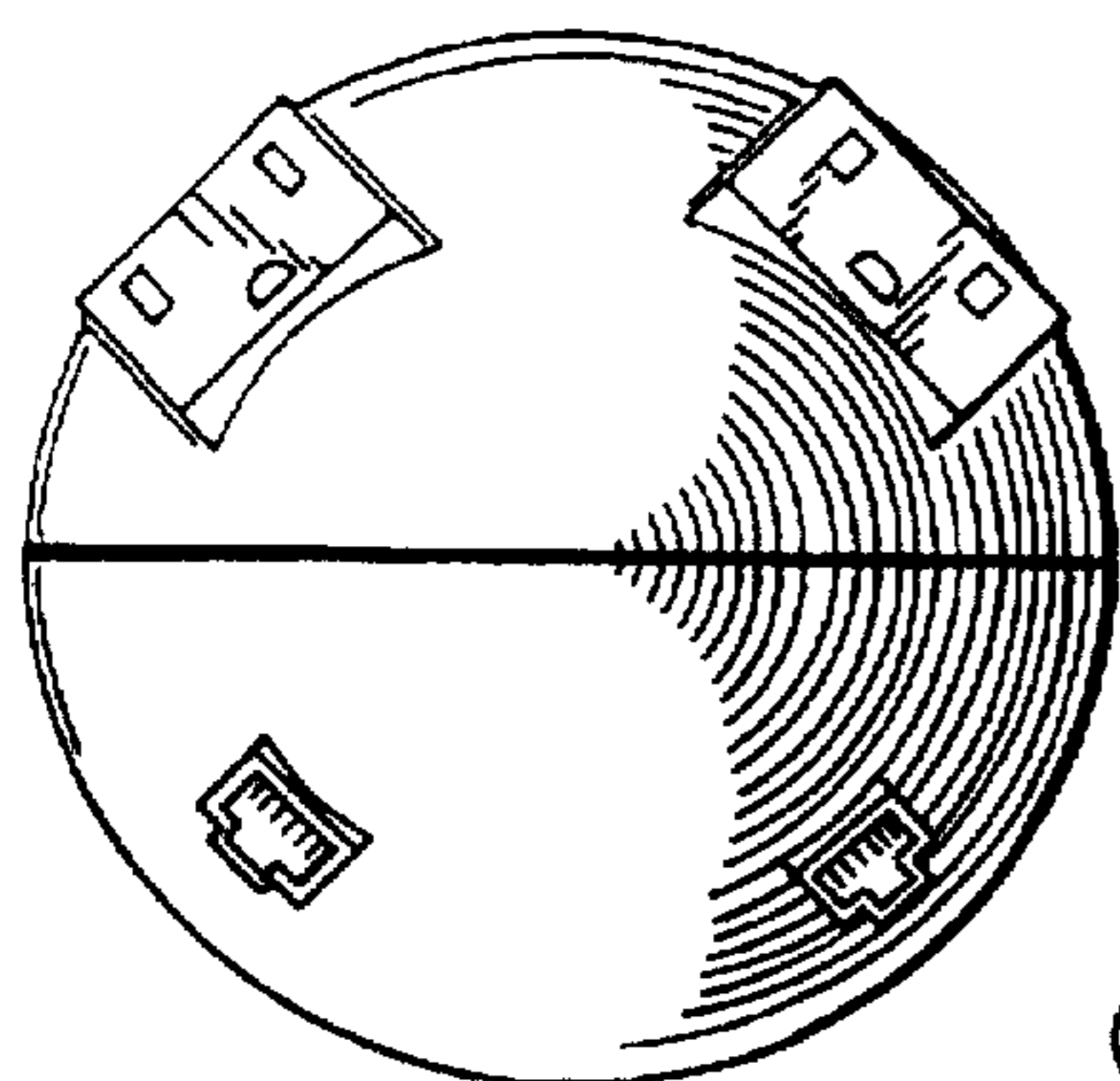
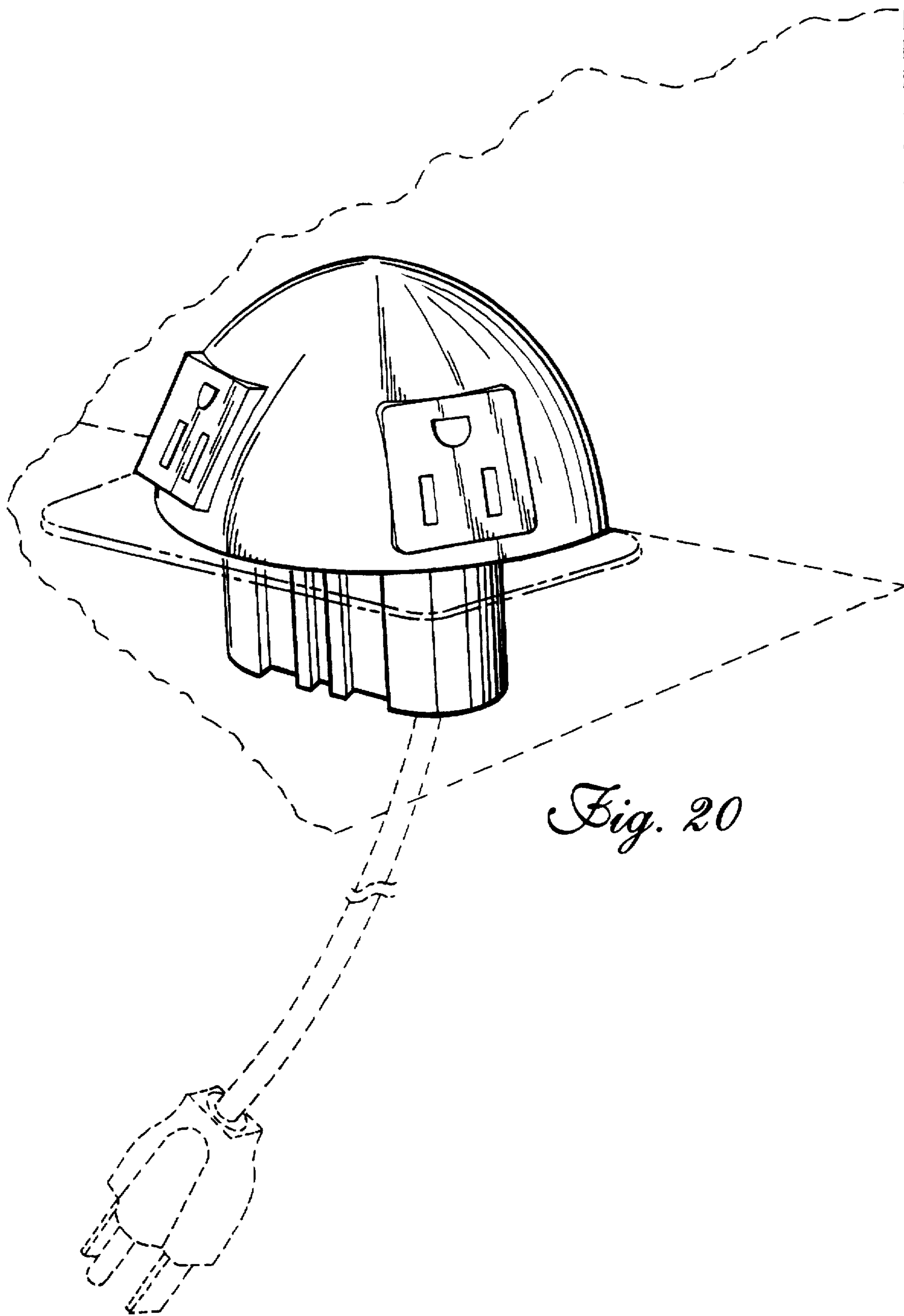


Fig. 17



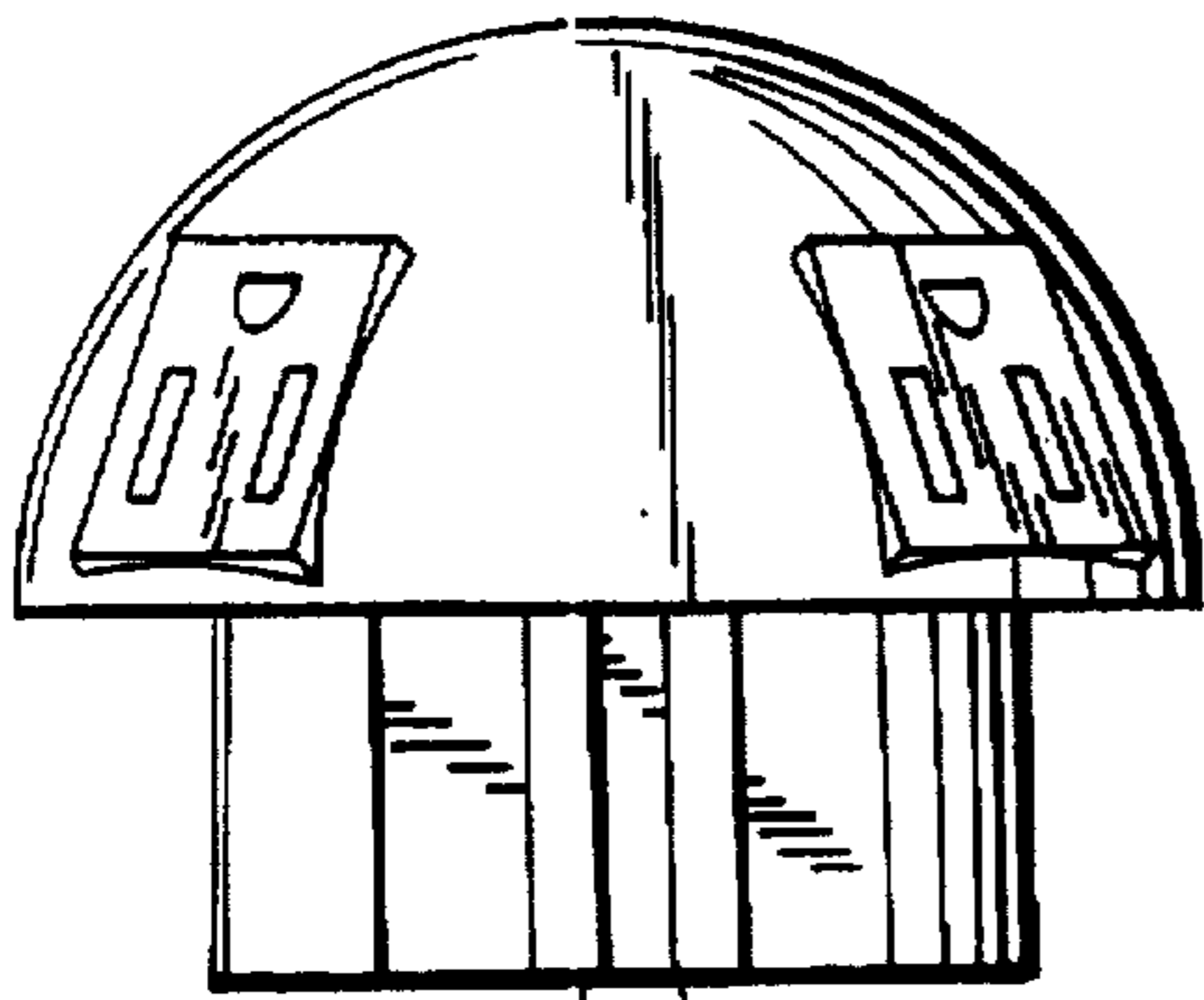


Fig. 21

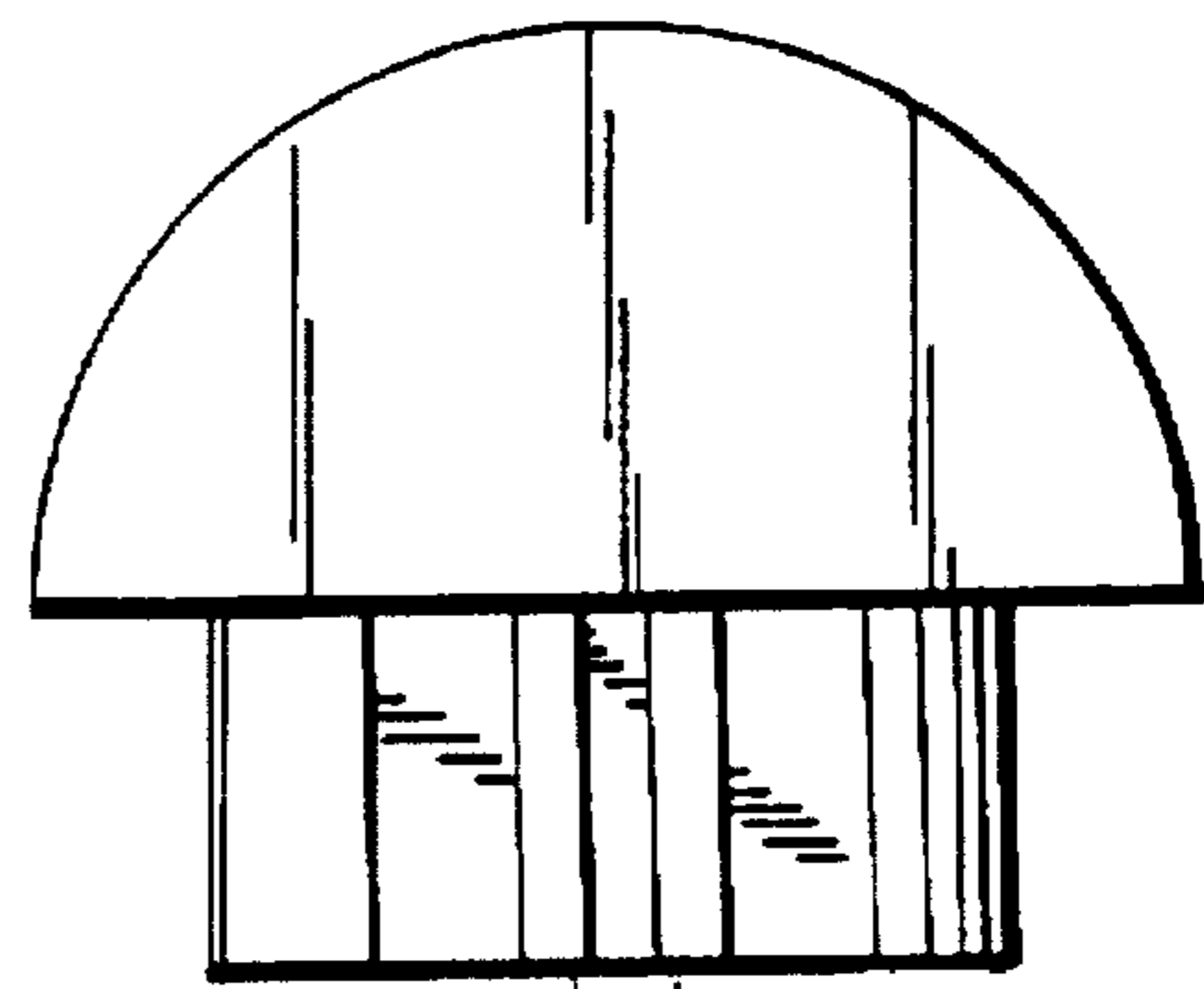


Fig. 22

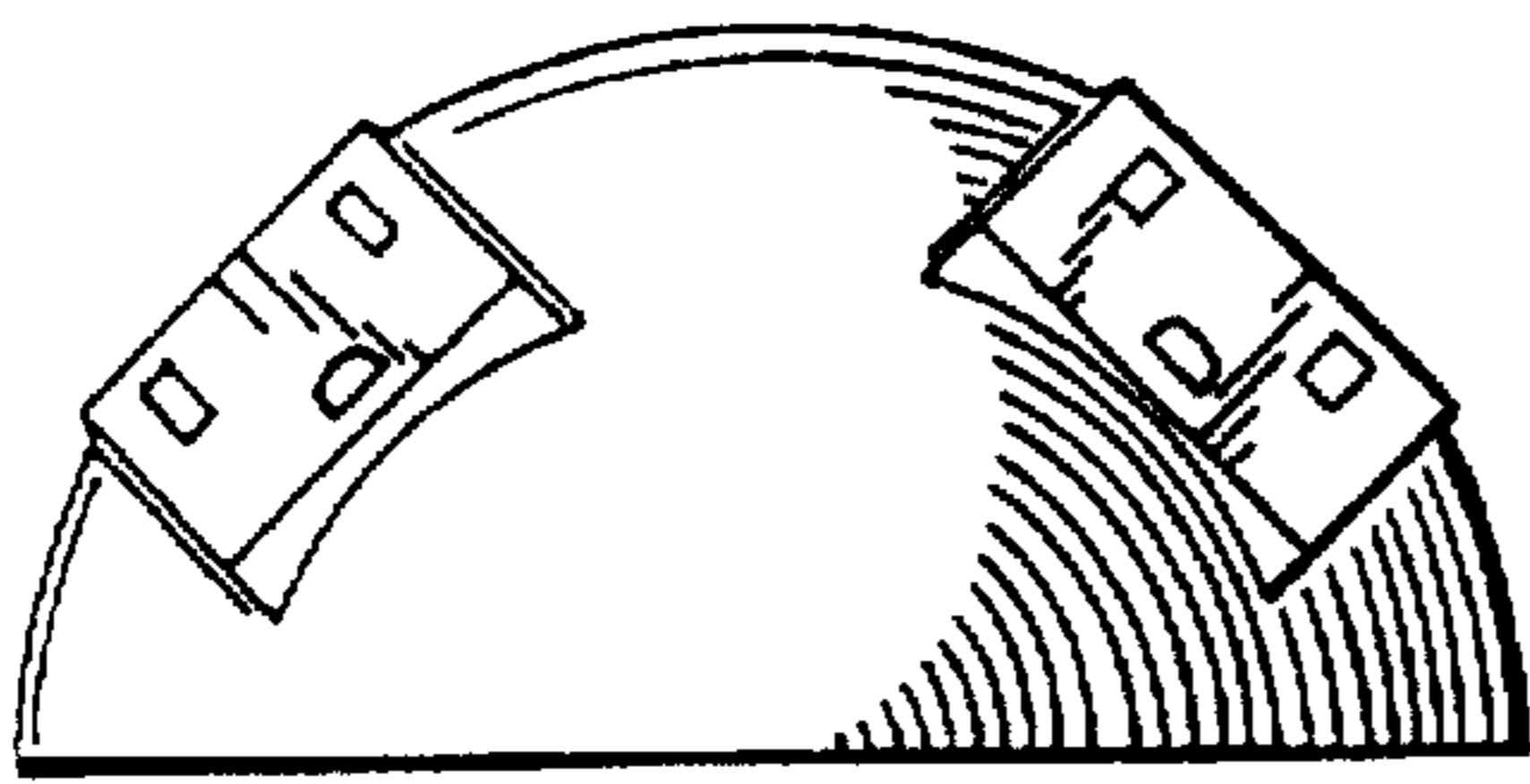


Fig. 23

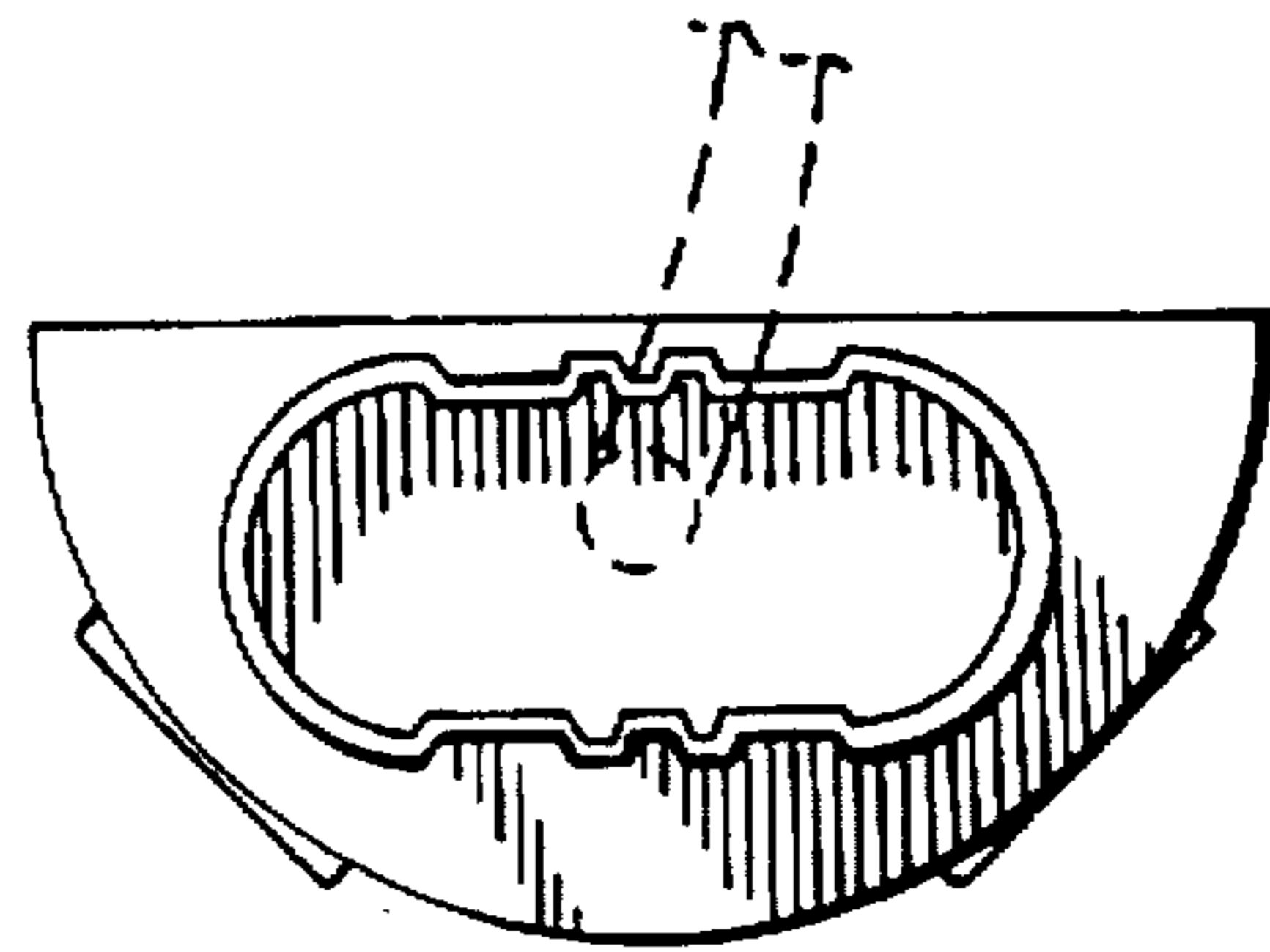


Fig. 24

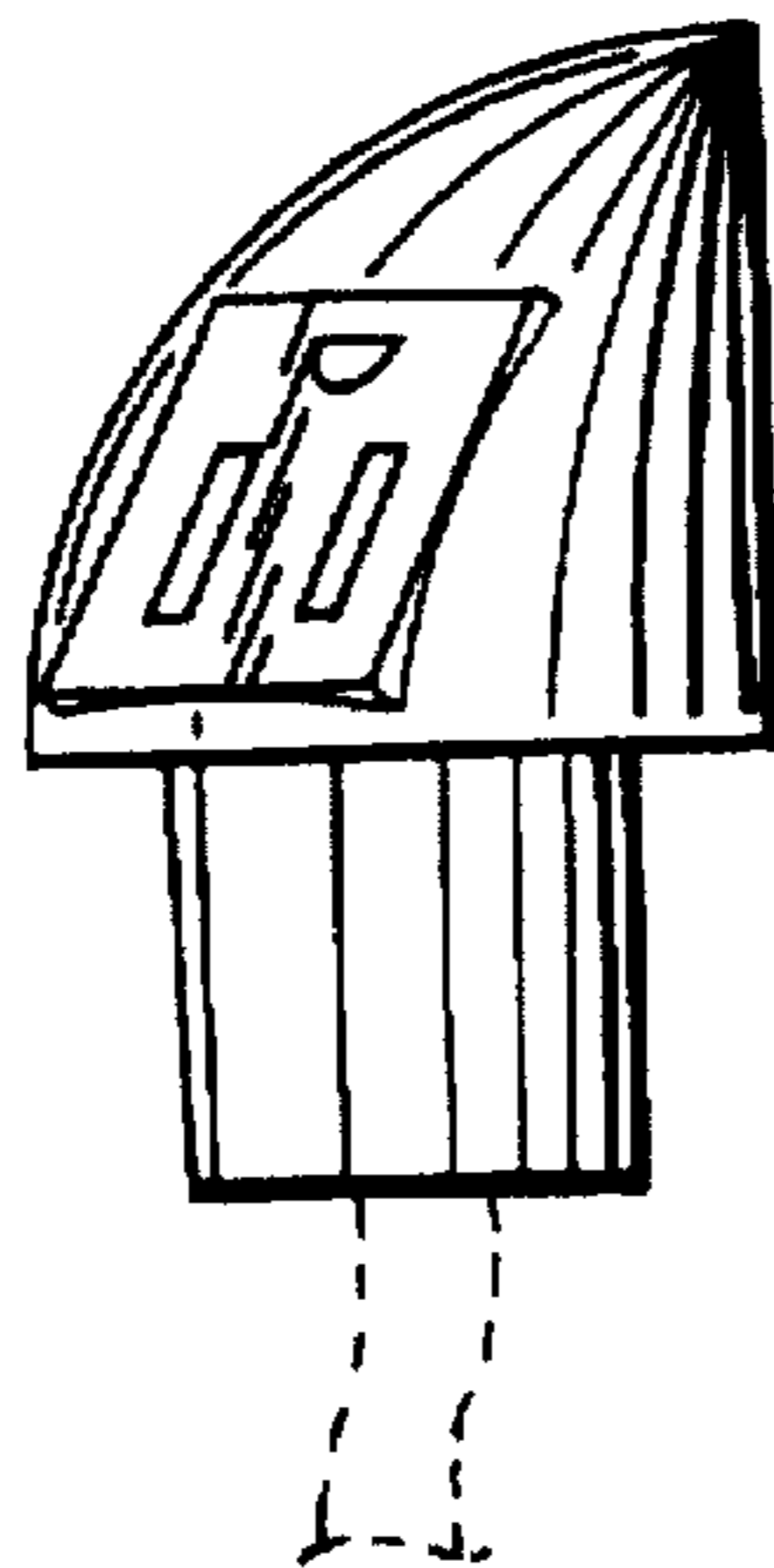


Fig. 25

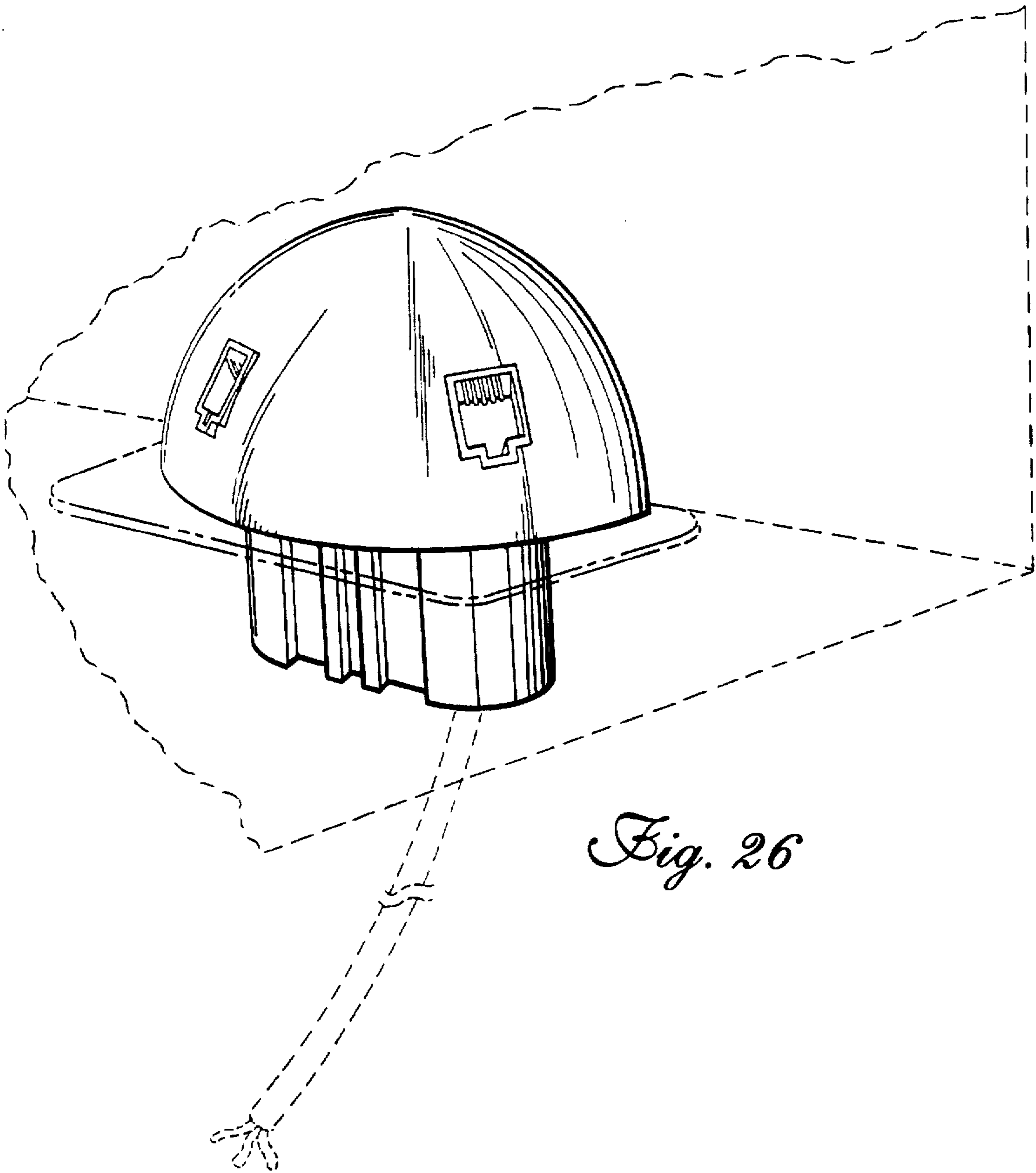


Fig. 26