



US00D389458S

United States Patent [19]
Brooks

[11] **Patent Number: Des. 389,458**
[45] **Date of Patent: **Jan. 20, 1998**

[54] **AUDIO COUPLER**

[76] **Inventor: Ron Brooks, 3149 Sun Valley Ave., Walnut Creek, Calif. 94596**

[**] **Term: 14 Years**

[21] **Appl. No.: 43,093**

[22] **Filed: Aug. 25, 1995**

[51] **LOC (6) Cl. 13-03**

[52] **U.S. Cl. D13/133; D13/162**

[58] **Field of Search D13/133, 162; D14/217; 439/578, 620**

[56] **References Cited**

U.S. PATENT DOCUMENTS

- D. 312,463 11/1990 Grinyer D14/217 X
- D. 355,656 2/1995 Coppersmith D14/217
- 4,864,632 9/1989 Moriyama et al. 439/578 X

Primary Examiner—Joel Sincavage
Attorney, Agent, or Firm—Harold H. Dutton, Jr.; W. Charles L. Jamison; Diane S. Liebman

[57] **CLAIM**

The ornamental design for an audio coupler, as shown.

DESCRIPTION

FIG. 1 is a perspective view of a audio coupler showing my new design;

FIG. 2 is a front view thereof;

FIG. 3 is a rear view thereof;

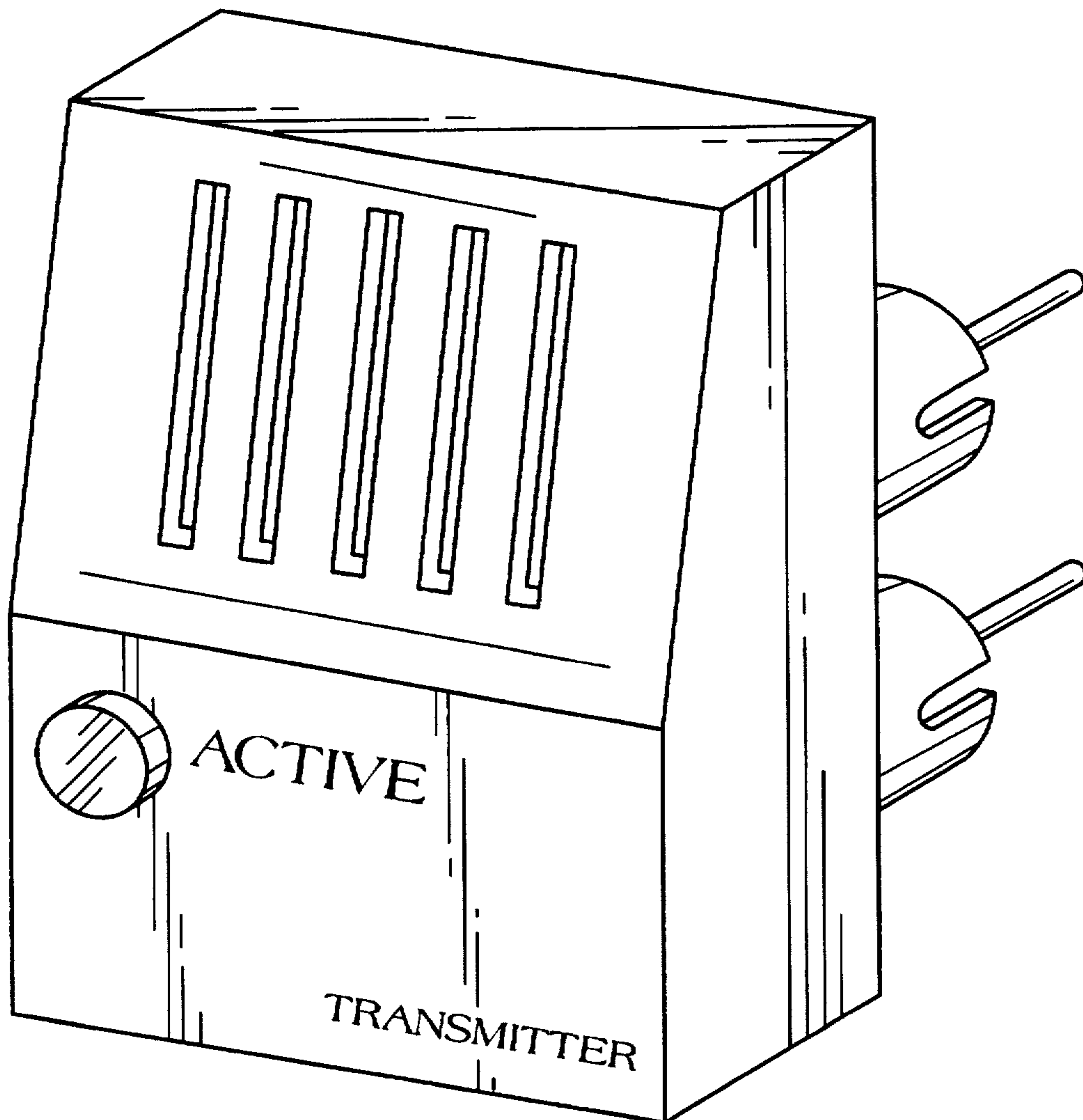
FIG. 4 is a top view thereof;

FIG. 5 is a bottom view thereof;

FIG. 6 is a right side view thereof; and,

FIG. 7 is a left side view thereof.

1 Claim, 4 Drawing Sheets



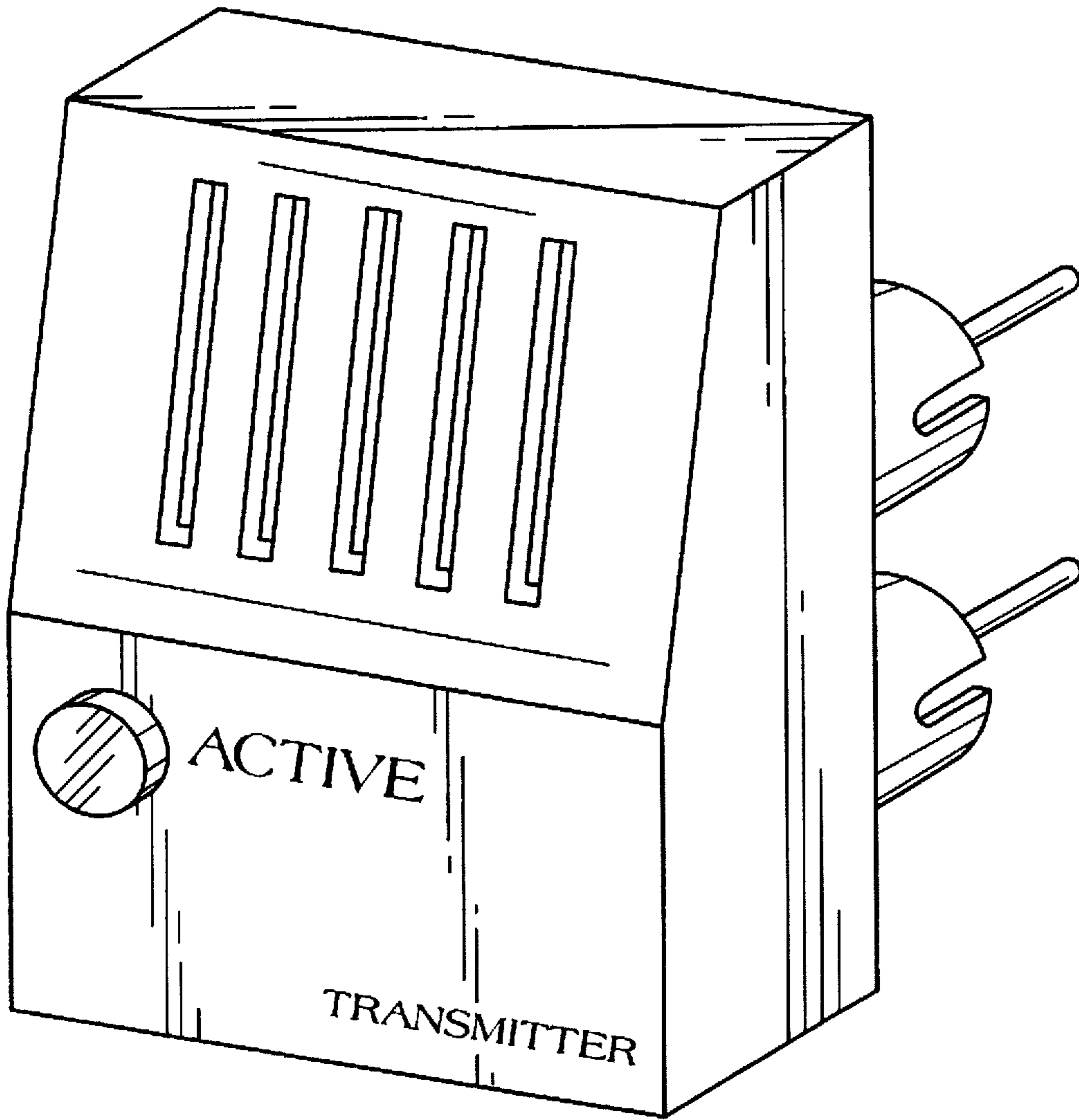


FIG. 1

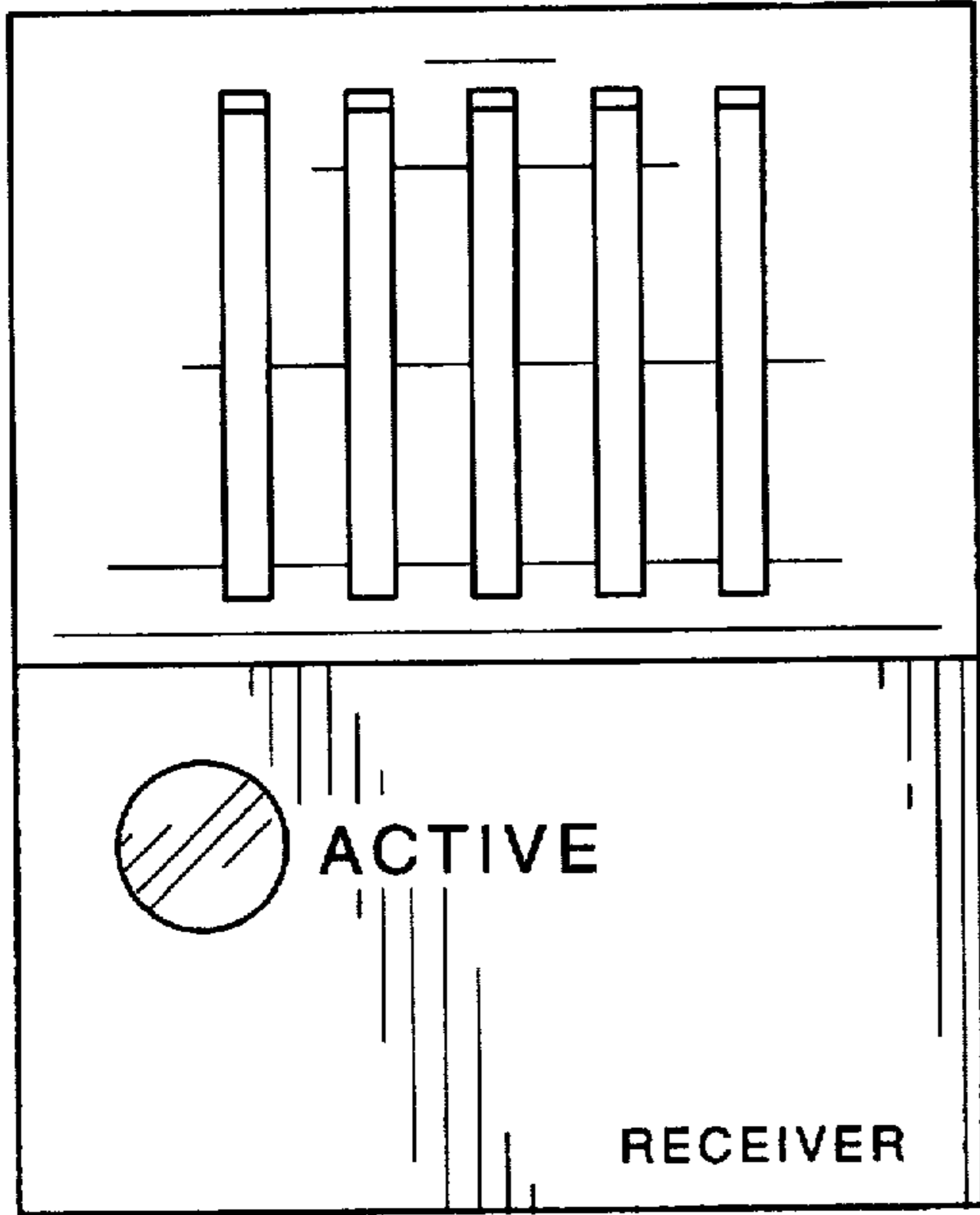
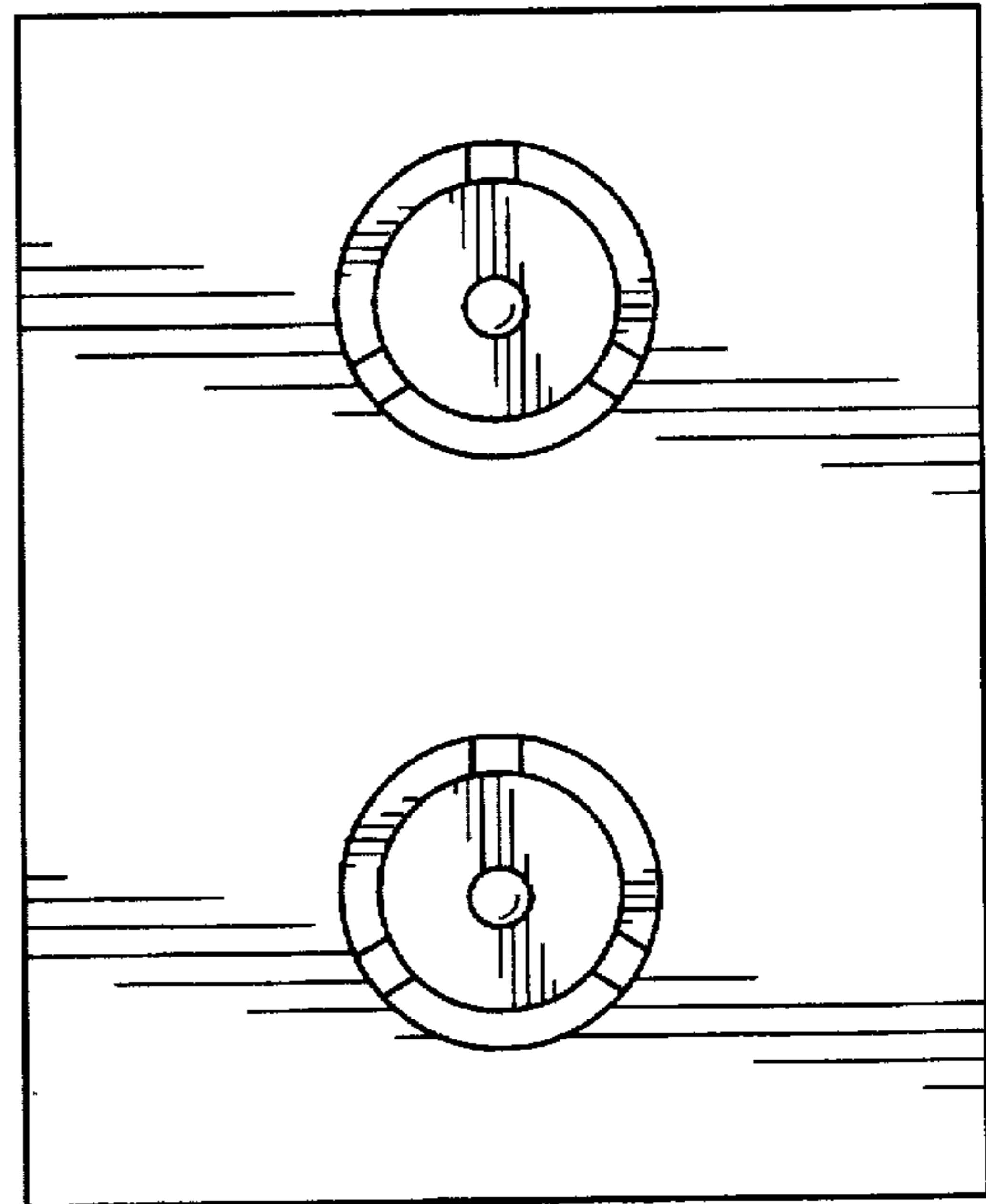


FIG. 2

FIG. 3



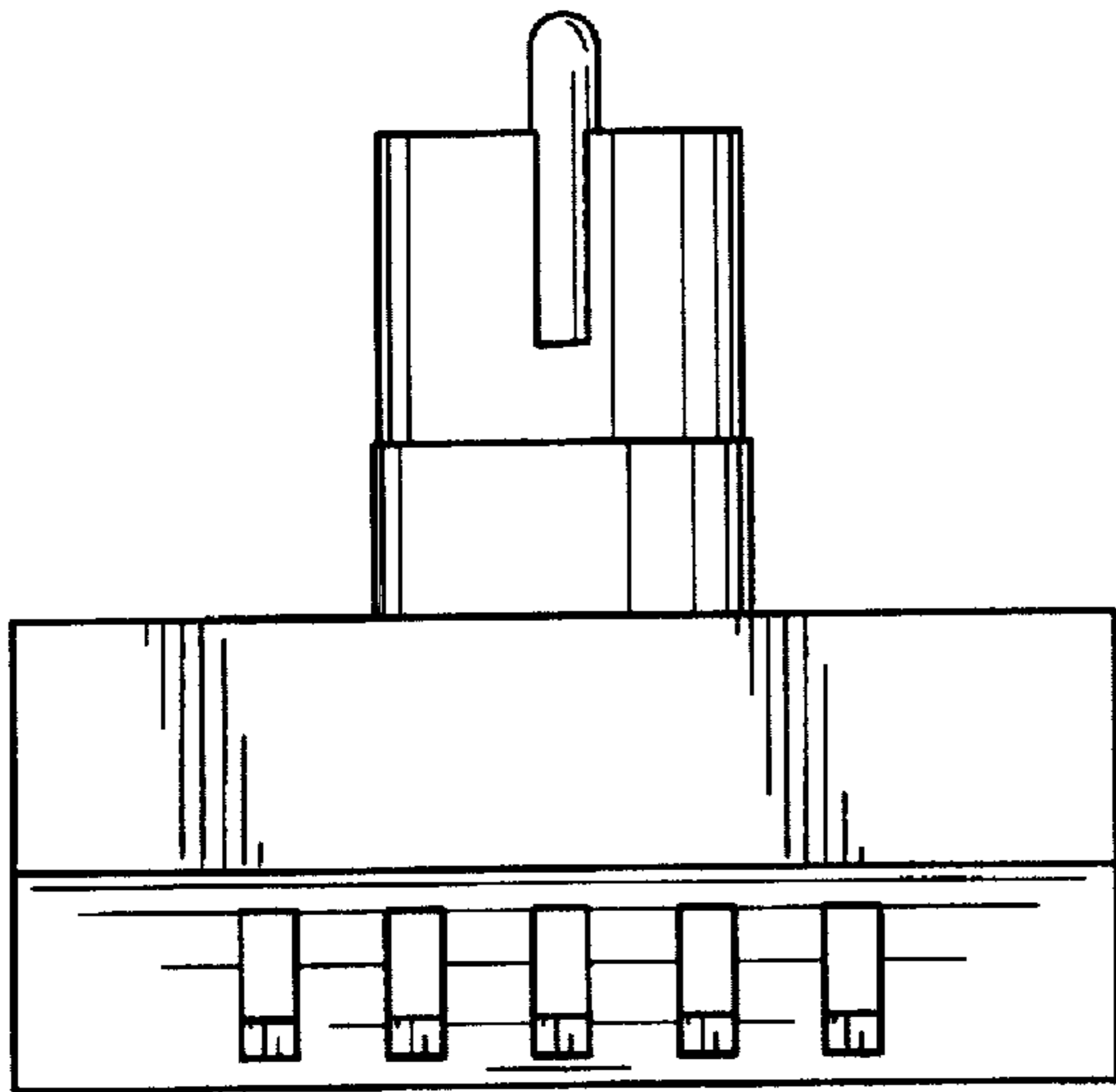


FIG. 4

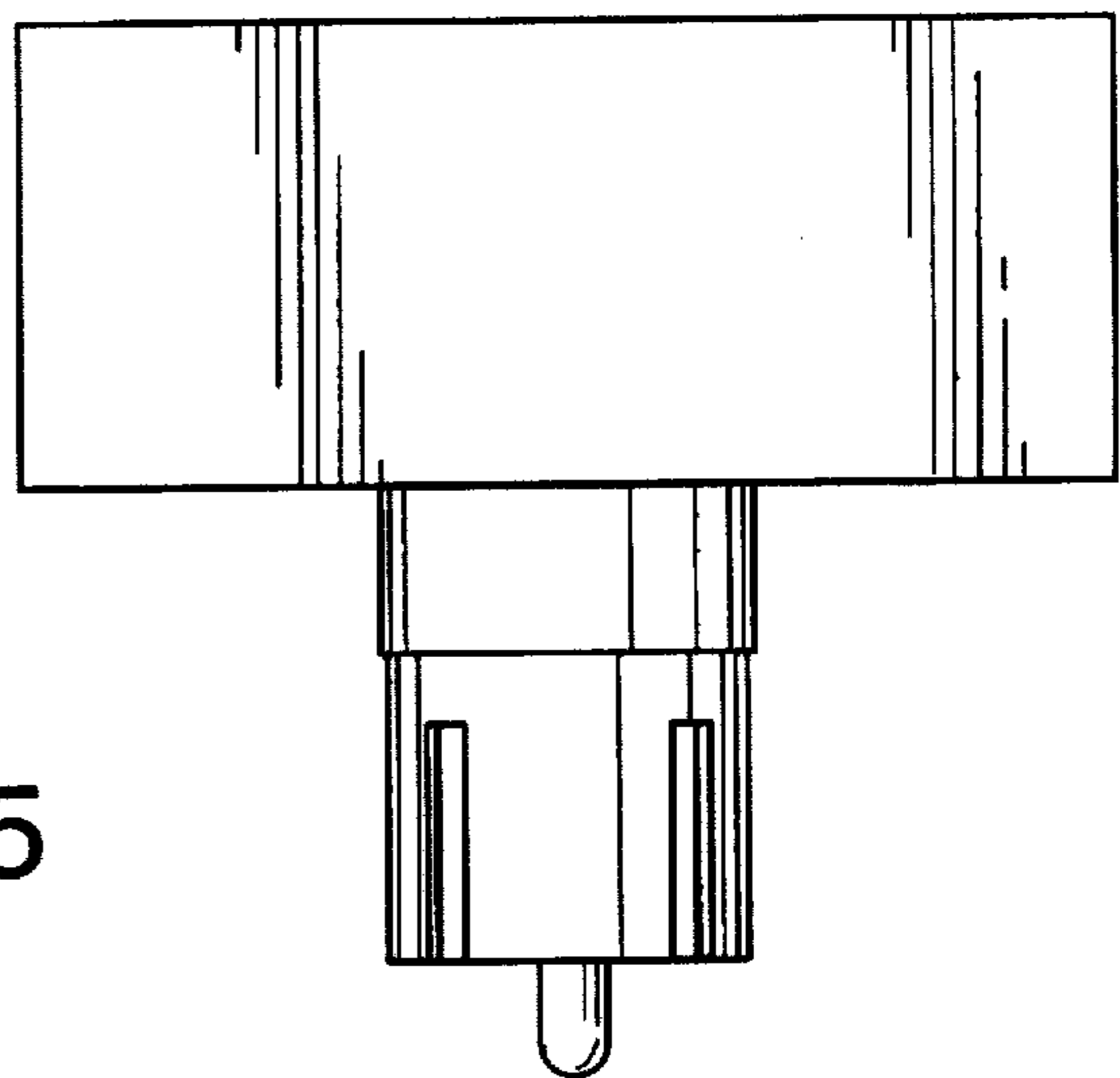


FIG. 5

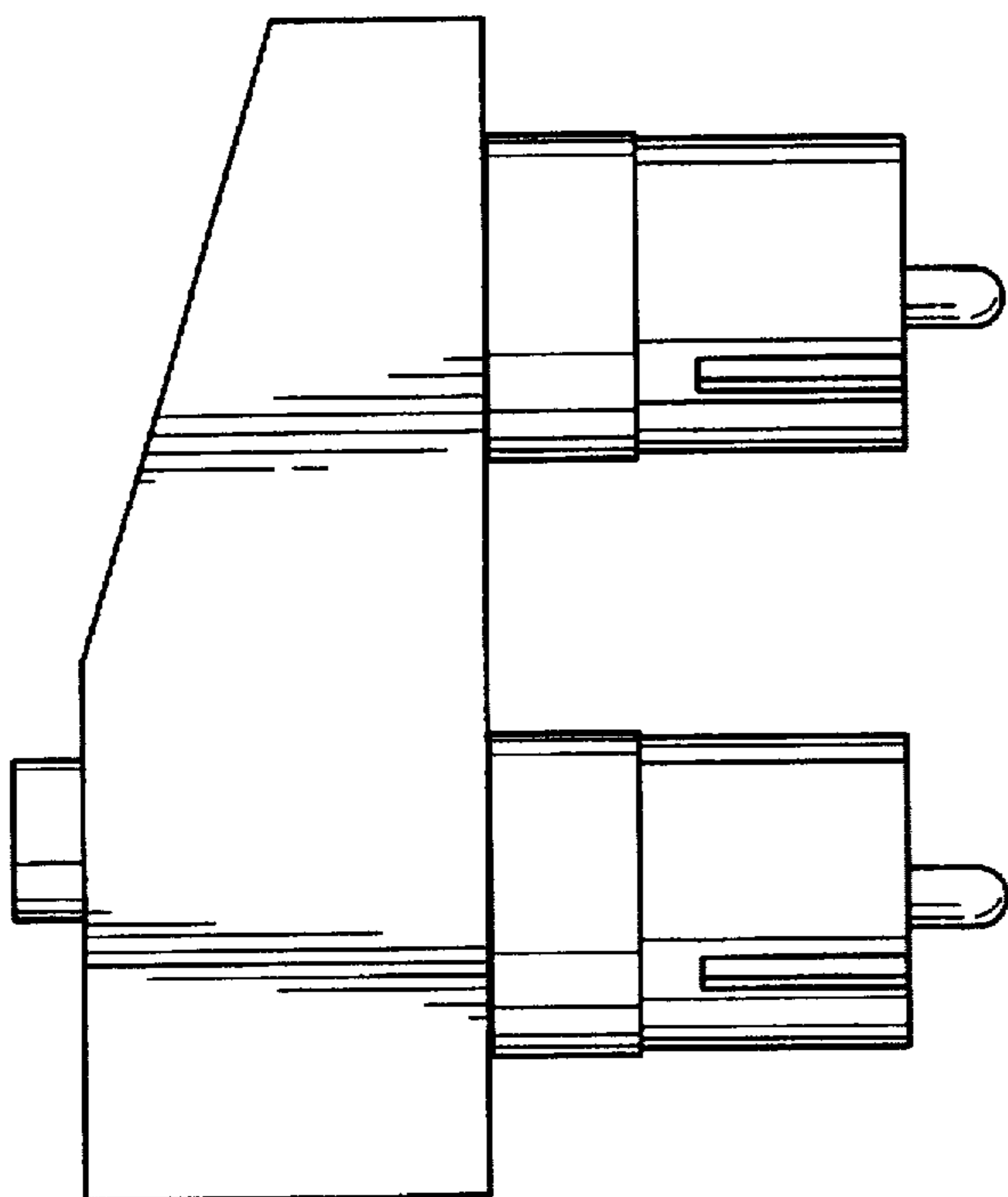


FIG. 6

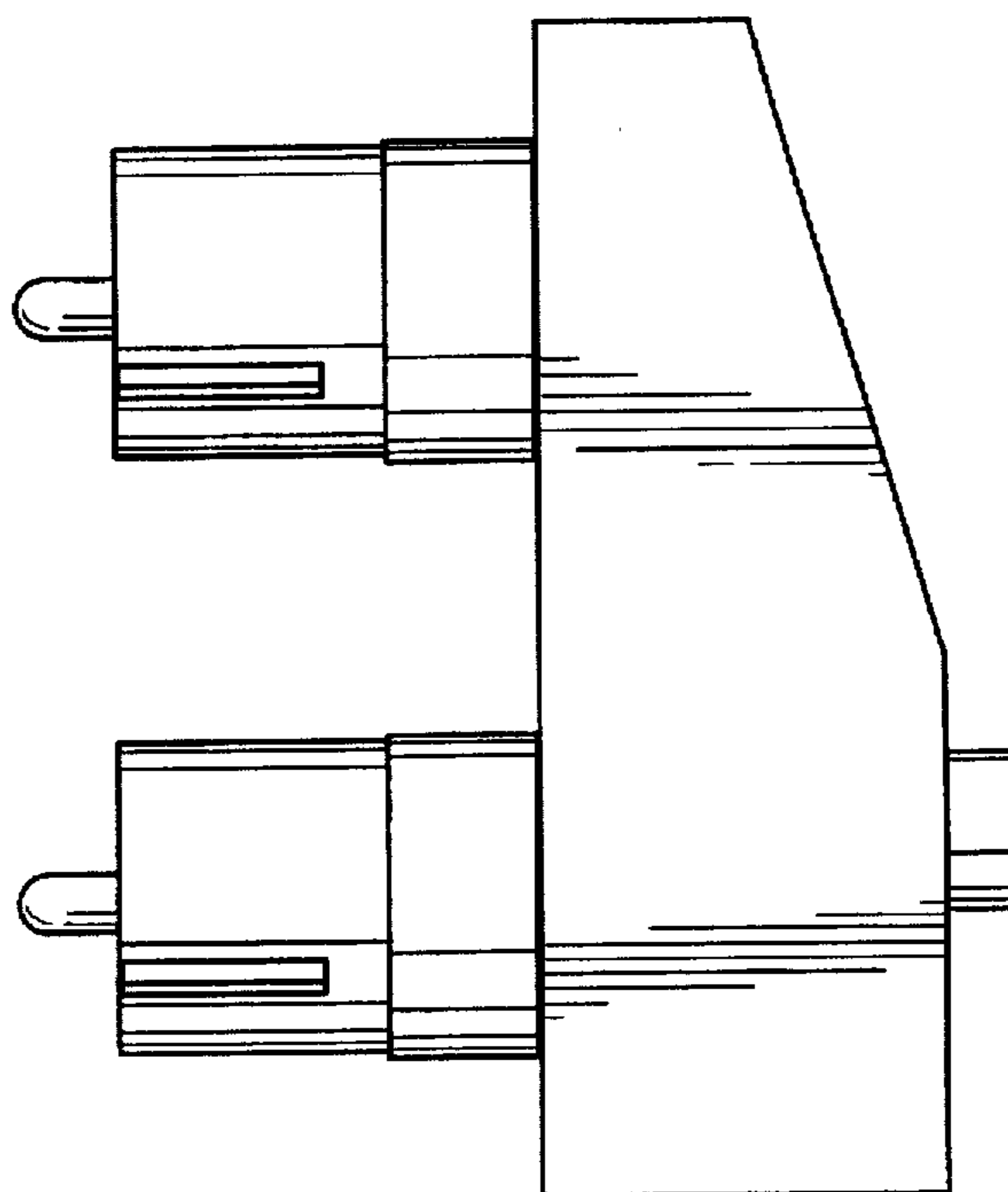


FIG. 7