



US00D389456S

United States Patent [19]

Wang

[11] Patent Number: **Des. 389,456**

[45] Date of Patent: ****Jan. 20, 1998**

[54] **BATTERY FOR A MOBILE PHONE**

[76] Inventor: **Gin-shen Wang**, No. 30, Alley 68,
Lane 66, Sec. 2, Hsiwan Rd., Hsichih
Chen, Taipei Hsien, Taiwan

[**] Term: **14 Years**

[21] Appl. No.: **56,751**

[22] Filed: **Jul. 8, 1996**

[51] LOC (6) Cl. **13-02**

[52] U.S. Cl. **D13/103**

[58] Field of Search D13/103; D12/86,
D12/90-92; D21/128; 428/96-100, 163,
176

[56] **References Cited**

U.S. PATENT DOCUMENTS

- D. 128,825 8/1941 Magill D12/91
- D. 191,439 10/1961 De Castelet D12/90
- D. 197,331 1/1964 Eggert, Jr. D21/91

- D. 204,980 6/1966 De Castelet D12/91
- D. 365,801 1/1996 Lindahl D13/103
- D. 375,933 11/1996 Kao D13/103

Primary Examiner—Joel Sincavage
Attorney, Agent, or Firm—Morton J. Rosenberg; David I. Klein

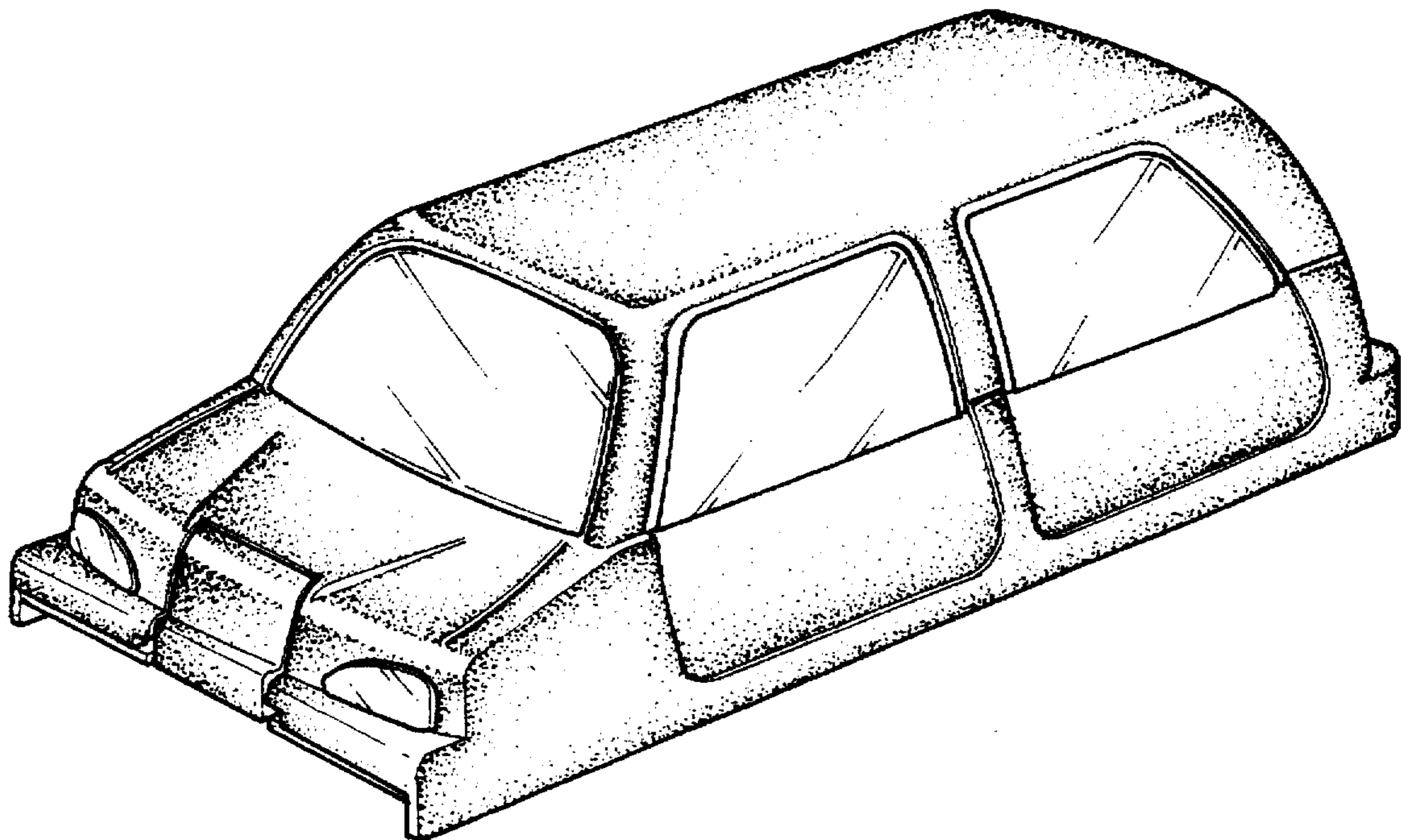
[57] **CLAIM**

The ornamental design for a battery for a mobile phone, as shown and described.

DESCRIPTION

FIG. 1 is a perspective view from the front, top and right side of a battery for a mobile phone showing my new design; FIG. 2 is a front elevational view thereof; FIG. 3 is a rear elevational view thereof; FIG. 4 is a left side elevational view thereof (the right side being a mirror image thereof); FIG. 5 is a top plane view thereof; and, FIG. 6 is a bottom plane view thereof.

1 Claim, 4 Drawing Sheets



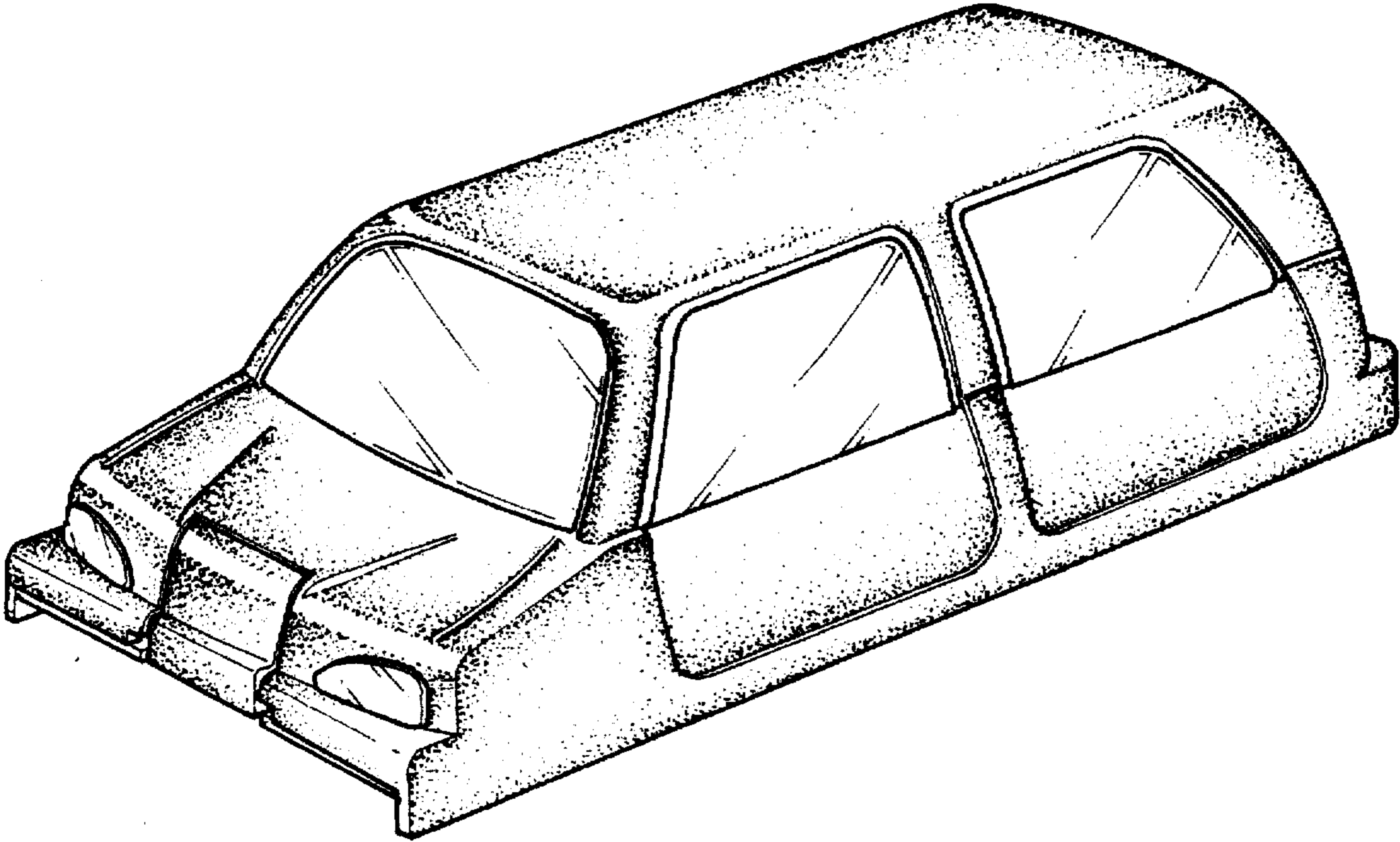


FIG. 1

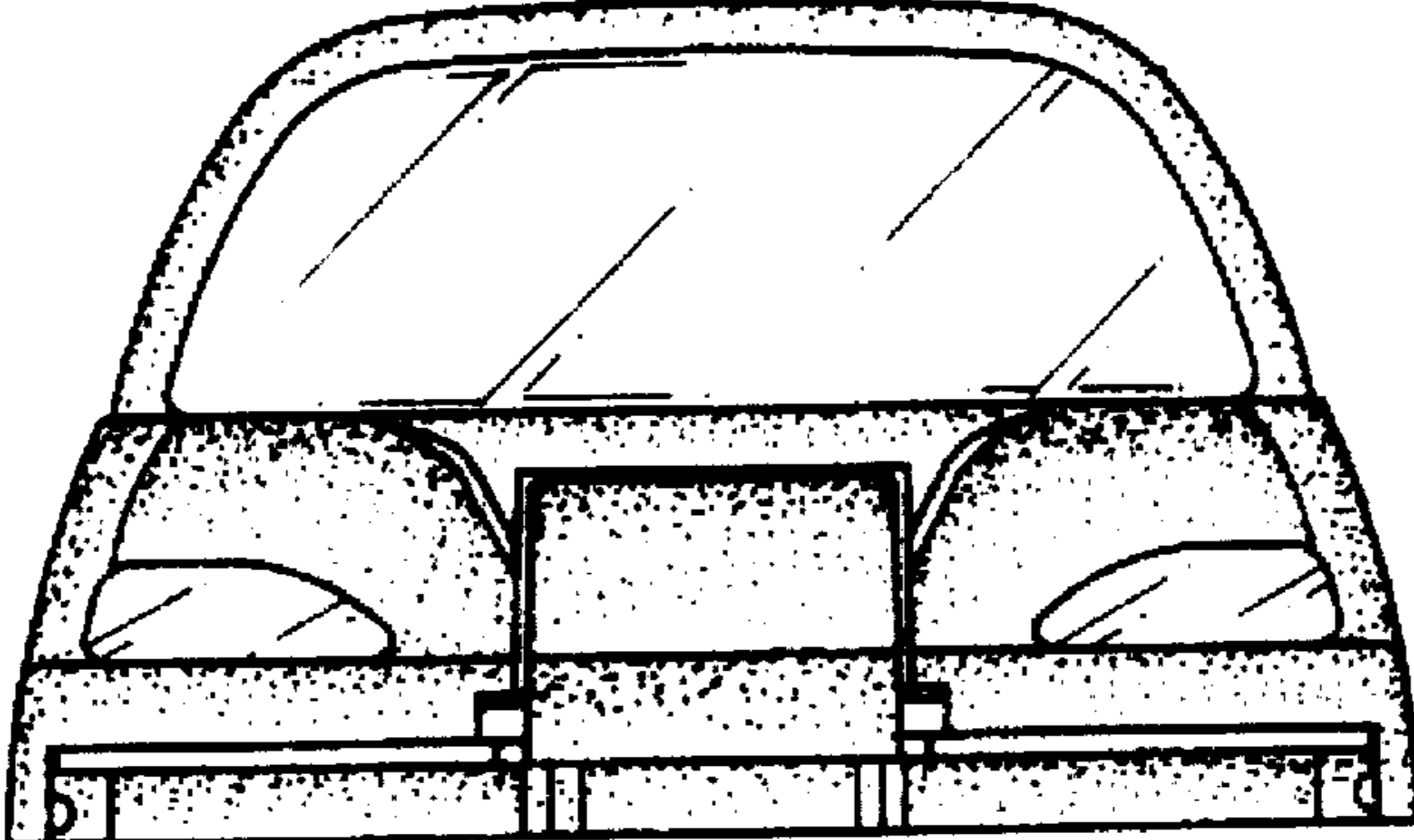


FIG. 2

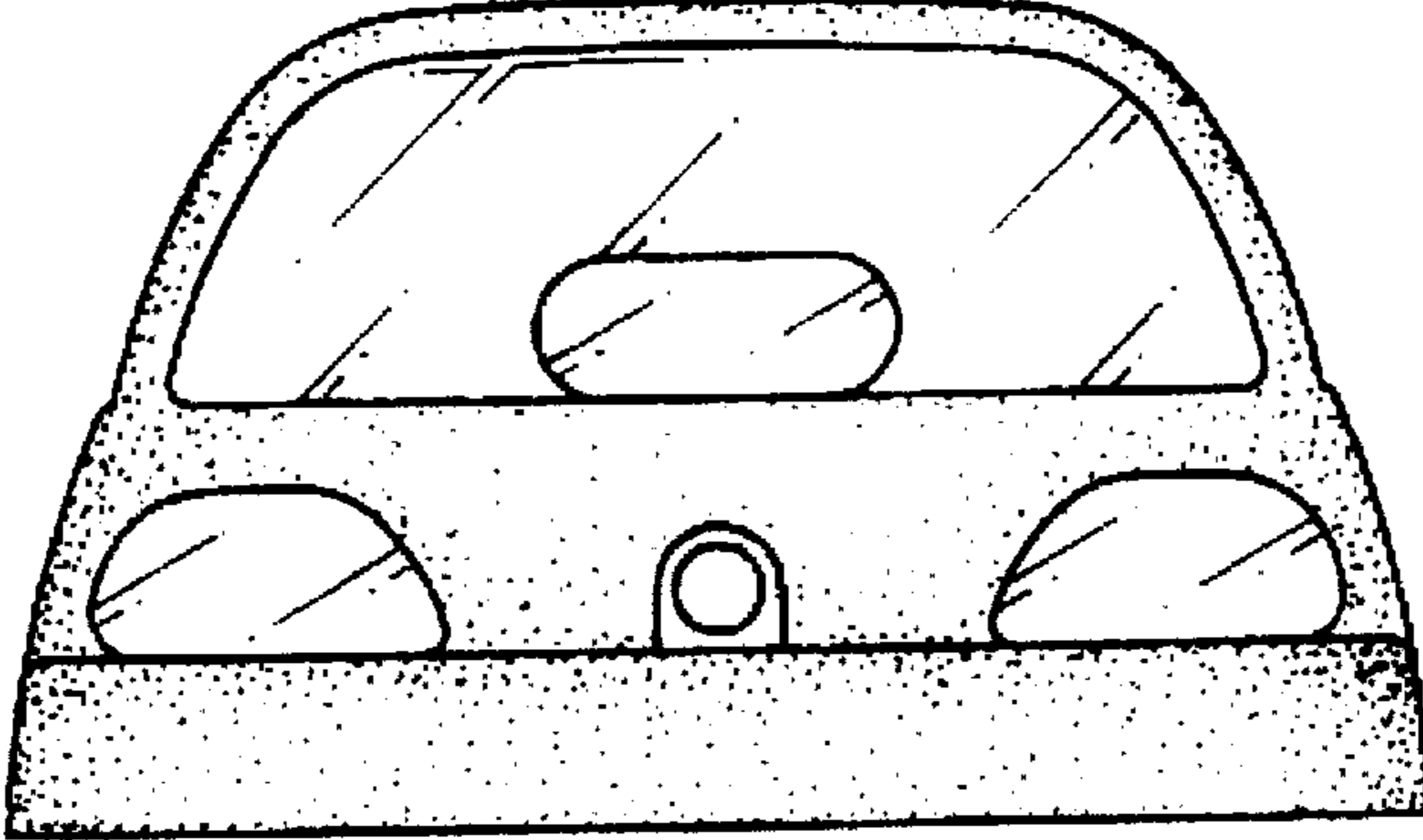


FIG. 3

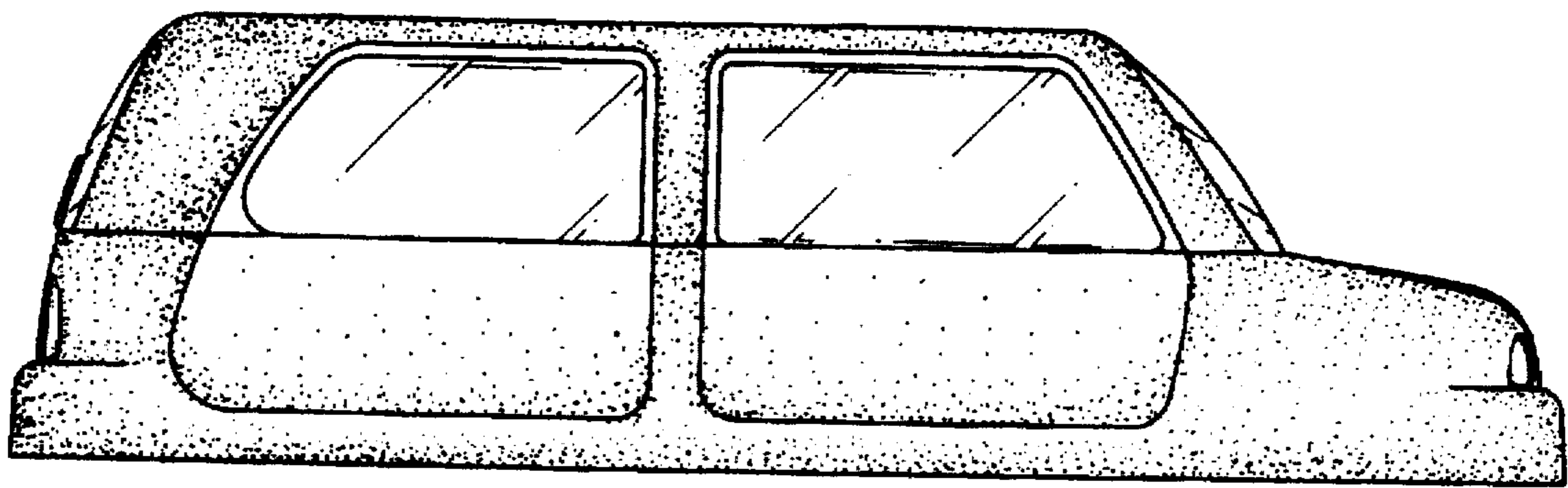


FIG. 4

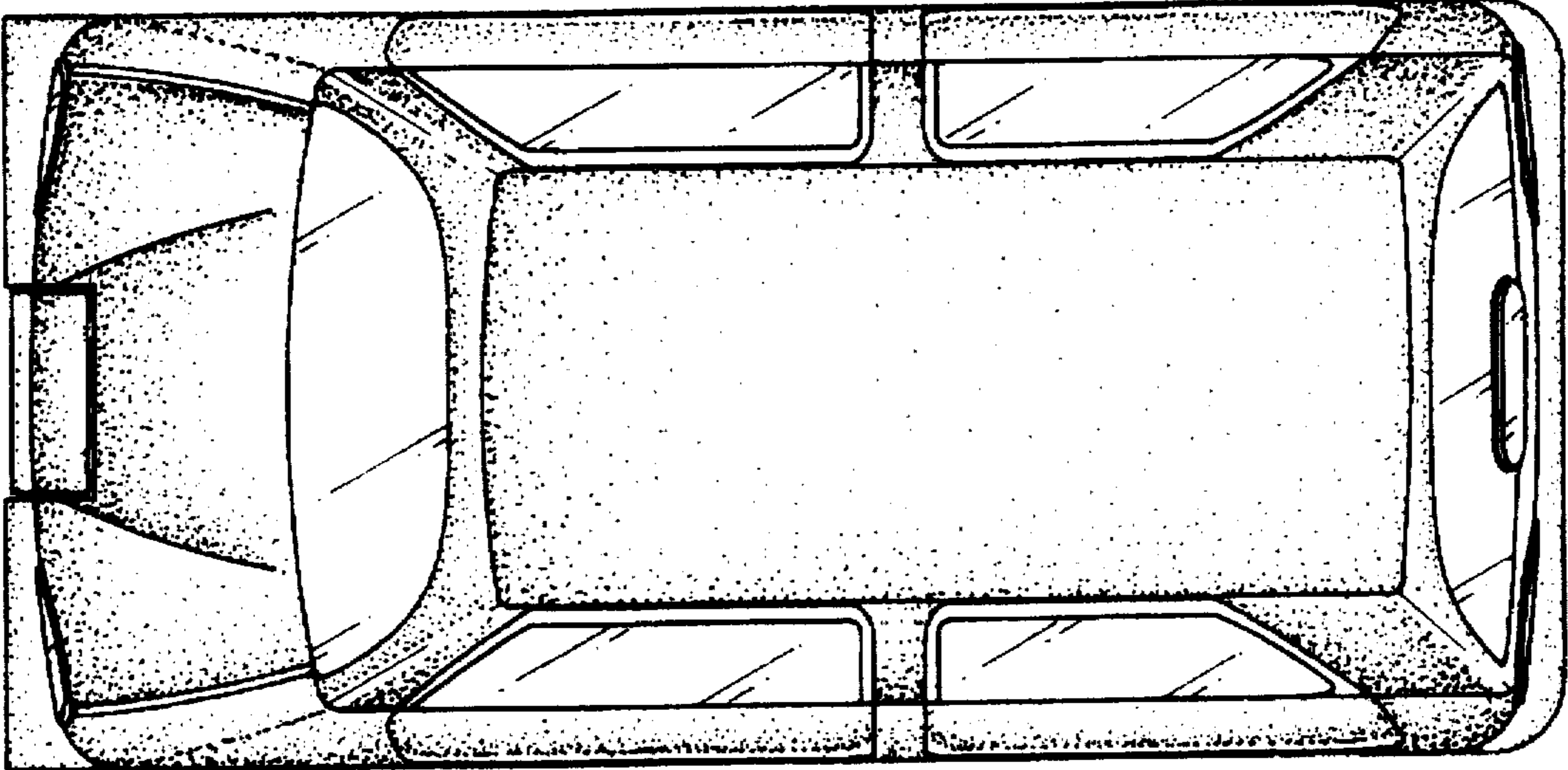


FIG. 5

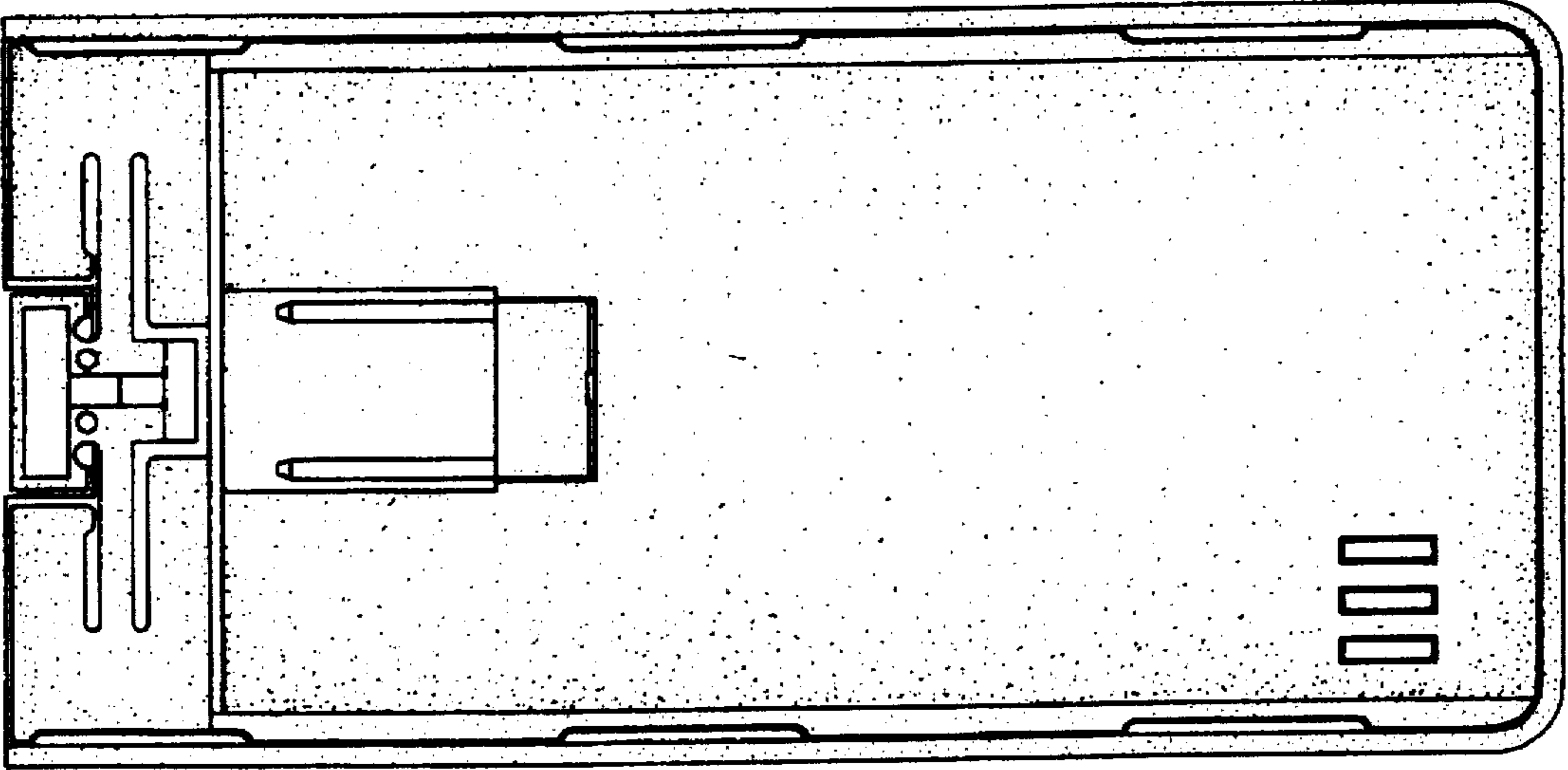


FIG. 6