



US00D389455S

United States Patent [19]
Lindahl

[11] **Patent Number: Des. 389,455**
[45] **Date of Patent: **Jan. 20, 1998**

[54] **BATTERY**

[75] **Inventor: Richard Lindahl, Malmö, Sweden**

[73] **Assignee: Telefonaktiebolaget LM Ericsson, Stockholm, Sweden**

[**] **Term: 14 Years**

[21] **Appl. No.: 28,393**

[22] **Filed: Sep. 14, 1994**

[30] **Foreign Application Priority Data**

Mar. 14, 1994 [SE] Sweden 940588

[51] **LOC (6) Cl. 13-02**

[52] **U.S. Cl. D13/103**

[58] **Field of Search D13/103; D14/138;
455/90, 89; 379/58; 429/96, 99**

[56] **References Cited**

U.S. PATENT DOCUMENTS

D. 305,717 1/1990 Soren et al. D13/103
D. 350,328 9/1994 Alexandres et al. D13/103
D. 353,361 12/1994 Nagele et al. D13/103

OTHER PUBLICATIONS

Battery packs on p. 569 of Jun. 1994 *Hong Kong Enterprise*.
Battery packs on p. 133 of Jun. 1991 *Hong Kong Enterprise*.

Primary Examiner—Joel Sincavage
Attorney, Agent, or Firm—Burns, Doane, Swecker & Mathis, L.L.P.

[57] **CLAIM**

The ornamental design for battery, as shown and described.

DESCRIPTION

FIG. 1 is a top, rear and right perspective view of the battery showing my new design;

FIG. 2 is a top, front and left perspective view thereof;

FIG. 3 is a top view thereof;

FIG. 4 is a bottom view thereof;

FIG. 5 is a right side elevational view thereof, the left side elevational view being symmetrical to the right side elevational view;

FIG. 6 is a rear elevational view thereof;

FIG. 7 is a front elevational view thereof;

FIG. 8 is a bottom, rear and left perspective view thereof; and,

FIG. 9 is a bottom, front and right perspective view thereof.

1 Claim, 6 Drawing Sheets

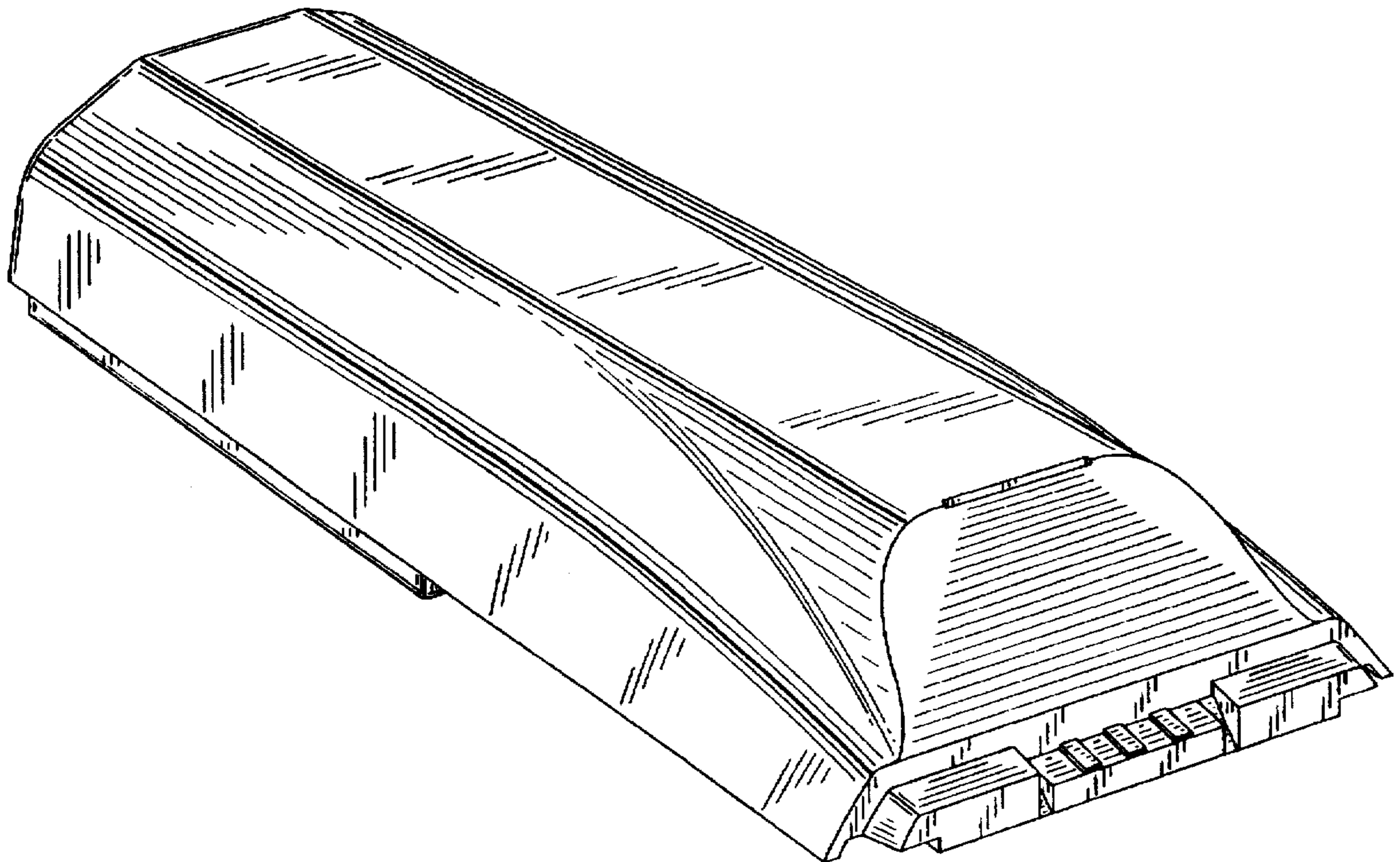
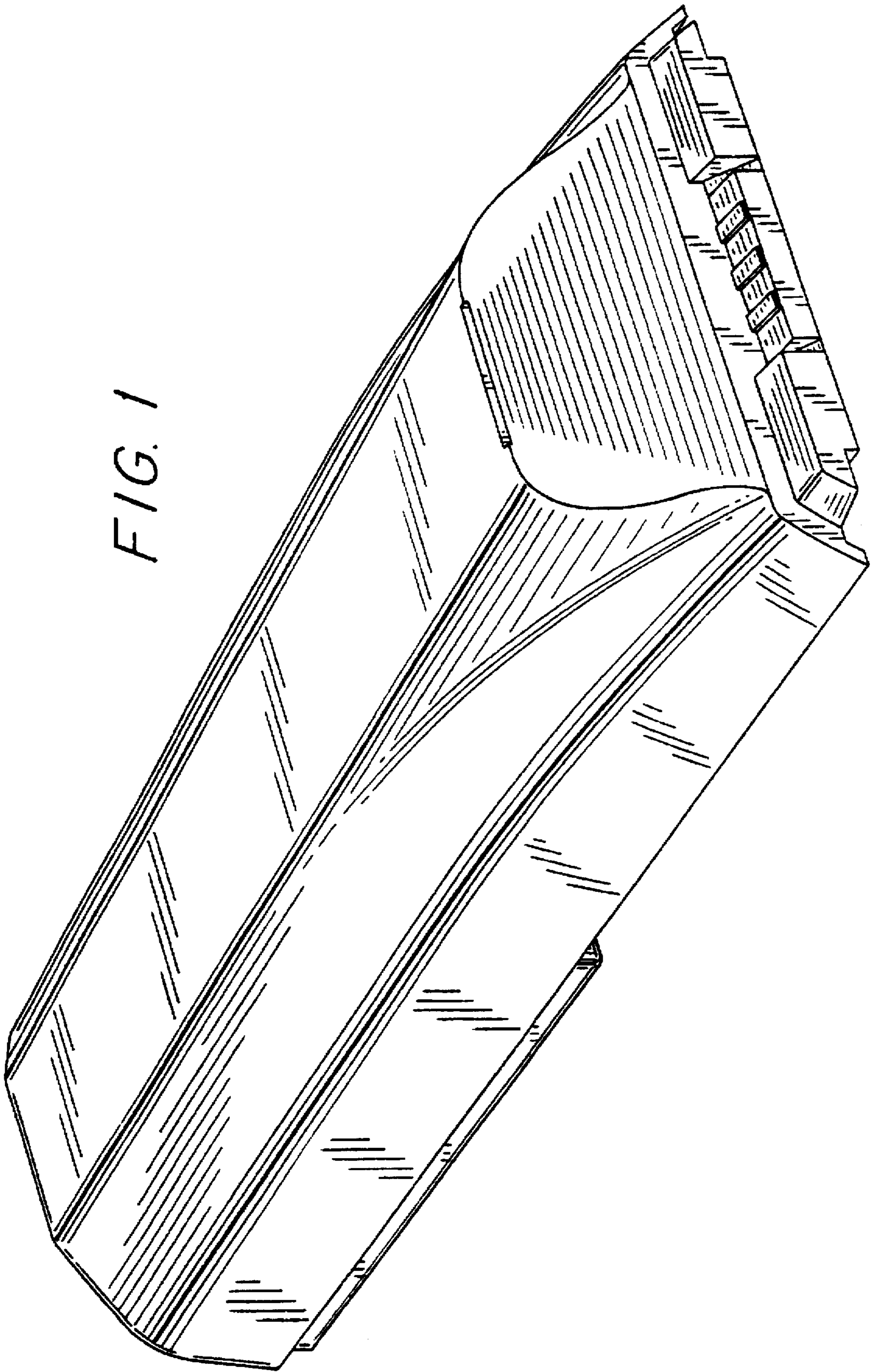


FIG. 1



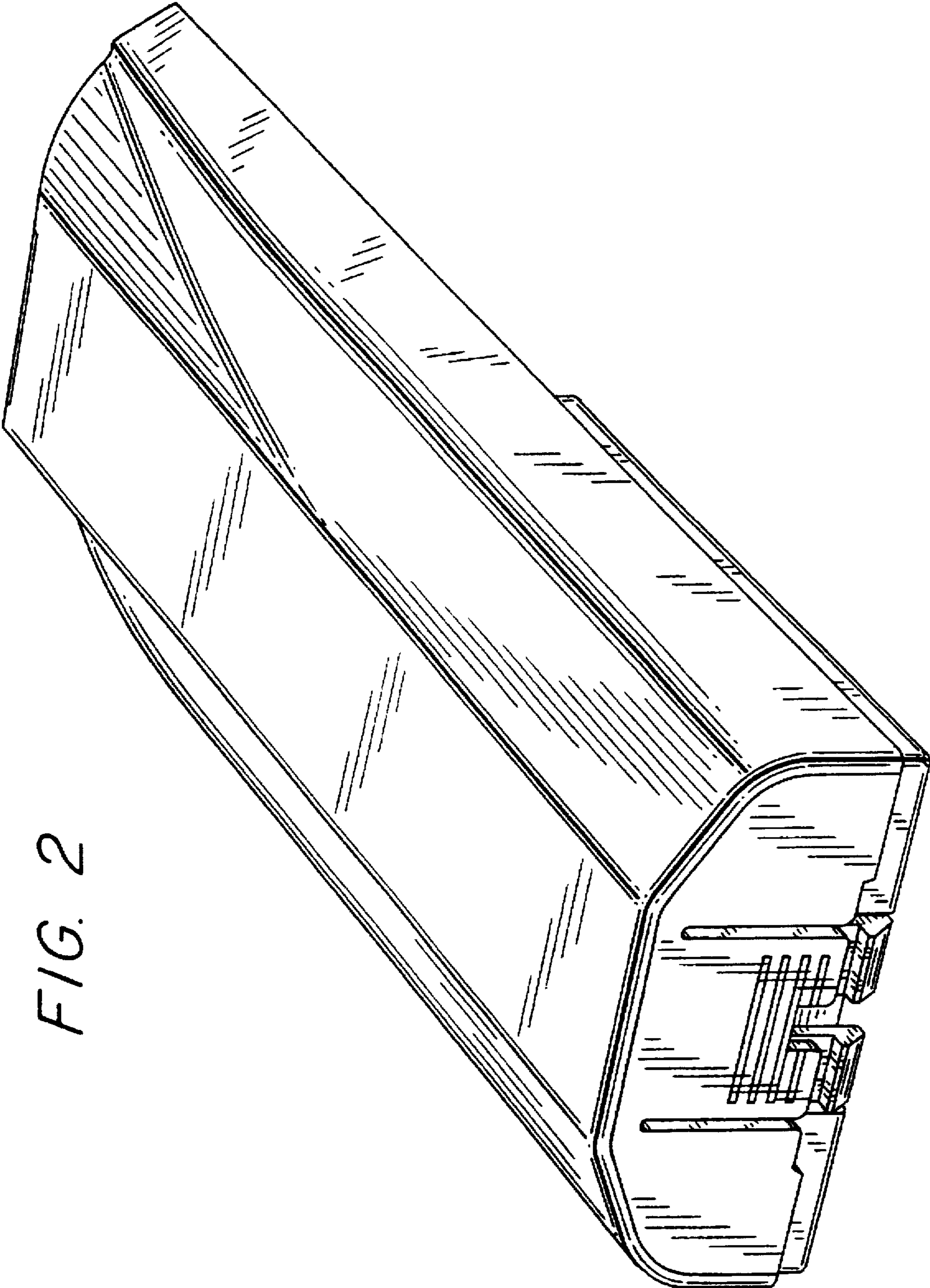


FIG. 2

FIG. 3

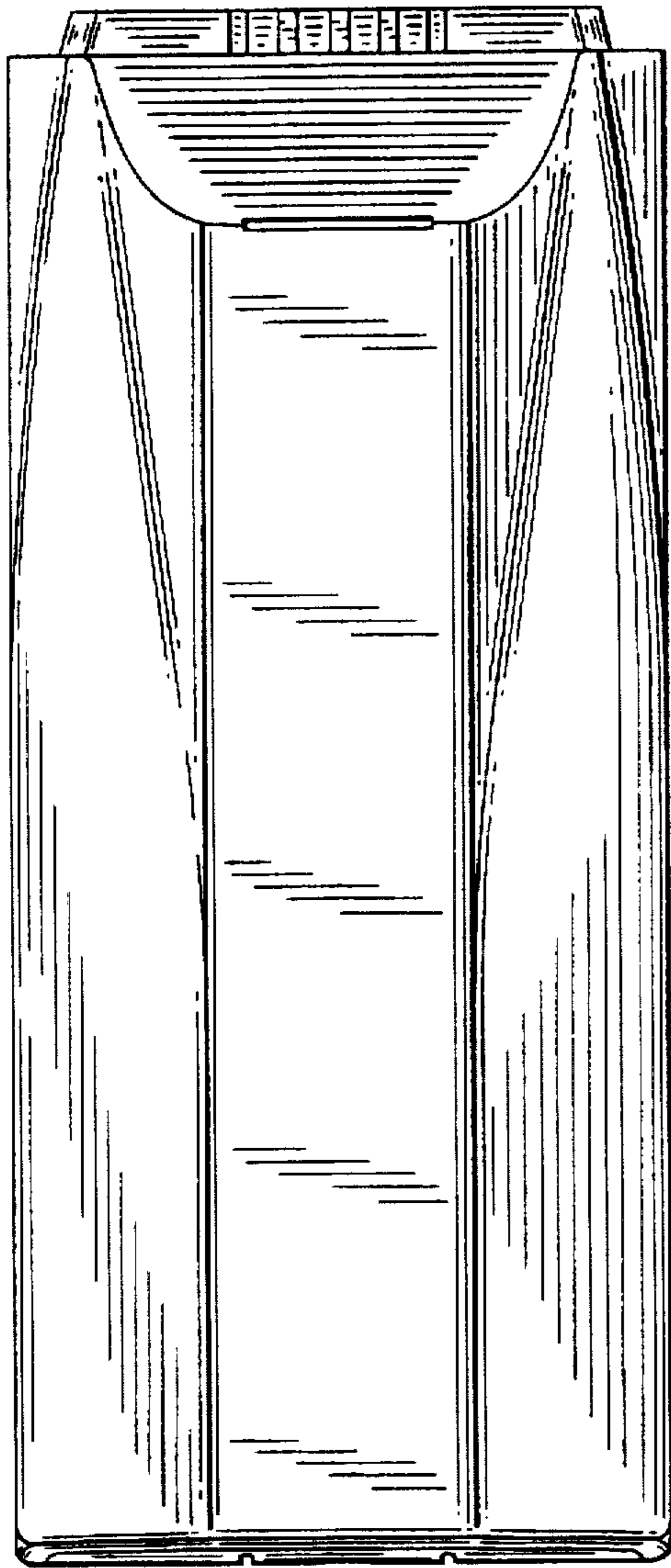
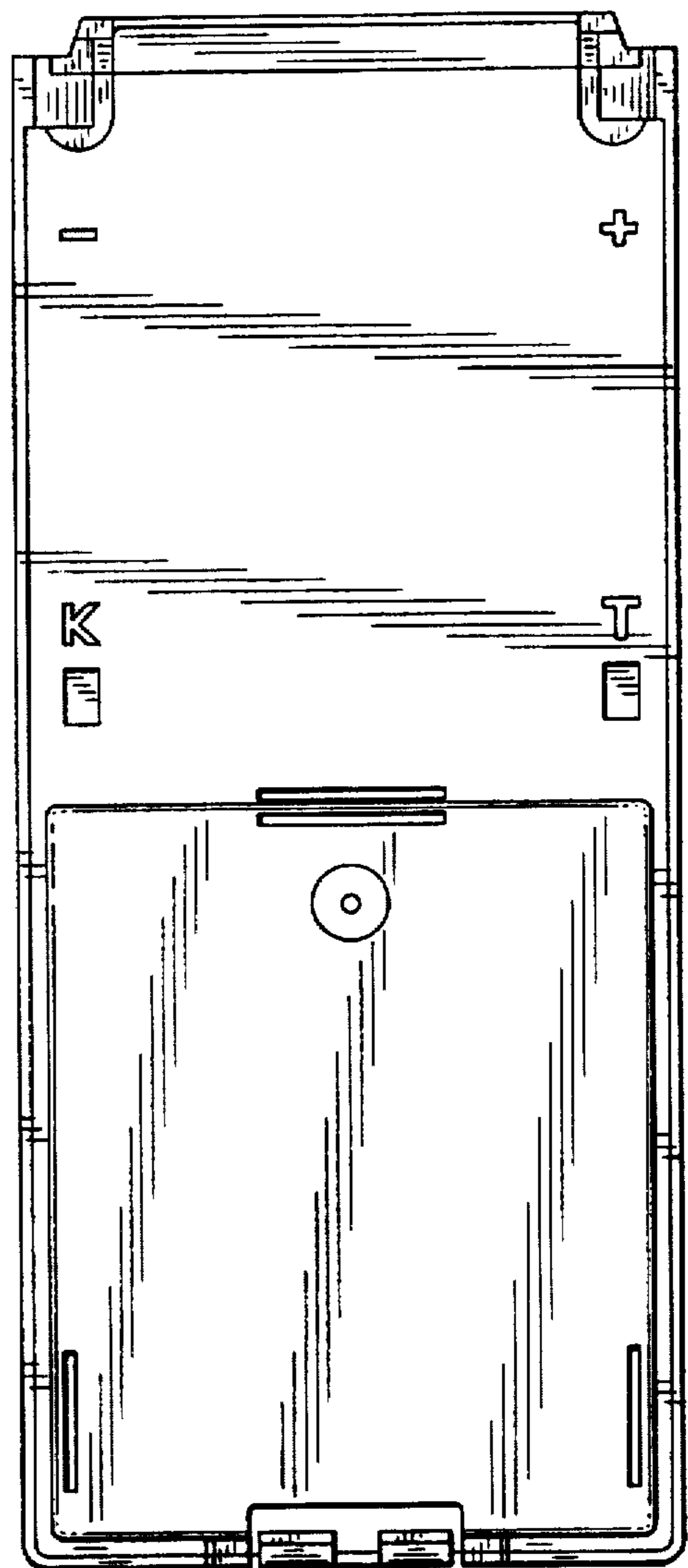


FIG. 4



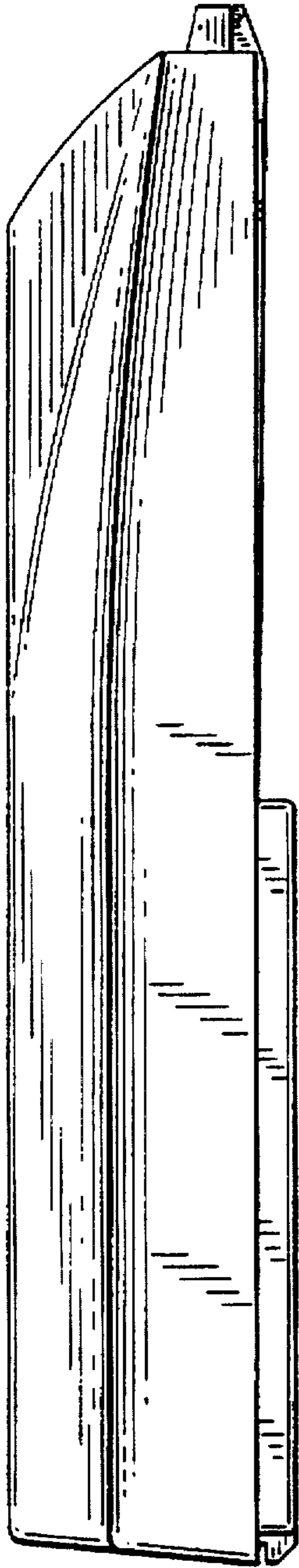


FIG. 5

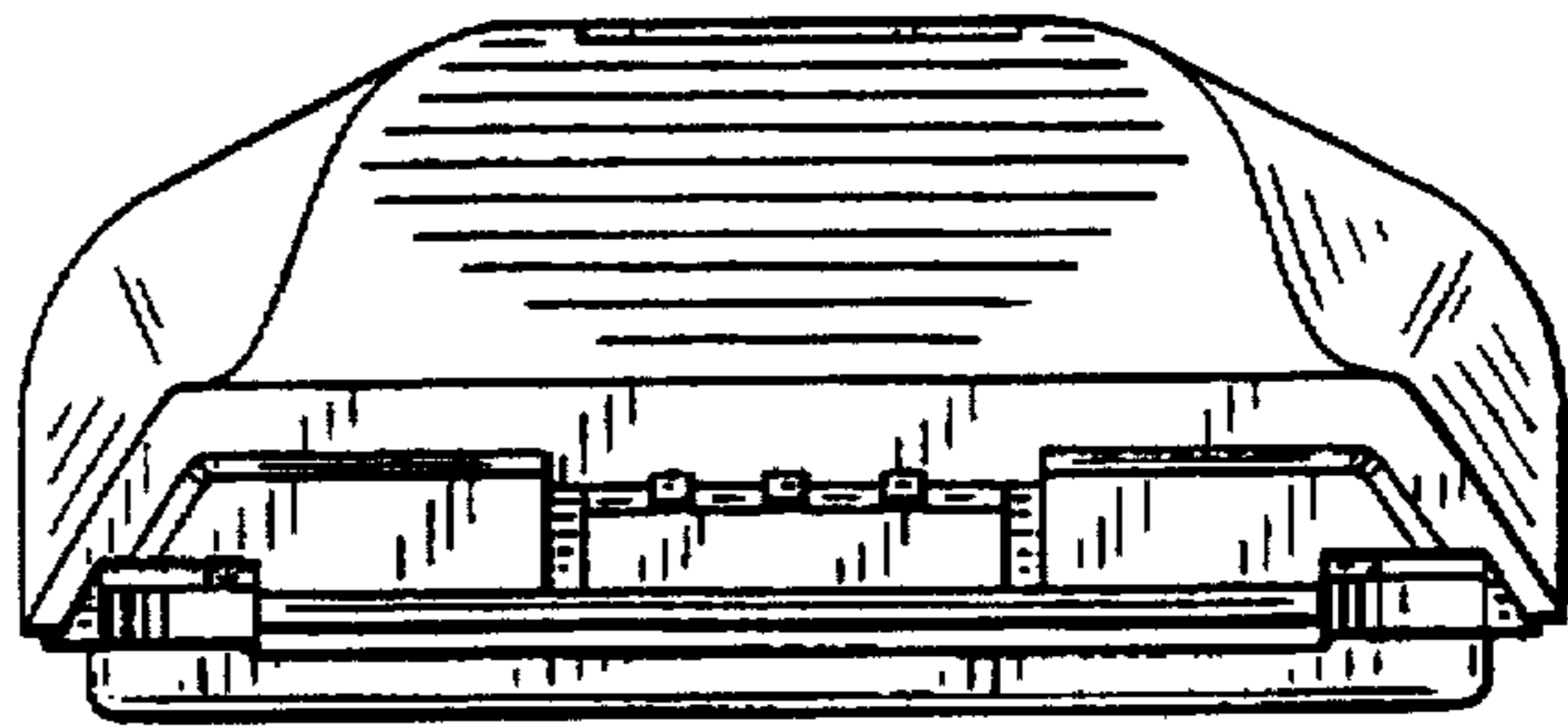


FIG. 6

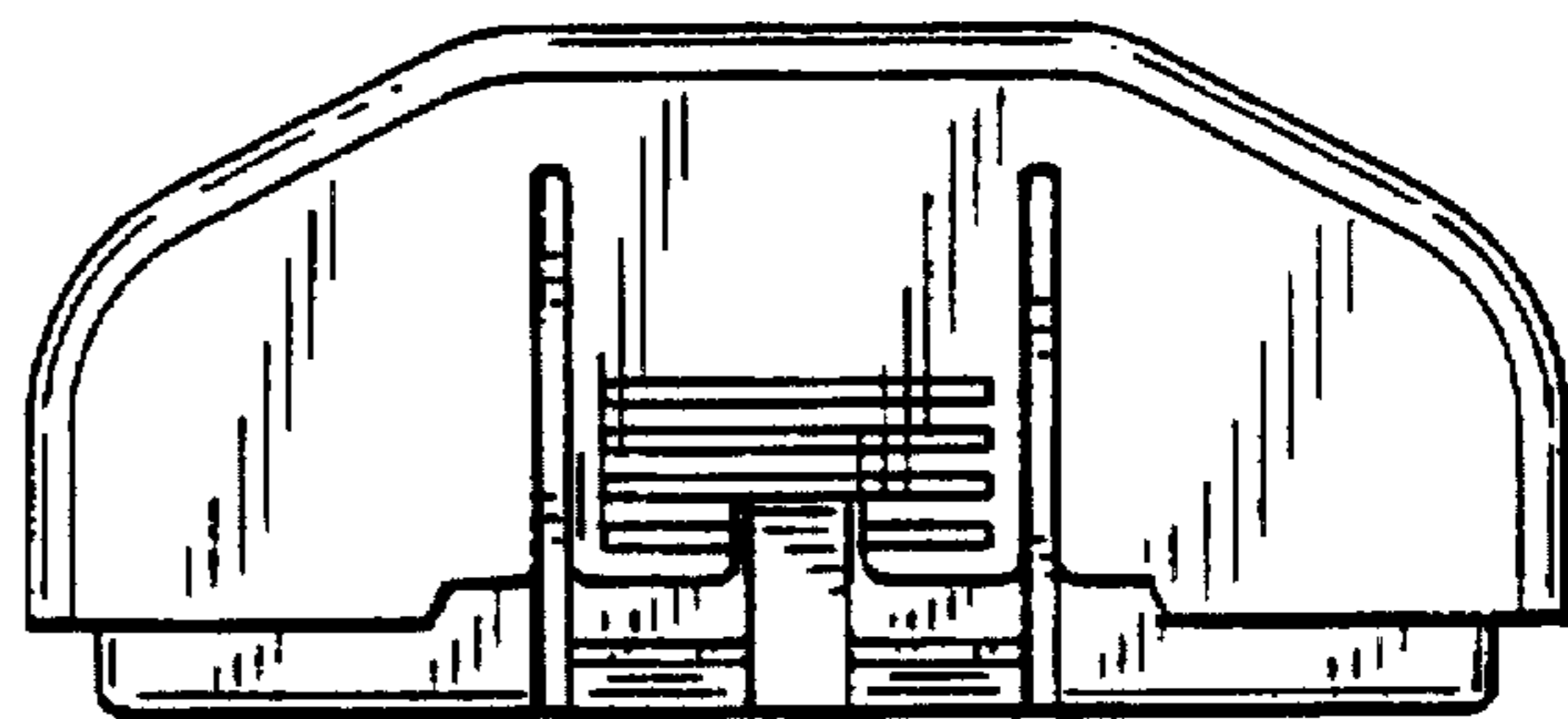


FIG. 7

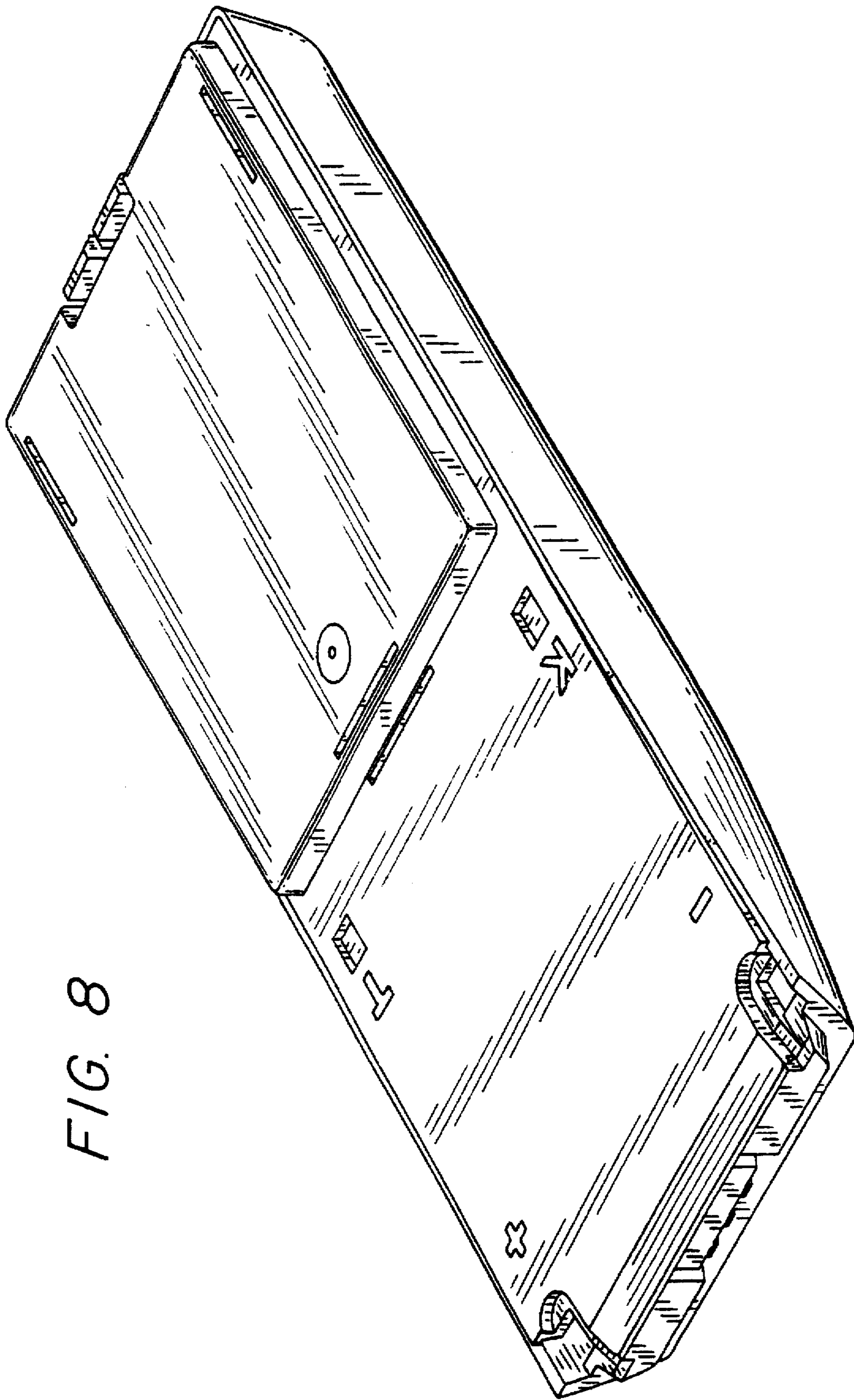


FIG. 8

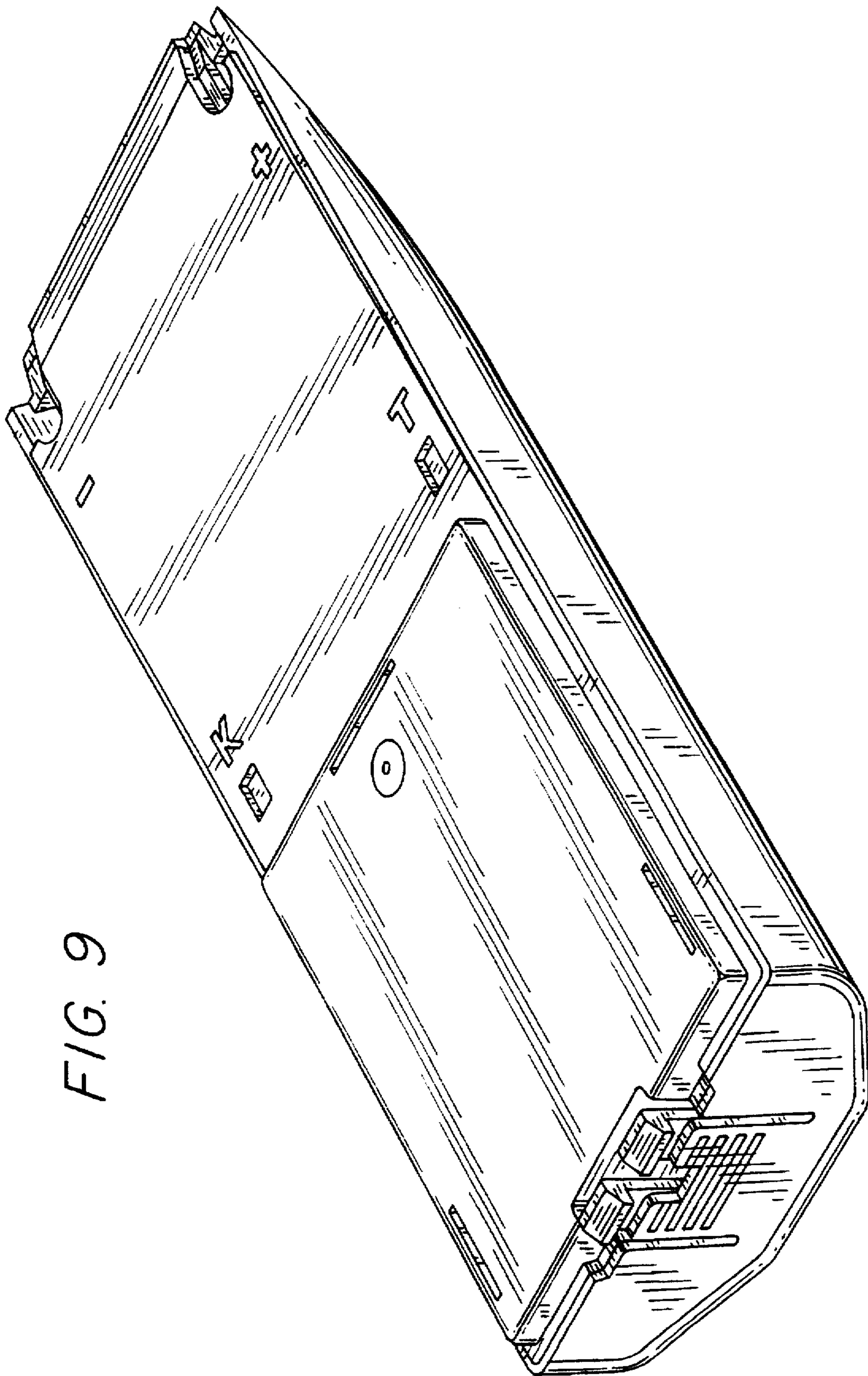


FIG. 9