



US00D389454S

United States Patent [19]

Mori

[11] Patent Number: Des. 389,454

[45] Date of Patent: **Jan. 20, 1998

[54] ROOF PLATE WITH SOLAR BATTERY

[75] Inventor: Masahiro Mori, Kyoto, Japan

[73] Assignee: Canon Kabushiki Kaisha, Tokyo, Japan

[**] Term: 14 Years

[21] Appl. No.: 62,532

[22] Filed: Nov. 18, 1996

[30] Foreign Application Priority Data

May 23, 1996 [JP] Japan 8-15313

[51] LOC (6) Cl. 13-02

[52] U.S. Cl. D13/102

[58] Field of Search D13/102; 136/244-246, 136/248, 251, 256, 259, 291, 292

[56] References Cited

U.S. PATENT DOCUMENTS

D. 258,530	3/1981	Atkinson	D13/102
D. 271,129	10/1983	Demmer	D13/102
5,542,988	8/1996	Bogus	136/244

OTHER PUBLICATIONS

Canon, brochure of related prior product, undated.

Primary Examiner—James Gandy

Assistant Examiner—Cathron B. Matta

Attorney, Agent, or Firm—Fitzpatrick, Cella, Harper & Scinto

[57] CLAIM

The ornamental design for a roof plate with solar battery, shown and described.

DESCRIPTION

FIG. 1 is a front view of a roof plate with solar battery showing my new design;

FIG. 2 is a rear view thereof;

FIG. 3 is a top plan view thereof;

FIG. 4 is a bottom plan view thereof;

FIG. 5 is a left side view thereof;

FIG. 6 is a right side view thereof;

FIG. 7 is a perspective view thereof;

FIG. 8 is an enlarged view of the part 8 in FIG. 4;

FIG. 9 is an enlarged view of the part 9 in FIG. 4;

FIG. 10 is an enlarged view of the part 10 in FIG. 5; and,

FIG. 11 is an enlarged view of the part 11 in FIG. 6.

1 Claim, 4 Drawing Sheets

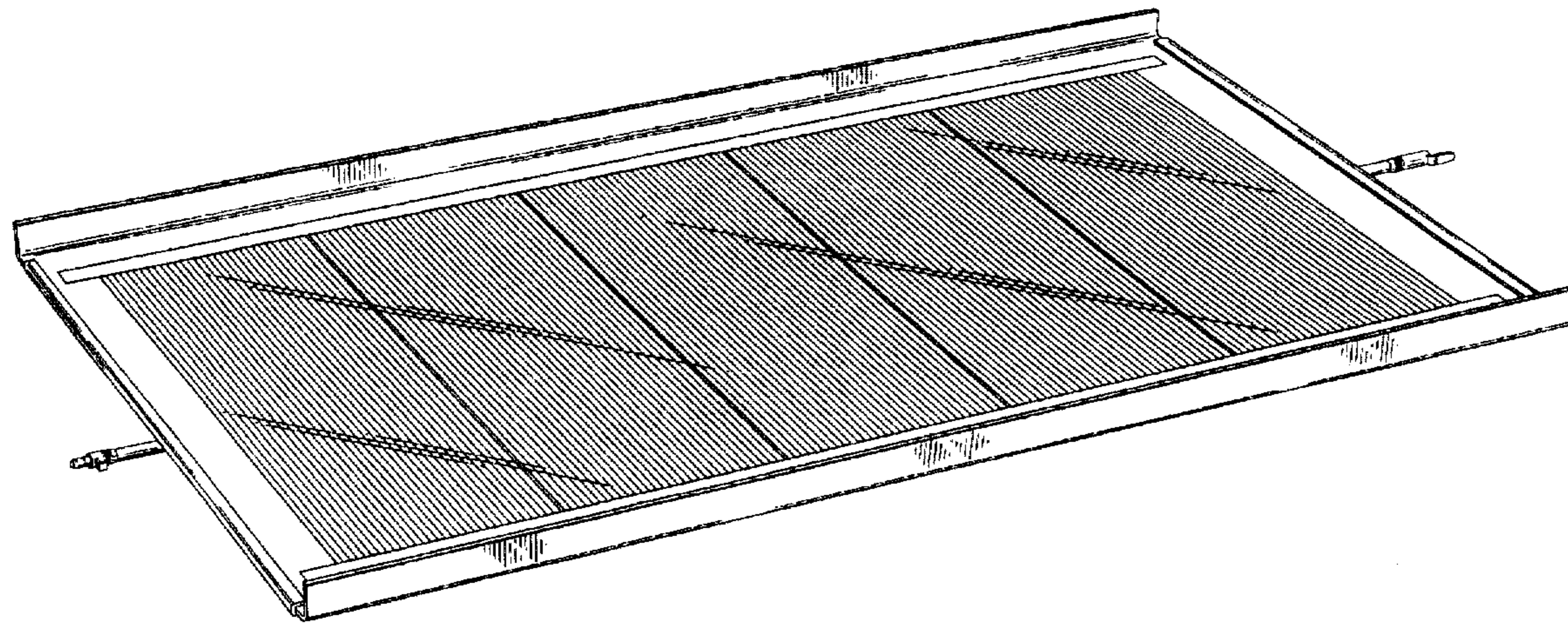


FIG. 1

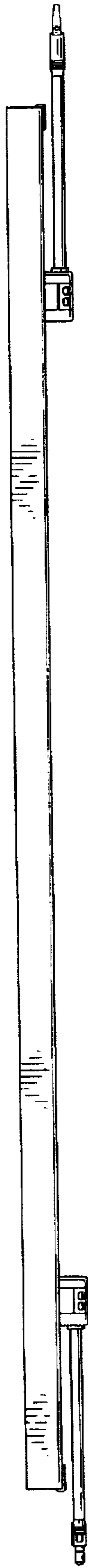


FIG. 2

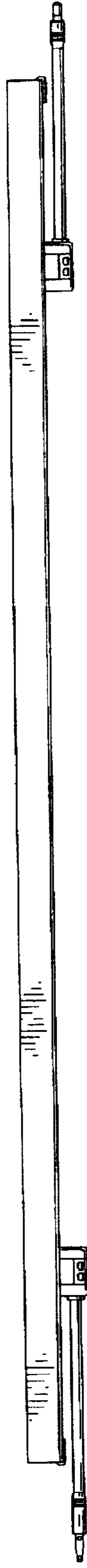


FIG. 3

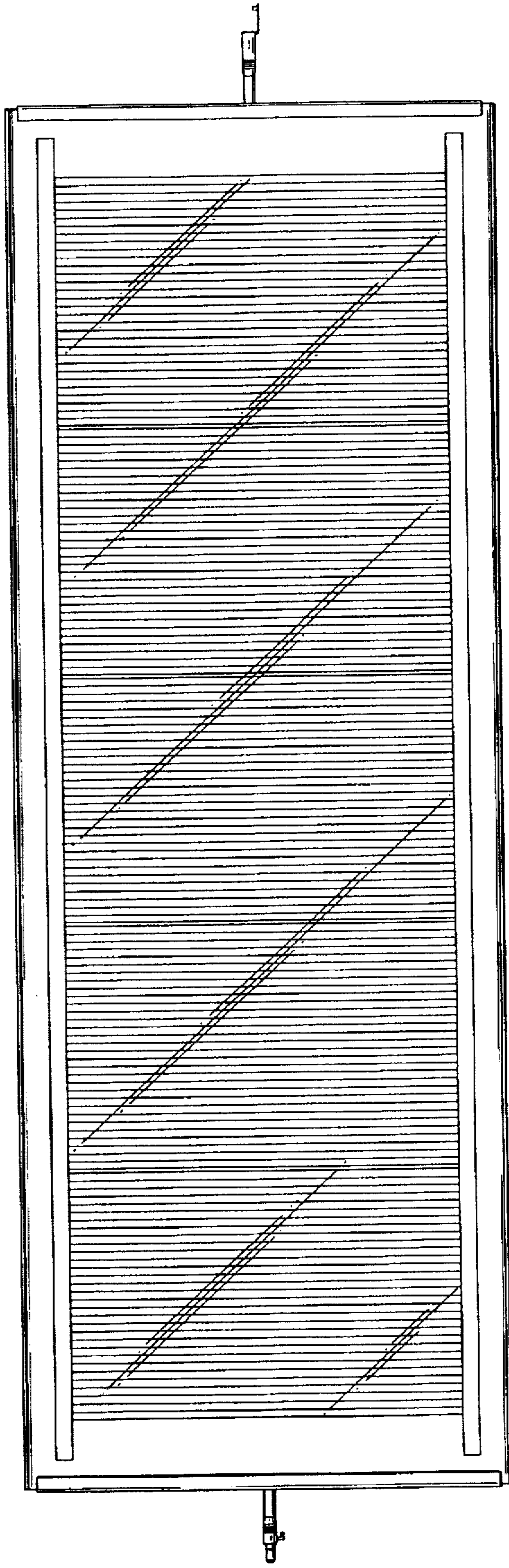


FIG. 4

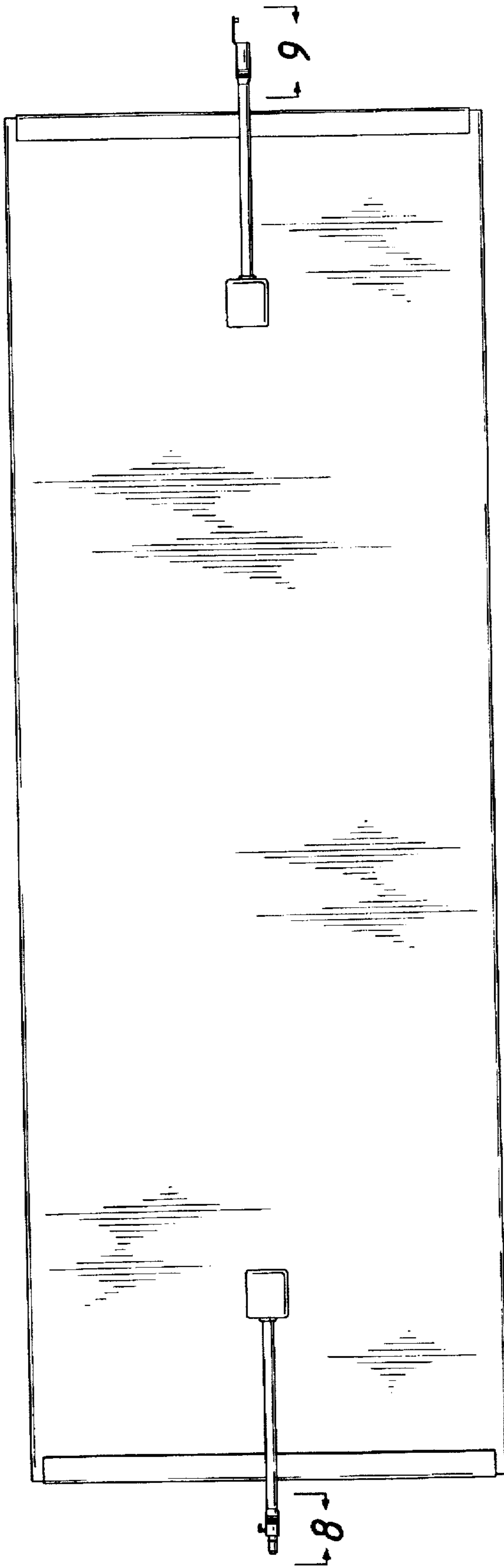


FIG. 6

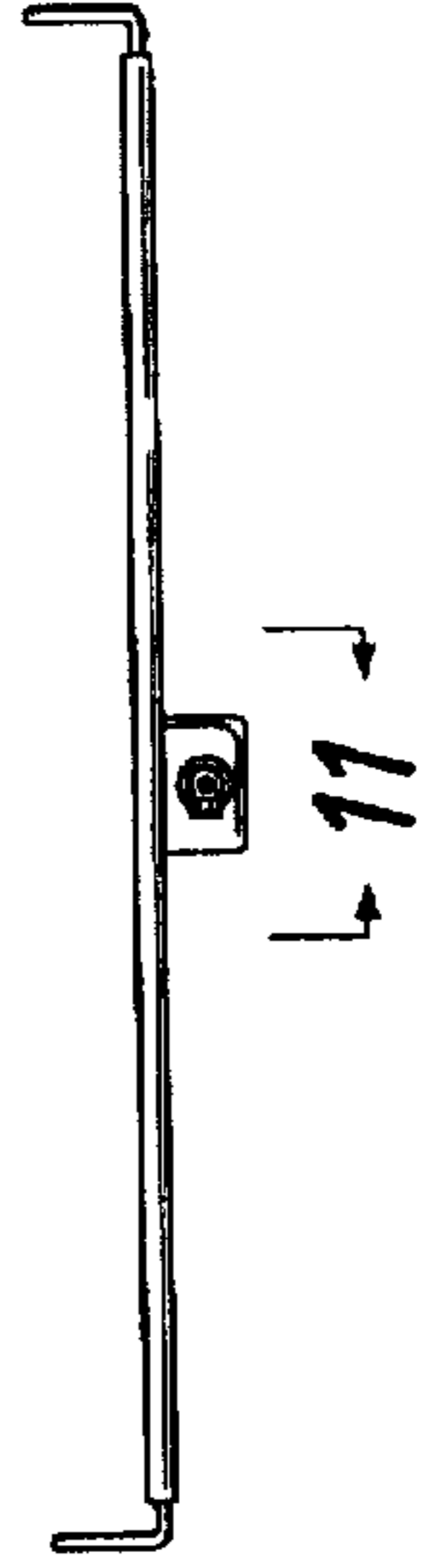


FIG. 5

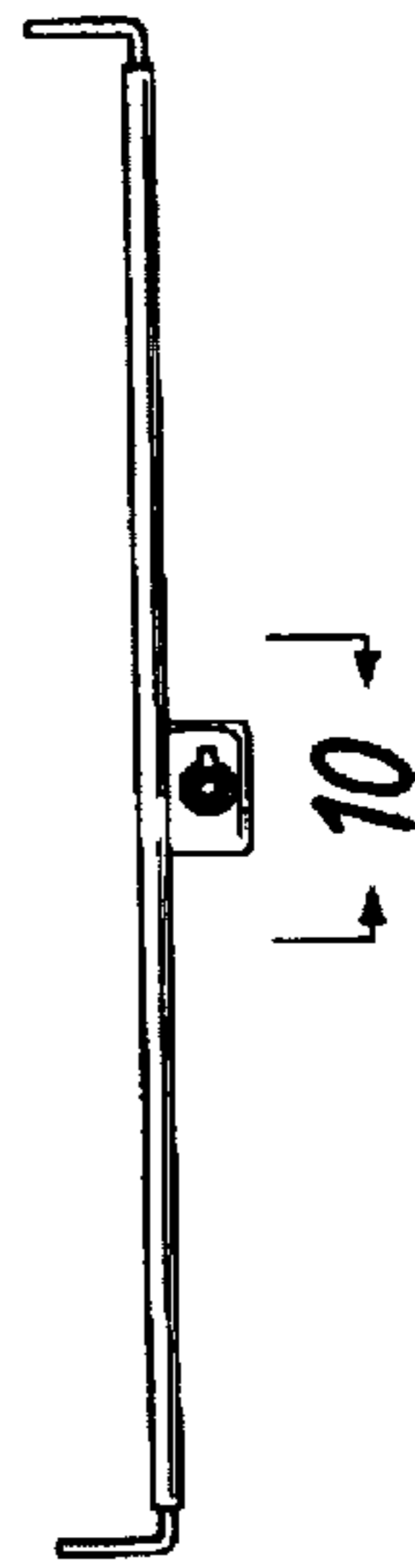


FIG. 7

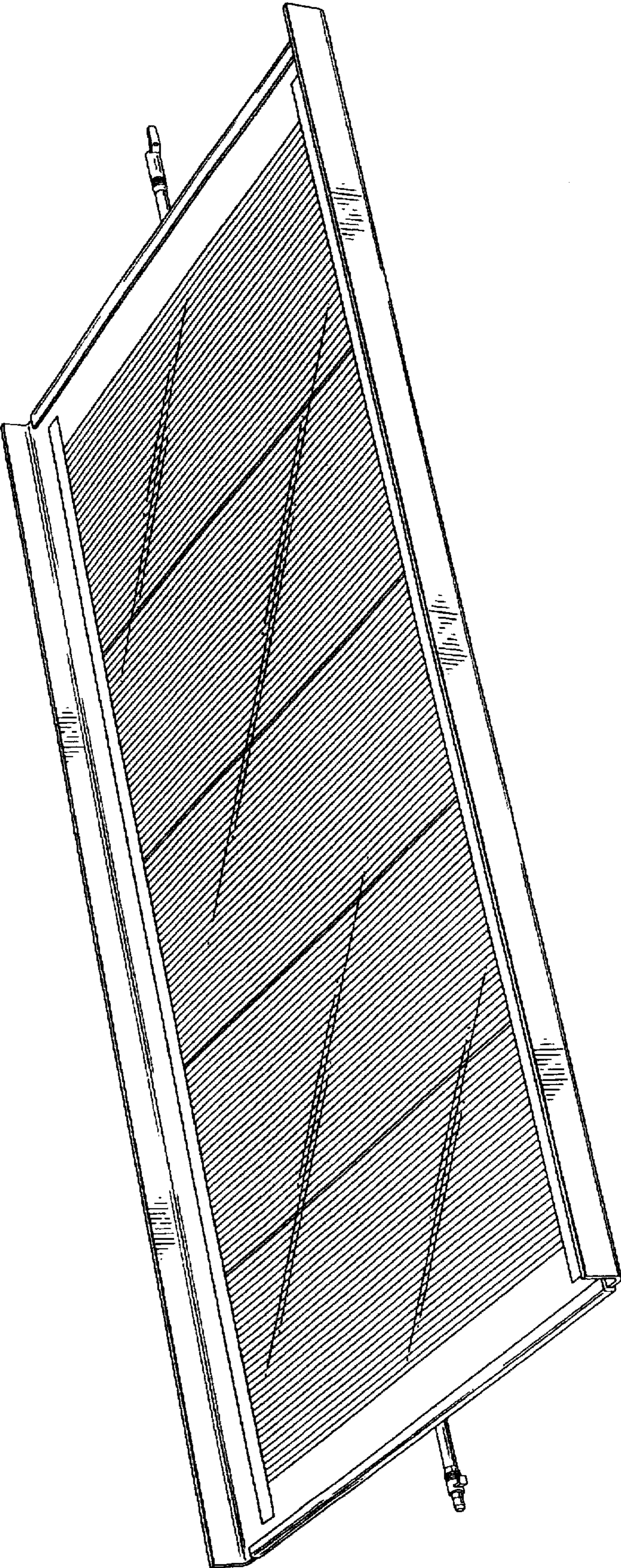


FIG. 8



FIG. 9

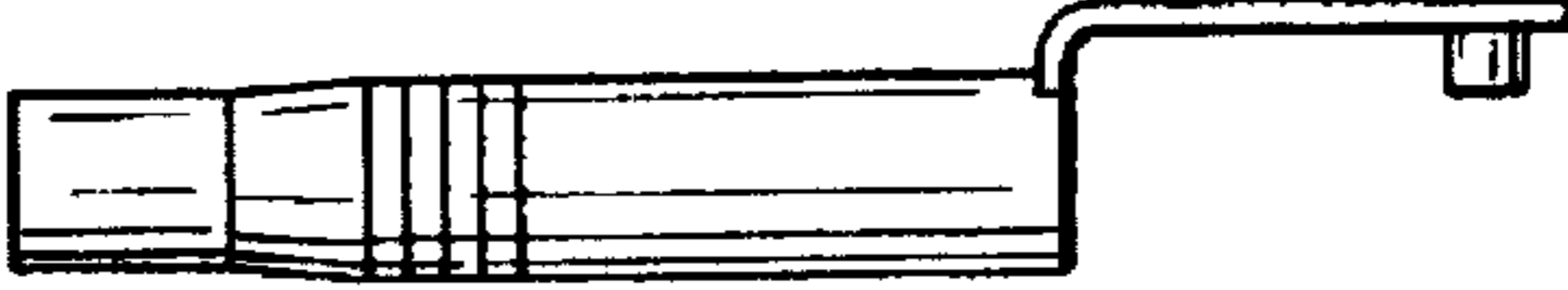


FIG. 10

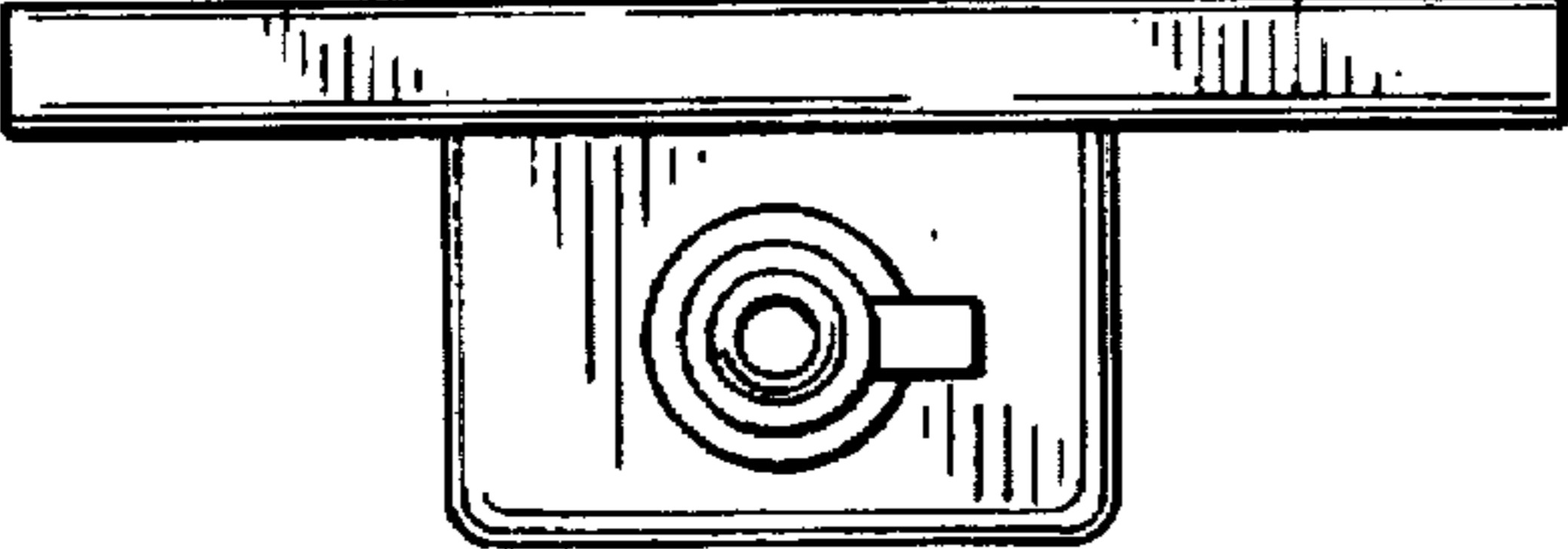


FIG. 11

