



US00D389449S

United States Patent [19]
Hussaini

[11] **Patent Number: Des. 389,449**
[45] **Date of Patent: **Jan. 20, 1998**

[54] **WIPER ARM ADAPTOR**

[75] **Inventor: Saied Hussaini, Miami, Fla.**

[73] **Assignee: Rally Manufacturing, Inc., Miami, Fla.**

[**] **Term: 14 Years**

[21] **Appl. No.: 55,705**

[22] **Filed: Jun. 11, 1996**

[51] **LOC (6) Cl. 12-16**

[52] **U.S. Cl. D12/220**

[58] **Field of Search D12/219, 220;**
15/250.46, 250.32, 250.04, 250.17, 250.203,
250.27, 250.31, 250.5, 250.43, 250.47,
250.35, 250.045, 250.036

[56] **References Cited**

U.S. PATENT DOCUMENTS

D. 353,358	12/1994	Lee	D12/220
3,670,355	6/1972	Sakamoto	15/250.351 X
5,136,748	8/1992	Naruke et al.	15/250.31 X
5,423,106	6/1995	Peyret	15/250.31 X
5,435,041	7/1995	Ho	15/250.46 X

Primary Examiner—Ruth McInroy
Assistant Examiner—Frank Martinez
Attorney, Agent, or Firm—Longacre & White

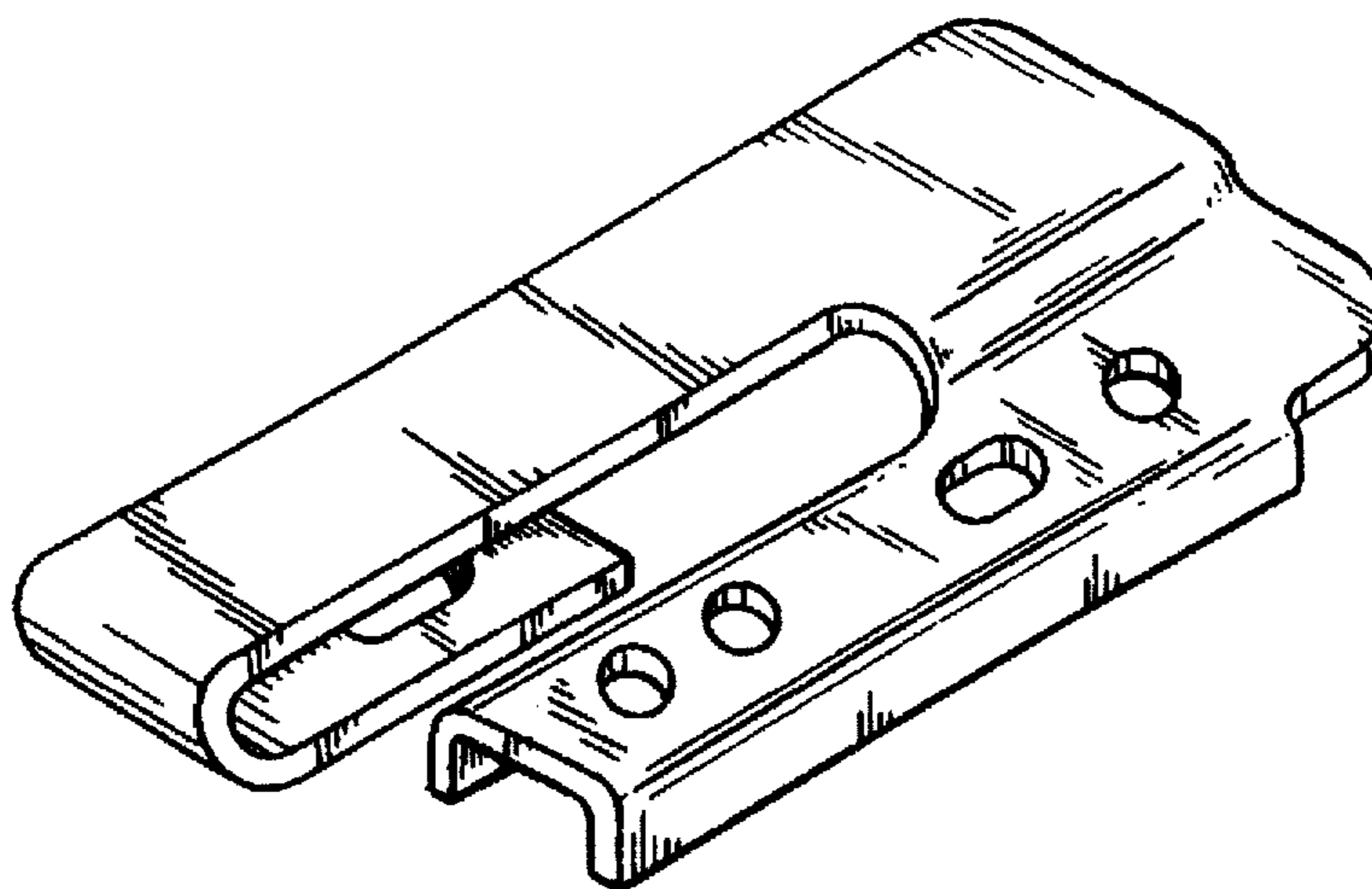
[57] **CLAIM**

The ornamental design for a wiper arm adaptor, as shown.

DESCRIPTION

FIG. 1 is a perspective view of a wiper arm adaptor according to the present invention;
FIG. 2 is a left side view of a wiper arm adaptor according to the present invention;
FIG. 3 is a bottom view of a wiper arm adaptor according to the present invention;
FIG. 4 is a rear view of a wiper arm adaptor according to the present invention;
FIG. 5 is a front view of a wiper arm adaptor according to the present invention;
FIG. 6 is a right side view of a wiper arm adaptor according to the present invention; and
FIG. 7 is a top plan view of a wiper arm adaptor according to the present invention.

1 Claim, 1 Drawing Sheet



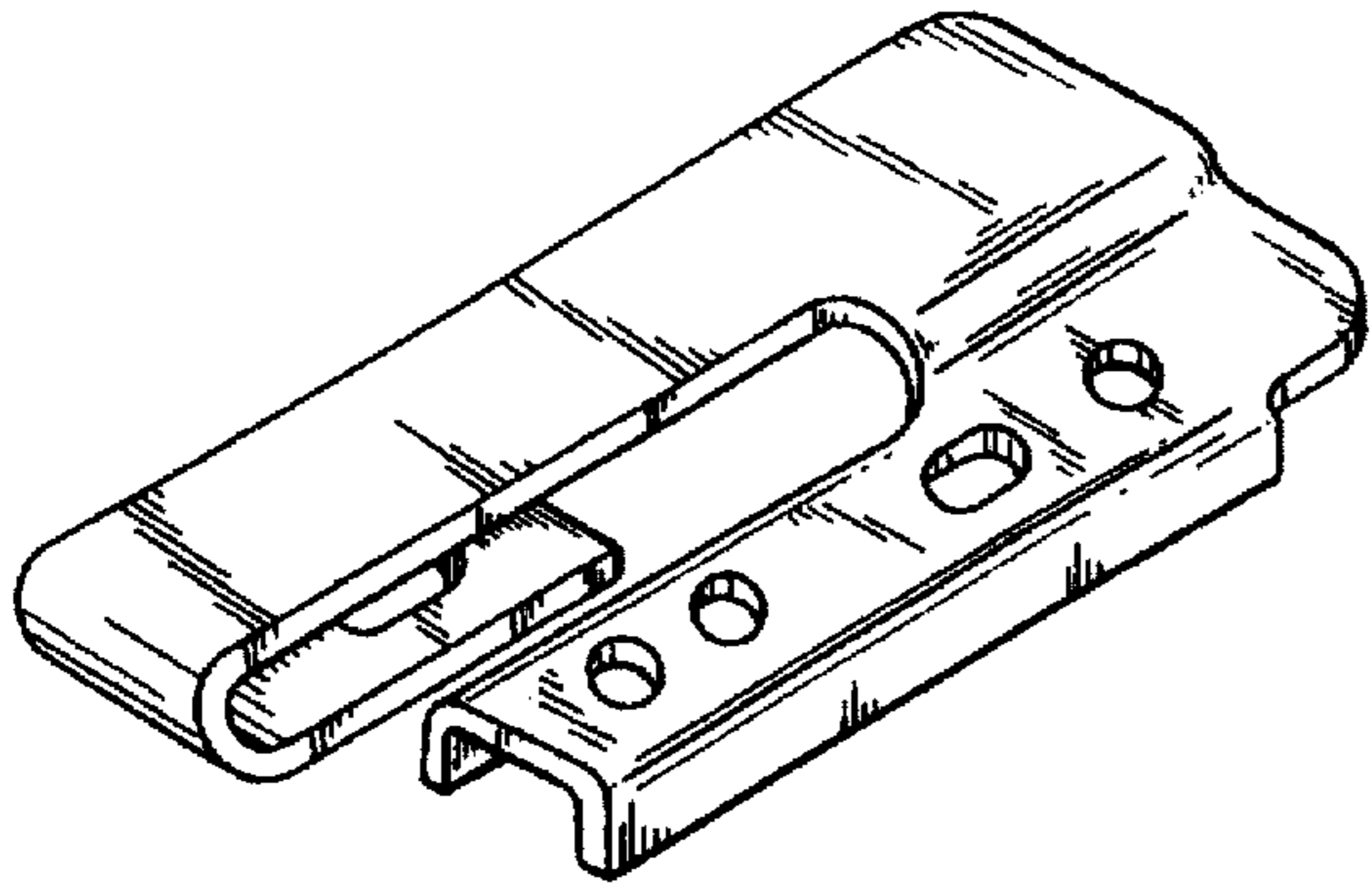


FIG. 1



FIG. 2

FIG. 3

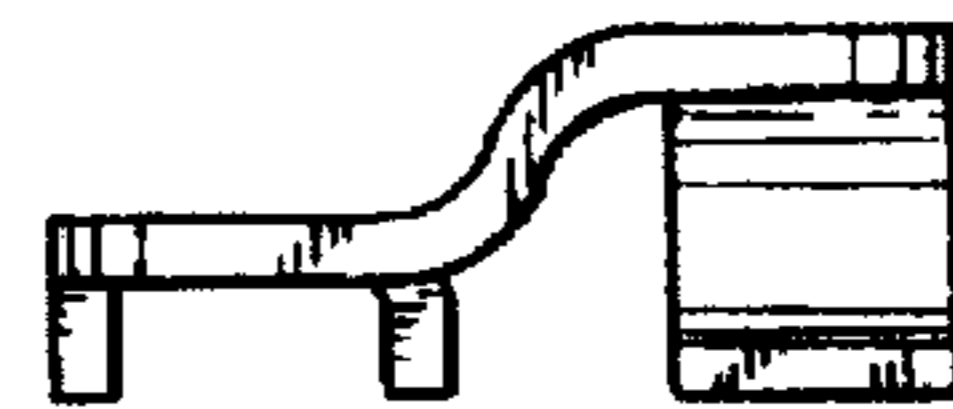
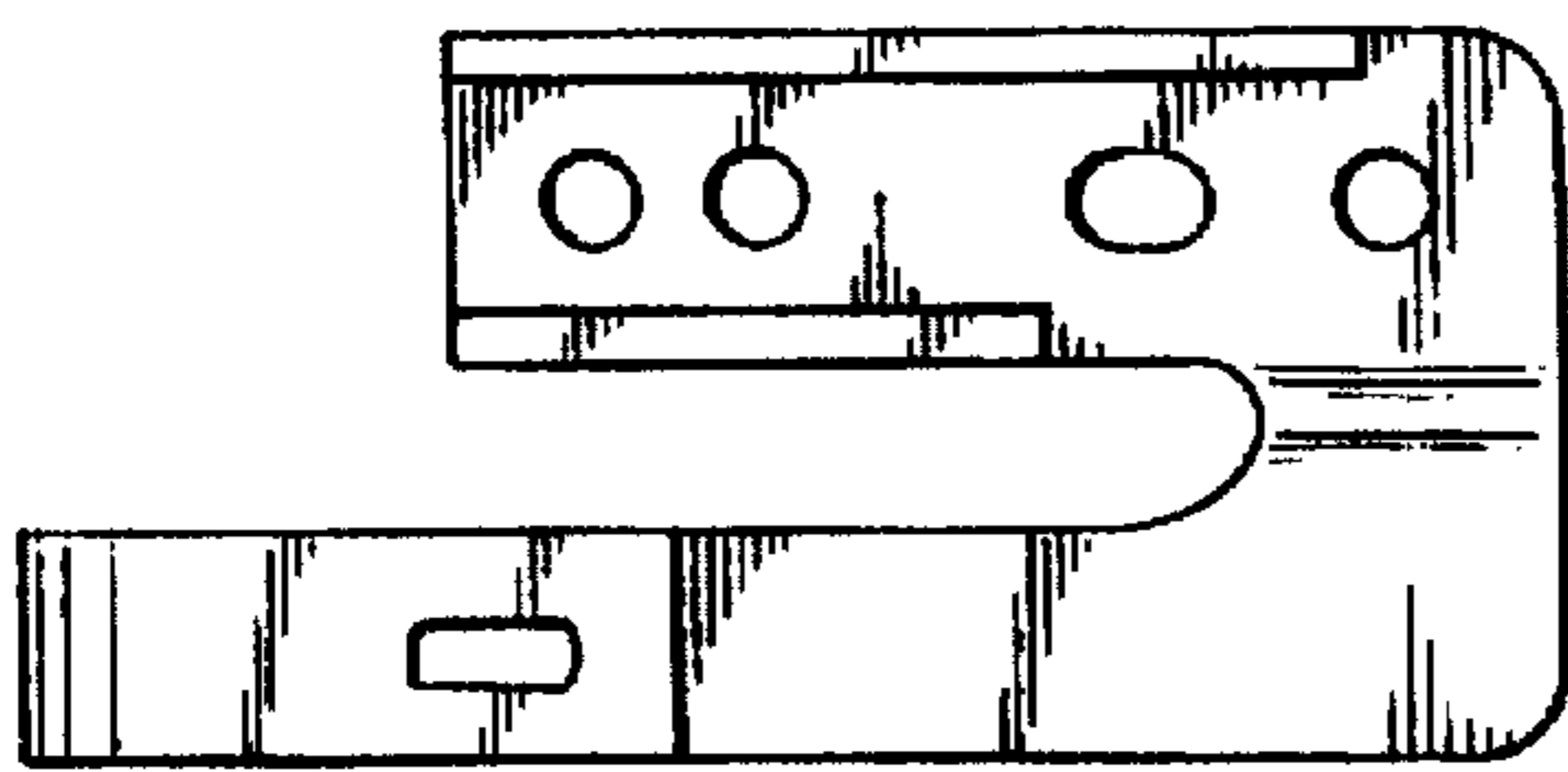


FIG. 4

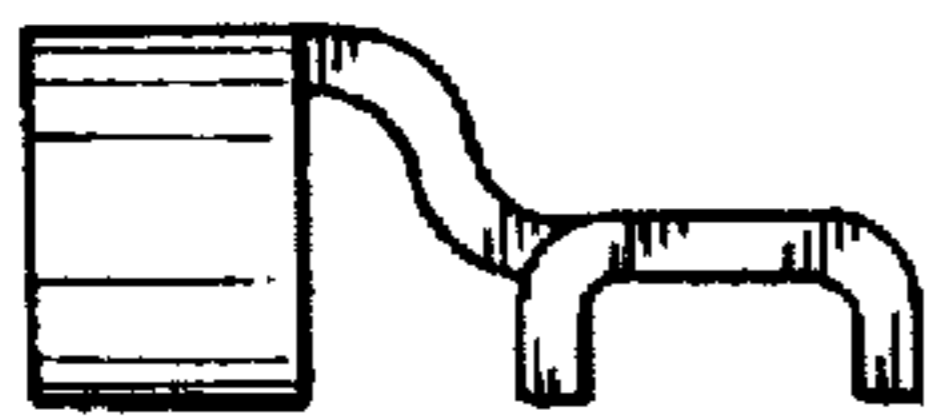


FIG. 5

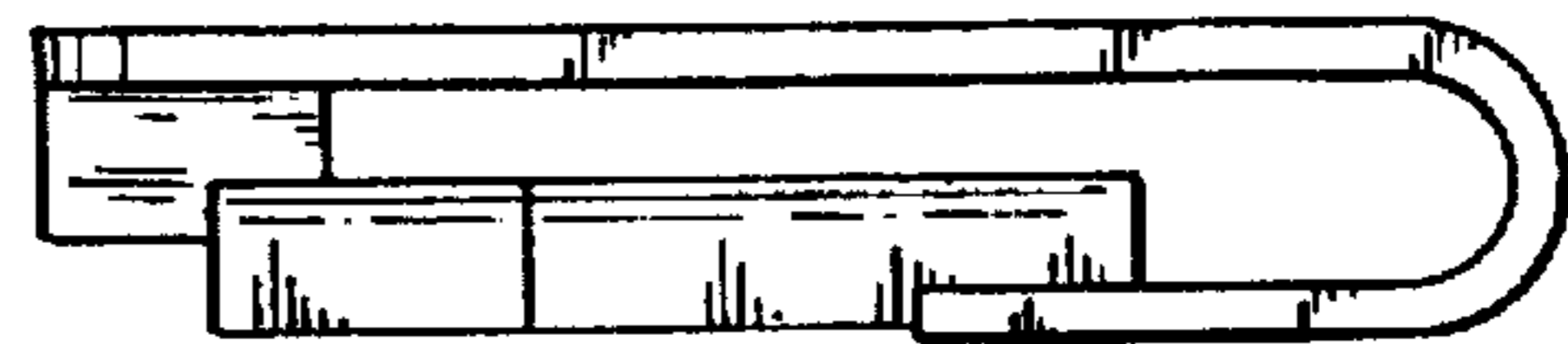


FIG. 6

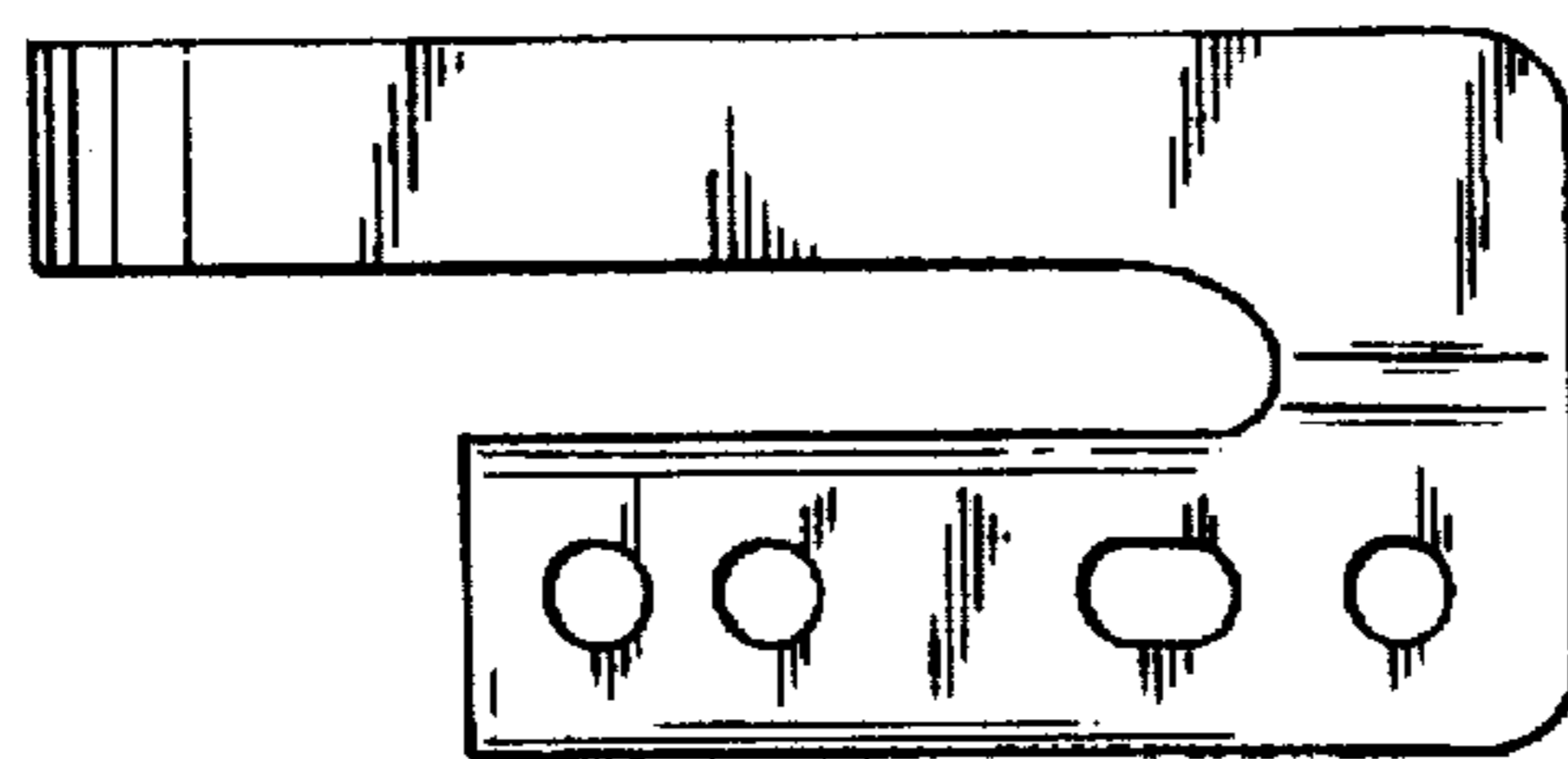


FIG. 7