



US00D389443S

United States Patent [19]

Bialowas et al.

[11] Patent Number: **Des. 389,443**

[45] Date of Patent: ****Jan. 20, 1998**

[54] **REARVIEW MIRROR**

4,832,474 5/1989 Gabrielyan 359/865
4,859,046 8/1989 Traynor et al. 359/850 X

[76] Inventors: **Raymond Bialowas; Neva Bialowas,**
both of 2067 Envoy Ct., Clearwater,
Fla. 34624-2560

Primary Examiner—Ralf Seifert
Attorney, Agent, or Firm—Harold H. Dutton, Jr.

[**] Term: **14 Years**

[57] **CLAIM**

The ornamental design for a rearview mirror as shown.

[21] Appl. No.: **41,532**

DESCRIPTION

[22] Filed: **Jul. 17, 1995**

[51] LOC (6) Cl. **12-16**

[52] U.S. Cl. **D12/187**

[58] Field of Search D12/187; 359/844,
359/871, 865, 875

FIG. 1 is a front perspective view of a rearview mirror showing my new design;

FIG. 2 is a rear perspective view thereof;

FIG. 3 is a right side view thereof;

FIG. 4 is a left side view thereof; and,

FIG. 5 is a top view thereof.

The side opposite to that shown in FIG. 5 is a mirror image thereof.

[56] **References Cited**

U.S. PATENT DOCUMENTS

4,223,983 9/1980 Bloom 359/871 X
4,311,363 1/1982 Marsalka et al. 359/871 X

1 Claim, 3 Drawing Sheets

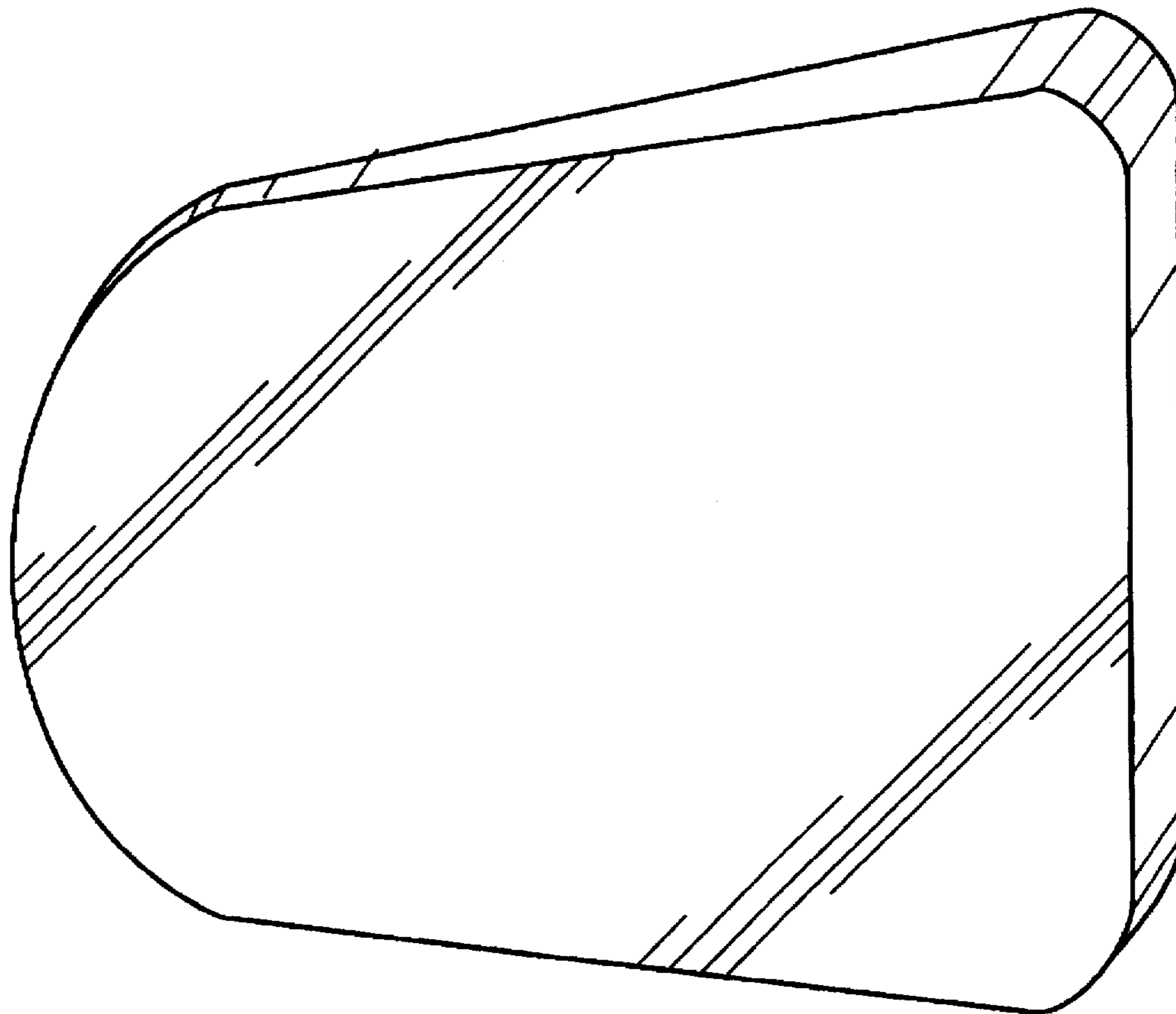


FIG. 1

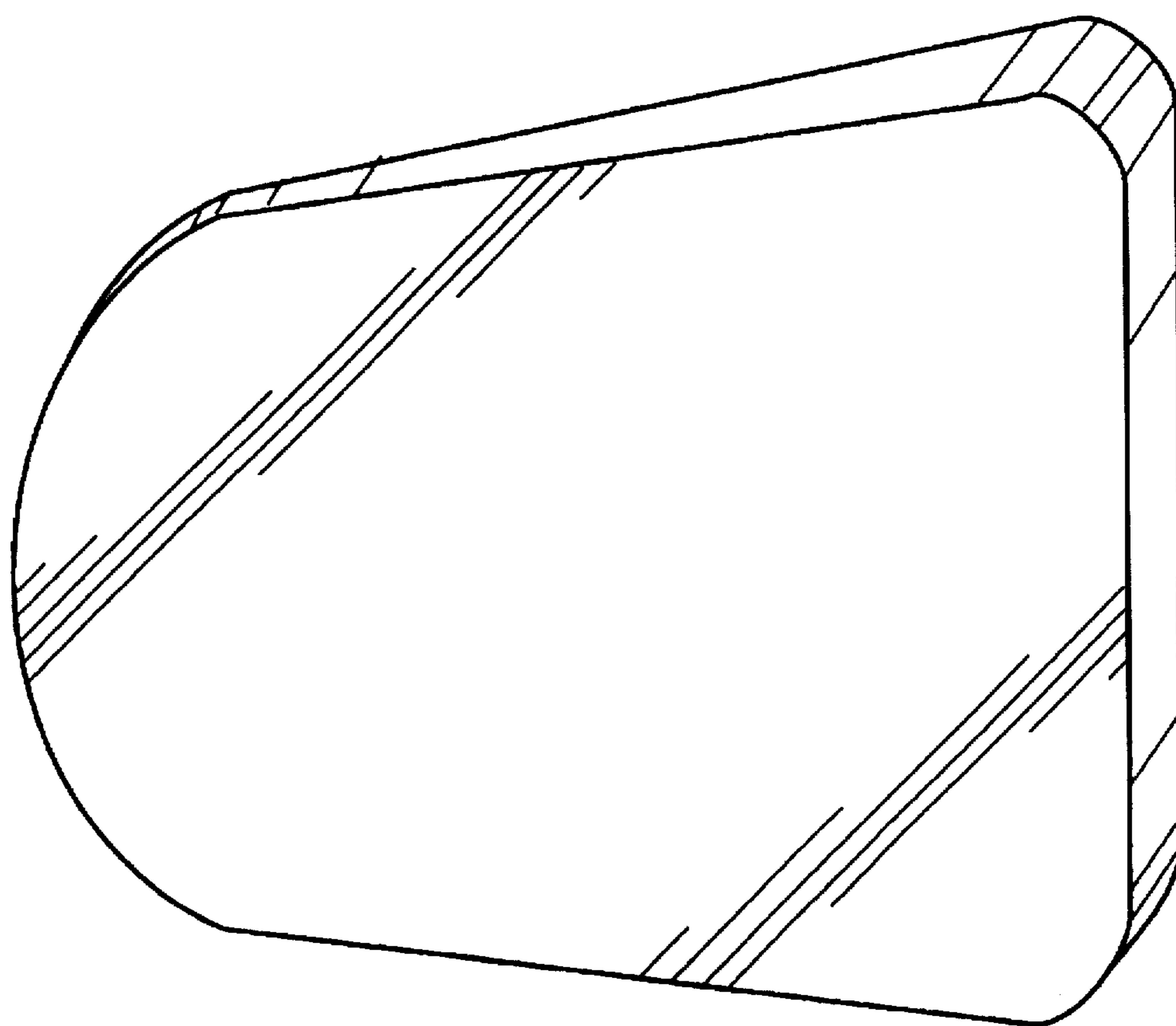
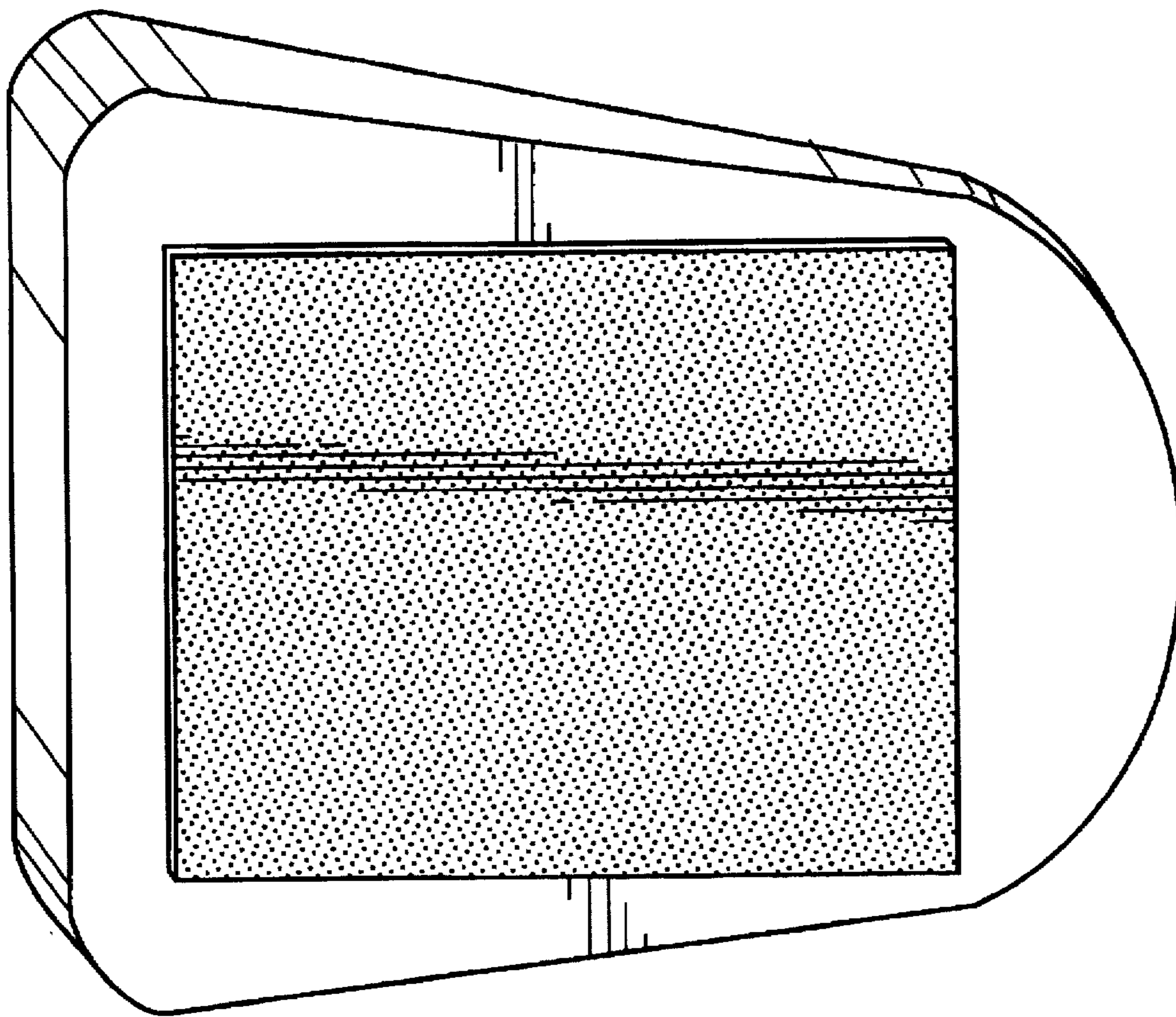


FIG. 2



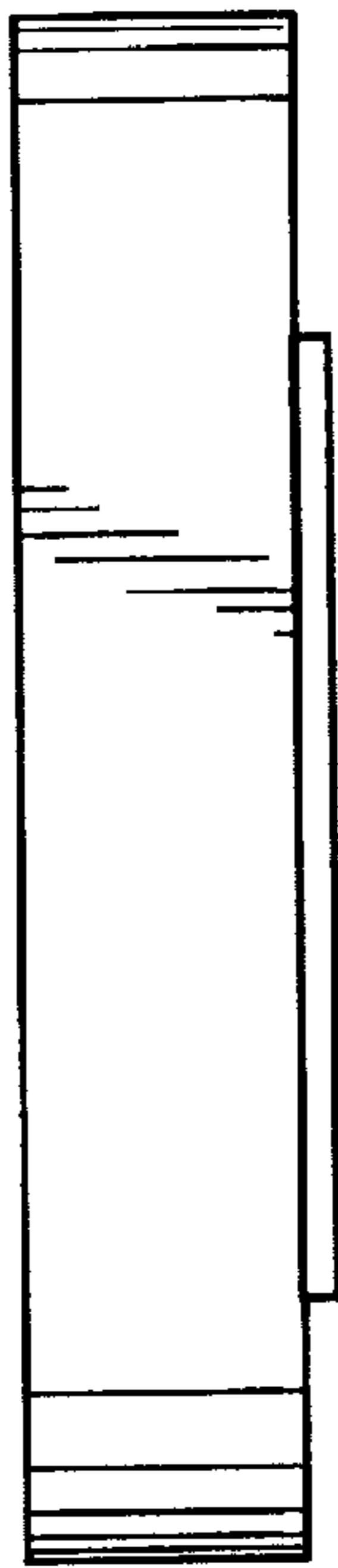


FIG. 3



FIG. 4

FIG. 5

