



US00D389439S

United States Patent [19]
Friedrich

[11] **Patent Number:** **Des. 389,439**
[45] **Date of Patent:** ****Jan. 20, 1998**

[54] **BODY OF A TRAILER FOR VEHICLES**

[75] **Inventor:** **Gerhard Friedrich, Munich, Germany**

[73] **Assignee:** **Bayerische Motoren Werke
Aktiengesellschaft, Munich, Germany**

[**] **Term:** **14 Years**

[21] **Appl. No.:** **62,337**

[22] **Filed:** **Nov. 13, 1996**

[30] **Foreign Application Priority Data**

May 13, 1996 [DE] Germany M9604362.8

[51] **LOC (6) Cl.** **12-10**

[52] **U.S. Cl.** **D12/102**

[58] **Field of Search** **D12/101-103,
D12/105; 280/418.1, 491.1, 482; 296/181,
24.1**

[56] **References Cited**

U.S. PATENT DOCUMENTS

D. 268,101	3/1983	Pope et al.	D12/102
D. 268,178	3/1983	Reid	D12/102
D. 310,982	10/1990	Badsey	D12/102
D. 373,100	8/1996	Carter	D12/102

Primary Examiner—Melody N. Brown
Attorney, Agent, or Firm—Evenson, McKeown, Edwards & Lenahan, P.L.L.C.

[57] **CLAIM**

The ornamental design for a body of a trailer for vehicles, as shown and described.

DESCRIPTION

FIG. 1 is a left side view of a body of a trailer for vehicles according to my novel design;

FIG. 2 is a right side view of a body of a trailer for vehicles according to my novel design;

FIG. 3 is a front elevational view of a body of a trailer for vehicles according to my novel design;

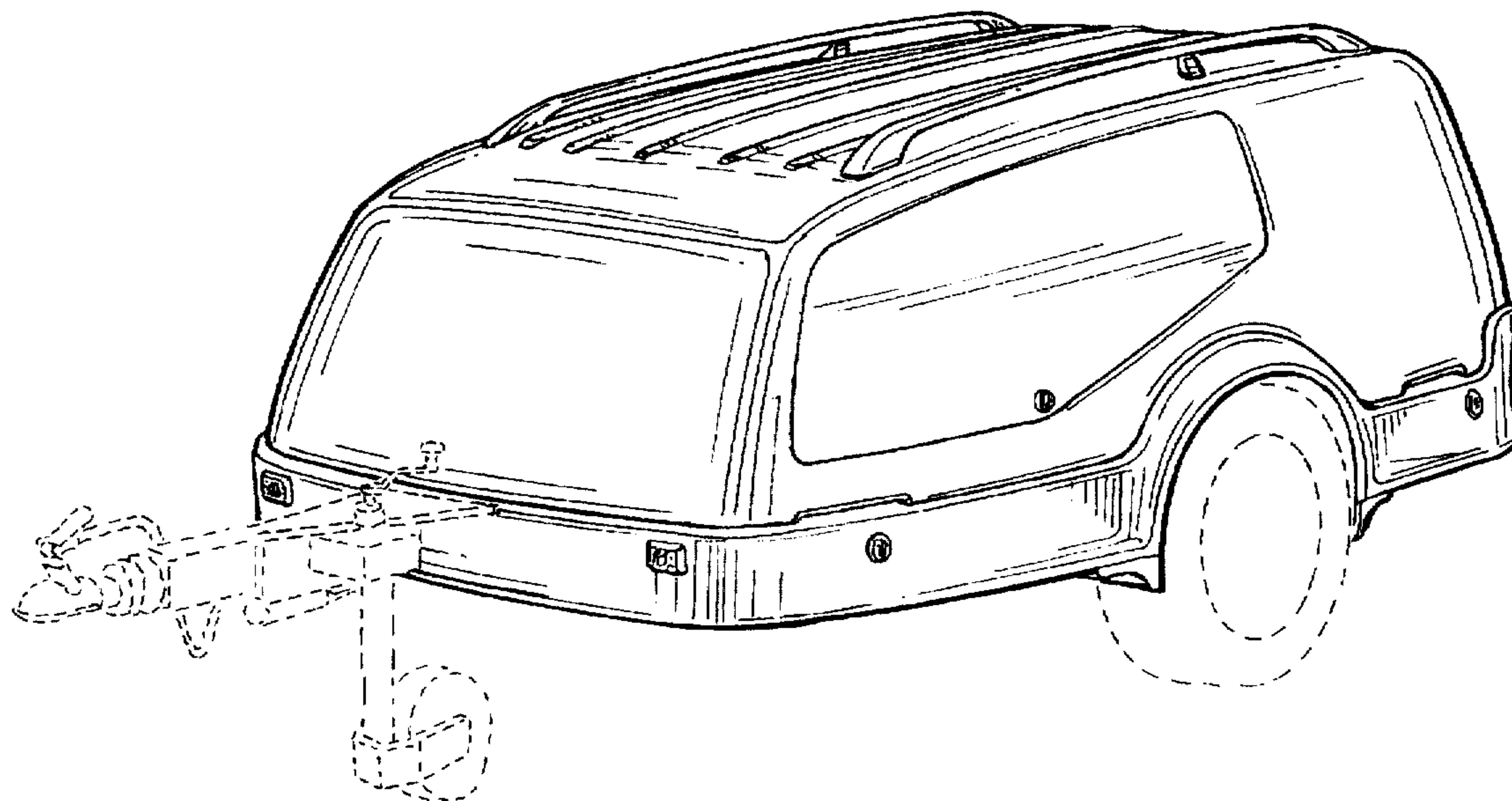
FIG. 4 is a rear elevational view of a body of a trailer for vehicles according to my novel design;

FIG. 5 is left-front perspective view of a body of a trailer for vehicles according to my novel design; and,

FIG. 6 is a left-rear perspective view of a body of a trailer for vehicles according to my novel design.

The broken line showings are for illustrative purposes only and form no part of the claimed design.

1 Claim, 5 Drawing Sheets



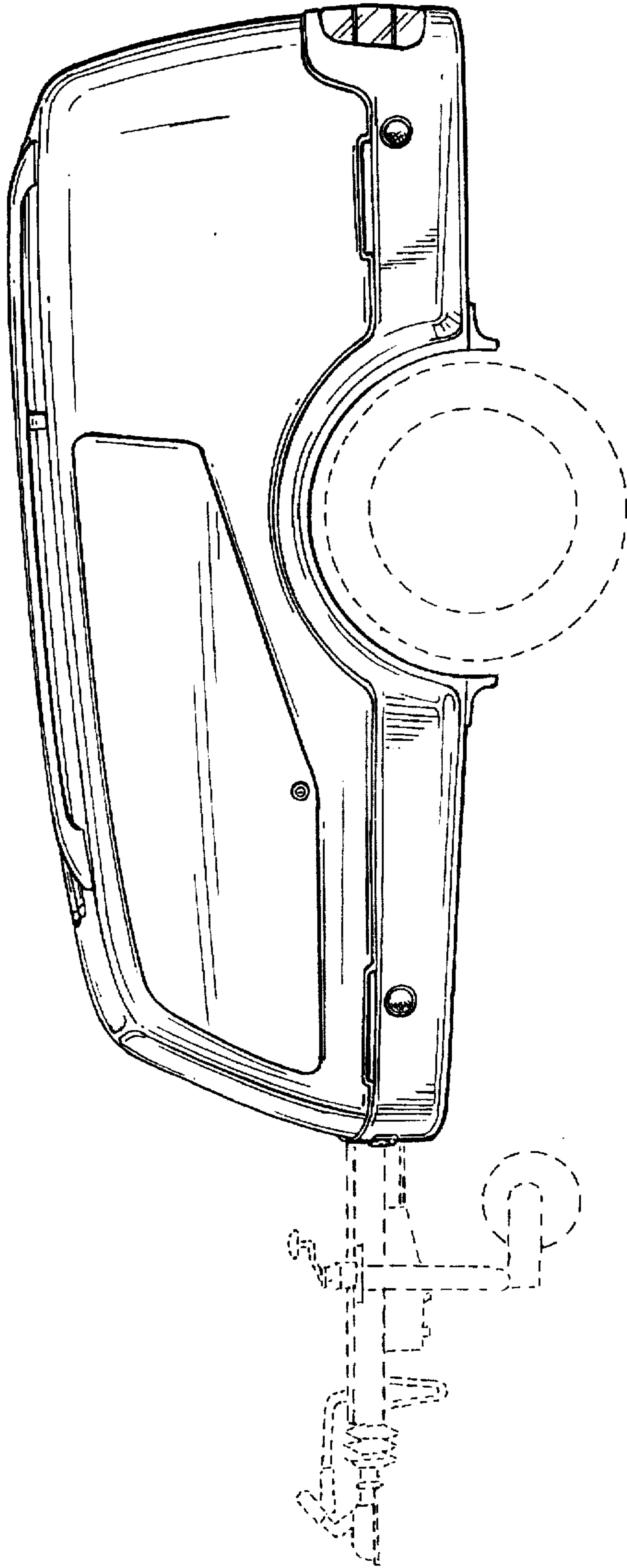


FIG.1

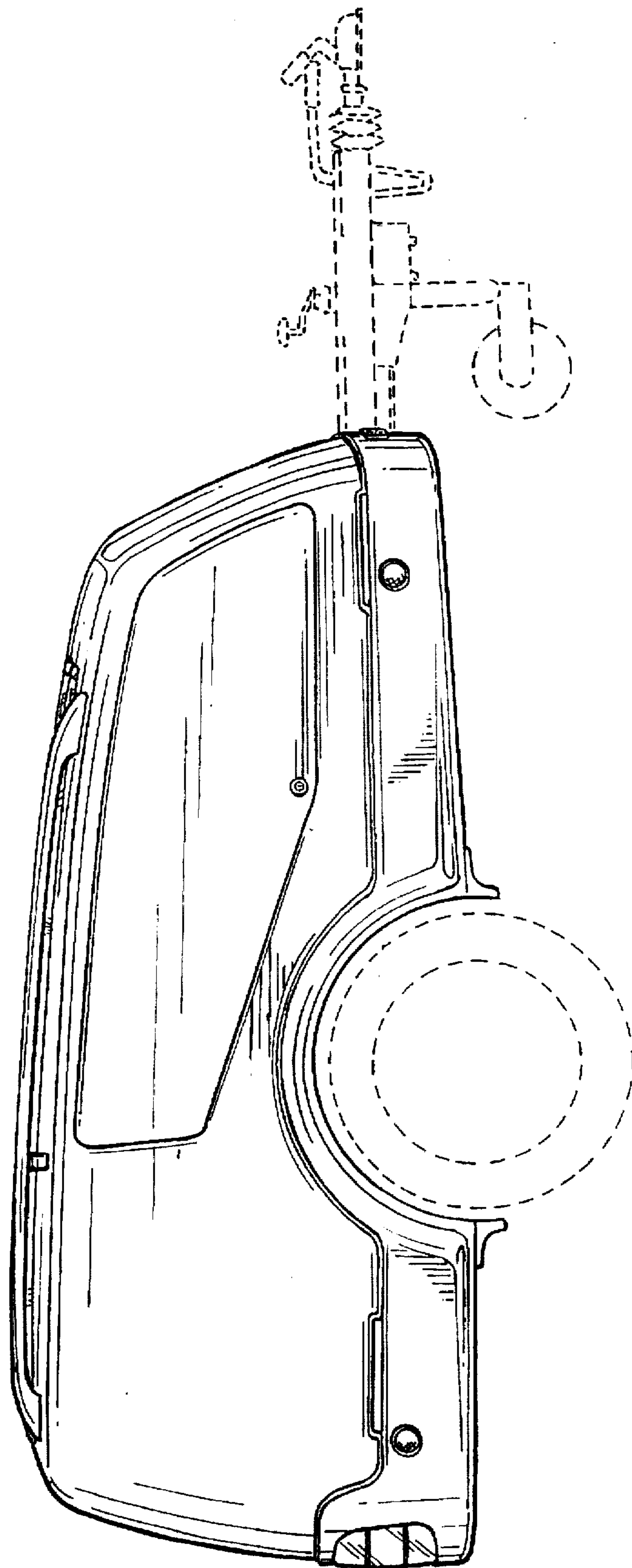


FIG. 2

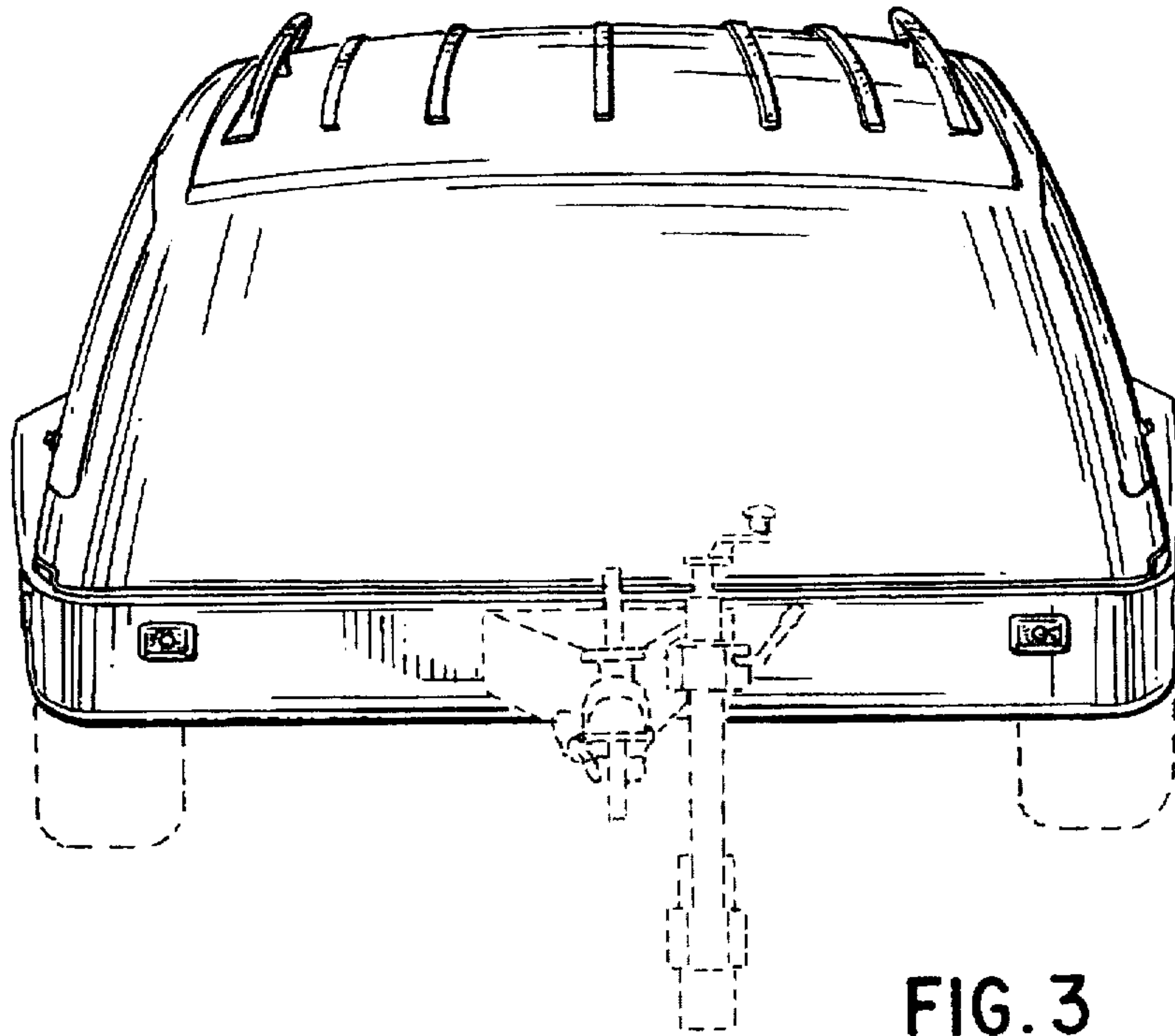


FIG. 3

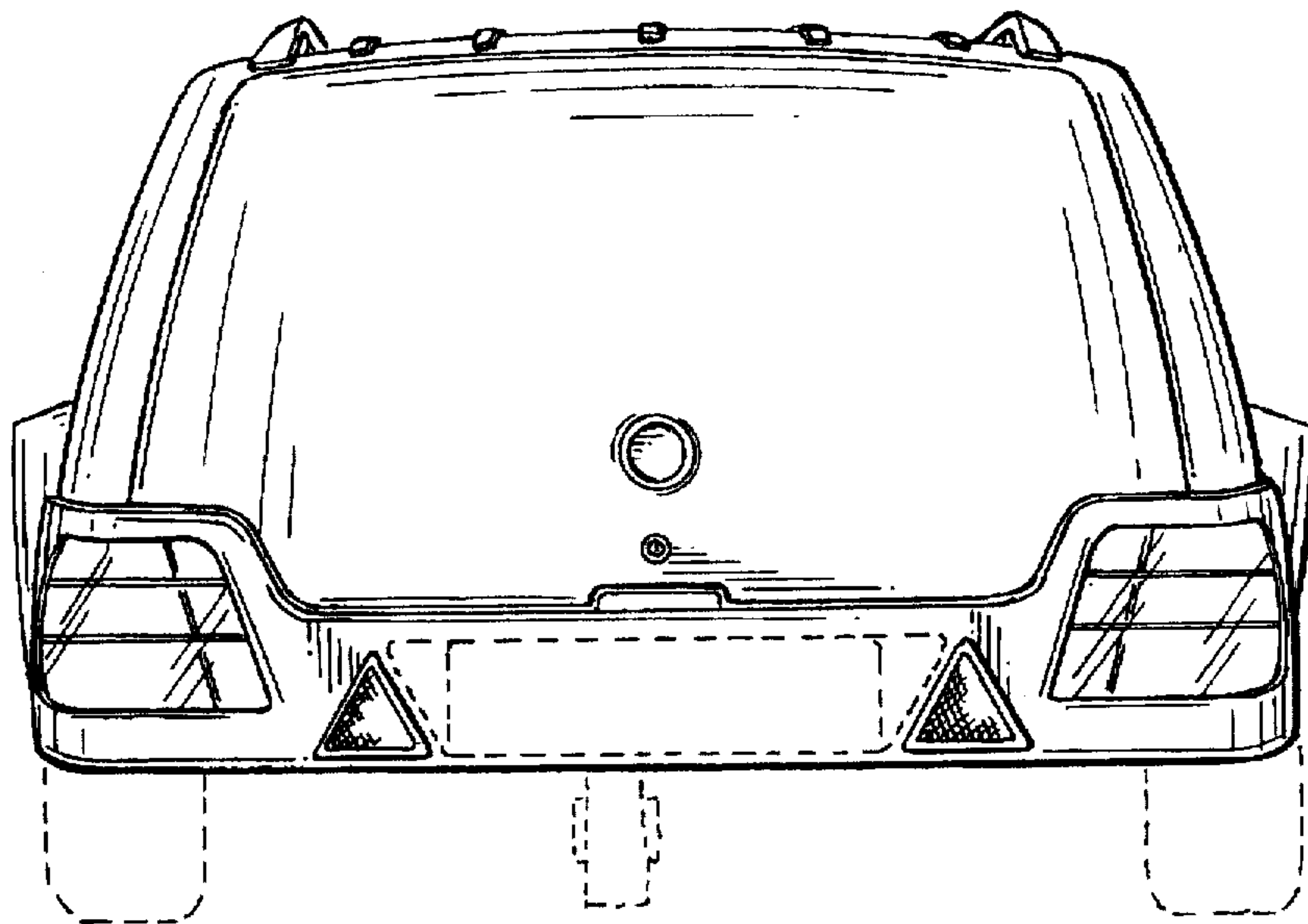


FIG. 4

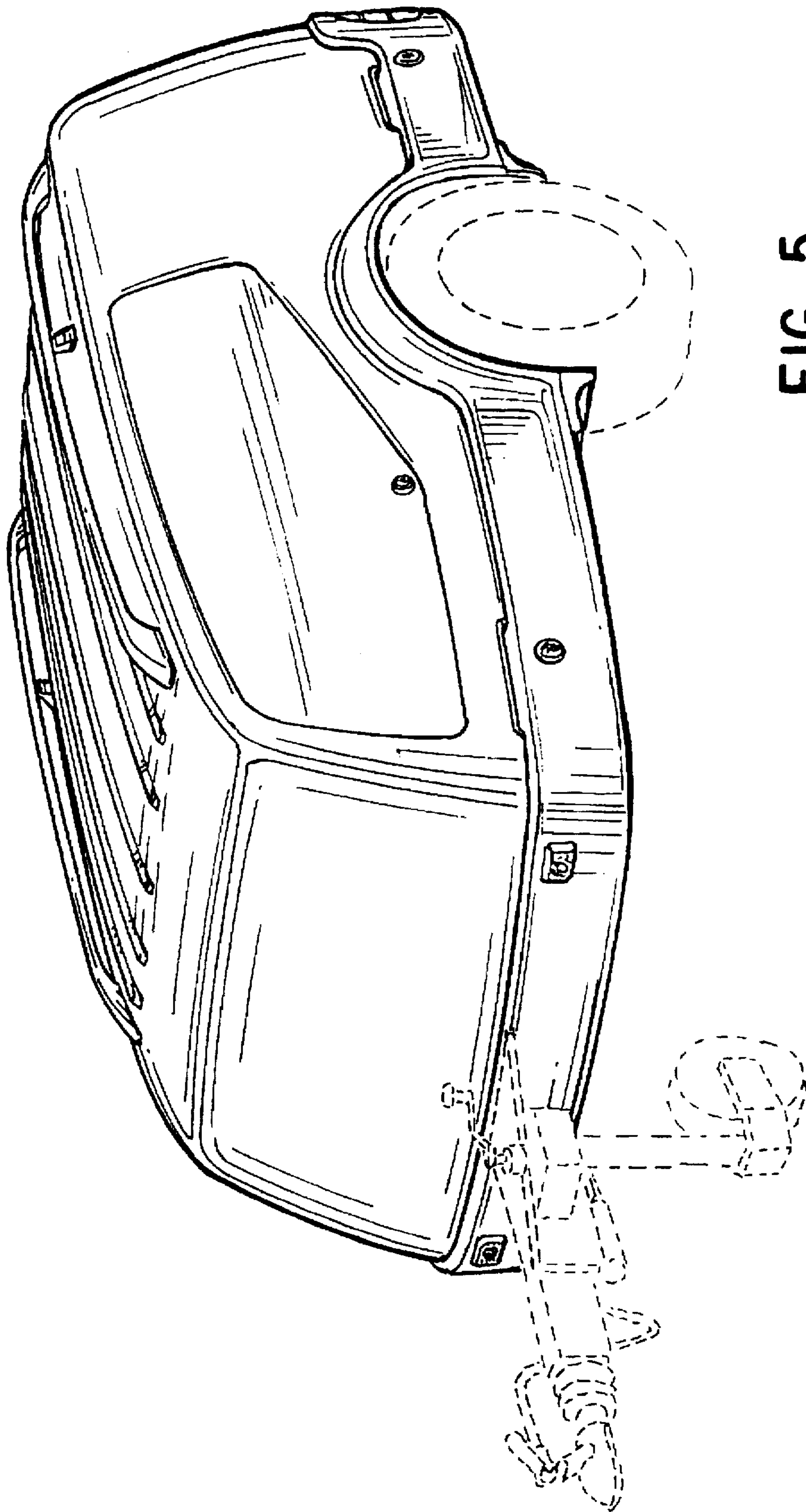


FIG. 5

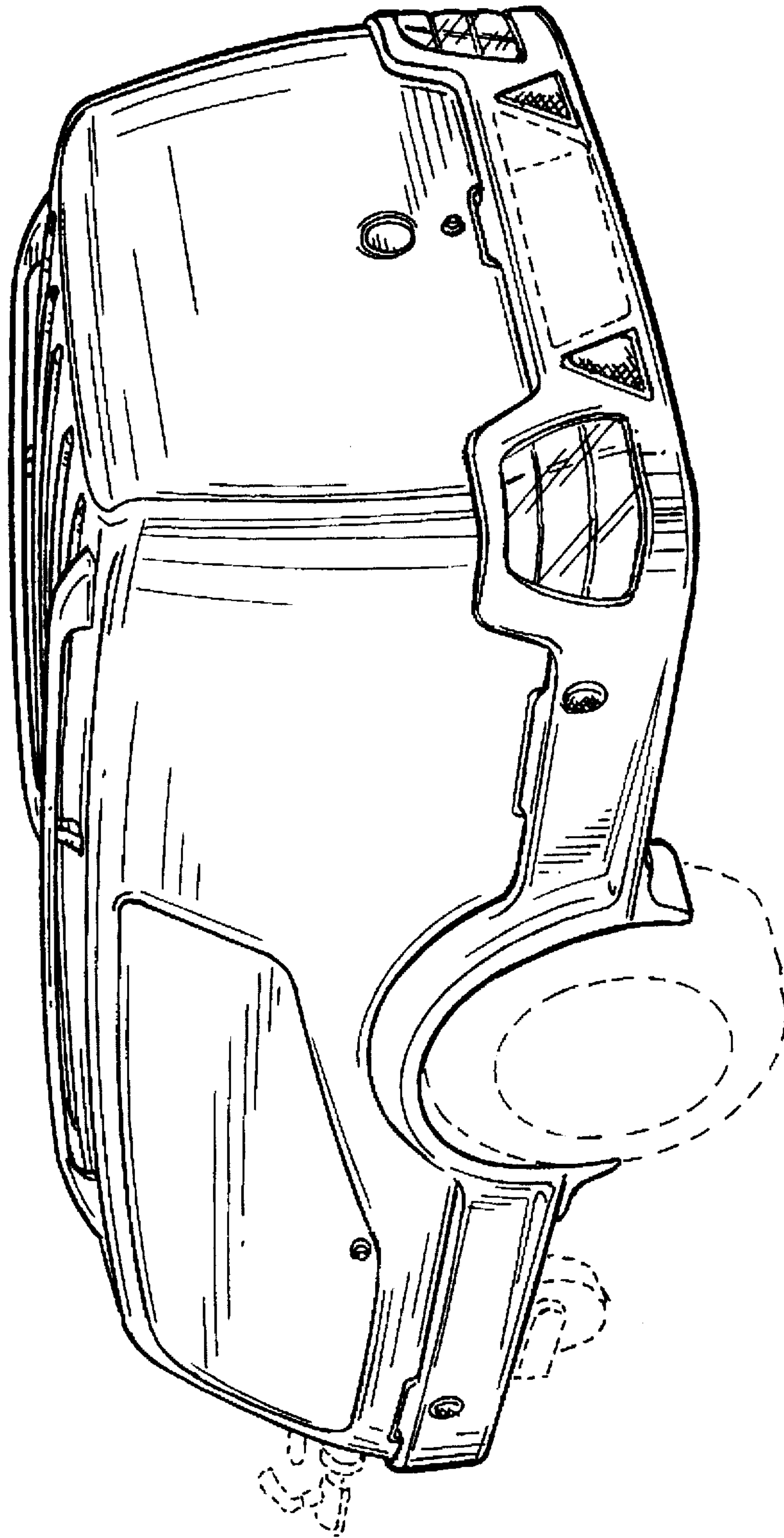


FIG. 6