



US00D389421S

United States Patent [19]

Fushimi et al.

[11] Patent Number: Des. 389,421

[45] Date of Patent: **Jan. 20, 1998

[54] AUDIBLE SIGNAL FOR ALARM UNITS

[75] Inventors: Isao Fushimi; Yoshio Imahori, both of Shizuoka, Japan

[73] Assignee: Star Micronics Co., Ltd., Shizuoka-ken, Japan

[**] Term: 14 Years

[21] Appl. No.: 69,301

[22] Filed: Mar. 26, 1997

[30] Foreign Application Priority Data

Sep. 27, 1996 [JP] Japan 8-28950

[51] LOC (6) Cl. 10-05

[52] U.S. Cl. D10/116

[58] Field of Search D10/104, 106, D10/116, 121; D13/152, 156; 340/384.1, 384.3, 384.7, 388.1, 390.1, 391.1, 392.1, 392.2, 392.4

[56] References Cited

U.S. PATENT DOCUMENTS

- D. 339,544 9/1993 Sone D10/106
- D. 371,312 7/1996 Suguki D10/106
- D. 378,746 4/1997 Imahori D10/116

Primary Examiner—Marcus A. Jackson

Attorney, Agent, or Firm—Pollock, Vande Sande & Priddy

[57] CLAIM

The ornamental design for an audible signal for alarm units, as shown and described.

DESCRIPTION

FIG. 1 is a perspective view of an audible signal for alarm units showing our new design;

FIG. 2 is a front elevational view thereof;

FIG. 3 is a rear elevational view thereof;

FIG. 4 is a top plan view thereof (of which a bottom plan view would be a mirror image);

FIG. 5 is a right side elevational view thereof (of which a left side elevational view would be a mirror image);

FIG. 6 is a cross-sectional view thereof taken on line 6—6 of FIG. 2, an internal mechanism of which is not shown;

FIG. 7 is a cross-sectional view thereof taken on line 7—7 of FIG. 2, an internal mechanism of which is not shown;

FIG. 8 is a cross-sectional view thereof taken on line 8—8 of FIG. 4, an internal mechanism of which is not shown;

FIG. 9 is a cross-sectional view thereof taken on line 9—9 of FIG. 4, an internal mechanism of which is not shown.

1 Claim, 6 Drawing Sheets

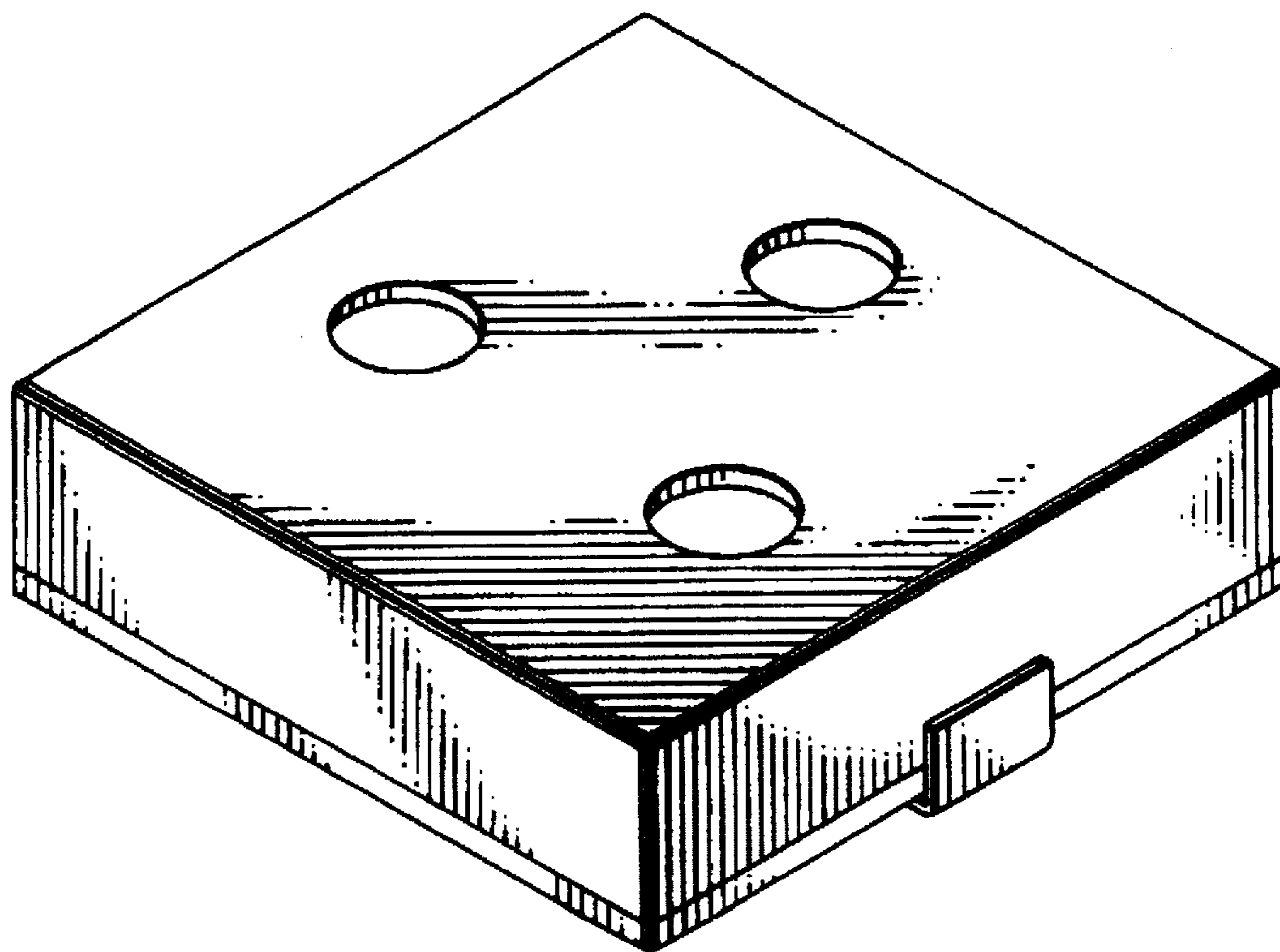


FIG. 1

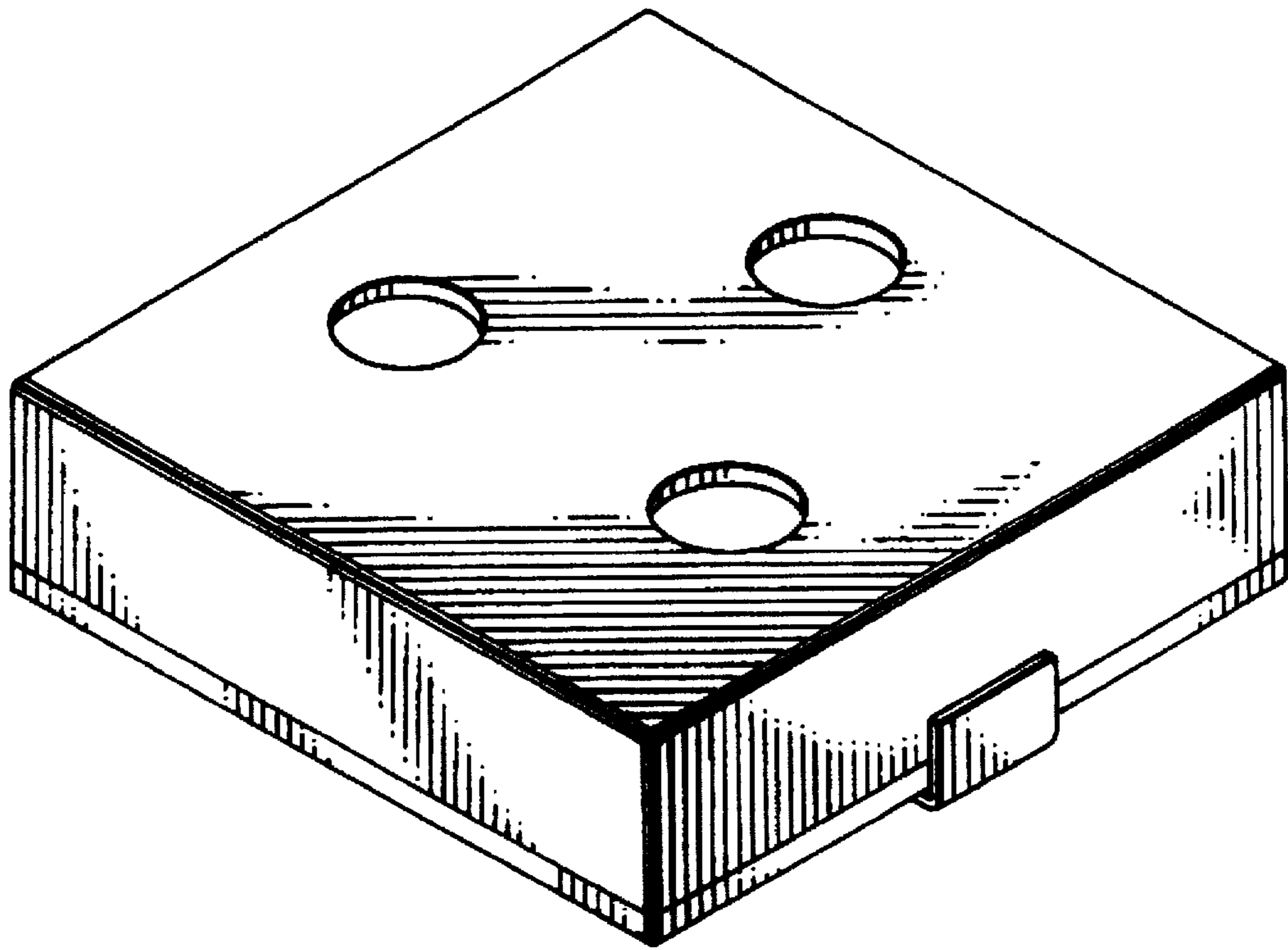


FIG. 2

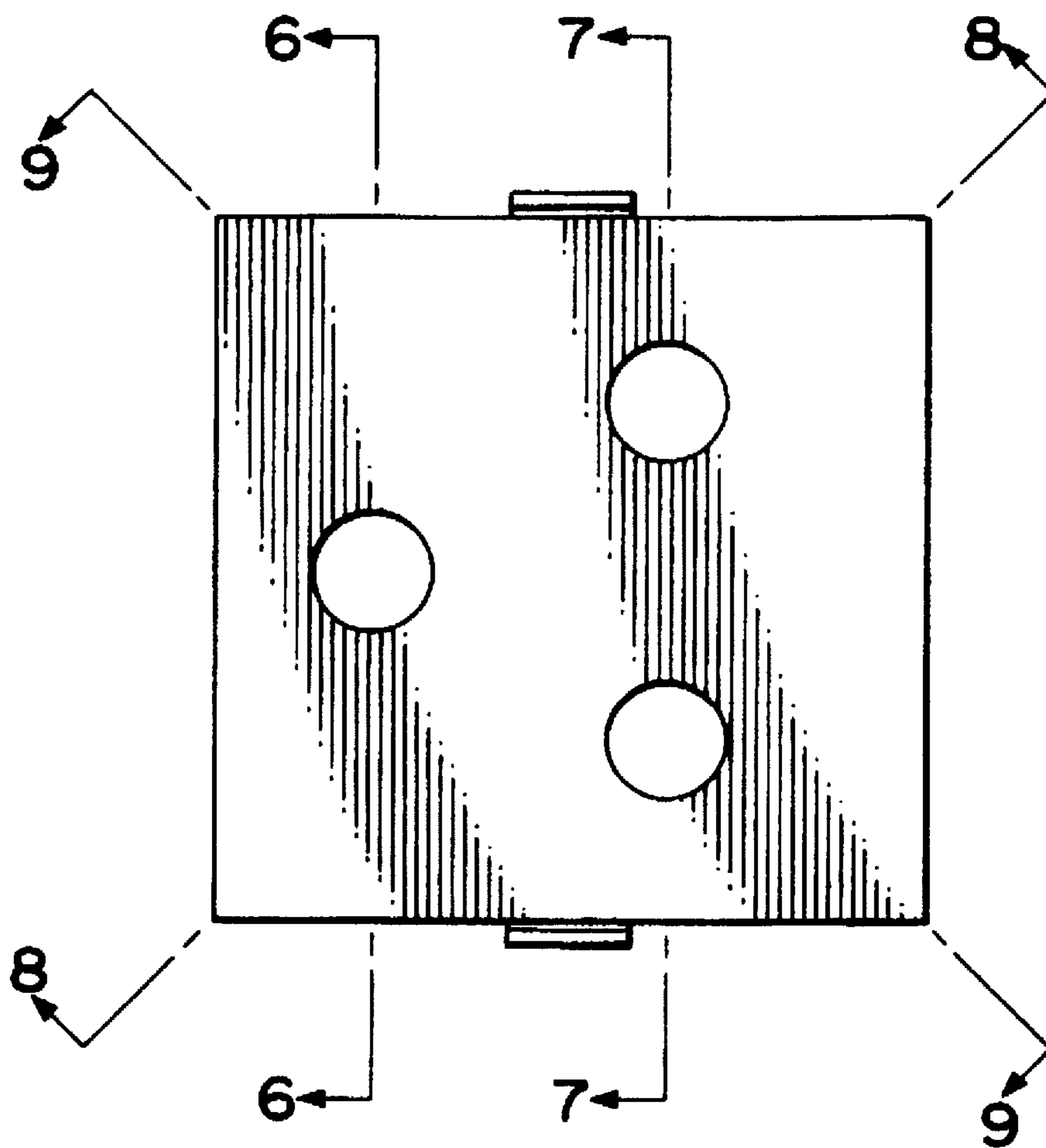


FIG. 3

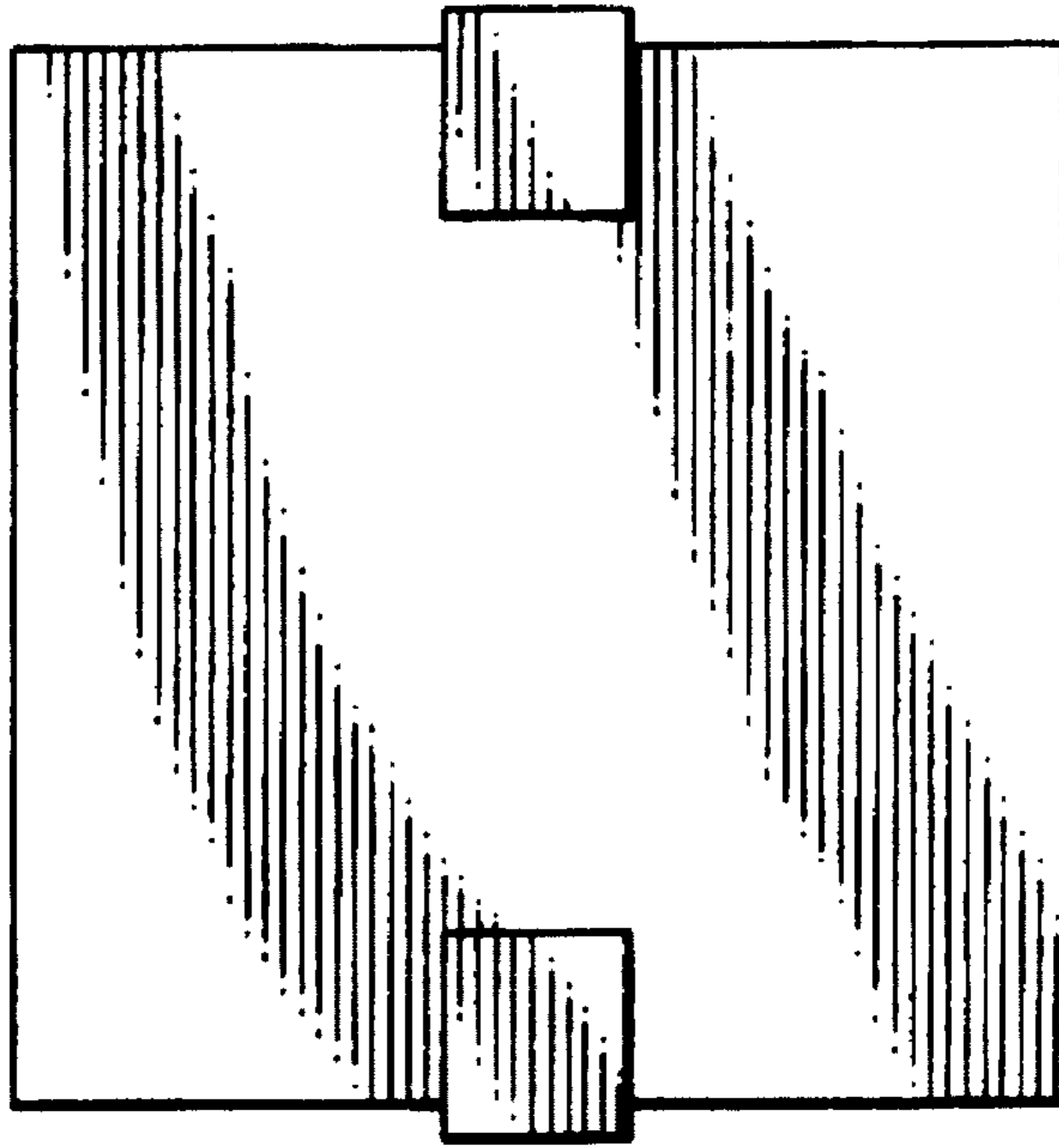


FIG. 4



FIG. 5

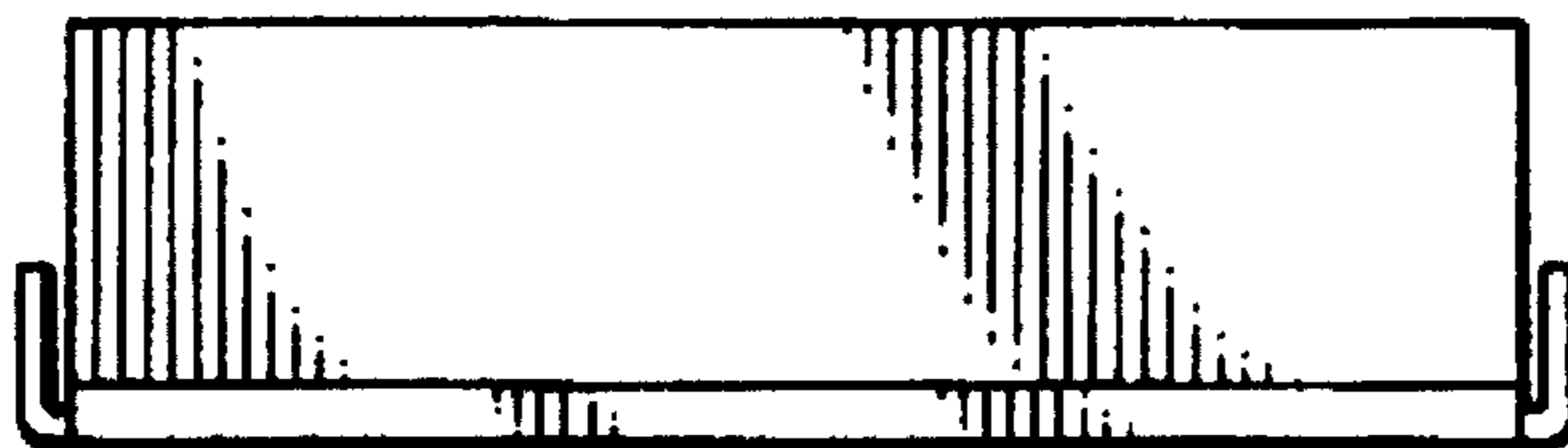


FIG. 6

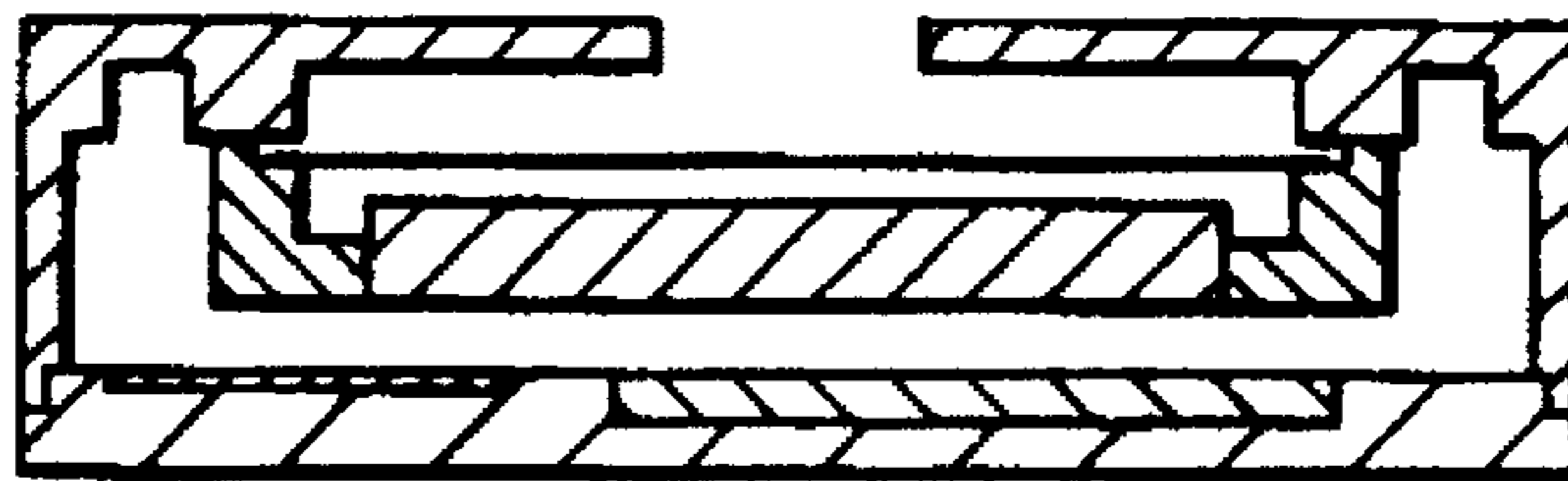


FIG. 7

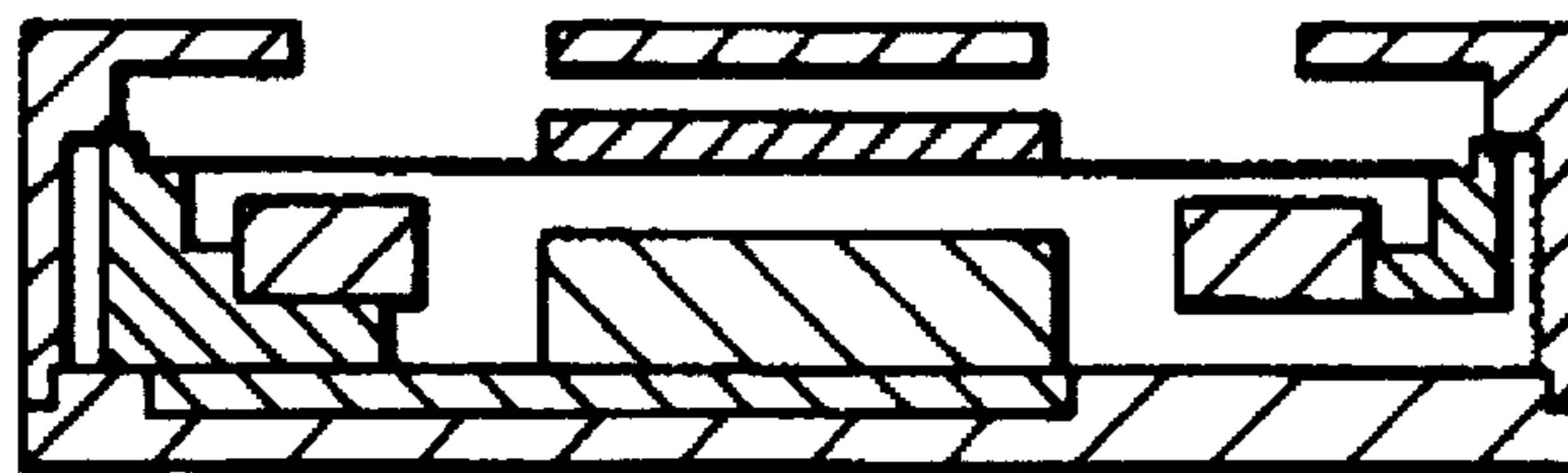


FIG. 8

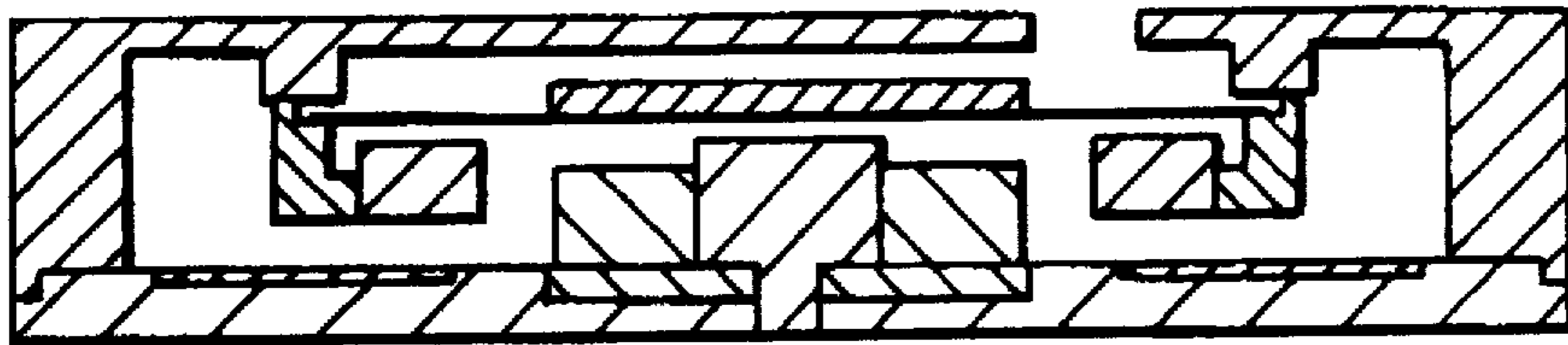


FIG. 9

