



US00D389419S

United States Patent [19]

Beha

[11] Patent Number: **Des. 389,419**

[45] Date of Patent: ****Jan. 20, 1998**

[54] **VOLTAGE TESTER**

5,448,162 9/1995 Beha 324/72.5
5,612,616 3/1997 Earle 324/72.5

[75] Inventor: **Christian Beha**, Glottertal, Germany

Primary Examiner—Antoine Duval Davis
Attorney, Agent, or Firm—Nath & Associates

[73] Assignee: **CH. Beha GmbH Technische Neuentwicklungen**, Germany

[57] **CLAIM**

[**] Term: **14 Years**

The ornamental design for a voltage tester, as shown and described.

[21] Appl. No.: **64,077**

DESCRIPTION

[22] Filed: **Nov. 12, 1996**

[51] **LOC (6) Cl.** **10-04**

FIG. 1 is a perspective view of a voltage tester showing my new design;

[52] **U.S. Cl.** **D10/78**

FIG. 2 is a side view of the voltage tester shown in FIG. 1;

[58] **Field of Search** D10/78; 235/385; 324/72.5, 539, 500; 340/653, 660

FIG. 3 is an opposite side view of the voltage tester shown in FIG. 1;

[56] **References Cited**

FIG. 4 is a top view of the voltage tester shown in FIG. 1;

U.S. PATENT DOCUMENTS

FIG. 5 is a bottom view of the voltage tester shown in FIG. 1;

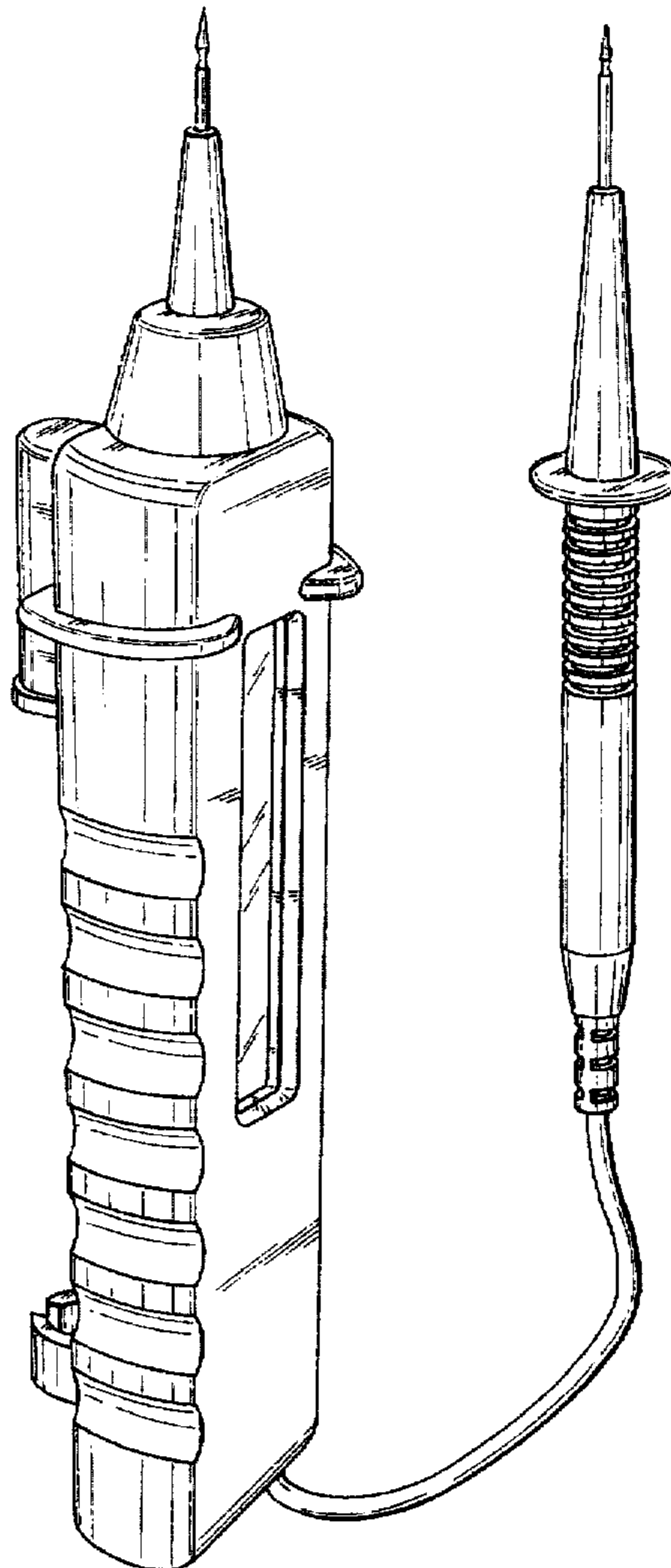
D. 288,179	2/1987	Sekido	D10/78
D. 289,617	5/1987	Yajima	D10/78
D. 349,860	8/1994	Omuro et al.	D10/78
D. 367,431	2/1996	Omuro et al.	D10/78
4,298,837	11/1981	Kostar	324/72.5

FIG. 6 is a front view of the voltage tester shown in FIG. 1;

and,

FIG. 7 is an end view of the voltage tester shown in FIG. 1.

1 Claim, 5 Drawing Sheets



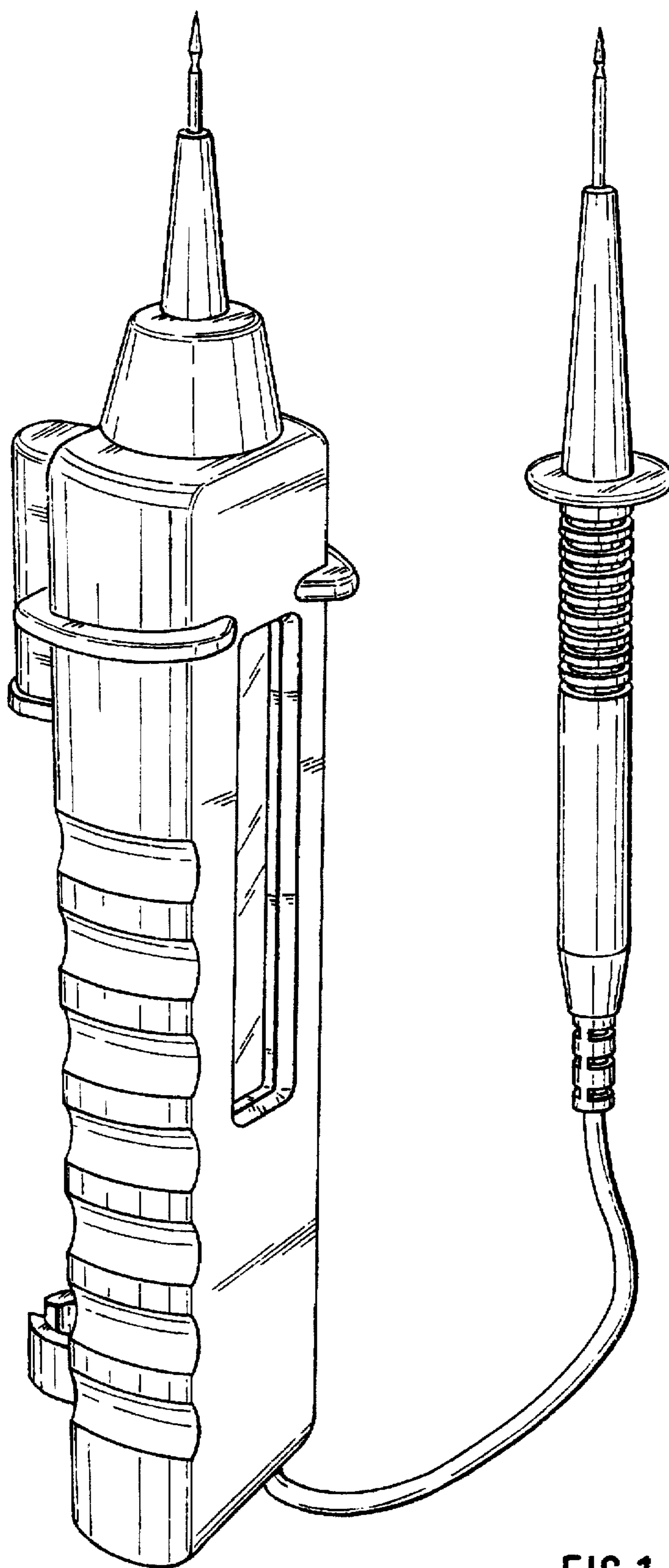


FIG.1

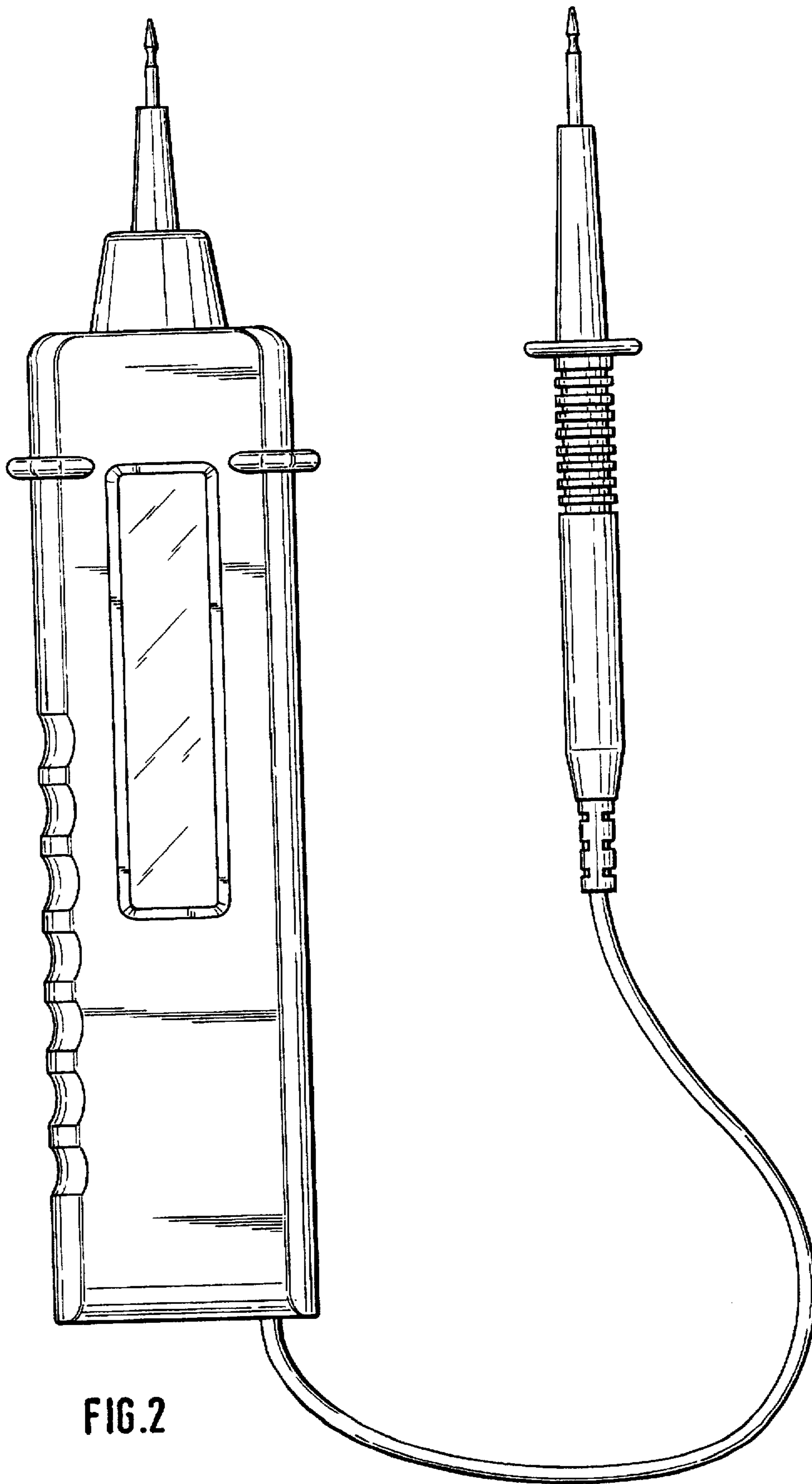


FIG. 2

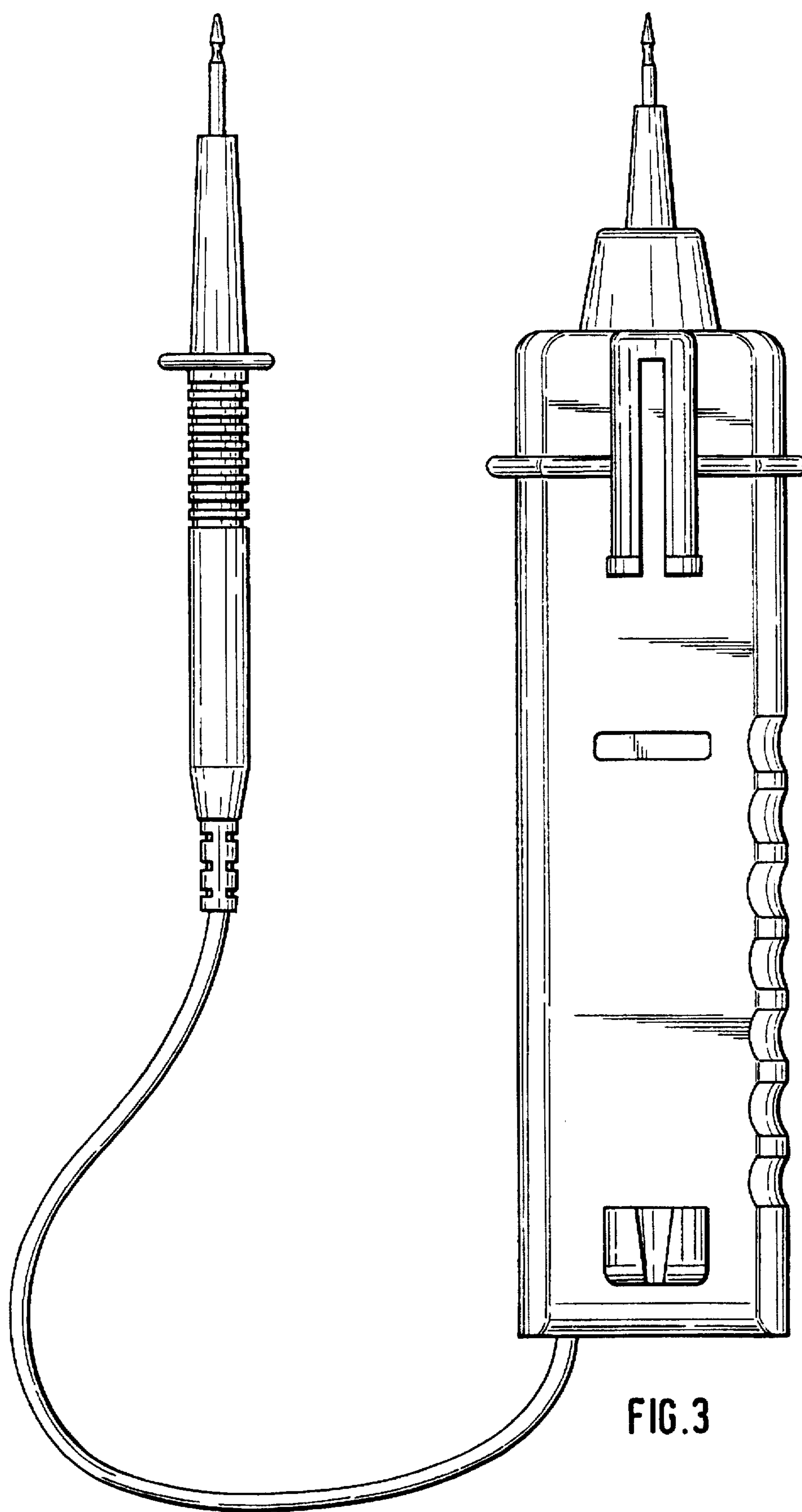


FIG. 3

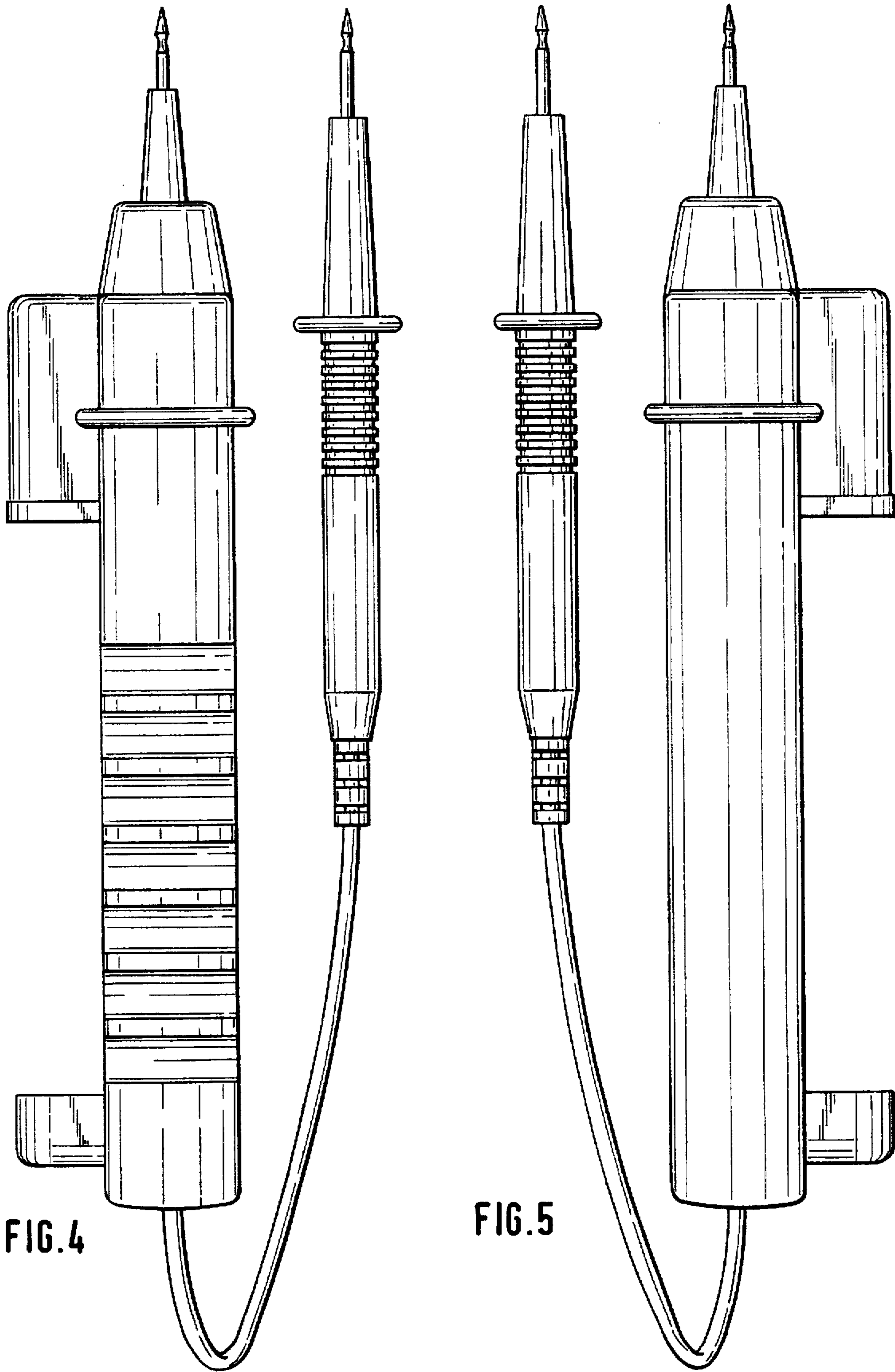


FIG. 4

FIG. 5

