



US00D389418S

United States Patent [19]

Takayama et al.

[11] Patent Number: **Des. 389,418**

[45] Date of Patent: ****Jan. 20, 1998**

[54] **ELECTRONIC MEASUREMENT DEVICE**

D. 375,464 11/1996 Hoshino D10/66
4,752,126 6/1988 Fujii 356/140

[75] Inventors: **Homu Takayama; Kenji Kaneko; Masayuki Ueno**, all of Tokyo, Japan

Primary Examiner—Antoine Duval Davis
Attorney, Agent, or Firm—Greenblum & Bernstein, P.L.C.

[73] Assignee: **Asahi Seimitsu Kabushiki Kaisha**, Tokyo, Japan

[57] CLAIM

[**] Term: **14 Years**

The design of an electronic measurement device, as shown and described.

[21] Appl. No.: **64,664**

[22] Filed: **Jan. 8, 1997**

[30] Foreign Application Priority Data

Jul. 10, 1996 [JP] Japan 8-20580

[51] LOC (6) Cl. **10-04**

[52] U.S. Cl. **D10/66**

[58] Field of Search D10/66; 33/290-299;
356/138-155

DESCRIPTION

FIG. 1 is a perspective view of the electronic measurement device;

FIG. 2 is a front elevational view thereof;

FIG. 3 is rear elevational view thereof;

FIG. 4 is right side elevational view thereof;

FIG. 5 is left side elevational view thereof;

FIG. 6 is a top plan view thereof; and,

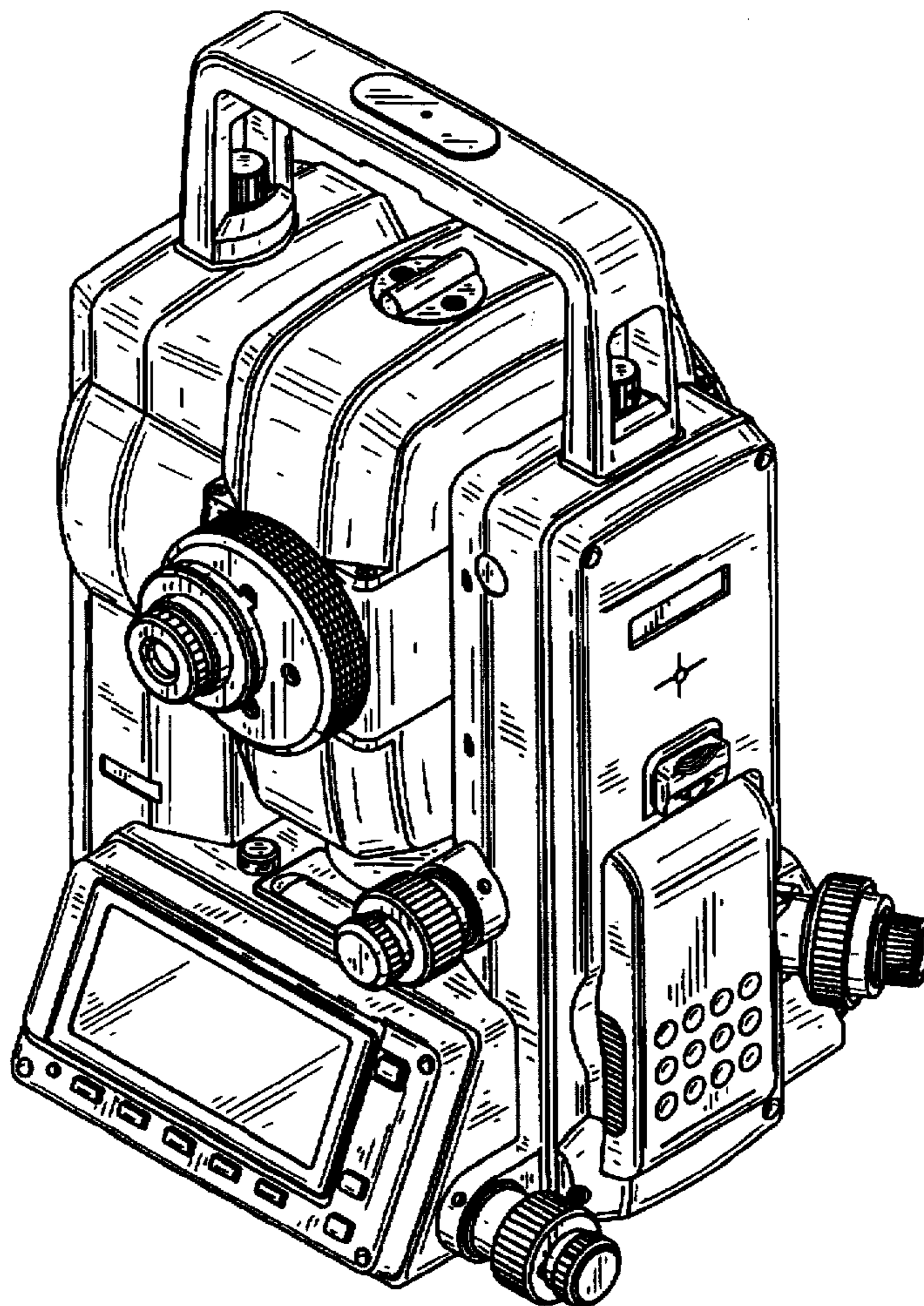
FIG. 7 is a bottom plan view thereof.

[56] References Cited

U.S. PATENT DOCUMENTS

D. 367,233 2/1996 Hoshino D10/66

1 Claim, 6 Drawing Sheets



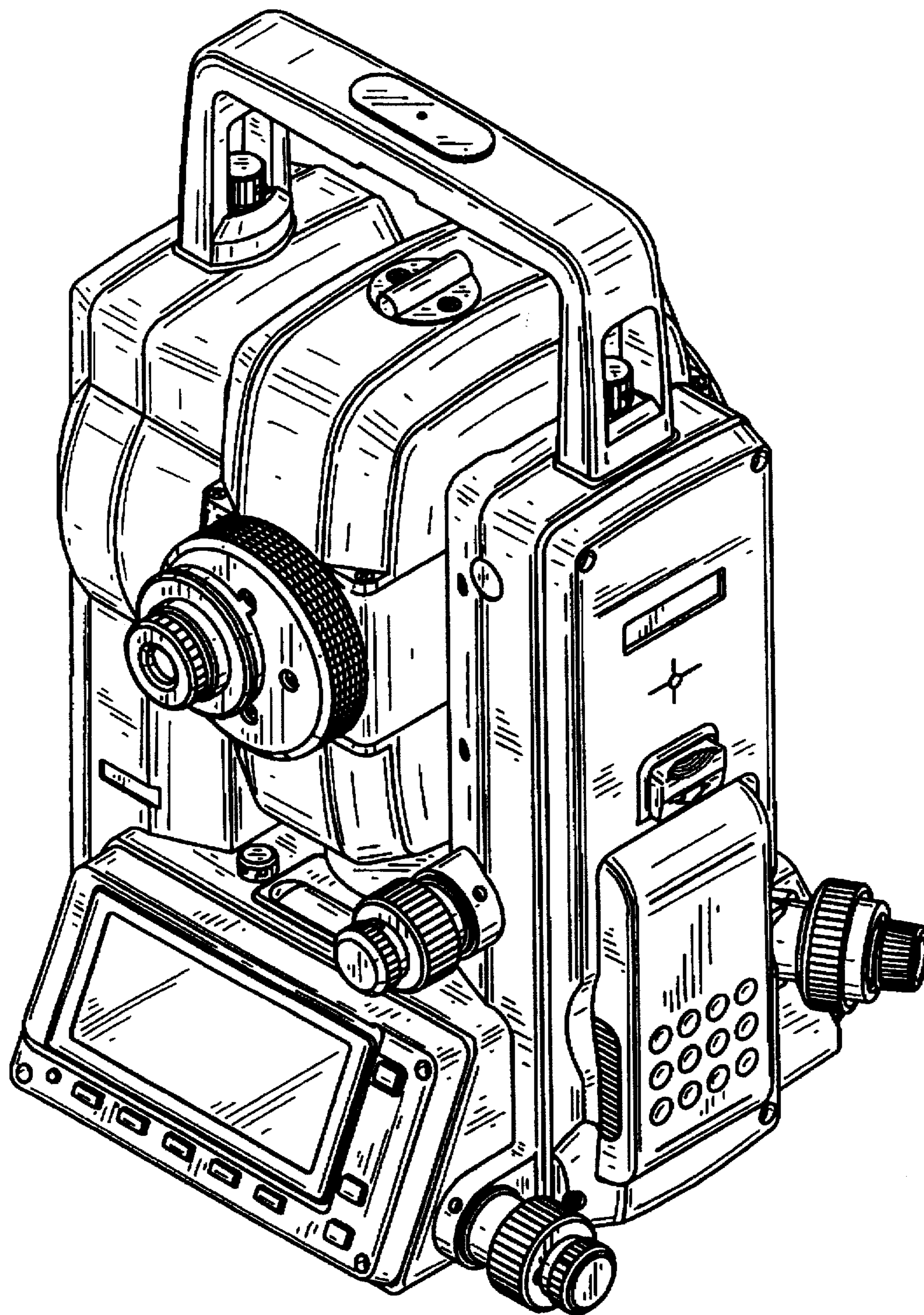


FIG. 1

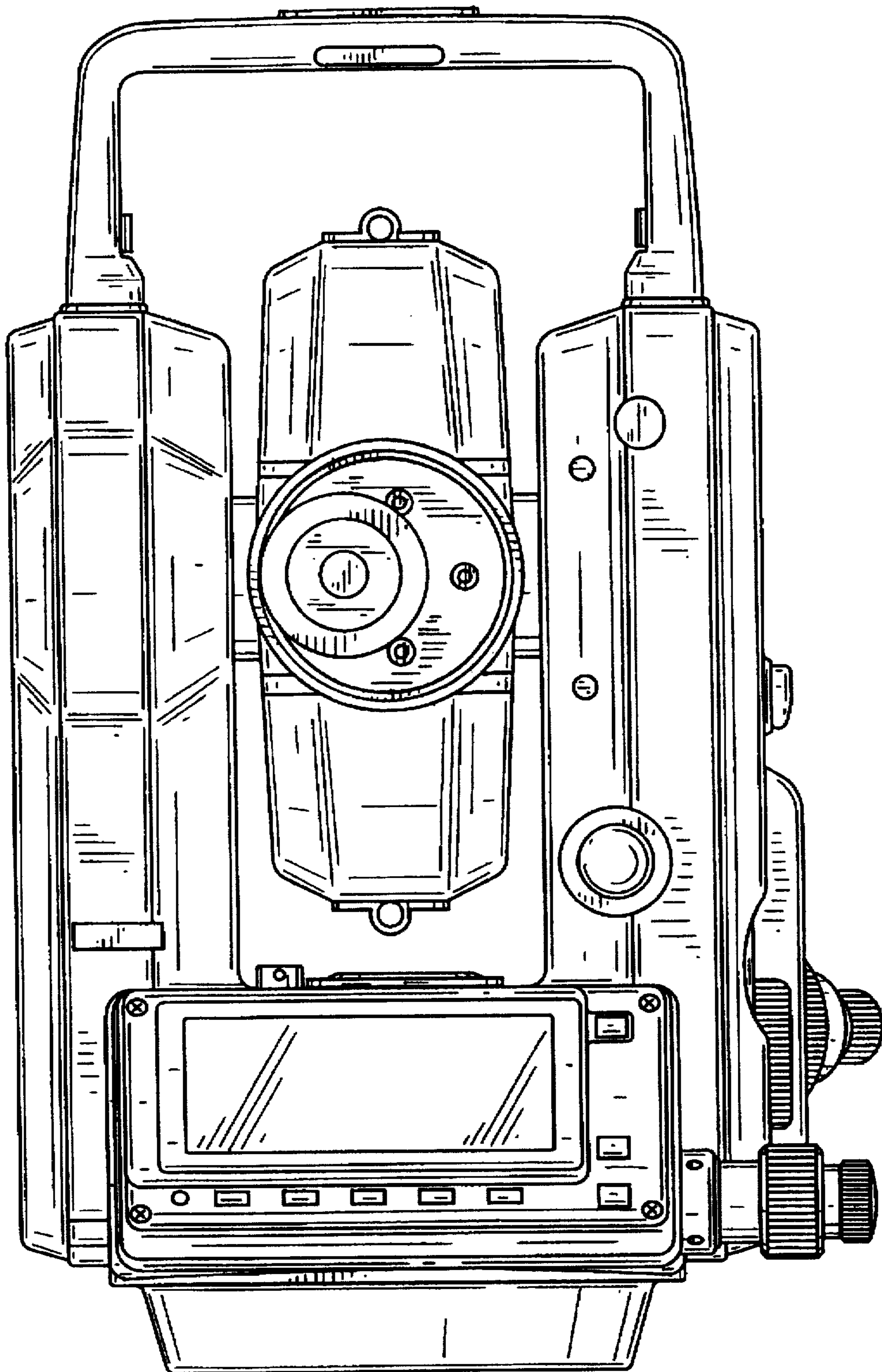


FIG. 2

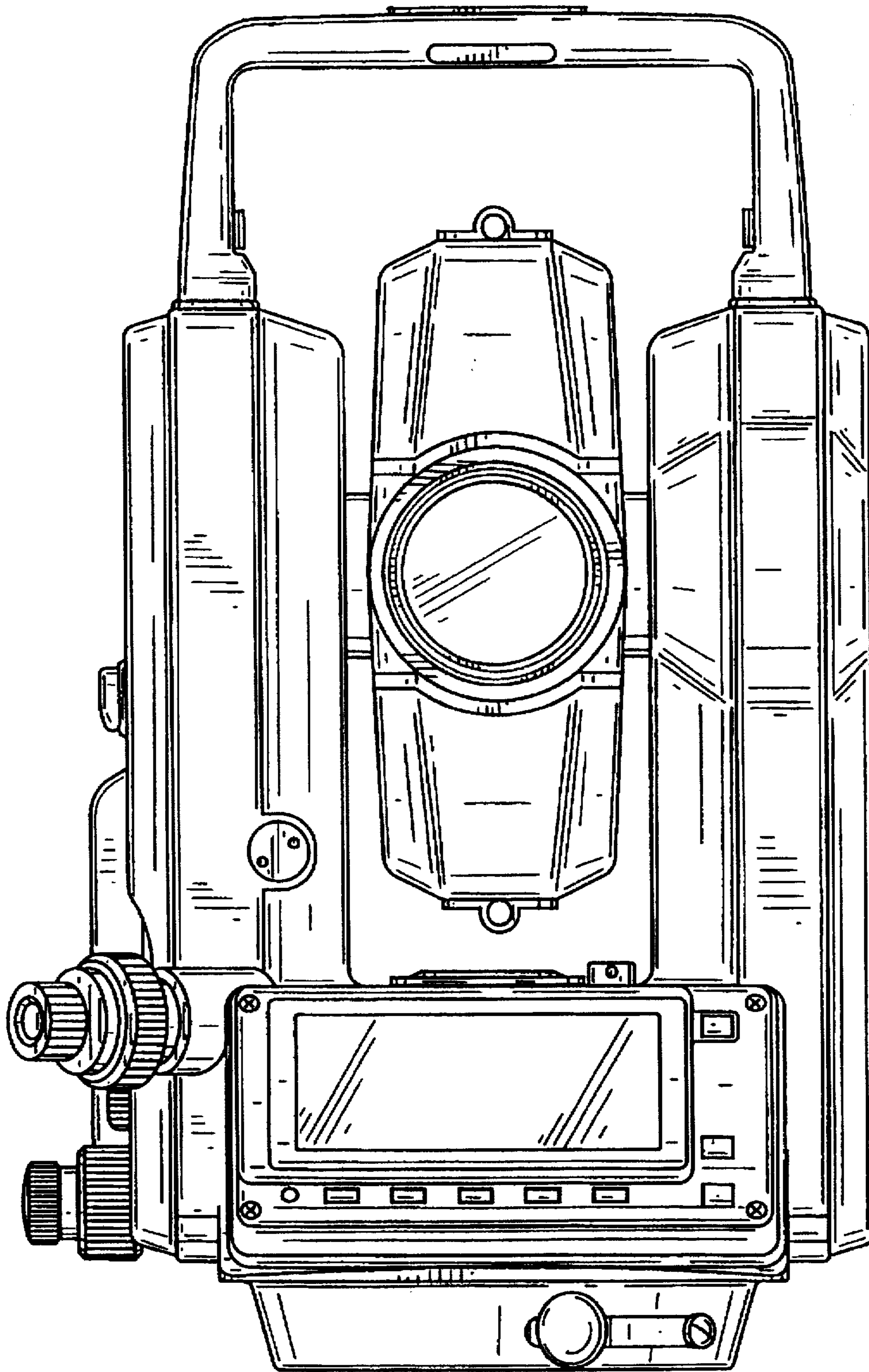


FIG. 3

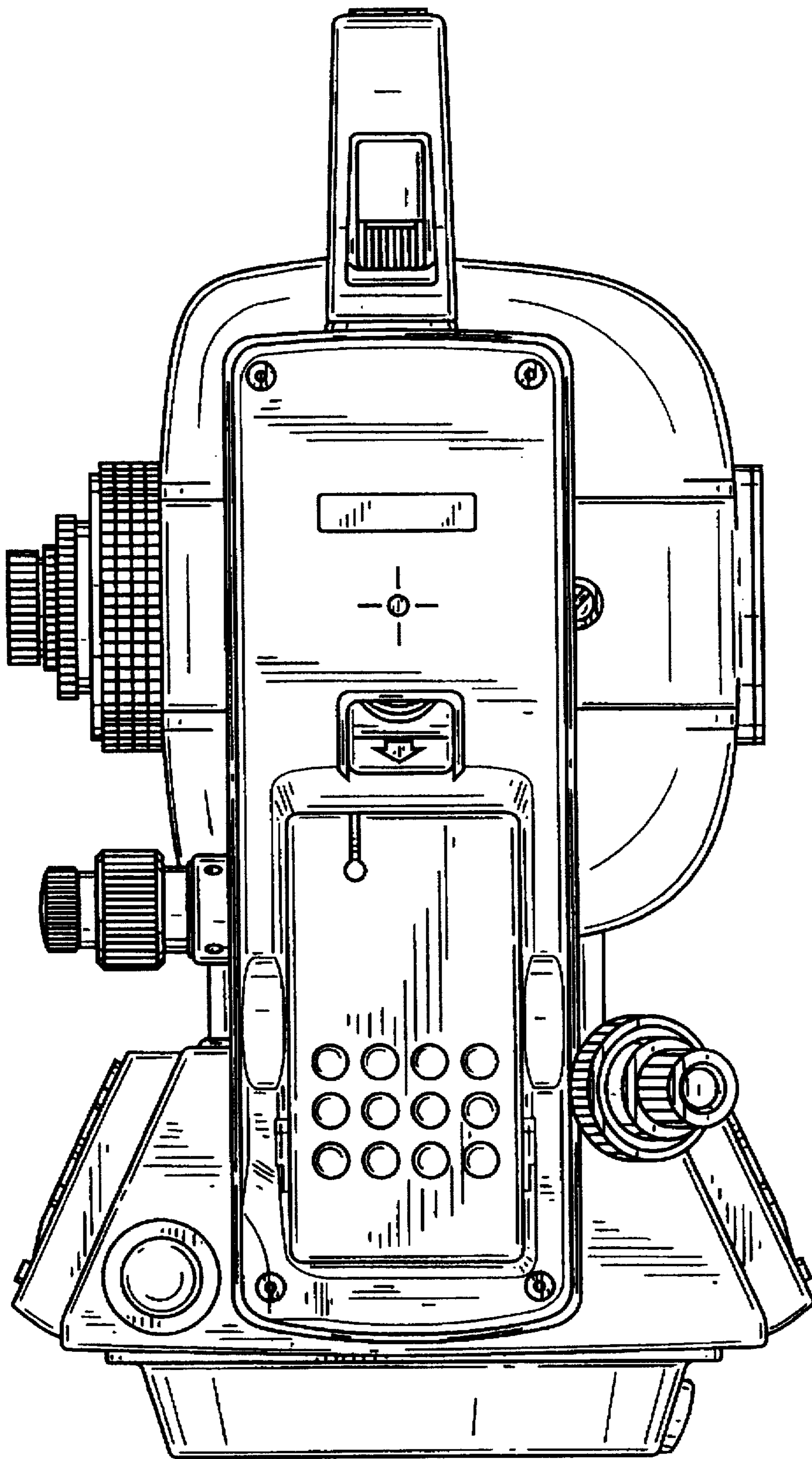


FIG. 4

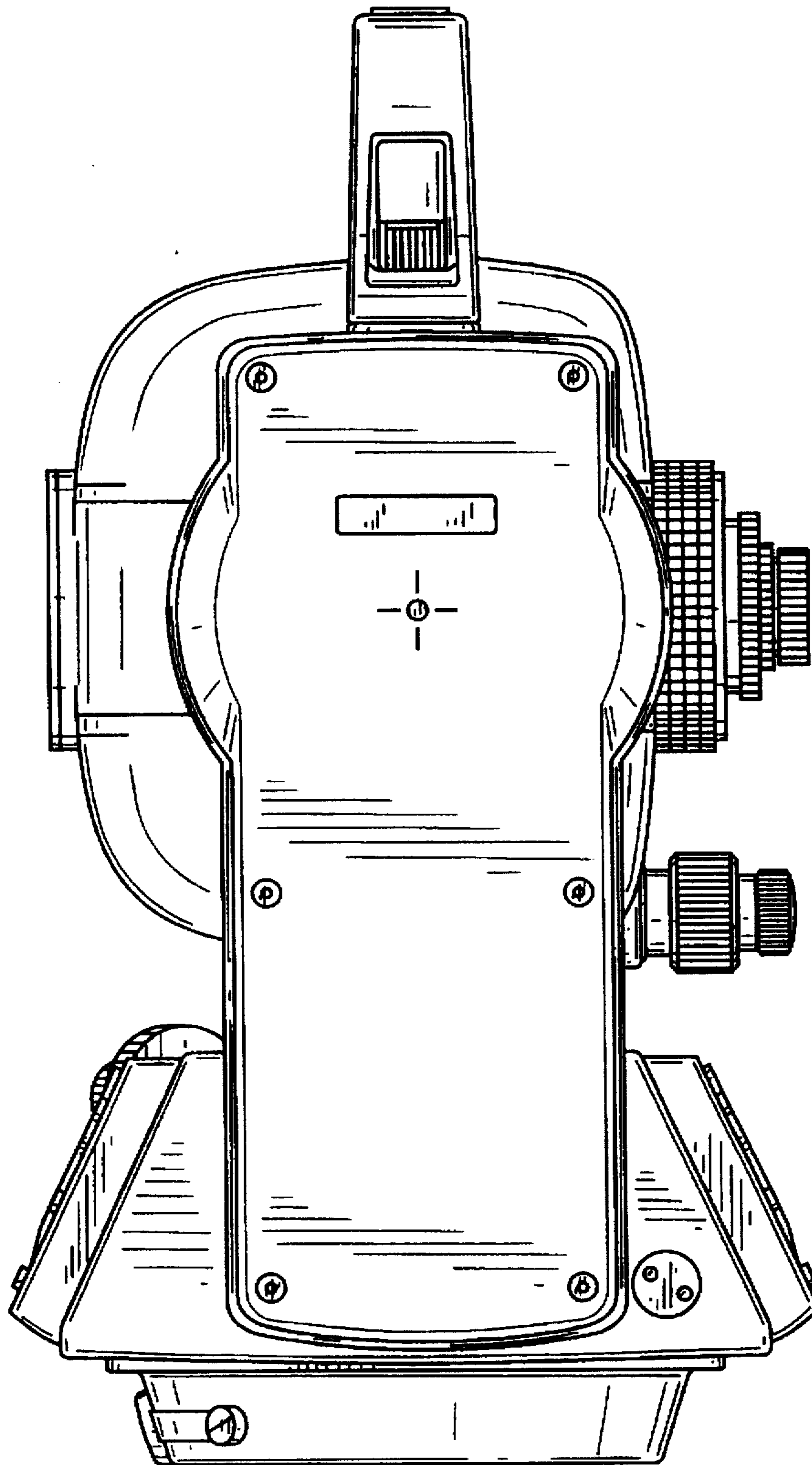


FIG. 5

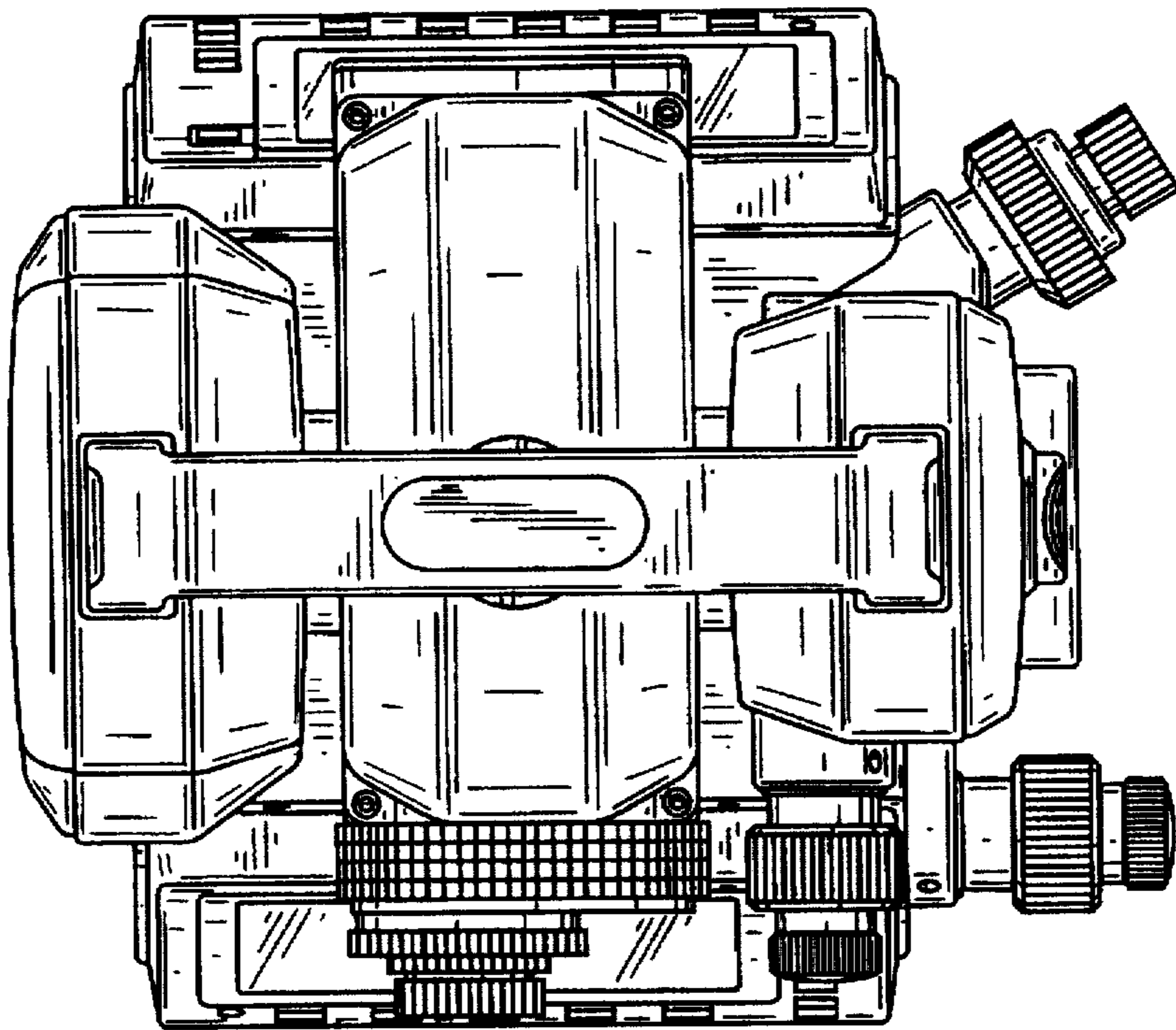


FIG. 6

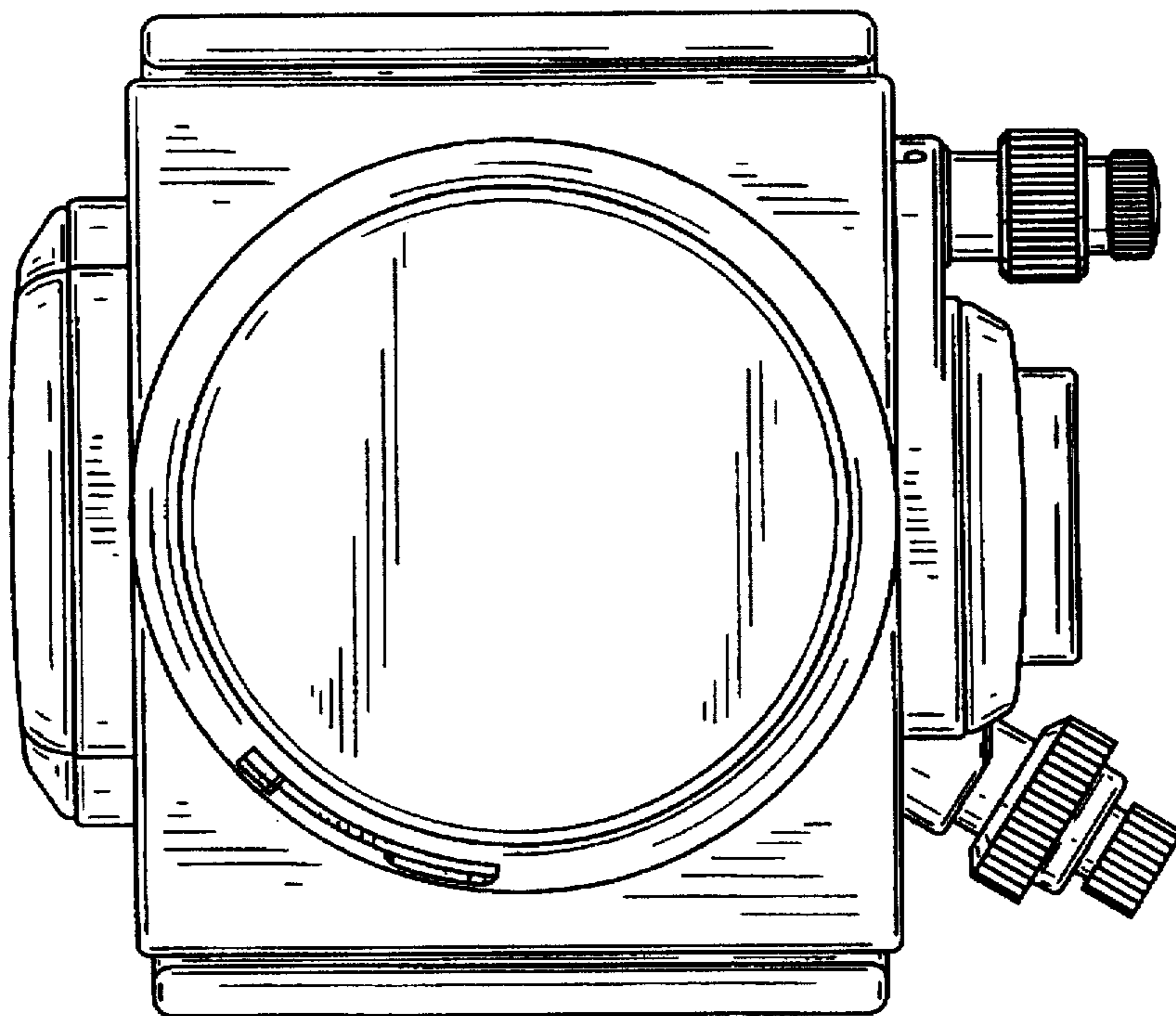


FIG. 7