



US00D389414S

United States Patent [19]
Kotoucek

[11] **Patent Number: Des. 389,414**
[45] **Date of Patent: **Jan. 20, 1998**

[54] **FLUID DISPENSING CONTAINER WITH FINGER GROOVES**

2,140,231 12/1938 Jefferis 215/395 X
2,865,384 12/1958 Noon 215/384 X

[75] Inventor: **Randolf C. Kotoucek**, St. Louis, Mo.

Primary Examiner—Lucy Lieberman
Attorney, Agent, or Firm—Howell & Haferkamp, L.C.

[73] Assignee: **Kranson Industries, Inc.**, St. Louis, Mo.

[57] **CLAIM**

[**] Term: **14 Years**

The ornamental design for a fluid dispensing container with finger grooves as shown and described.

[21] Appl. No.: **65,540**

DESCRIPTION

[22] Filed: **Jan. 28, 1997**

FIG. 1 is a perspective view of a fluid dispensing container with finger grooves constructed in accordance with my new design;

[51] LOC (6) Cl. **09-01**

[52] U.S. Cl. **D9/542; D9/548; D9/573**

FIG. 2 is a front elevation of the fluid dispensing container with finger grooves, the rear elevation is the same;

[58] Field of Search **D9/542, 543, 548, D9/337, 573, 560; 215/382, 383, 384, 374**

FIG. 3 is a side elevation of the fluid dispensing container with finger grooves, the opposite side elevation is the same; FIG. 4 is a top plan view of the fluid dispensing container with finger grooves; and,

[56] **References Cited**

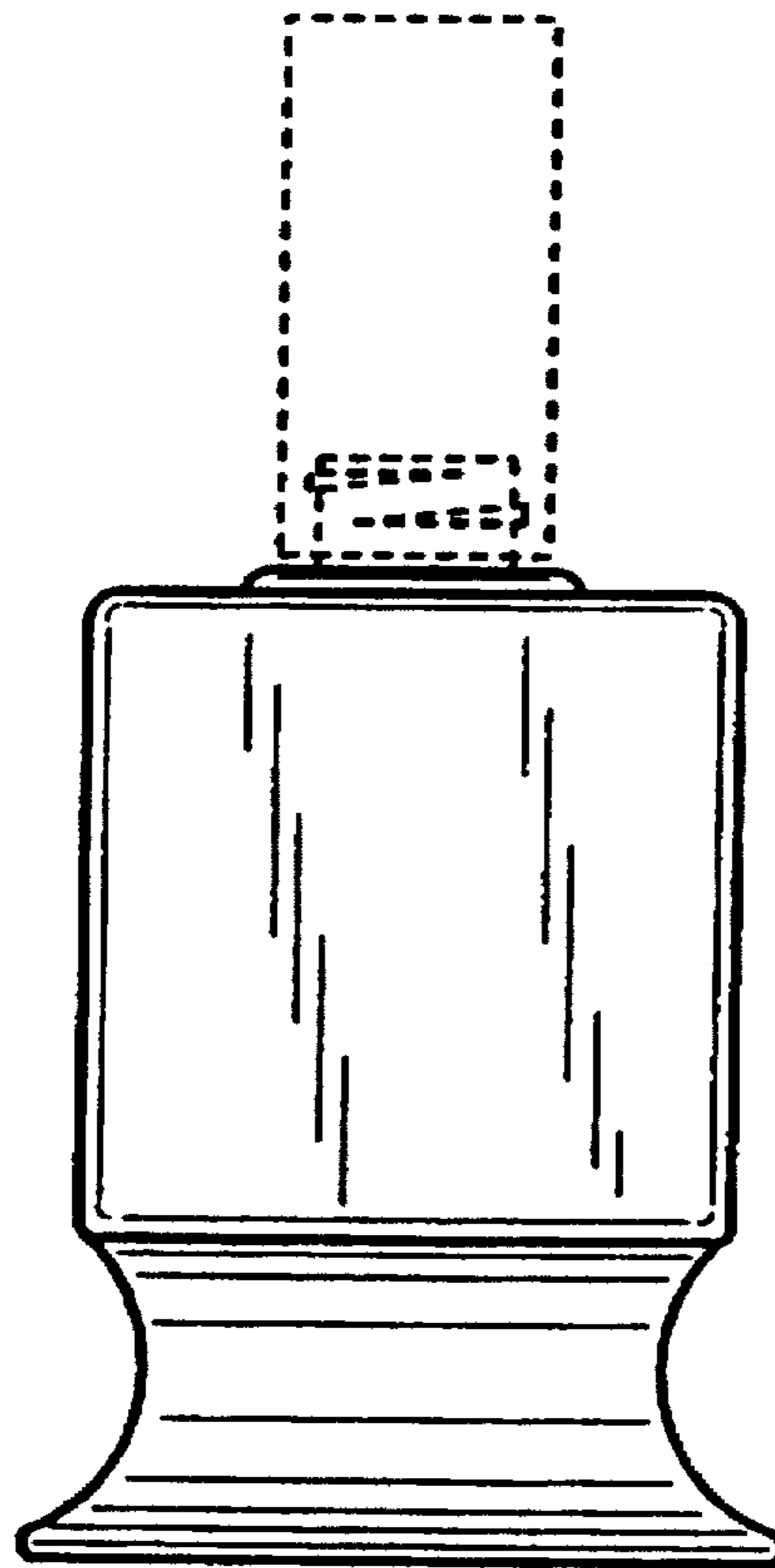
U.S. PATENT DOCUMENTS

- D. 104,649 5/1937 Black D9/573
- D. 158,381 5/1950 Hofler-Louiche D9/548 X
- D. 197,192 12/1963 Lorenzen D9/548 X
- D. 237,360 10/1975 Oliveira D9/542
- D. 346,334 4/1994 Ablsvik D9/573 X

FIG. 5 is a bottom plan view of the fluid dispensing container with finger grooves.

The broken lines in the drawings are for illustrative purposes only and do not form part of the claimed design.

1 Claim, 1 Drawing Sheet



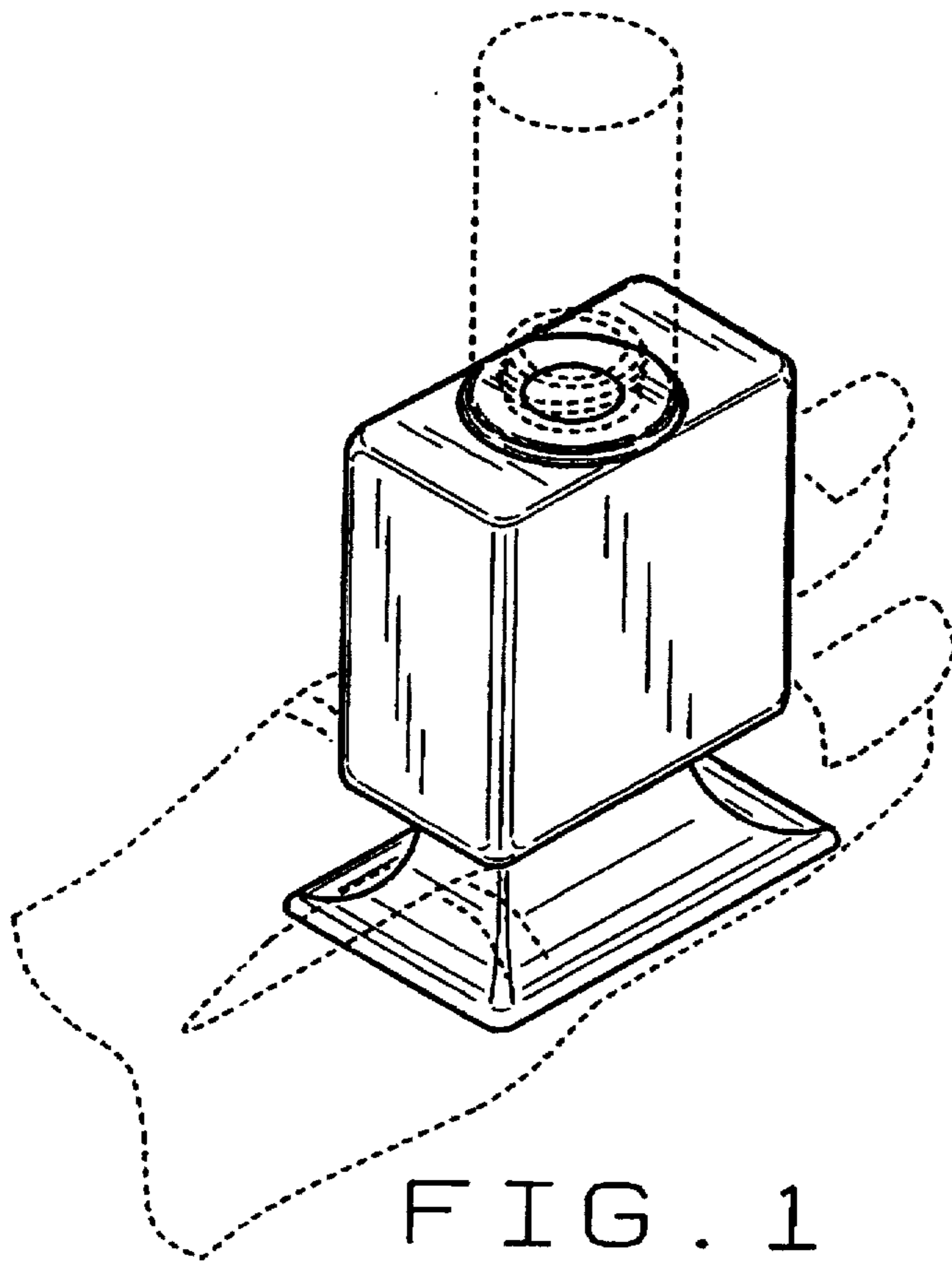


FIG. 1

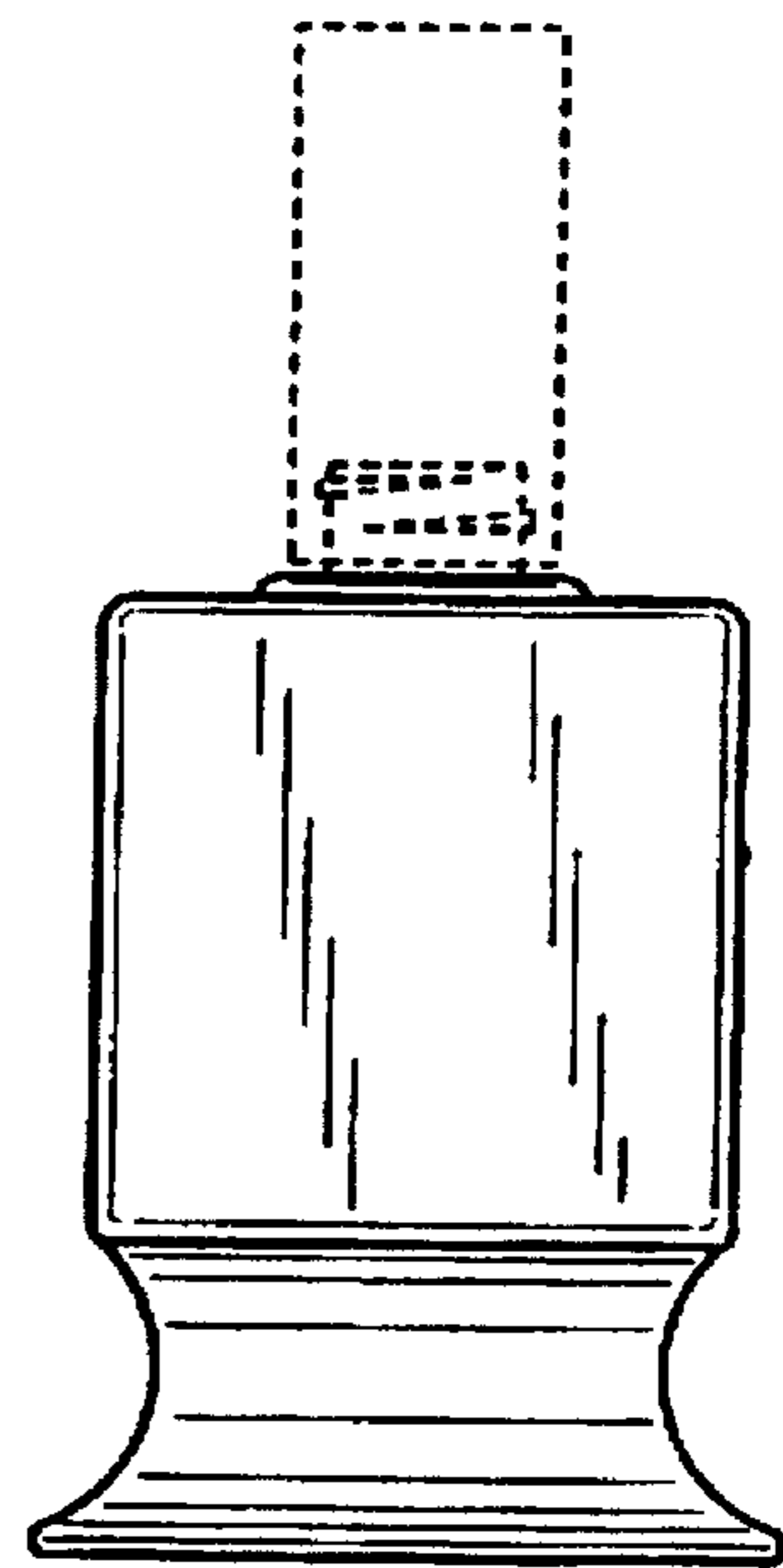


FIG. 2

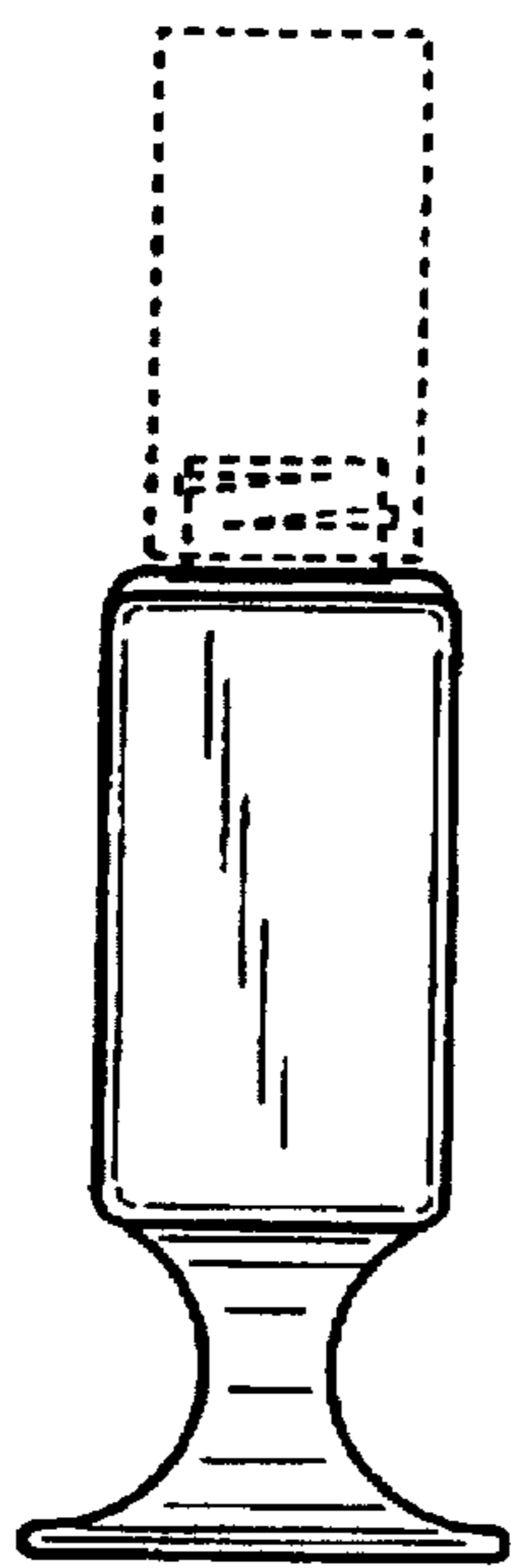


FIG. 3

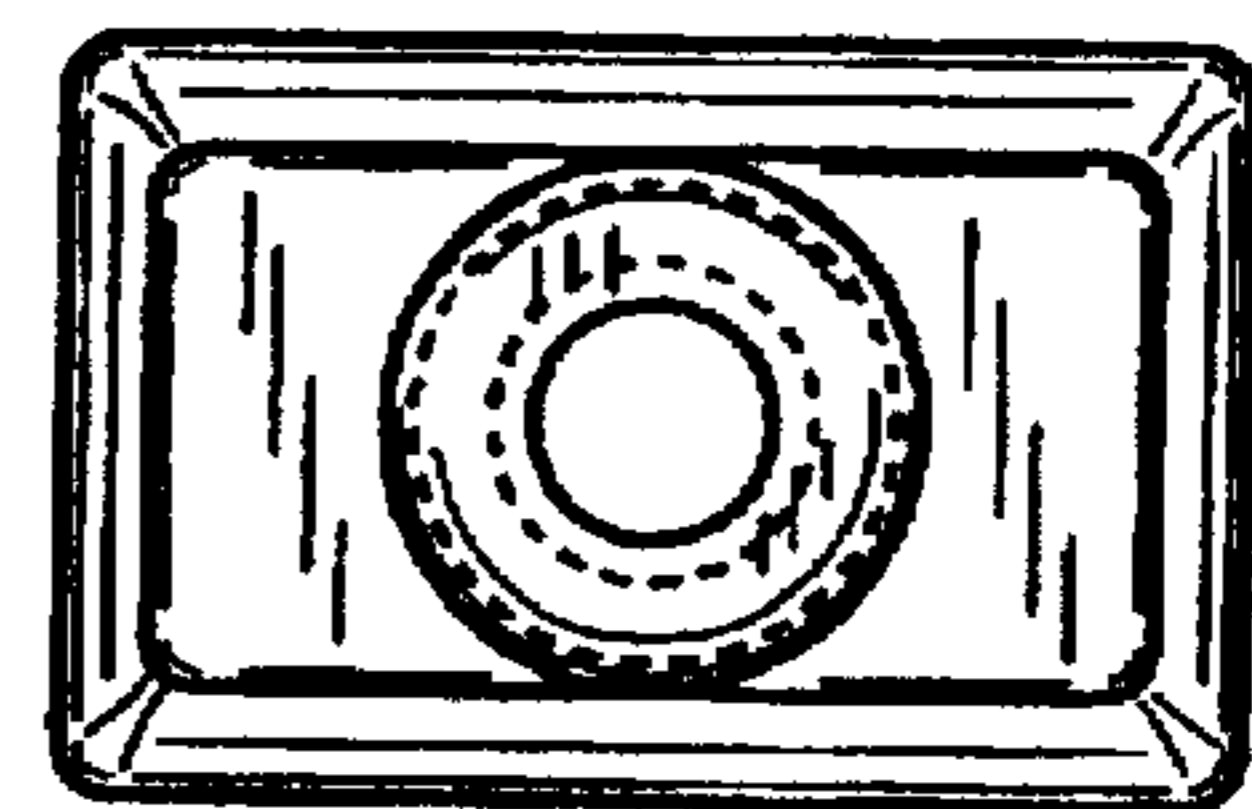


FIG. 4

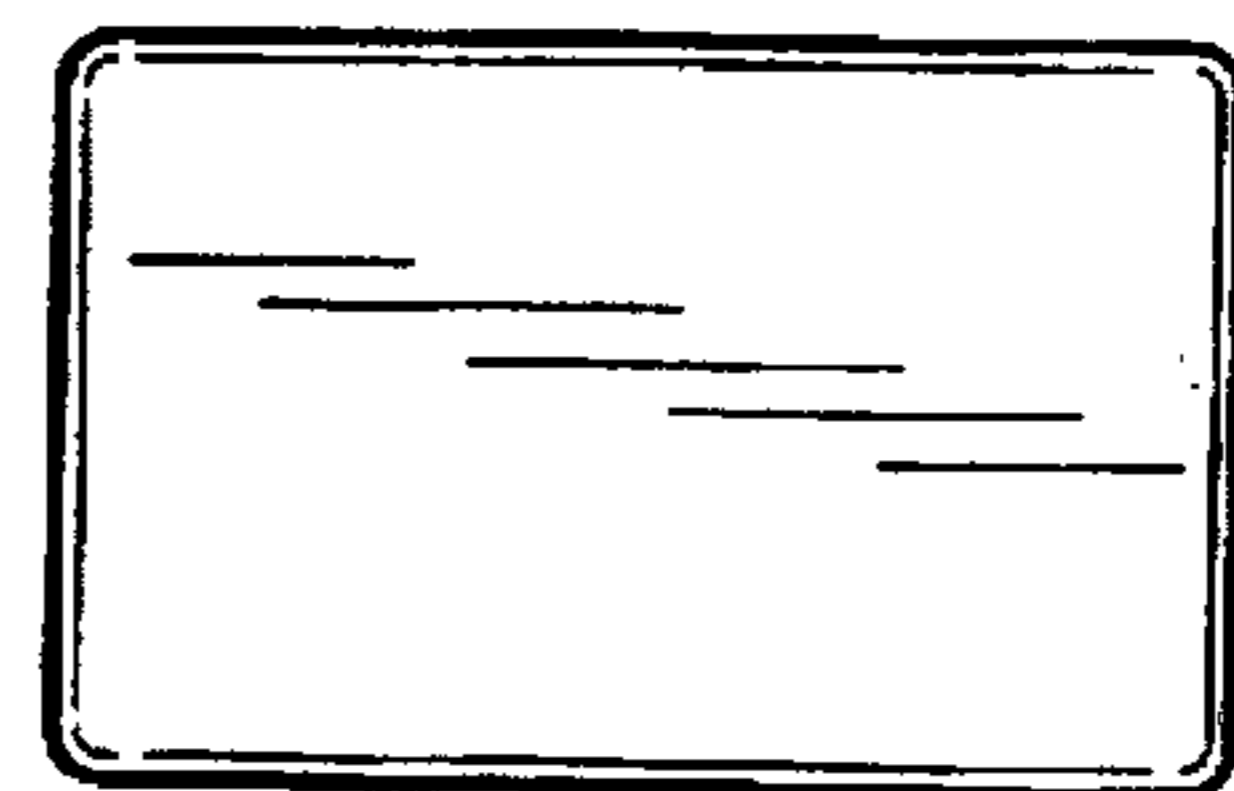


FIG. 5