

US00D389408S

# United States Patent [19]

[11] Patent Number: **Des. 389,408**

Rask et al.

[45] Date of Patent: **\*\*Jan. 20, 1998**

## [54] LID FOR A CONTAINER

[75] Inventors: **Janne Hvilsted-Carlsen Rask**,  
Bredsten; **Søren Xerxes Frahm**, Århus  
C, both of Denmark

[73] Assignee: **INTERLEGO AG**, Baar, Switzerland

[\*\*] Term: **14 Years**

[21] Appl. No.: **13,320**

[22] Filed: **Sep. 22, 1993**

[51] LOC (6) Cl. .... **09-07**

[52] U.S. Cl. .... **D9/451; D9/435; D21/108**

[58] Field of Search ..... **D9/434-5, 441,**  
**D9/444, 499; D21/108; 190/1, 10-11; 206/503-4,**  
**508, 518; 211/126; 229/902; 446/128**

## [56] References Cited

### U.S. PATENT DOCUMENTS

D. 279,697	7/1985	Tapdrup .....	D21/108
295,093	4/1884	Tapdrup et al. .	
295,094	4/1884	Tapdrup et al. .	
296,023	5/1884	Tapdrup et al. .	
D. 326,876	6/1992	Rasmussen .....	D21/108
D. 327,185	6/1992	Ryaa .....	D21/108
D. 332,471	1/1993	Rahbek .....	D21/108
D. 344,552	2/1994	Berggren .....	D21/108
D. 345,398	3/1994	Plagborg .....	D21/108
2,784,901	3/1957	Wilcox .....	229/902
3,005,282	10/1961	Christiansen .....	446/128
4,744,780	5/1988	Volpe .....	446/128

### FOREIGN PATENT DOCUMENTS

1117396 8/1989 Japan .

## OTHER PUBLICATIONS

Tyco Preschool Super Blocks ad, Tyco Toy Catalog, 1987, p. 21.

Tyco Road Builder ad, Tyco Toy Catalog, 1987, p. 33.

Industrial Design Registration No. 59668 for a "Bucket" which was registered on Nov. 17, 1987.

*Primary Examiner*—James Gandy

*Assistant Examiner*—Robert M. Spear

*Attorney, Agent, or Firm*—Kane, Dalsimer, Sullivan, Kurucz, Levy, Eisele and Richard, LLP

## [57] CLAIM

The ornamental design for a lid for a container, as shown and described.

## DESCRIPTION

FIG. 1 is a top perspective view of a lid for a container showing our new design;

FIG. 2 is a bottom perspective view thereof;

FIG. 3 is a right side elevational view thereof;

FIG. 4 is a front elevational view thereof;

FIG. 5 is a left side elevational view thereof;

FIG. 6 is a rear elevational view thereof;

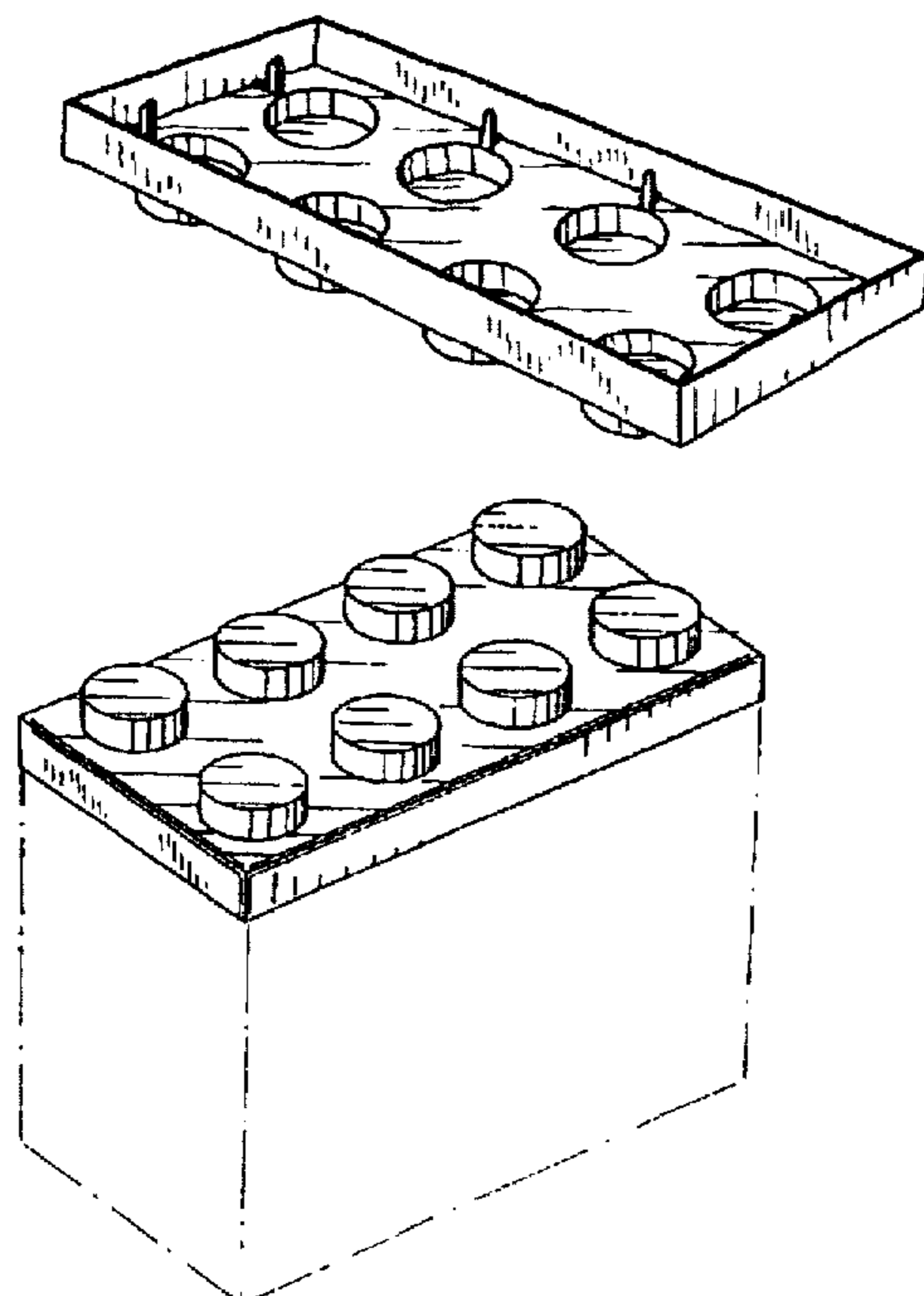
FIG. 7 is a top plan view thereof;

FIG. 8 is a bottom plan view thereof; and,

FIG. 9 shows a perspective view of the lid mounted on a container shown in broken lines.

The broken line showing of a container is for illustrative purposes only and forms no part of the claimed design.

**1 Claim, 2 Drawing Sheets**



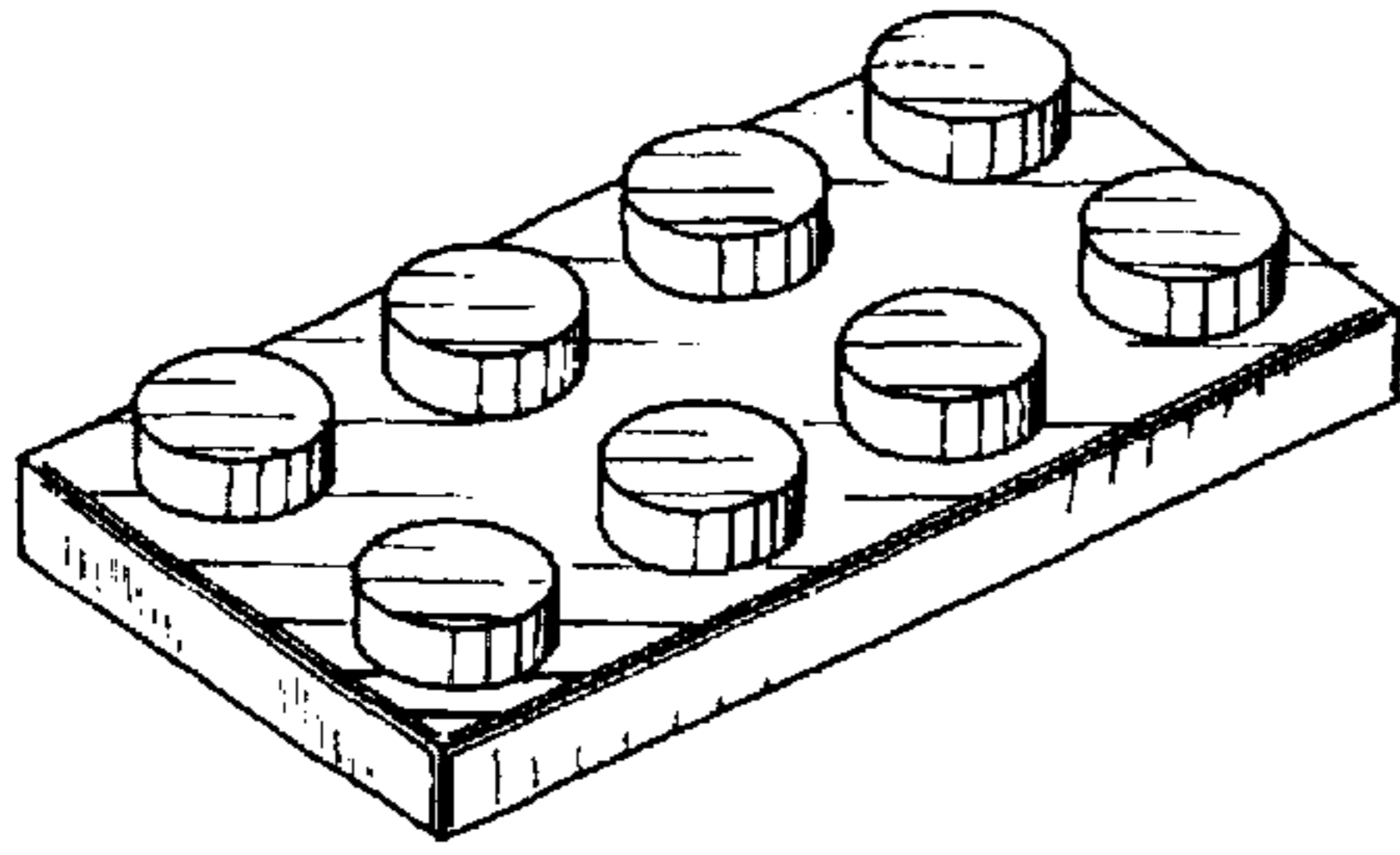


FIG. 1

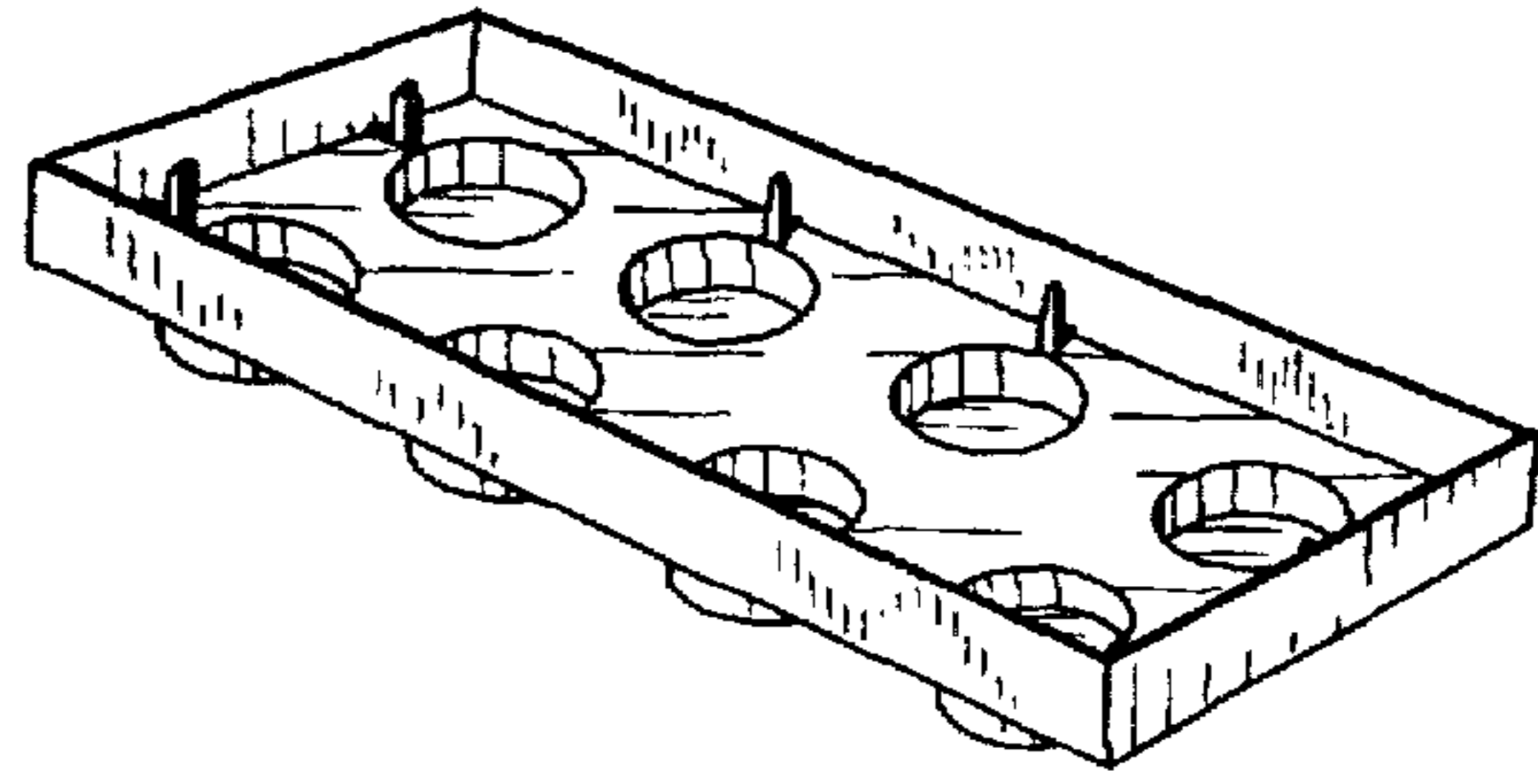


FIG. 2

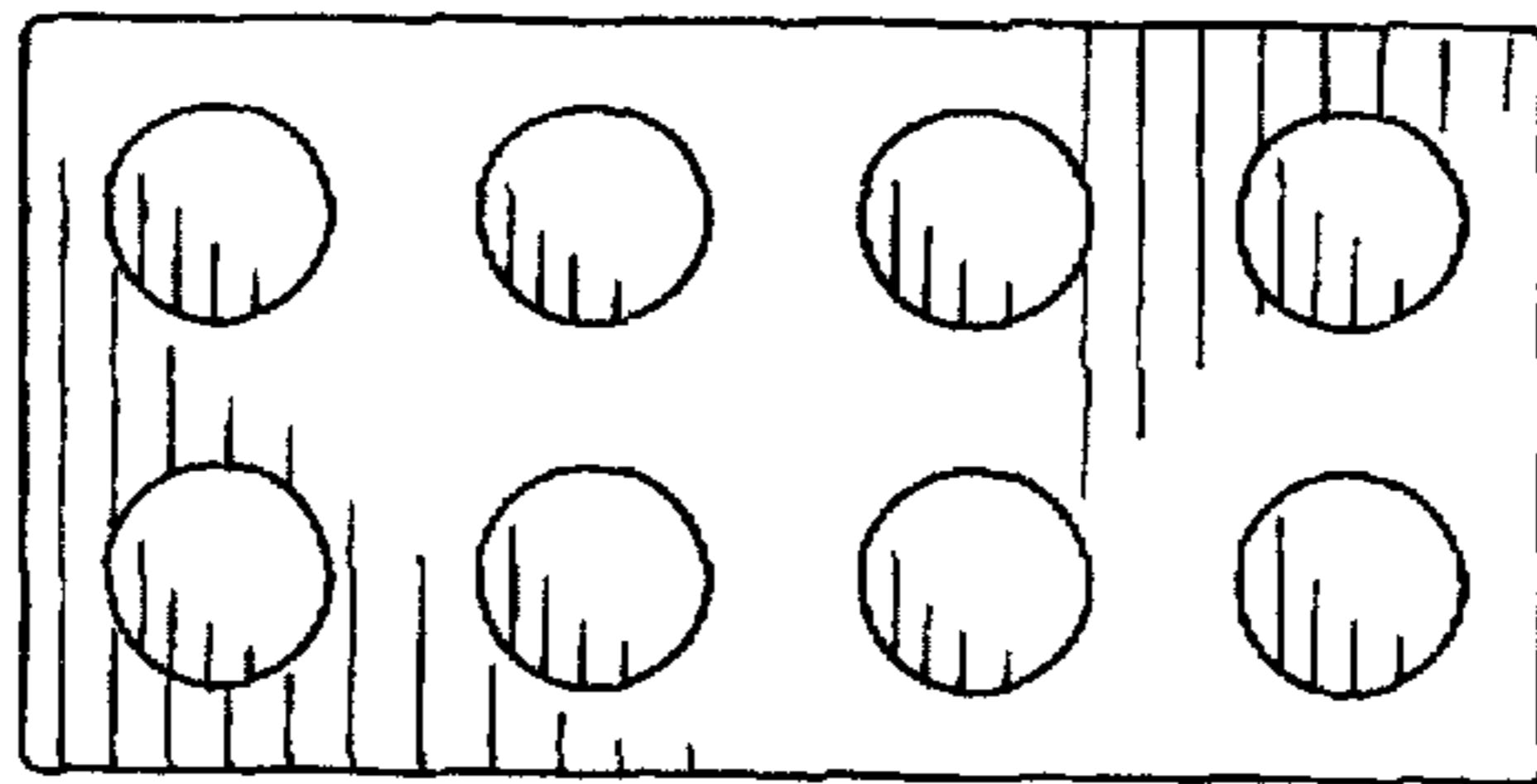


FIG. 7



FIG. 6



FIG. 5



FIG. 4

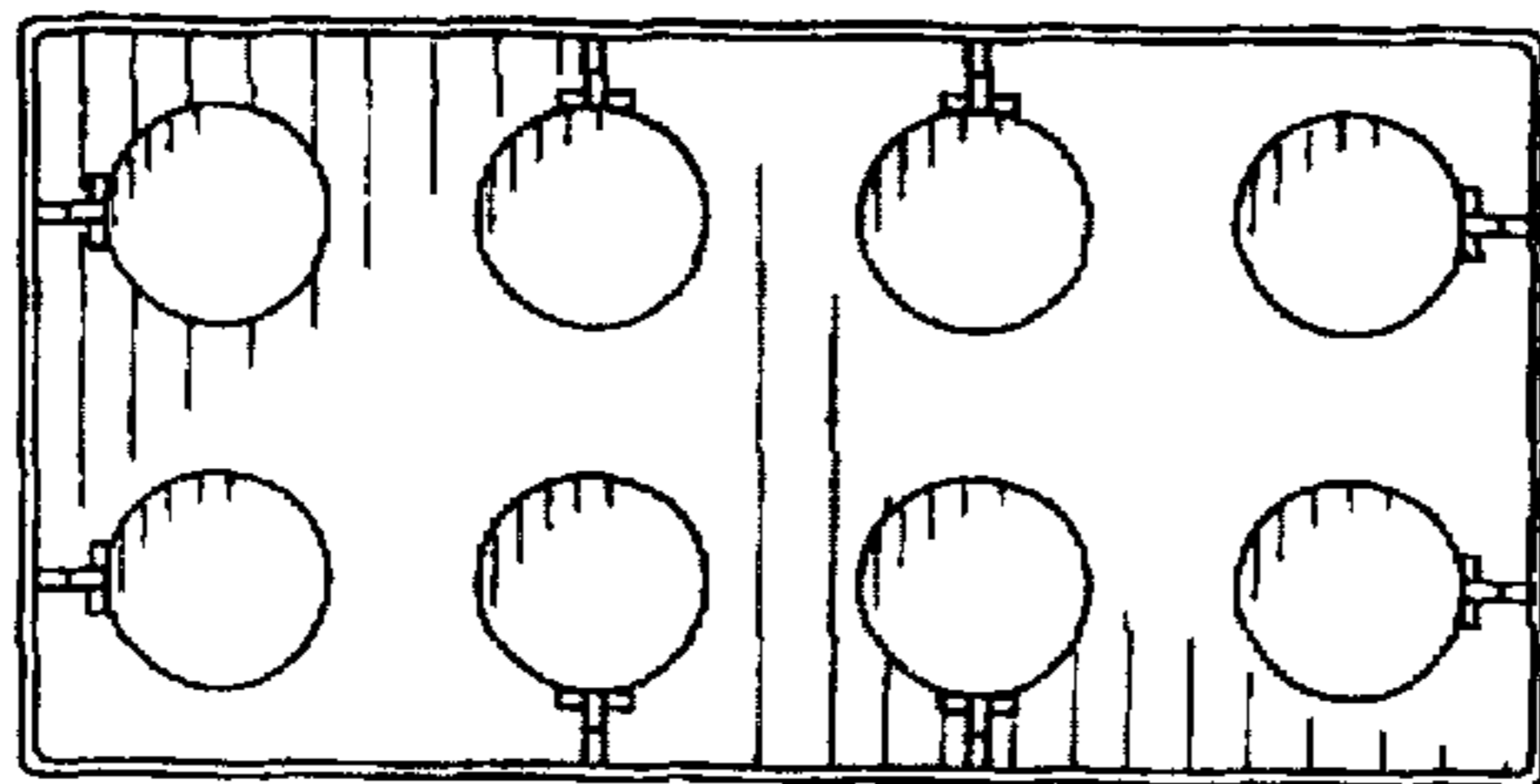
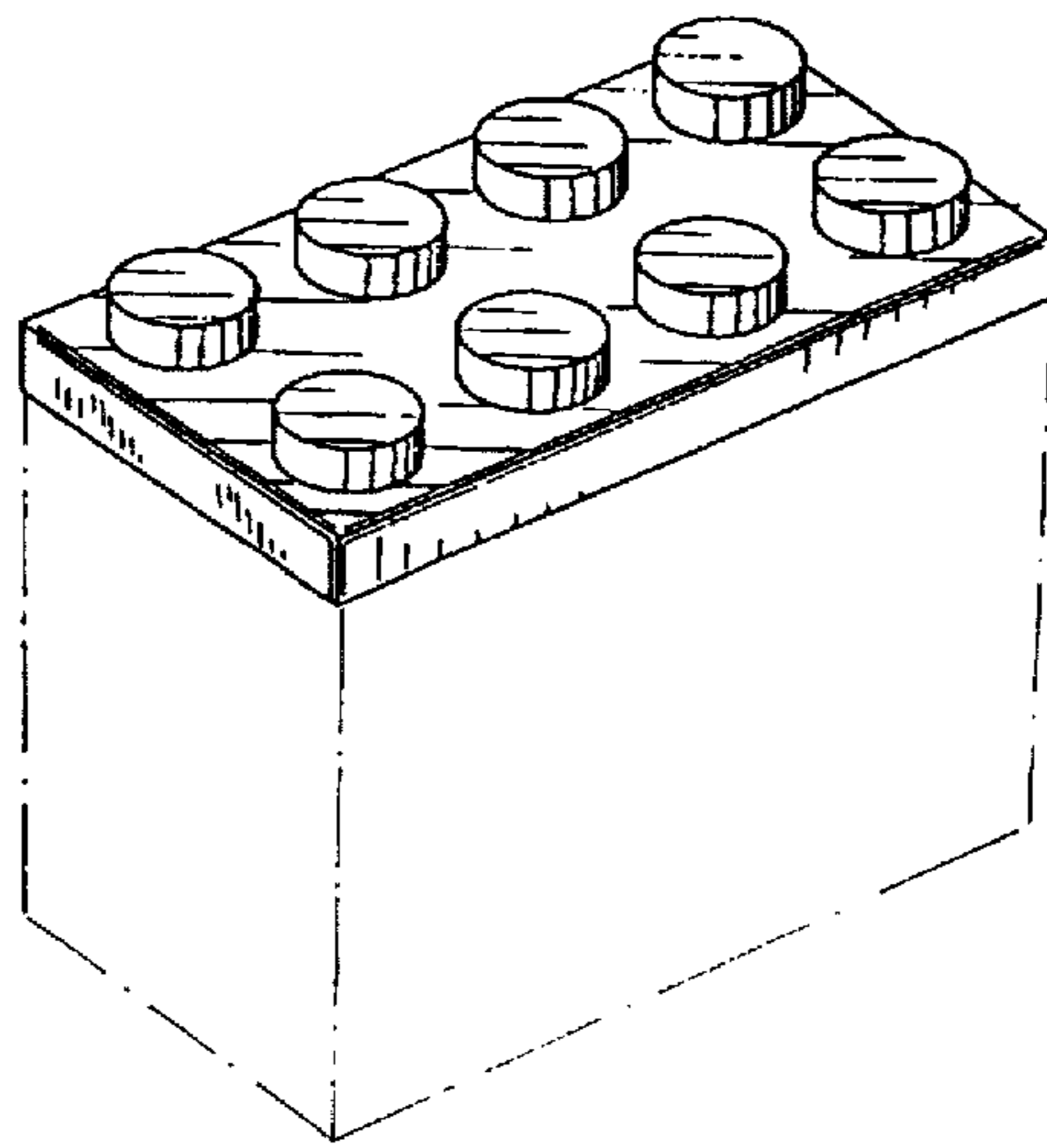


FIG. 8



FIG. 3



*FIG. 9*