



US00D389403S

United States Patent [19]
Rahr

[11] **Patent Number: Des. 389,403**
[45] **Date of Patent: **Jan. 20, 1998**

[54] **CONTAINER**

[75] **Inventor: Michael John Rahr, London, England**

[73] **Assignee: Symbiotic Sampling Ltd., Seven Oaks, United Kingdom**

[**] **Term: 14 Years**

[21] **Appl. No.: 54,675**

[22] **Filed: May 20, 1996**

[30] **Foreign Application Priority Data**

Nov. 20, 1995 [GB] United Kingdom 2052118

[51] **LOC (6) Cl. 09-07**

[52] **U.S. Cl. D9/428**

[58] **Field of Search D9/415, 418, 428, D9/424, 425, 414, 503, 549, 435, 454; D7/550, 601, 602, 610, 629; 220/657, 659, 608, 912, 556; 206/303, 557, 564; 215/224, DIG. 4, DIG. 7, 400**

[56] **References Cited**

U.S. PATENT DOCUMENTS

D. 292,887 11/1987 Schouten D9/424

D. 344,660	3/1994	Krupa	D7/629
1,627,757	5/1927	Von Elm	220/912 X
5,183,179	2/1993	Morris, Sr.	220/608 X
5,487,486	1/1996	Meneso	220/608 X

Primary Examiner—Prabhakar G. Deshmukh
Attorney, Agent, or Firm—Larson & Taylor

[57] **CLAIM**

The ornamental design of a container, as shown and described.

DESCRIPTION

FIG. 1 is a perspective view of a container showing my new design;

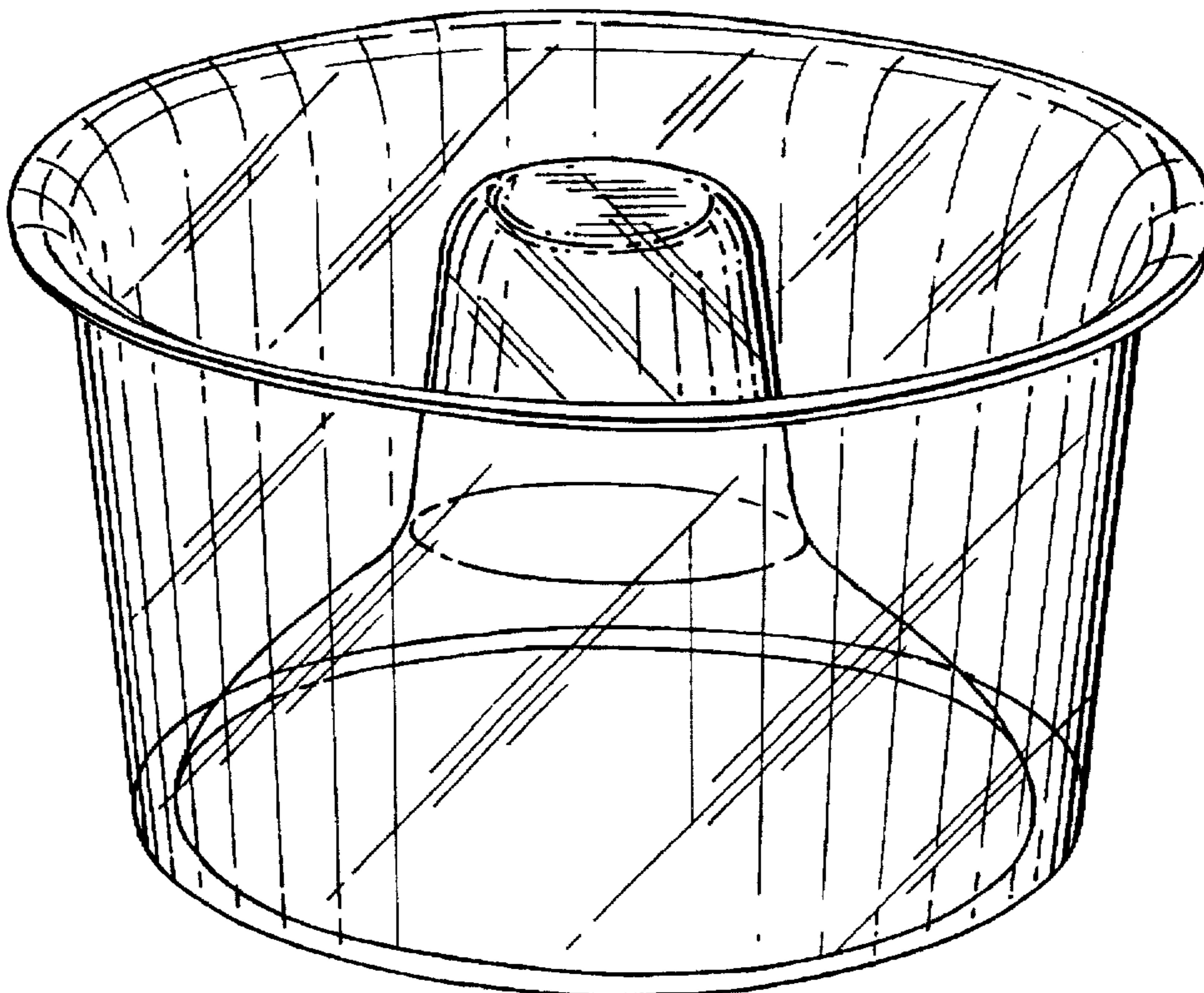
FIG. 2 is a top plan view thereof;

FIG. 3 is a bottom plan view thereof;

FIG. 4 is a typical elevational view thereof; and,

FIG. 5 is a perspective view of a second embodiment of a container with a lid.

1 Claim, 3 Drawing Sheets



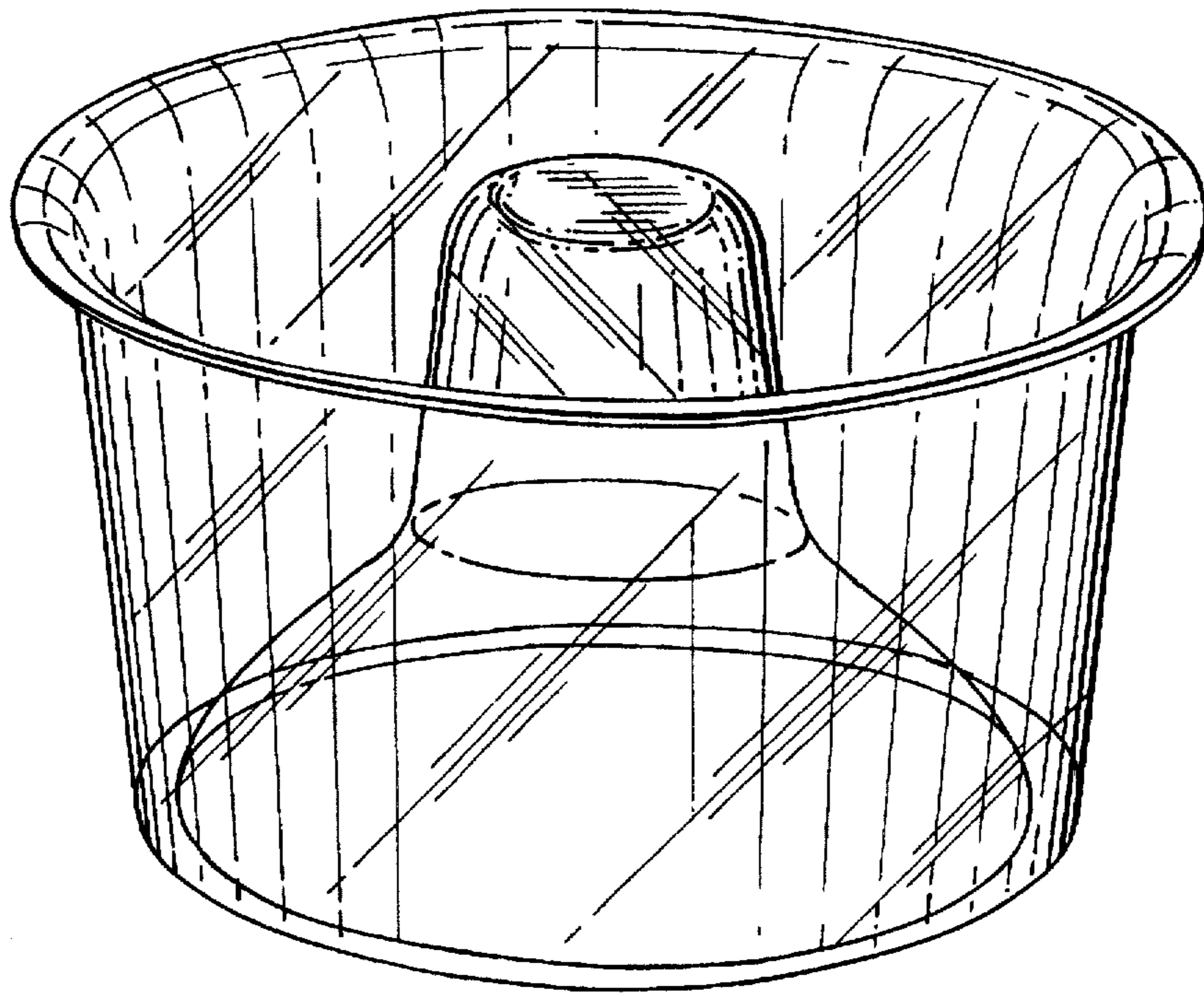


FIG. 1

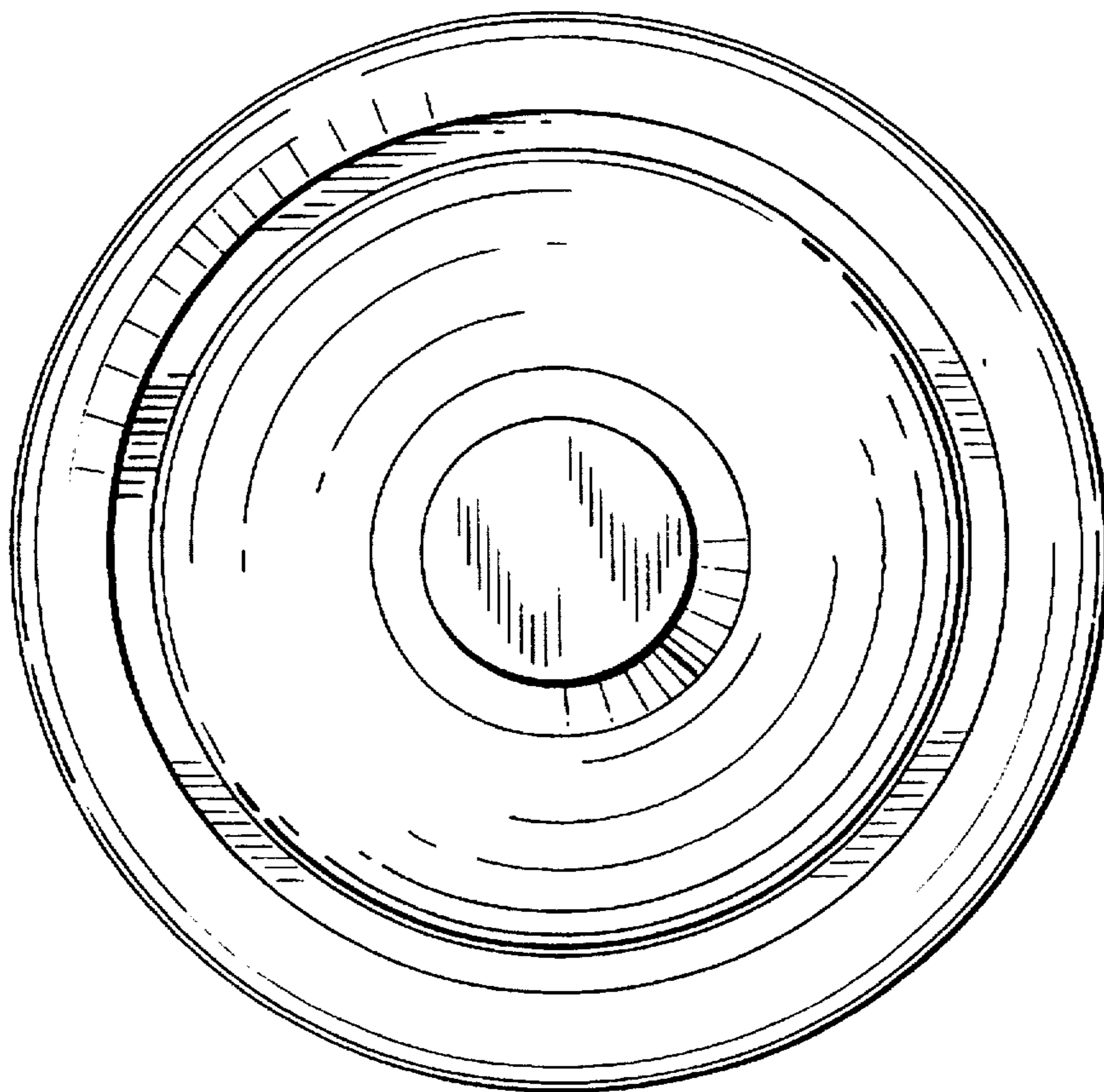


FIG. 2

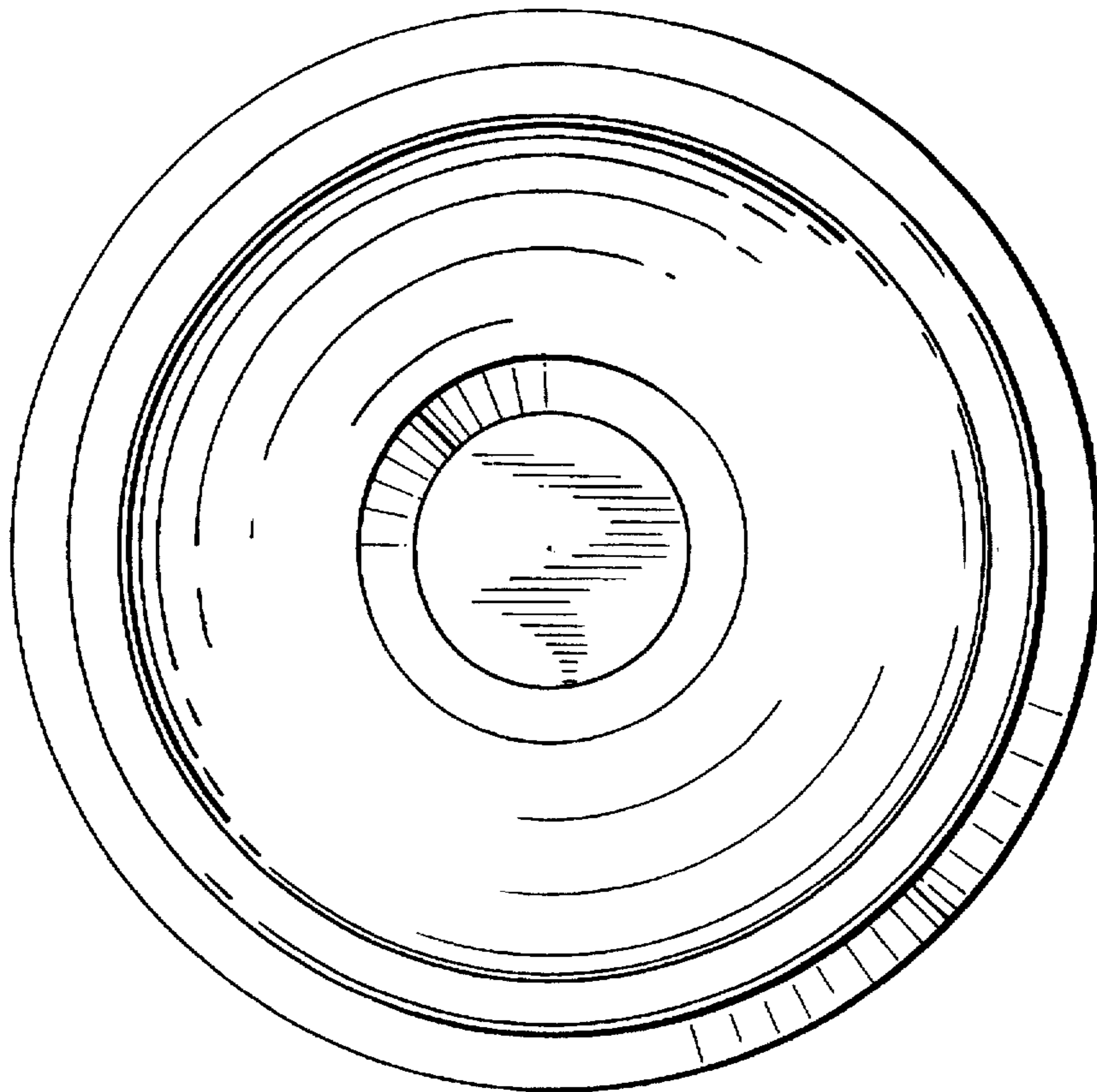


FIG. 3

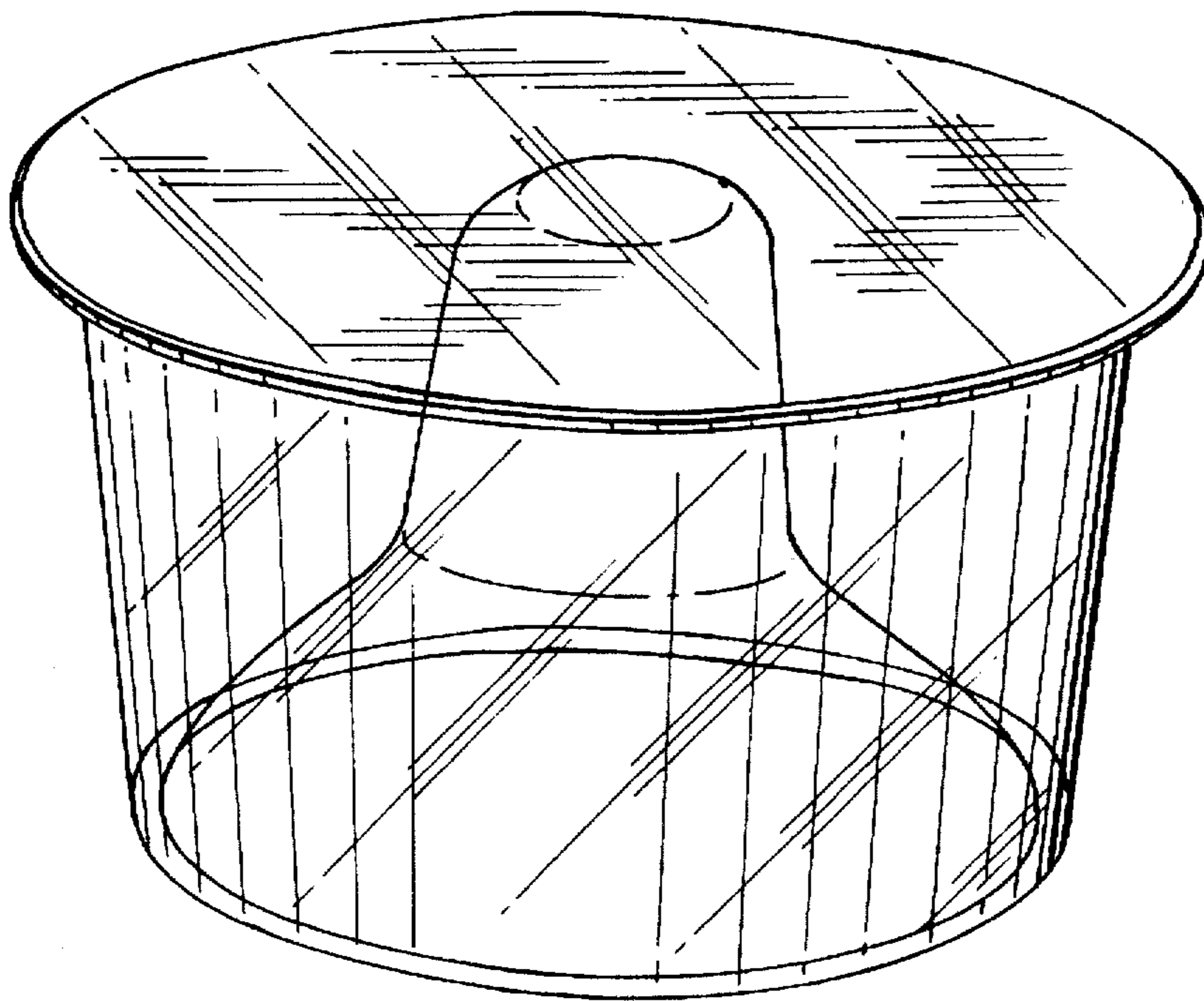


FIG. 5

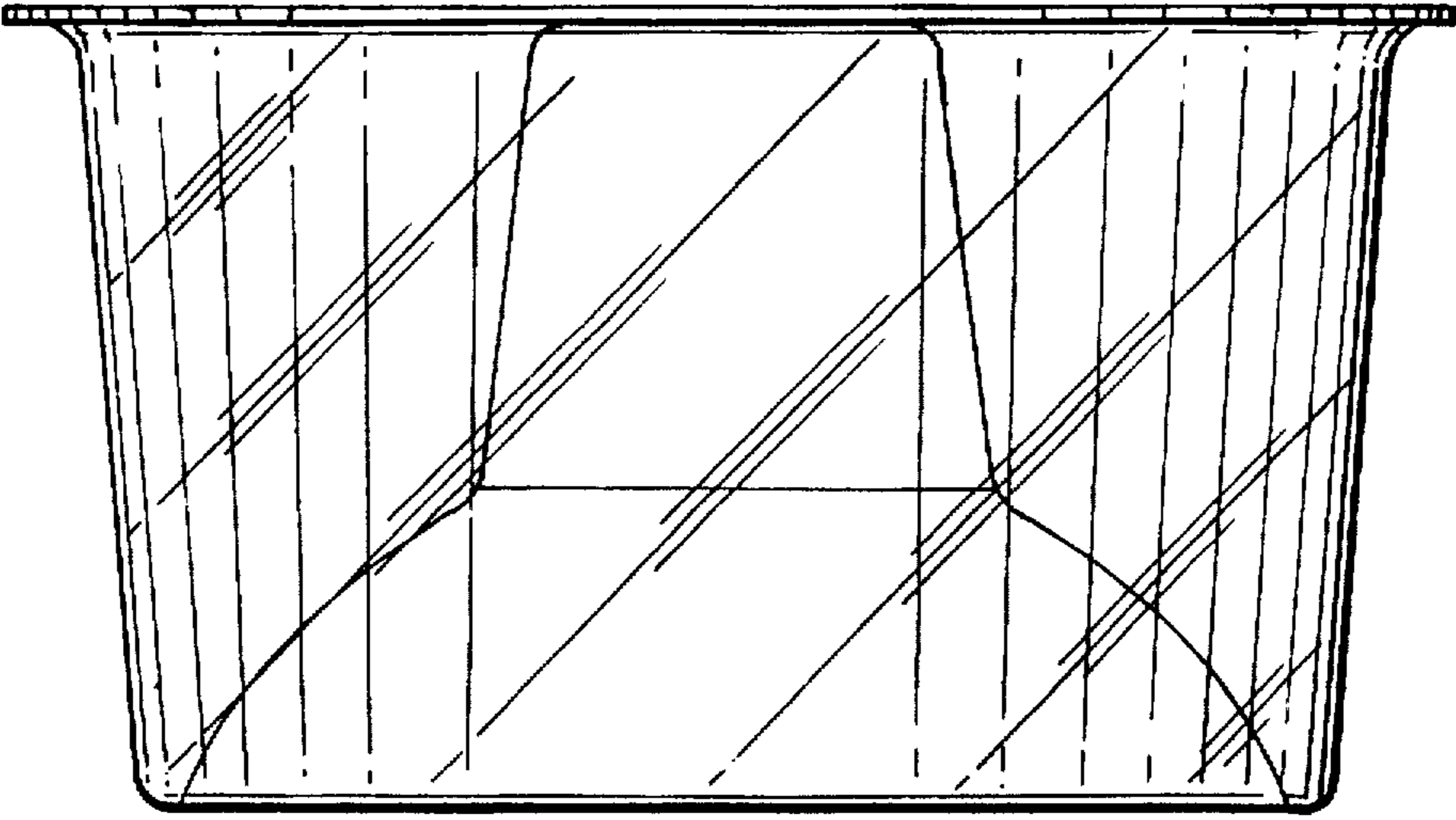


FIG. 4