



US00D389397S

United States Patent [19] Stech

[11] Patent Number: **Des. 389,397**
[45] Date of Patent: ****Jan. 20, 1998**

[54] **THEFT INHIBITING DEVICE FOR A GLADHAND AIR SUPPLY**
[75] Inventor: **Clyde G. Stech, Smithville, Tex.**
[73] Assignee: **Security Masters, Ltd., Austin, Tex.**
[**] Term: **14 Years**
[21] Appl. No.: **58,284**
[22] Filed: **Aug. 8, 1996**
[51] LOC (6) Cl. **08-07**
[52] U.S. Cl. **D8/346**
[58] Field of Search **D8/330, 331, 346; 70/14, 51, 57, 58, 77, 158, 161, 162, 237, 258**

4,533,115	8/1985	Lissau	251/142
4,590,967	5/1986	Schmitt et al.	137/613
4,614,357	9/1986	Murray	280/507
4,693,096	9/1987	Mercer	70/14
4,732,018	3/1988	Crosby	70/19
4,738,126	4/1988	Haberle	70/14
4,747,623	5/1988	Newcomb et al.	285/69
4,852,915	8/1989	Campanini	285/38
5,076,077	12/1991	Renne	70/14
5,129,243	7/1992	Kassebaum	70/14
5,239,848	8/1993	Nichols, Jr.	70/14
5,410,894	5/1995	Fox et al.	70/14

Primary Examiner—Brian N. Vinson
Attorney, Agent, or Firm—Taylor & Associates

[57] CLAIM

The ornamental design for a theft inhibiting device for a gladhand air supply, as shown and described.

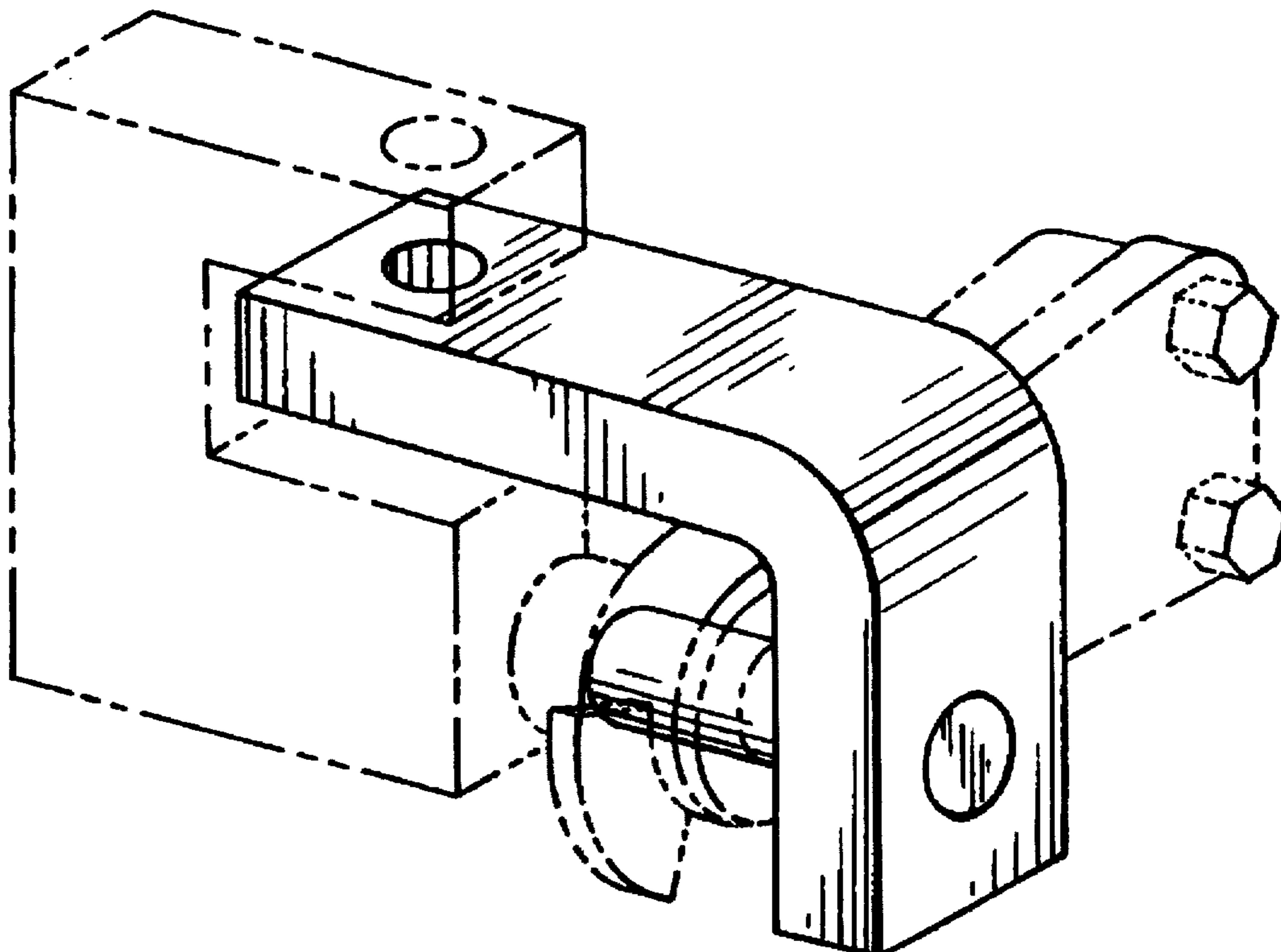
DESCRIPTION

FIG. 1 is a top, front, and left side perspective view of a theft inhibiting device for a gladhand air supply, the broken-line disclosure of a portion of a gladhand air supply and padlock being for illustrative purposes only and forming no part of the claimed design;
FIG. 2 is a left side elevational view thereof, the right side being a mirror image of that shown;
FIG. 3 is an end view thereof;
FIG. 4 is an opposing end view thereof;
FIG. 5 is a bottom view thereof; and,
FIG. 6 is a top view thereof.

1 Claim, 1 Drawing Sheet

[56] References Cited U.S. PATENT DOCUMENTS

D. 334,897	4/1993	Few	D8/330
D. 375,447	11/1996	Small et al.	D8/346
3,052,489	9/1962	Stoudt	285/69
3,181,319	5/1965	Hudon	70/14
3,570,283	3/1971	Males	70/14
3,892,431	7/1975	Booth	385/79
3,941,408	3/1976	Petersson	280/421
3,944,295	3/1976	Lloyd et al.	303/89
3,973,805	8/1976	Stevenson et al.	303/9
4,226,103	10/1980	Strickland	70/237
4,325,237	4/1982	Menzie	70/14
4,362,035	12/1982	Vitale	70/165
4,366,965	1/1983	Rhodes	280/421



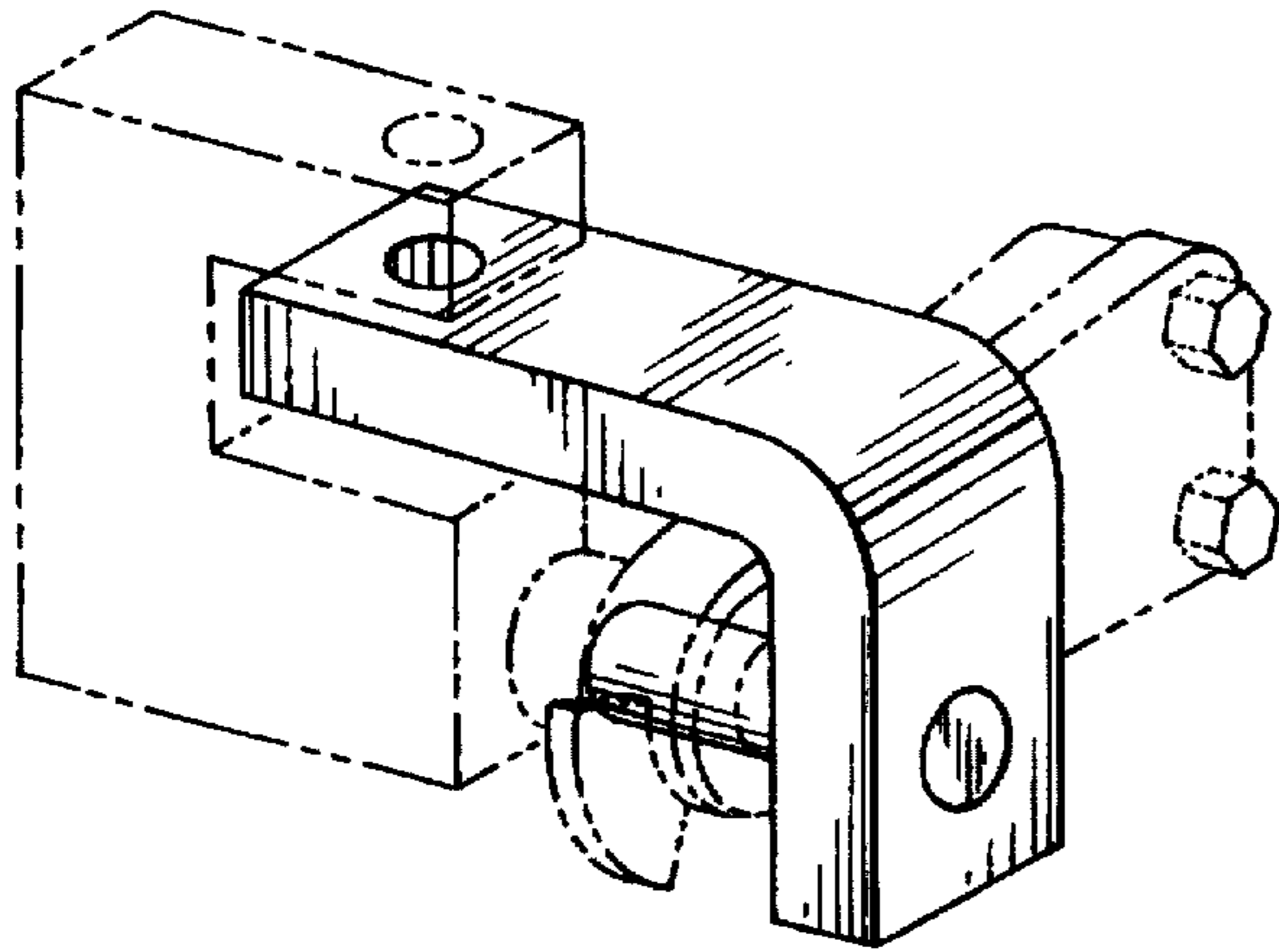


Fig. 1



Fig. 3

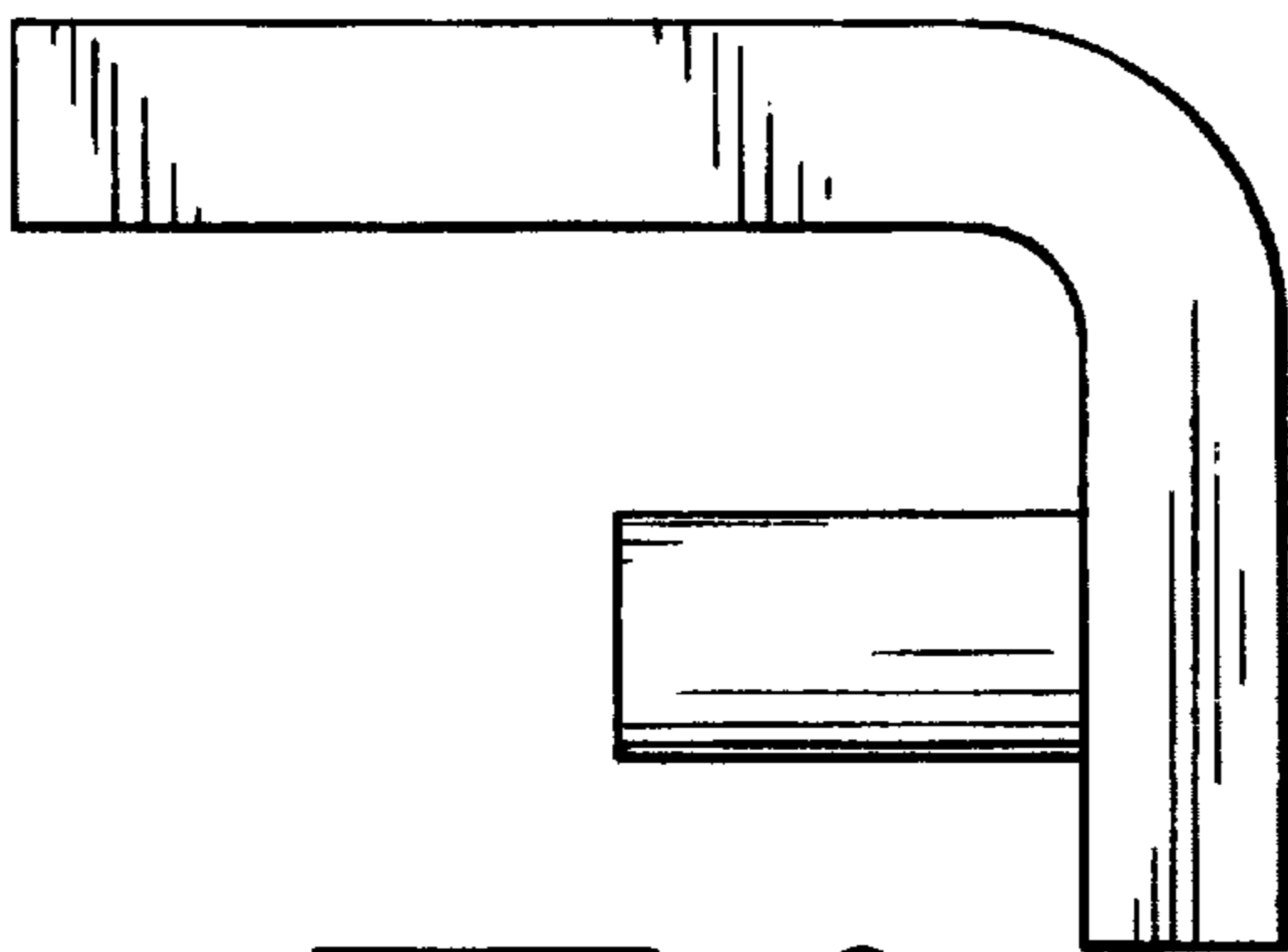


Fig. 2

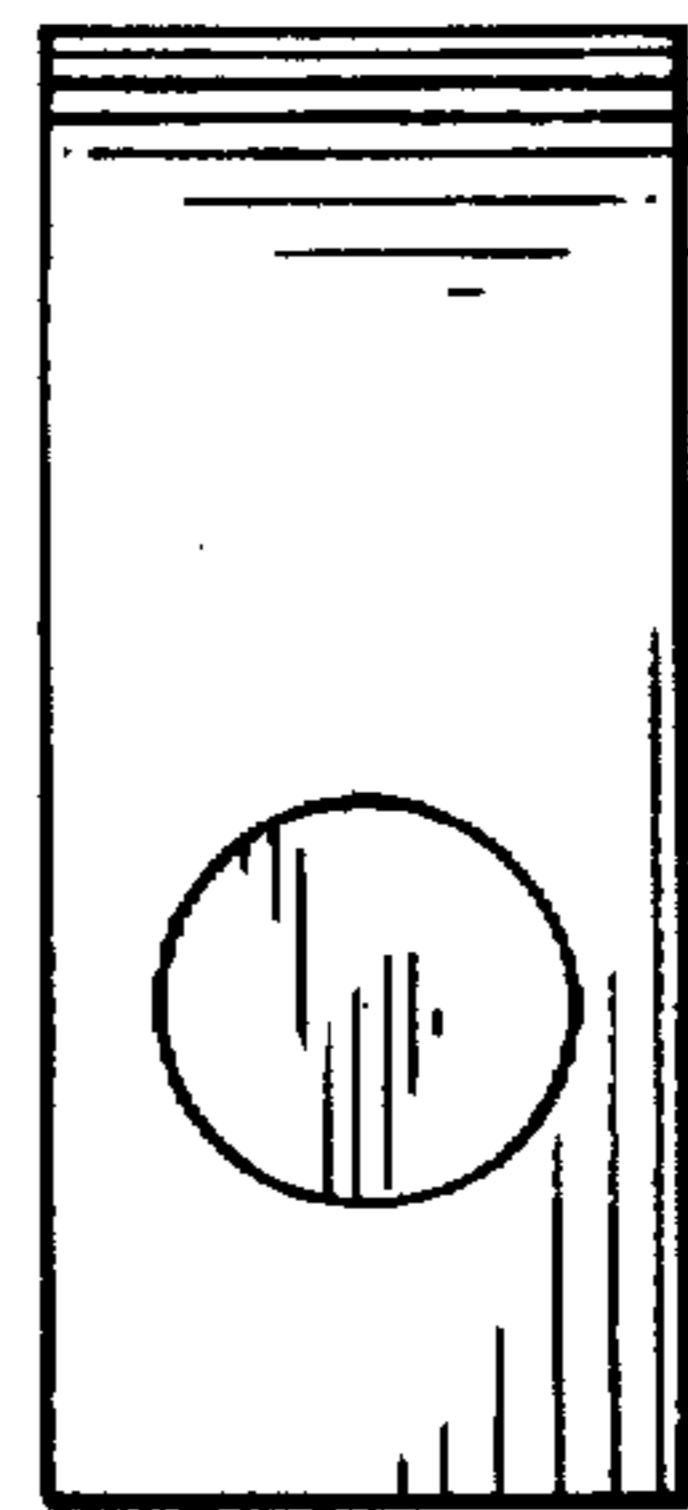


Fig. 4

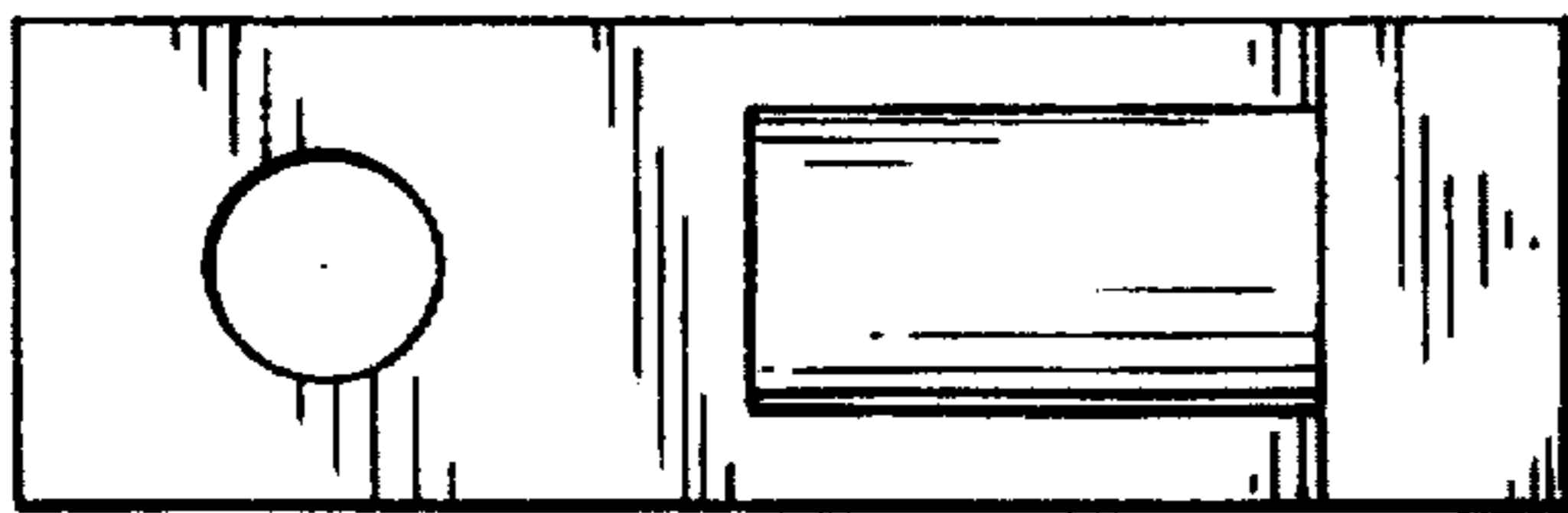


Fig. 5



Fig. 6