



US00D389396S

United States Patent [19]

[11] Patent Number: Des. 389,396

Johnson et al.

[45] Date of Patent: **Jan. 20, 1998

[54] WINDOW LOCK HANDLE AND ESCUTCHEON

[75] Inventors: Douglas G. Johnson, Blooming Prairie; Timothy T. Frenzen, Owatonna; Joseph P. Landherr, Rose Creek, all of Minn.

[73] Assignee: Truth Hardware Corporation, Owatonna, Minn.

[**] Term: 14 Years

[21] Appl. No.: 63,074

[22] Filed: Nov. 26, 1996

[51] LOC (6) Cl. 08-07

[52] U.S. Cl. D8/337

[58] Field of Search D8/336, 337, 338, D8/330, 331; 70/89-90, 240, 241, 111, DIG. 33

[56] References Cited

U.S. PATENT DOCUMENTS

D. 211,452	6/1968	Petrell	D8/337	X
D. 316,509	4/1991	Nolte	.		
D. 327,416	6/1992	Campbell et al.	D8/338	
D. 334,132	3/1993	Wobschall et al.	.		
1,637,865	8/1927	Levan	D8/337	X
4,095,829	6/1978	Van Klompenburg	.		
4,621,847	11/1986	Paulson et al.	.		
4,991,886	2/1991	Nolte et al.	.		
5,087,087	2/1992	Vetter et al.	.		
5,118,145	6/1992	Tucker	.		
5,301,989	4/1994	Dallmann et al.	.		
5,489,131	2/1996	Blom	.		

OTHER PUBLICATIONS

Truth Brochure "Multi Gard™ Sash Lock", p. 10.
Truth Brochure "Sash Lock", p. 2.1.
Truth Brochure "Non-Handed, Low Profile Sash Lock", p. 2.2.

Truth Brochure "Home Gard™ Sash Lock", p. 2.3.
Truth Brochure "Locking Handle", p. 2.7.
Truth Brochure "Multi-Point Locking System", p. 2.8.
Truth Brochure "EntryGard® Sash Lock", p. 11.
Truth Brochure "Non-Handed, Low Profile Sash Lock", p. 12.
Truth Brochure "Sash Lock", p. 13.
Truth Brochure "Concealed Casement Hardware-Lock", p. 13.
Truth Brochure "Locking Handle", p. 14.
Truth Brochure "Multi-Point Locking System", p. 20.1d.

Primary Examiner—Brian N. Vinson
Attorney, Agent, or Firm—Wood, Phillips, VanSanten, Clark & Mortimer

[57] CLAIM

The ornamental design of a window lock handle and escutcheon, as shown and described.

DESCRIPTION

FIG. 1 is a perspective view of the window lock handle and escutcheon of the present invention;
FIG. 2 is a top view of the window lock handle and escutcheon of the present invention as oriented in FIG. 1;
FIG. 3 is a front view of the window lock handle and escutcheon of the present invention;
FIG. 4 is a left end view, relative to FIG. 3, of the window lock handle and escutcheon of the present invention; and,
FIG. 5 is a right end view, relative to FIG. 3, of the window lock handle and escutcheon of the present invention.
The surface of a typical window frame within which the window lock handle and escutcheon is installed is indicated by the dashed lines in FIGS. 2, 4 and 5 and portions of the structure which extend beyond that line but which are hidden when installed in a window frame are not illustrated in the FIGURES because they do not form a portion of the claimed design.

1 Claim, 1 Drawing Sheet

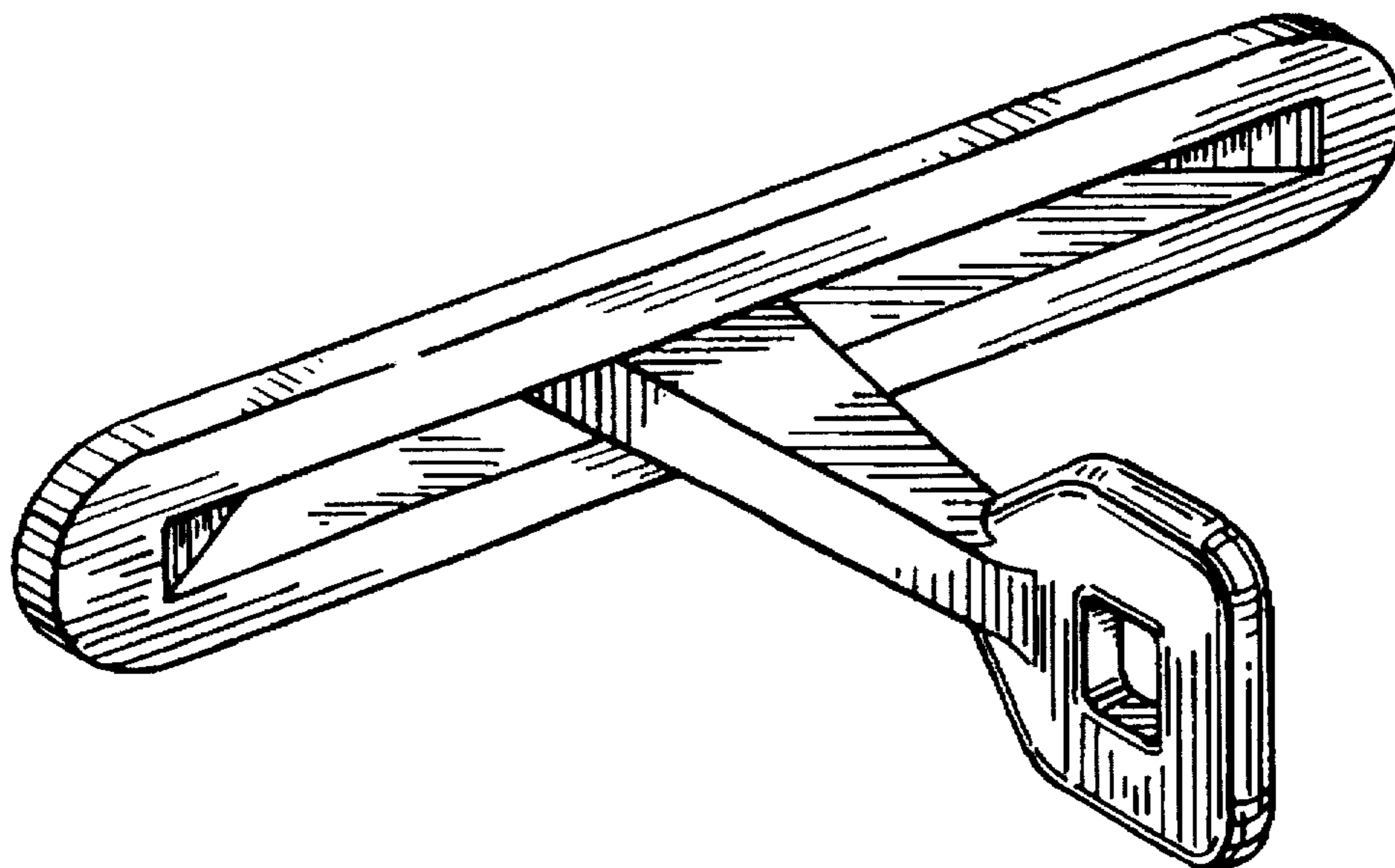


FIG. 1

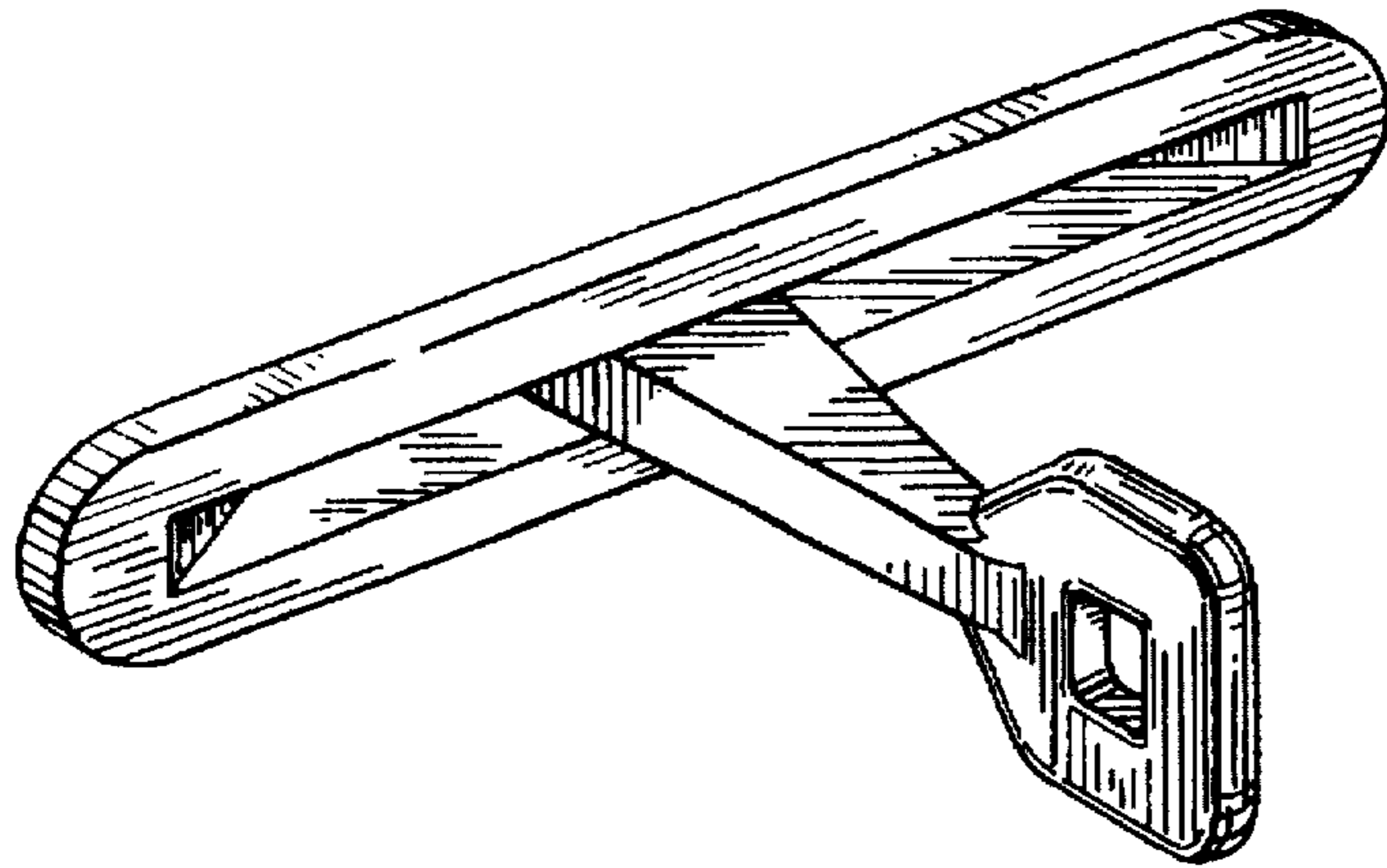


FIG. 2

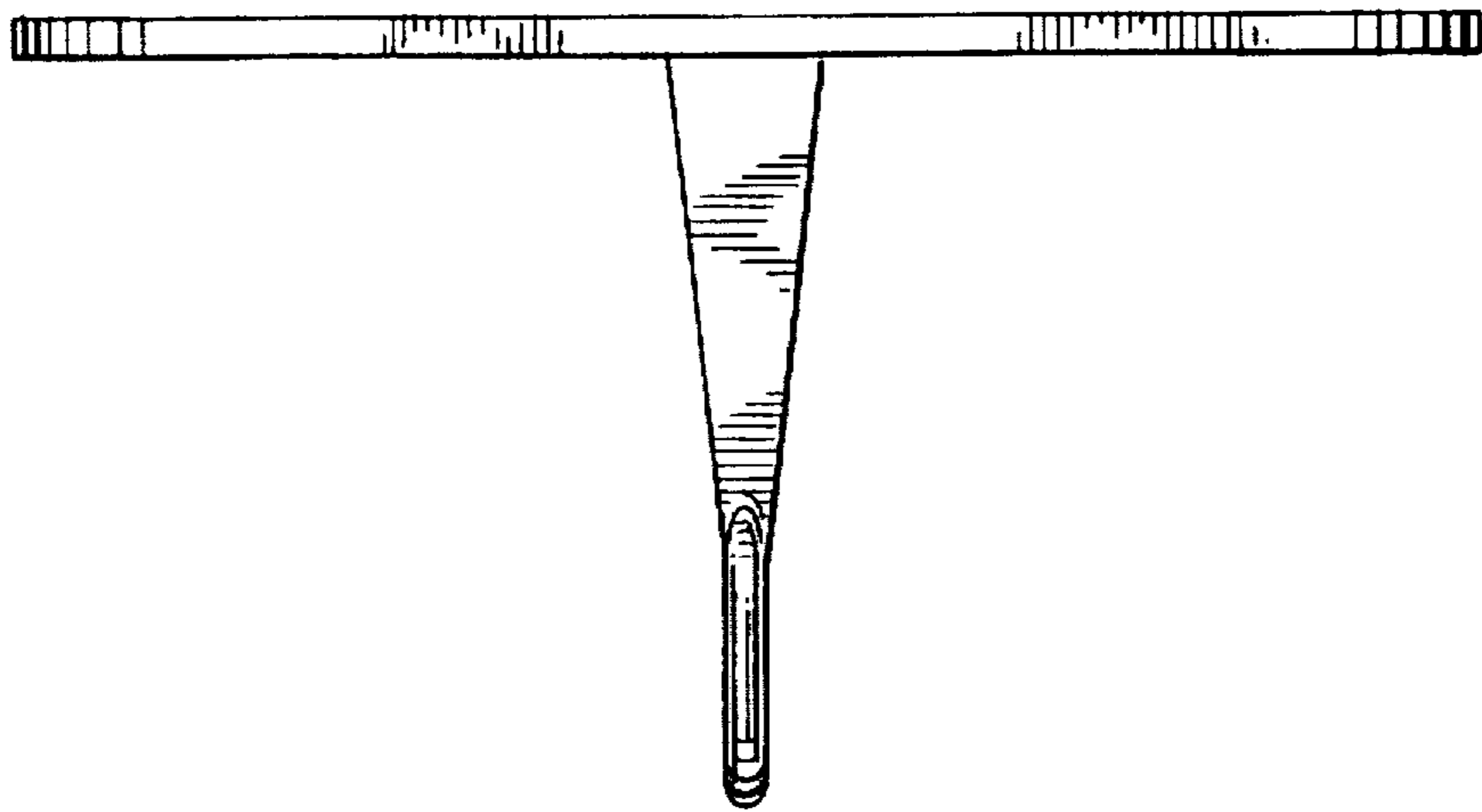


FIG. 3

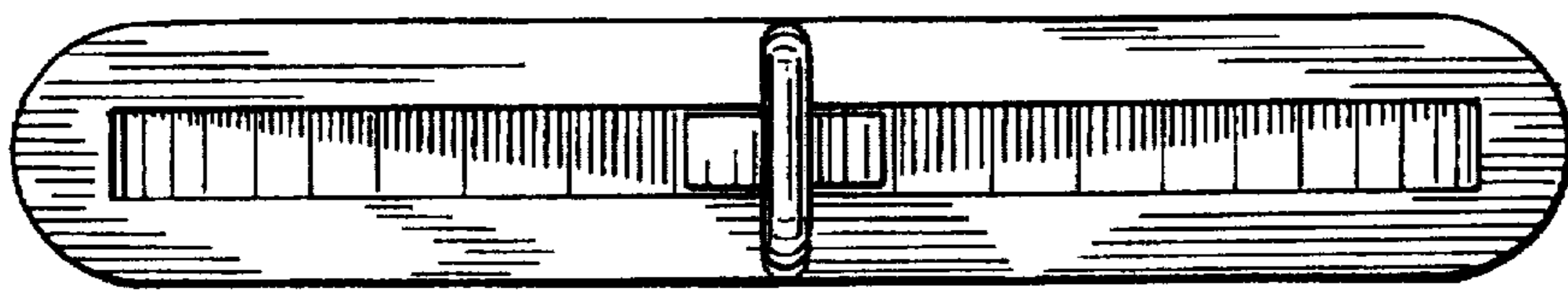


FIG. 4

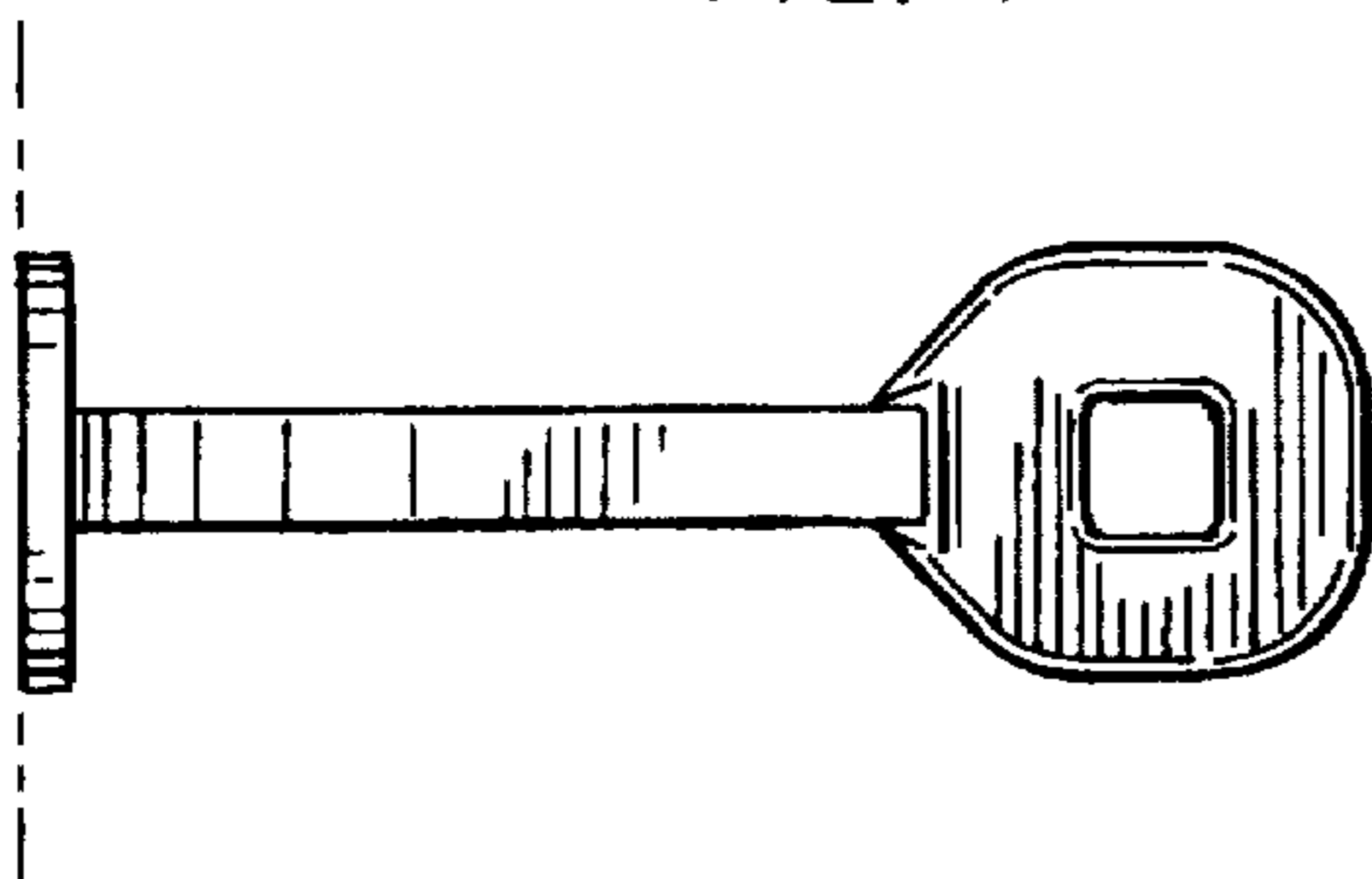


FIG. 5

