



US00D389390S

**United States Patent** [19]  
**Roberts**

[11] **Patent Number: Des. 389,390**  
[45] **Date of Patent: \*\*Jan. 20, 1998**

[54] **CIGAR-SHAPED LETTER OPENER WITH COVER**

2,457,217 12/1948 Ernst ..... D19/36 X  
2,575,431 11/1951 Smith ..... 401/262  
2,586,443 2/1952 Skelley ..... 7/160 X

[76] **Inventor: John S. Roberts, 10 Chestnut St., Chatham, N.J. 07928**

*Primary Examiner*—Martie Thompson  
*Attorney, Agent, or Firm*—Lerner, David, Littenberg, Krumholz & Mentlik

[\*\*] **Term: 14 Years**

[57] **CLAIM**

[21] **Appl. No.: 65,410**

The ornamental design for a cigar-shaped letter opener with cover, as shown and described.

[22] **Filed: Jan. 13, 1997**

**DESCRIPTION**

[51] **LOC (6) Cl. .... 08-03**

[52] **U.S. Cl. .... D8/103; D8/102; D19/65**

[58] **Field of Search .... D8/47, 102, 103, D8/104, 98; D19/65, 99, 100, 36, 51; 30/2, 151, 289, 294, 164.5, DIG. 3; 7/160 R; 401/262**

FIG. 1 is a perspective view from the top-right of the cigar-shaped letter opener with cover showing the cover portion removed from the letter-opener portion; FIG. 2 is a perspective view from the top-left of the cigar-shaped letter opener with cover showing the cover portion placed on the letter-opener portion; FIG. 3 is a front elevational view of the cigar-shaped letter opener with cover showing the cover portion removed from the letter-opener portion; FIG. 4 is a left-side elevational view thereof; and, FIG. 5 is a top plan view thereof.

[56] **References Cited**

**U.S. PATENT DOCUMENTS**

D. 147,593 9/1947 Lipic ..... D8/102  
D. 152,847 2/1949 Weiss ..... D8/104  
D. 377,193 1/1997 Takemura ..... D19/36  
808,880 1/1906 Snyder ..... D19/51 X  
1,988,807 1/1935 Pierson ..... D8/47 X

**1 Claim, 2 Drawing Sheets**

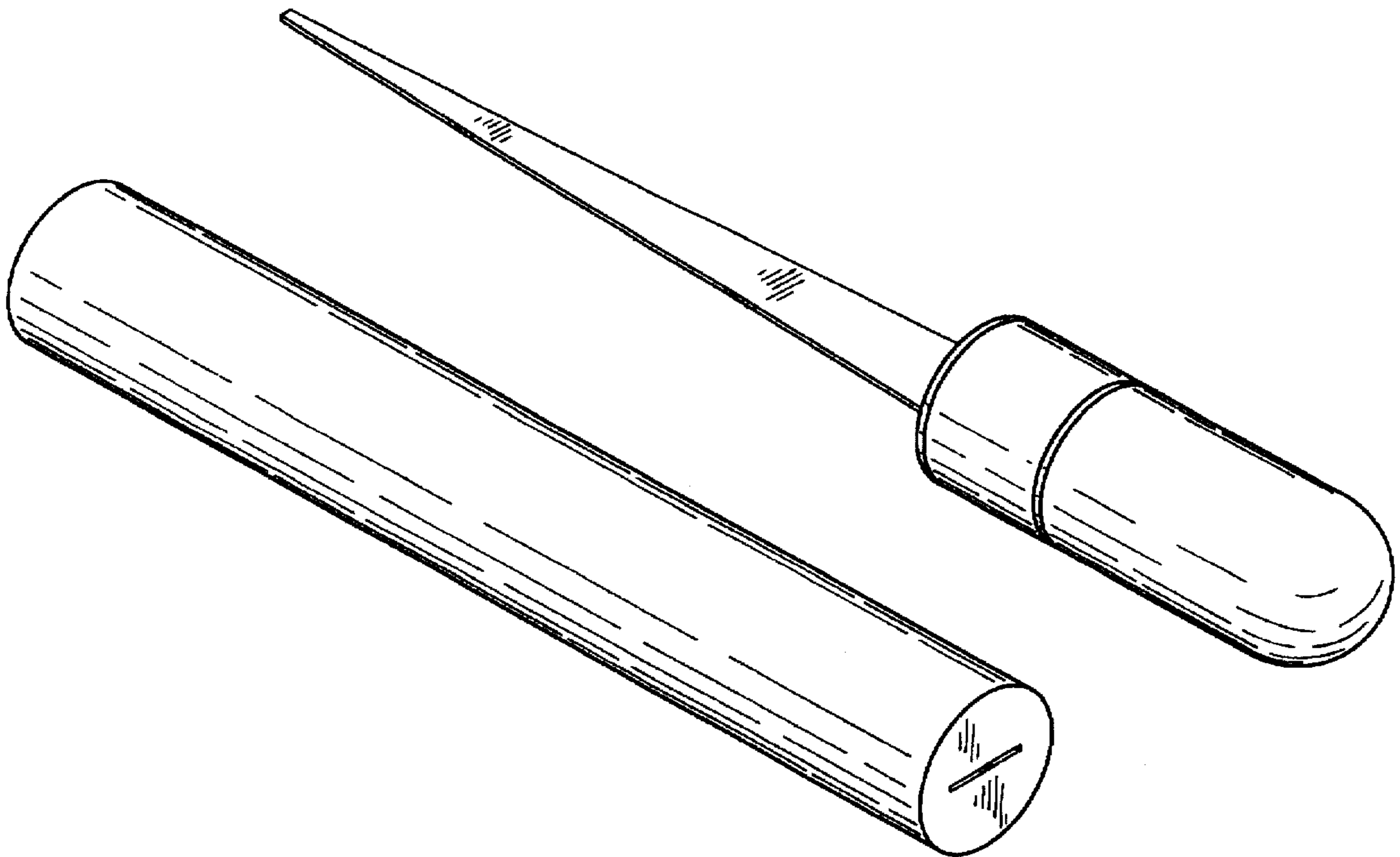


FIG. 1

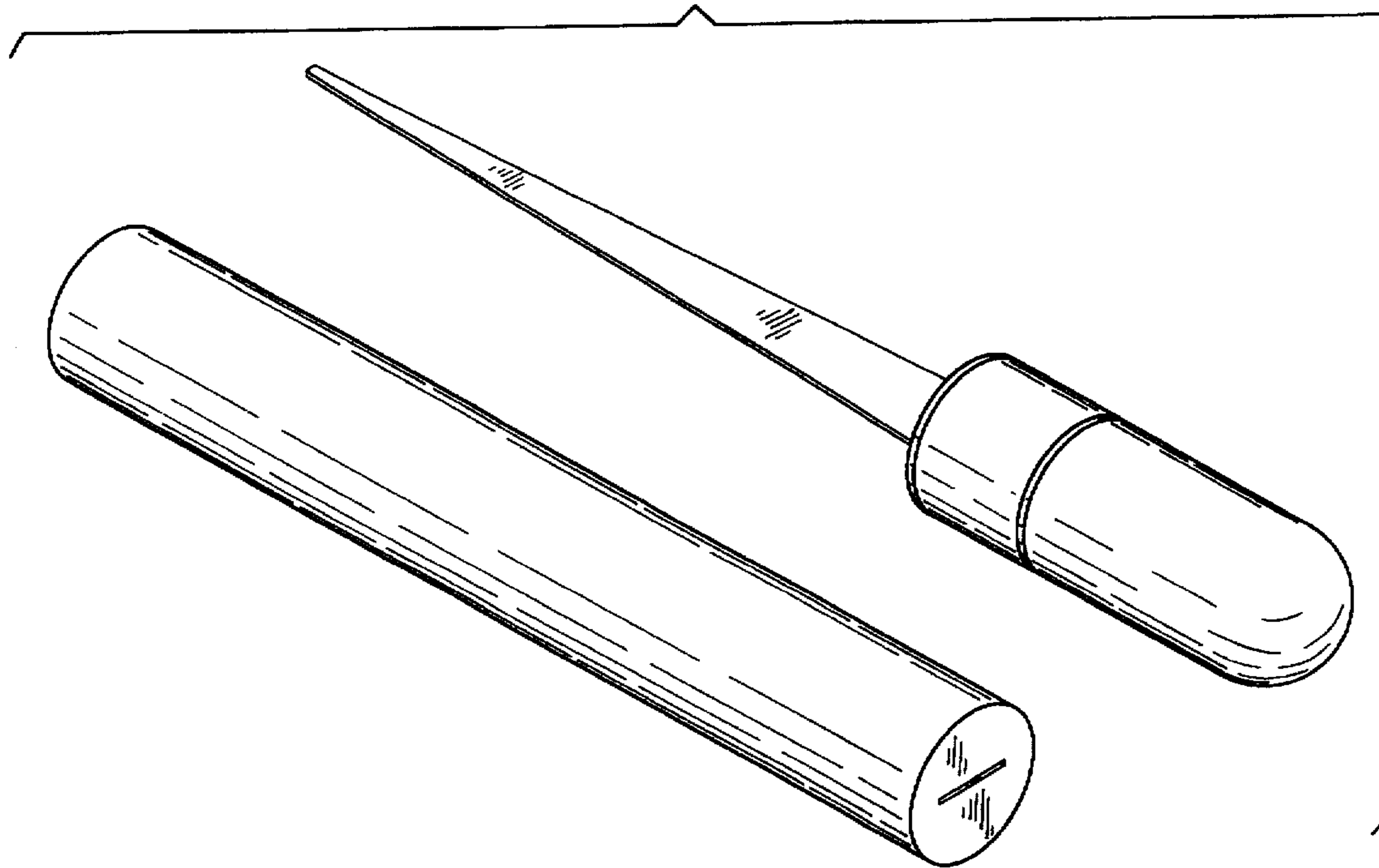
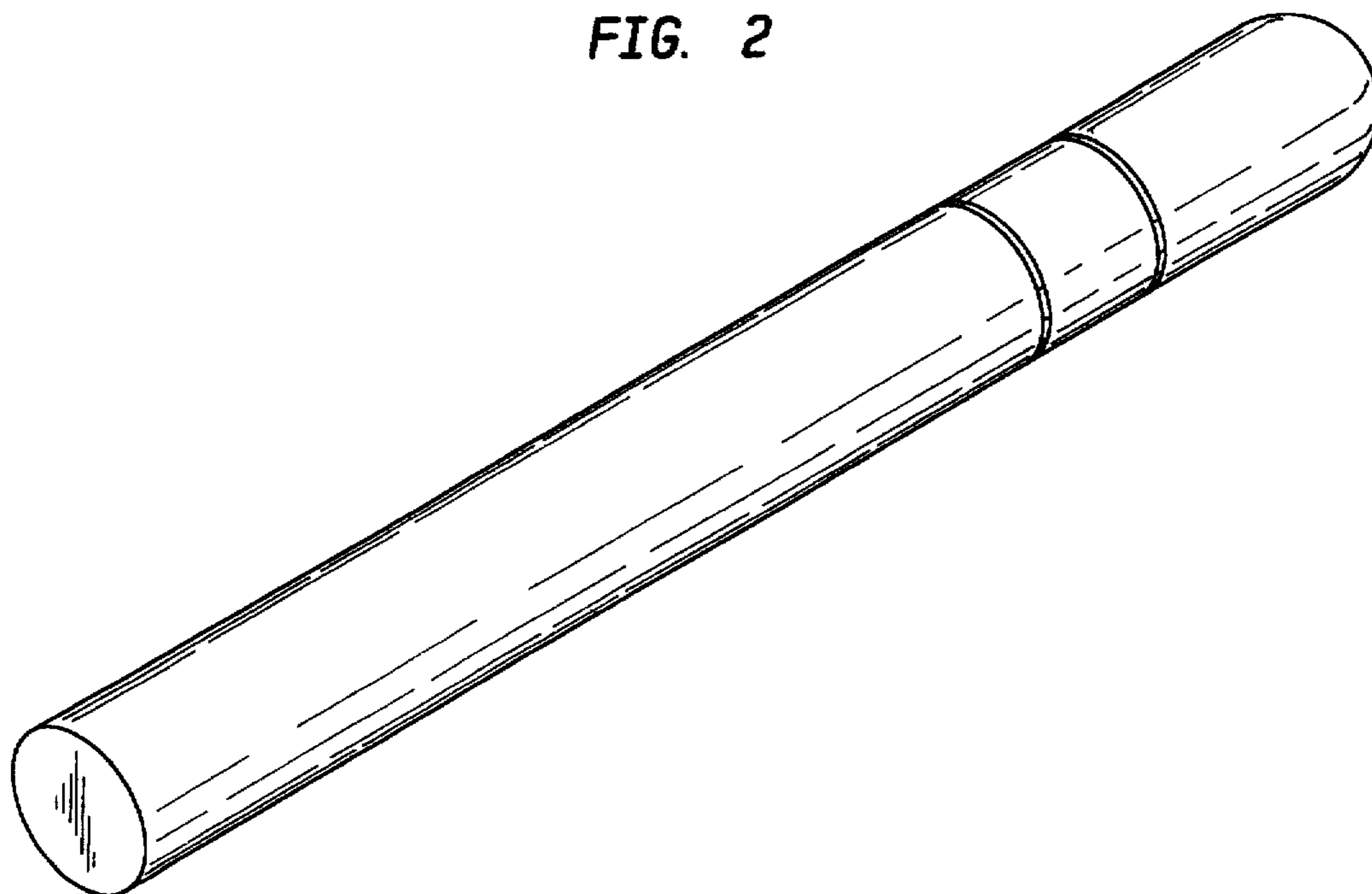
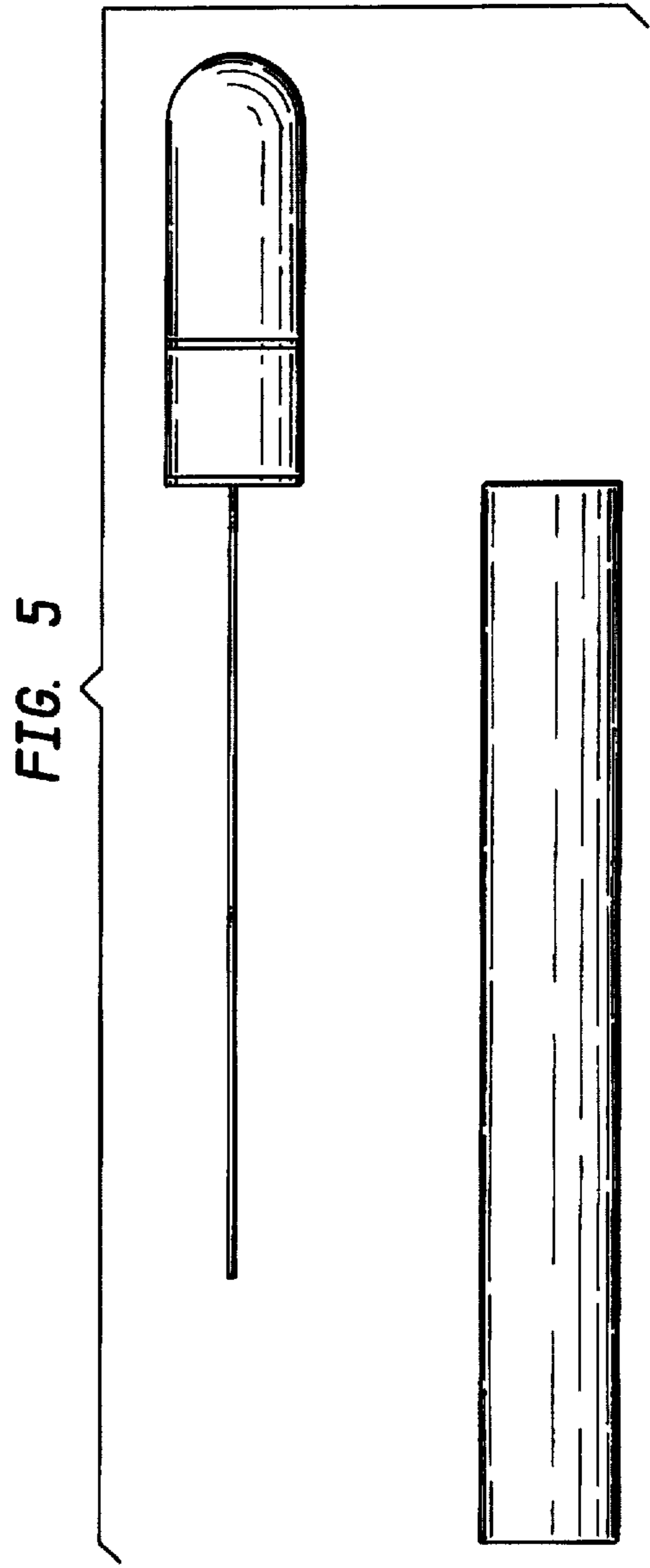
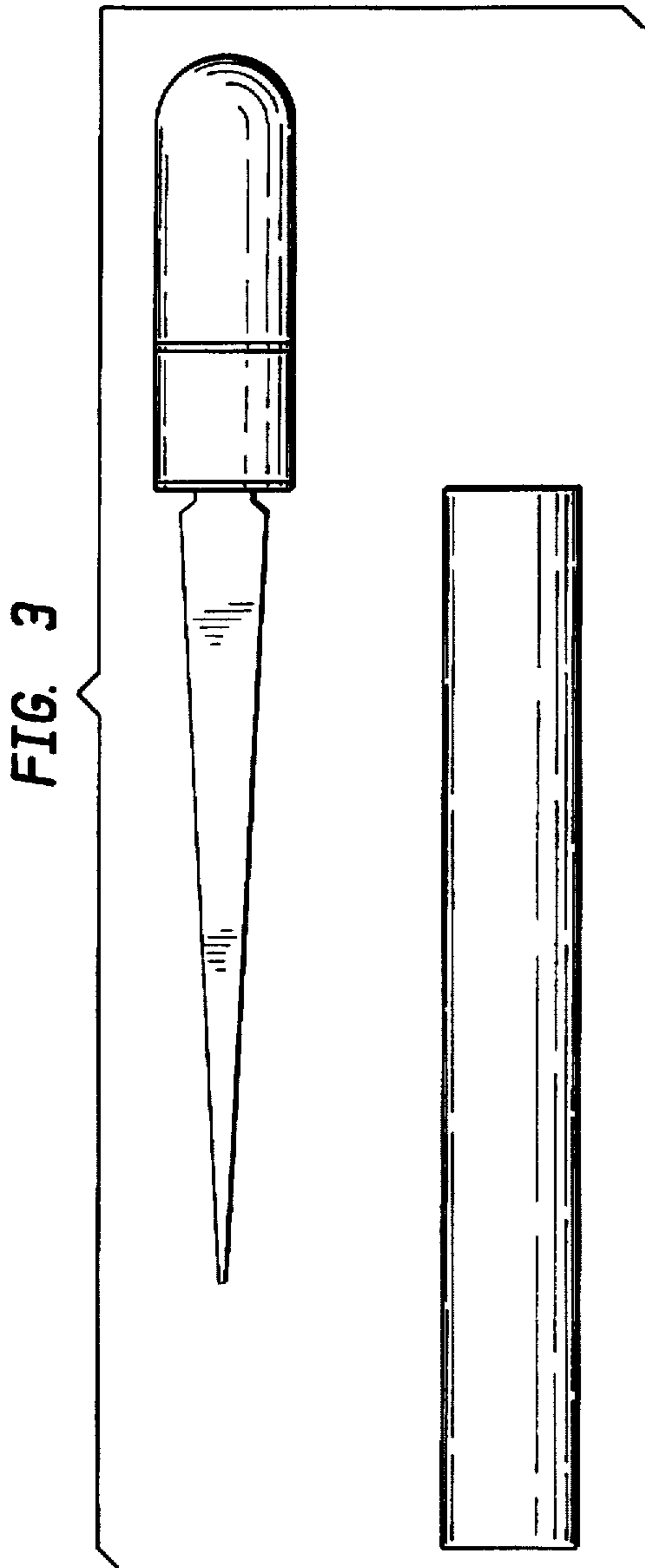
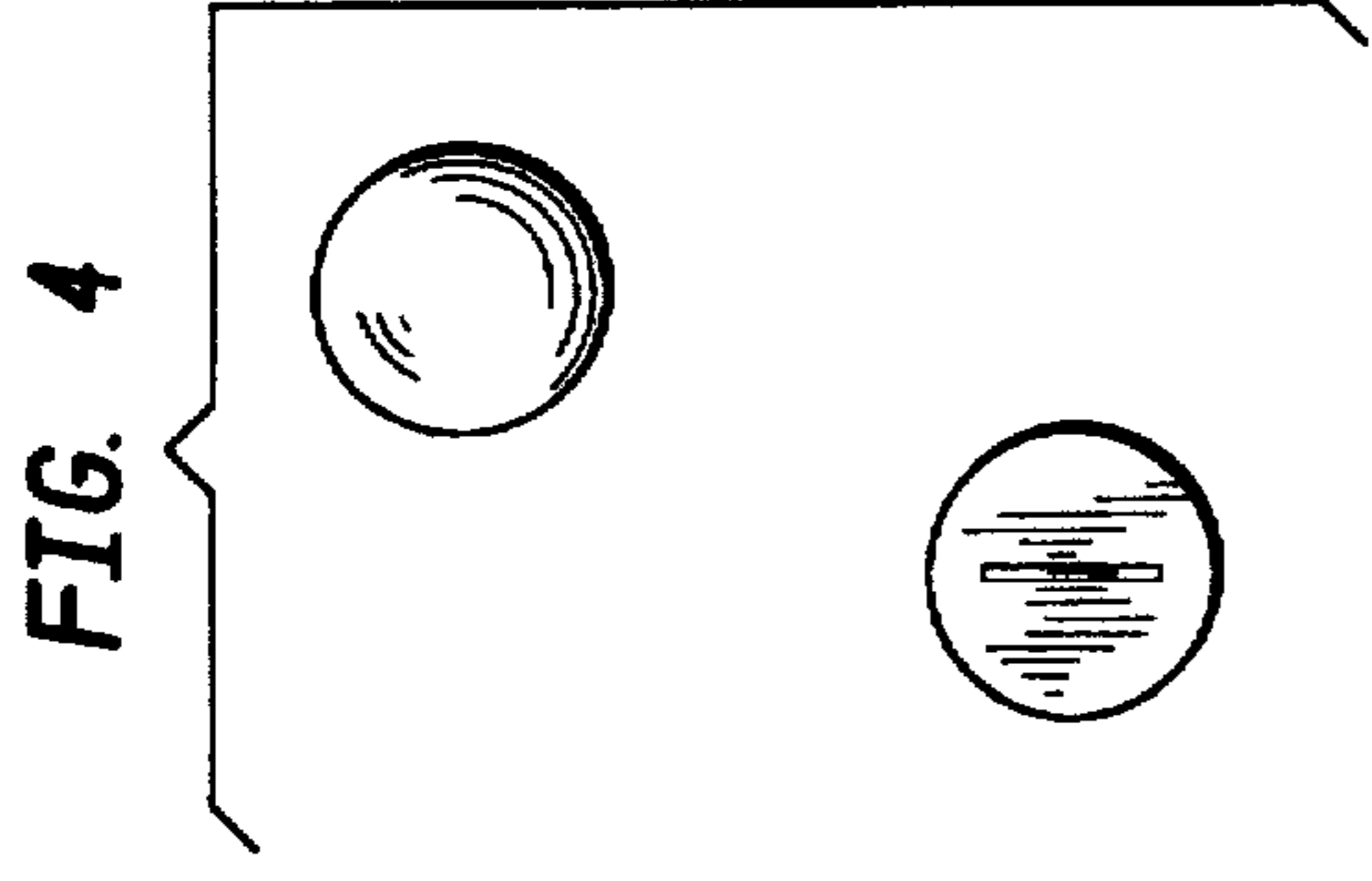


FIG. 2





UNITED STATES PATENT AND TRADEMARK OFFICE  
**CERTIFICATE OF CORRECTION**

PATENT NO. : DES. 389,390

DATED : January 20, 1998

INVENTOR(S) : Roberts

It is certified that error appears in the above-identified patent and that said Letters Patent is hereby corrected as shown below:

On the Title Page, "[22] Filed: Jan. 13, 1997"

should read --[22] Filed: Jan. 15, 1997--.

On the Title Page, in the Description, line 7 "the cigr-shaped letter"

should read --the cigar-shaped letter--

Signed and Sealed this  
Twenty-second Day of December, 1998



*Attest:*

BRUCE LEHMAN

*Attesting Officer*

*Commissioner of Patents and Trademarks*