



US00D389384S

**United States Patent** [19]  
**Lui**

[11] **Patent Number:** **Des. 389,384**  
[45] **Date of Patent:** **\*\*Jan. 20, 1998**

[54] **ELECTRIC DRILL**

D. 329,580 9/1992 Sasaki et al. .... D8/68  
D. 378,268 3/1997 Schultz ..... D8/68

[75] **Inventor:** **Tat Nin Lui, Aberdeen, Hong Kong**

[73] **Assignee:** **Choon Nang Electrical Appliance Mfty. Ltd., Aberdeen, Hong Kong**

[\*\*] **Term:** **14 Years**

[21] **Appl. No.:** **62,259**

[22] **Filed:** **Nov. 12, 1996**

*Primary Examiner*—Antoine Duval Davis  
*Attorney, Agent, or Firm*—Gunn, Lee & Miller, PC

[57] **CLAIM**

The ornamental design of an electric drill, as shown and described.

**DESCRIPTION**

**Related U.S. Application Data**

[63] **Continuation-in-part of Ser. No. 43,525, Sep. 6, 1995, Pat. No. Des. 377,893.**

[51] **LOC (6) Cl. .... 08-01**

[52] **U.S. Cl. .... D8/68**

[58] **Field of Search .... D8/61, 62, 68; 81/54, 57.11, 57.13, 57.14, 177.4; 173/170; 239/525, 526, 527, 589; 408/124, 125**

FIG. 1 is a top, front end and left side perspective view of an electric drill showing my design;

FIG. 2 is a left side elevational view thereof;

FIG. 3 is a top plan view thereof;

FIG. 4 is a right side elevational view thereof;

FIG. 5 is a bottom plan view thereof;

FIG. 6 is a front end elevational view thereof; and

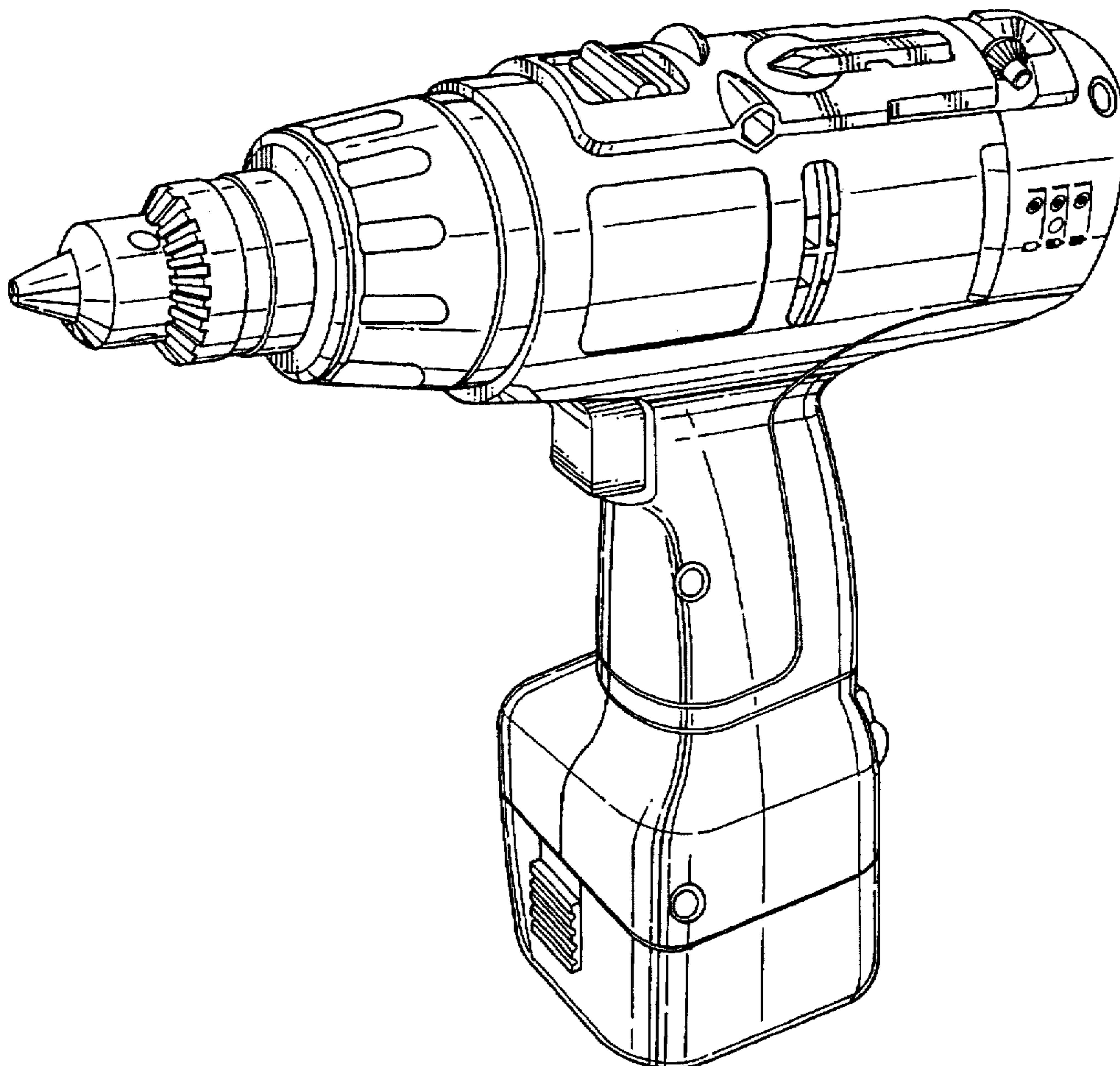
FIG. 7 is a rear end elevational view thereof.

[56] **References Cited**

**U.S. PATENT DOCUMENTS**

D. 323,606 2/1992 Chang ..... D8/68

**1 Claim, 4 Drawing Sheets**



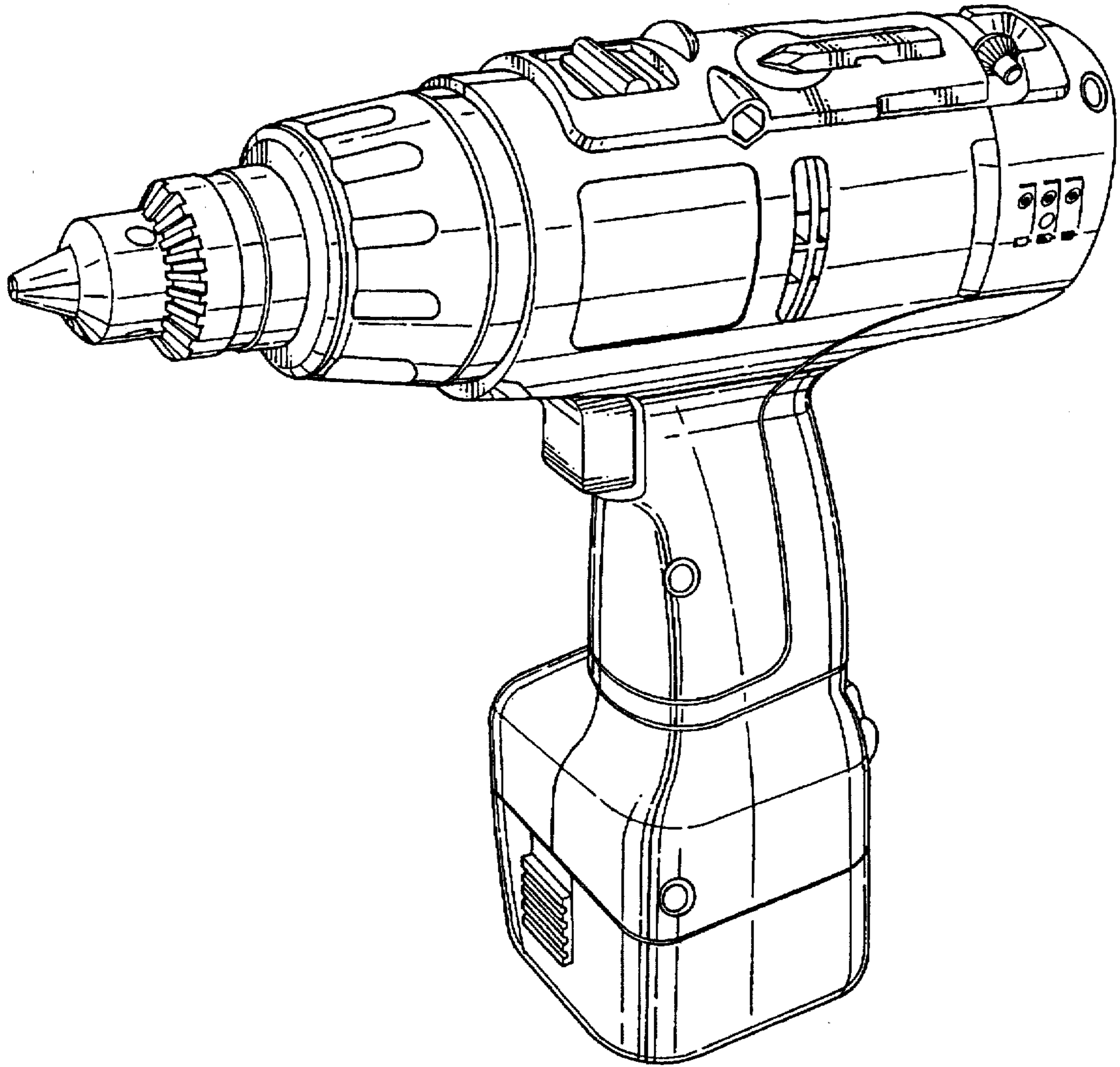


Fig. 1

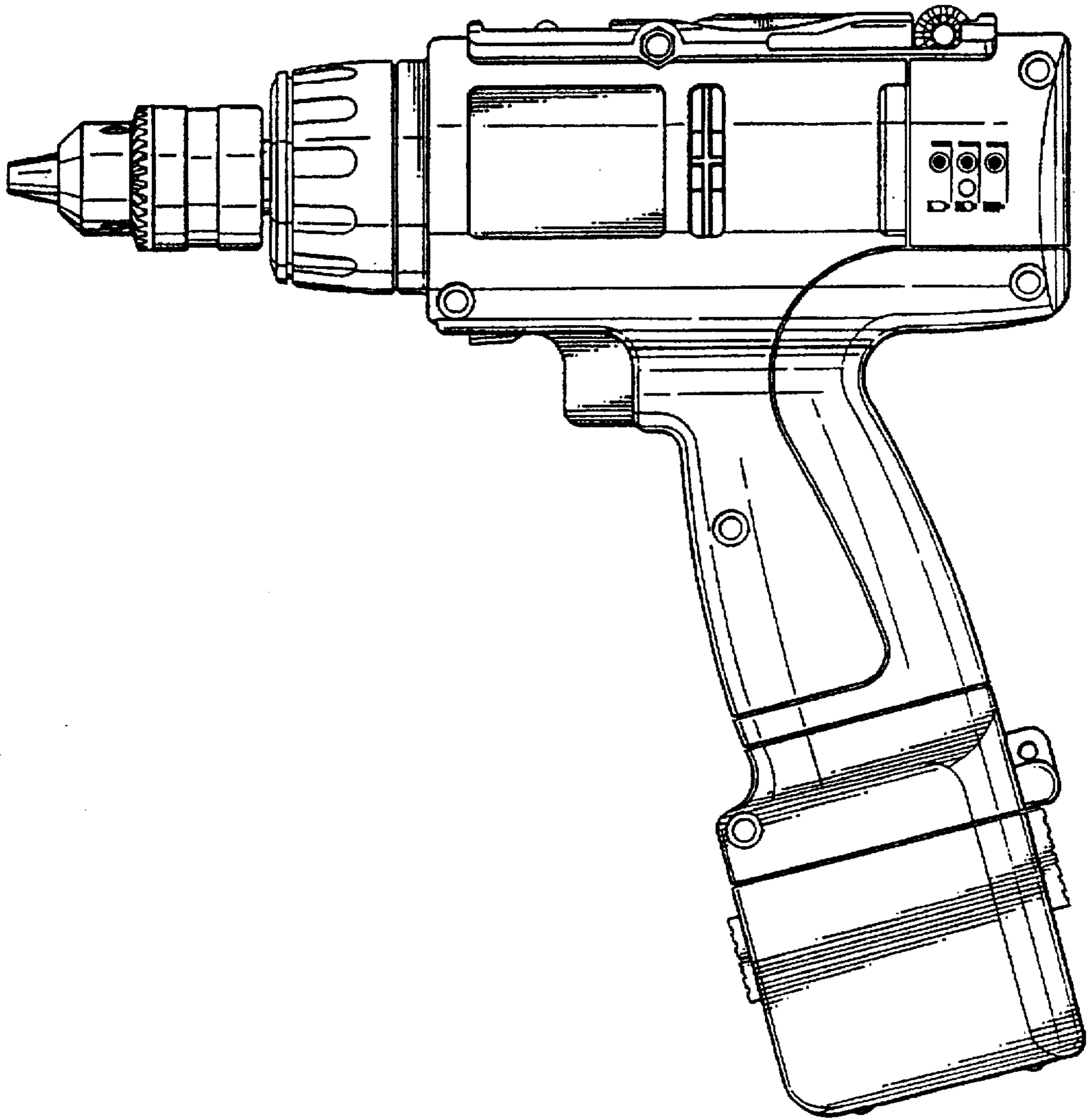


Fig. 2

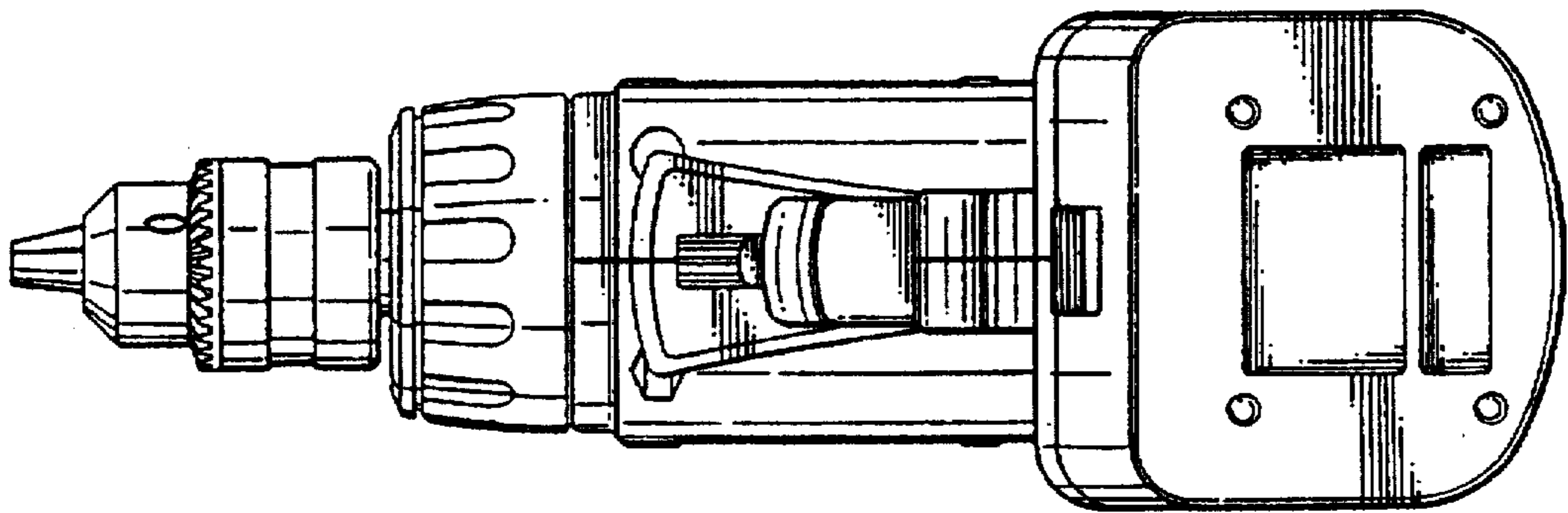


Fig. 5

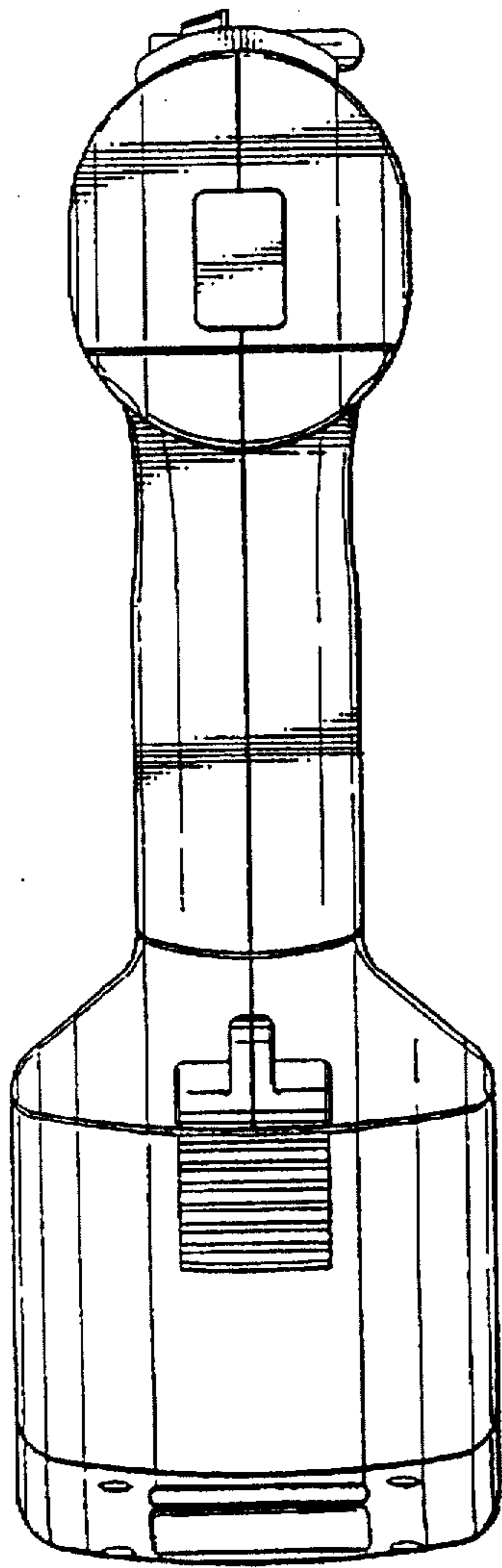


Fig. 7

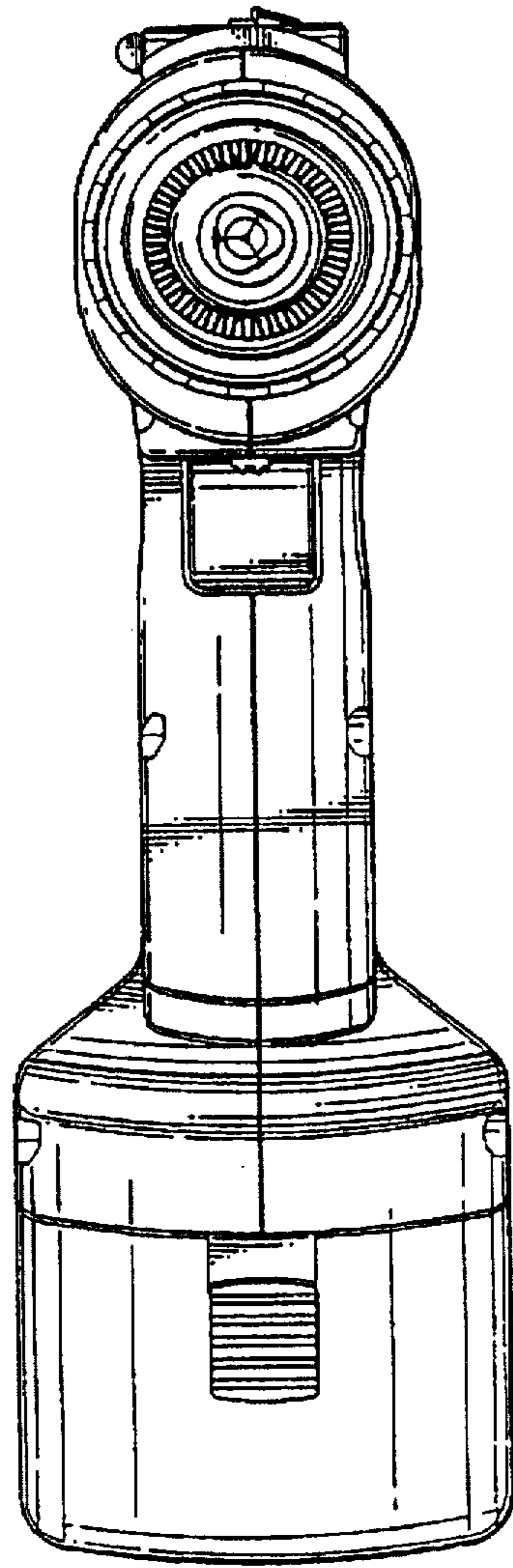


Fig. 6

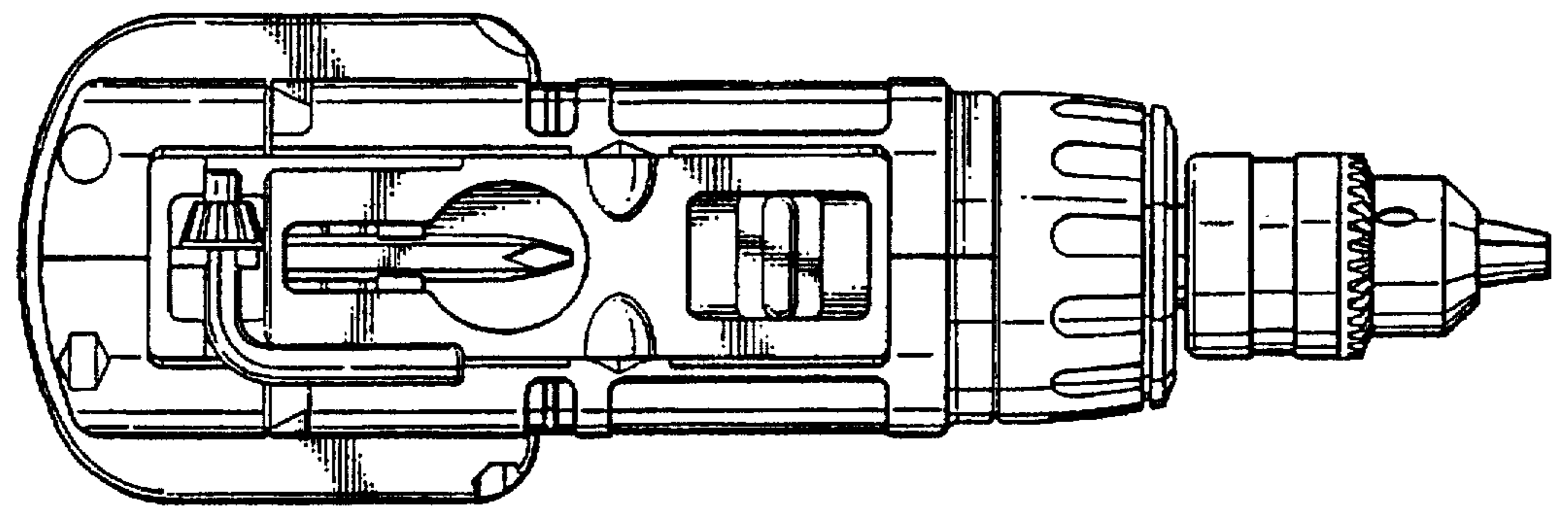


Fig. 3

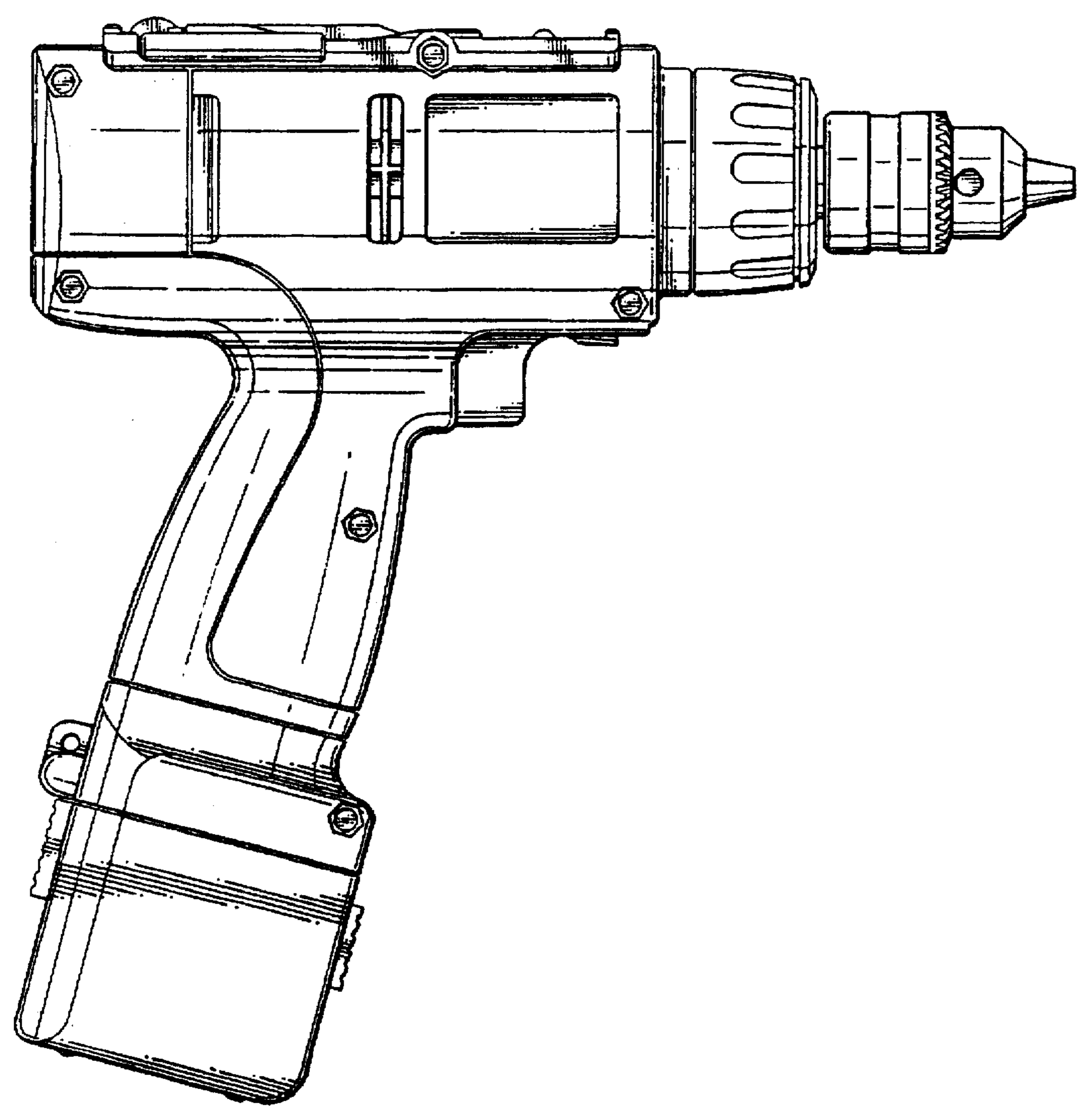


Fig. 4