

US00D389380S

# United States Patent [19]

Liu et al.

[11] Patent Number: Des. 389,380

[45] Date of Patent: \*\*Jan. 20, 1998

[54] BREAD SLICING RACK

5,386,755 2/1995 Schneider et al. .... 83/762  
5,598,759 2/1997 Sie et al. .... 83/762

[75] Inventors: **Simon Yiu-Chung Liu**, West Bend, Wis.; **Cheng Yue-Chun**, Kwai Chung, Hong Kong

*Primary Examiner*—Terry A. Wallace  
*Attorney, Agent, or Firm*—Jansson, Shupe, Bridge & Munger, Ltd.

[73] Assignee: **West Bend Company**, West Bend, Wis.

### [57] CLAIM

[\*\*] Term: 14 Years

The ornamental design for a bread slicing rack, as shown and described.

[21] Appl. No.: 44,008

### DESCRIPTION

[22] Filed: Sep. 14, 1995

[51] LOC (6) Cl. .... 07-04

[52] U.S. Cl. .... D7/673

[58] Field of Search ..... D7/672, 673; 83/437.2, 83/454, 468, 553, 761, 762, 932; 269/13, 101, 288, 289 R, 293, 295, 309

FIG. 1 is a top, front, left side perspective view of a bread slicing rack showing our new design;

FIG. 2 is a bottom, rear, left side perspective view thereof with the side walls shown partially pivoted away from their vertical positions;

FIG. 3 is a top, front, left side perspective view thereof inverted and the side wall members shown folded to their storage position; and,

FIG. 4 is a top, rear, left side perspective view thereof in a different orientation.

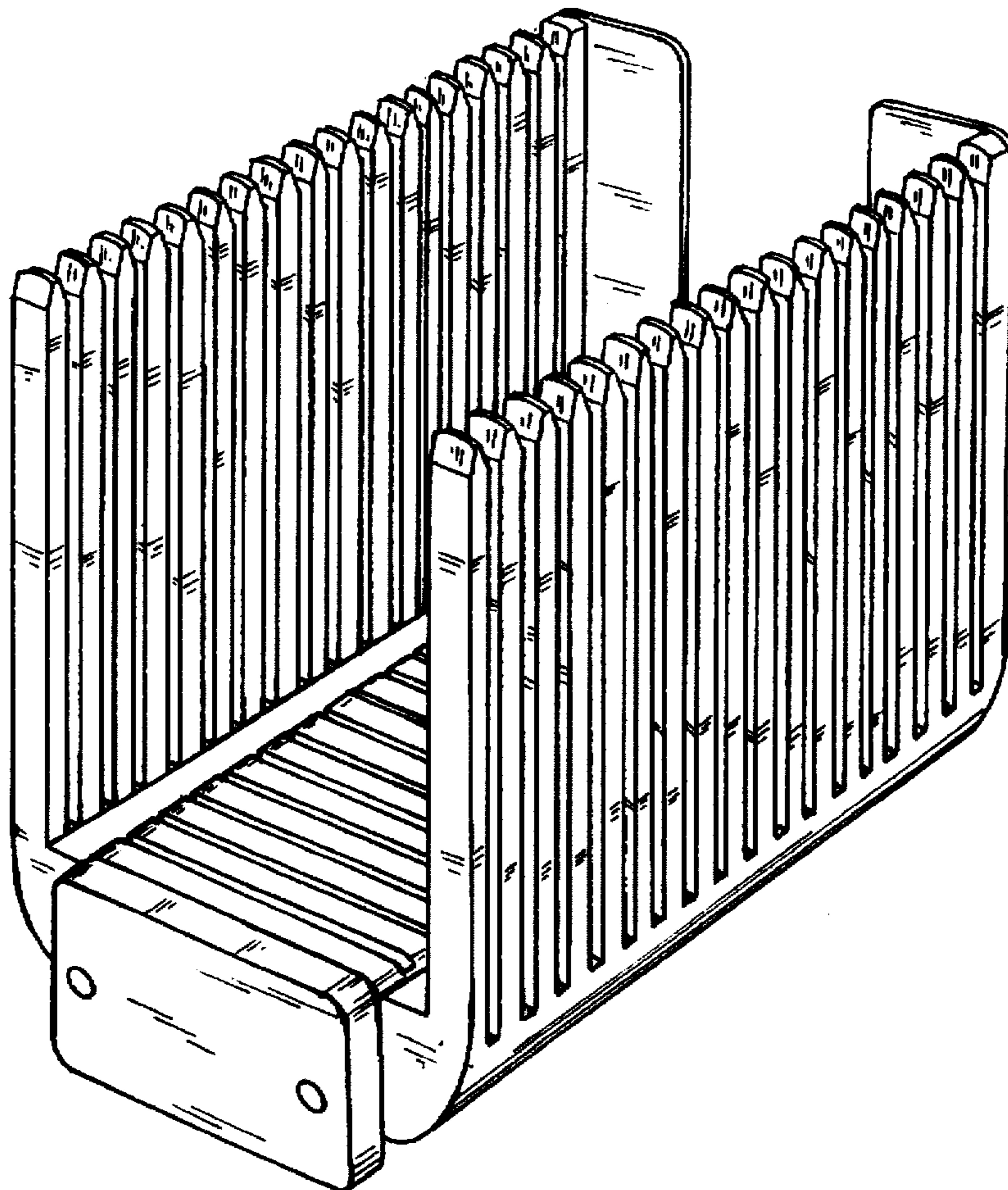
The undisclosed right side view is identical to the left except for the flanges on both sides of the rear knife guides.

### [56] References Cited

#### U.S. PATENT DOCUMENTS

D. 135,937	7/1943	Richardson et al. ....	D7/673
1,072,450	9/1913	Hamblin .....	D7/673 X
1,462,717	7/1923	Maus .....	D7/673 X
2,398,192	4/1946	Scheminger, Jr. ....	83/762
3,405,631	10/1968	Thomas, Jr. ....	D7/673 X

1 Claim, 4 Drawing Sheets



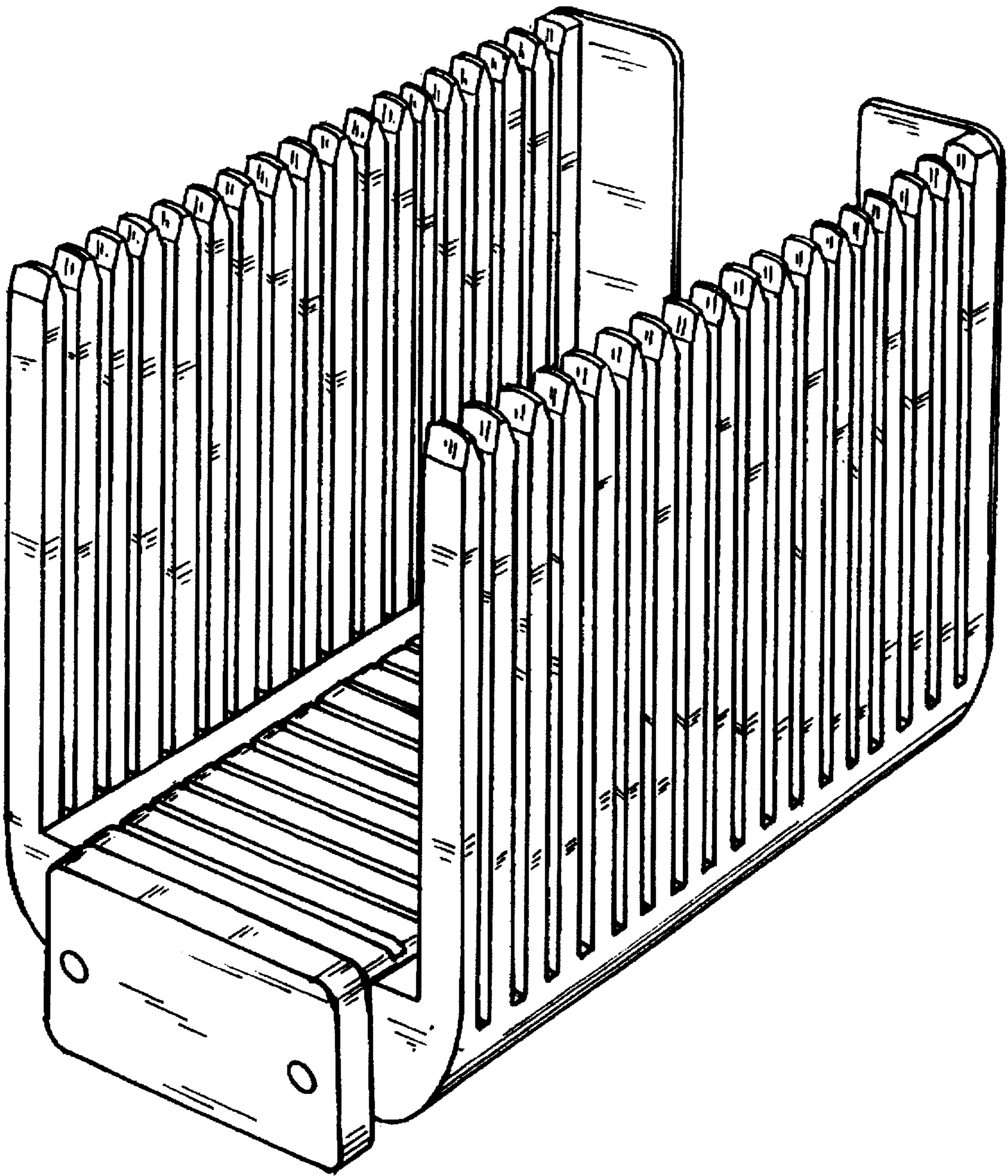


FIG. 1

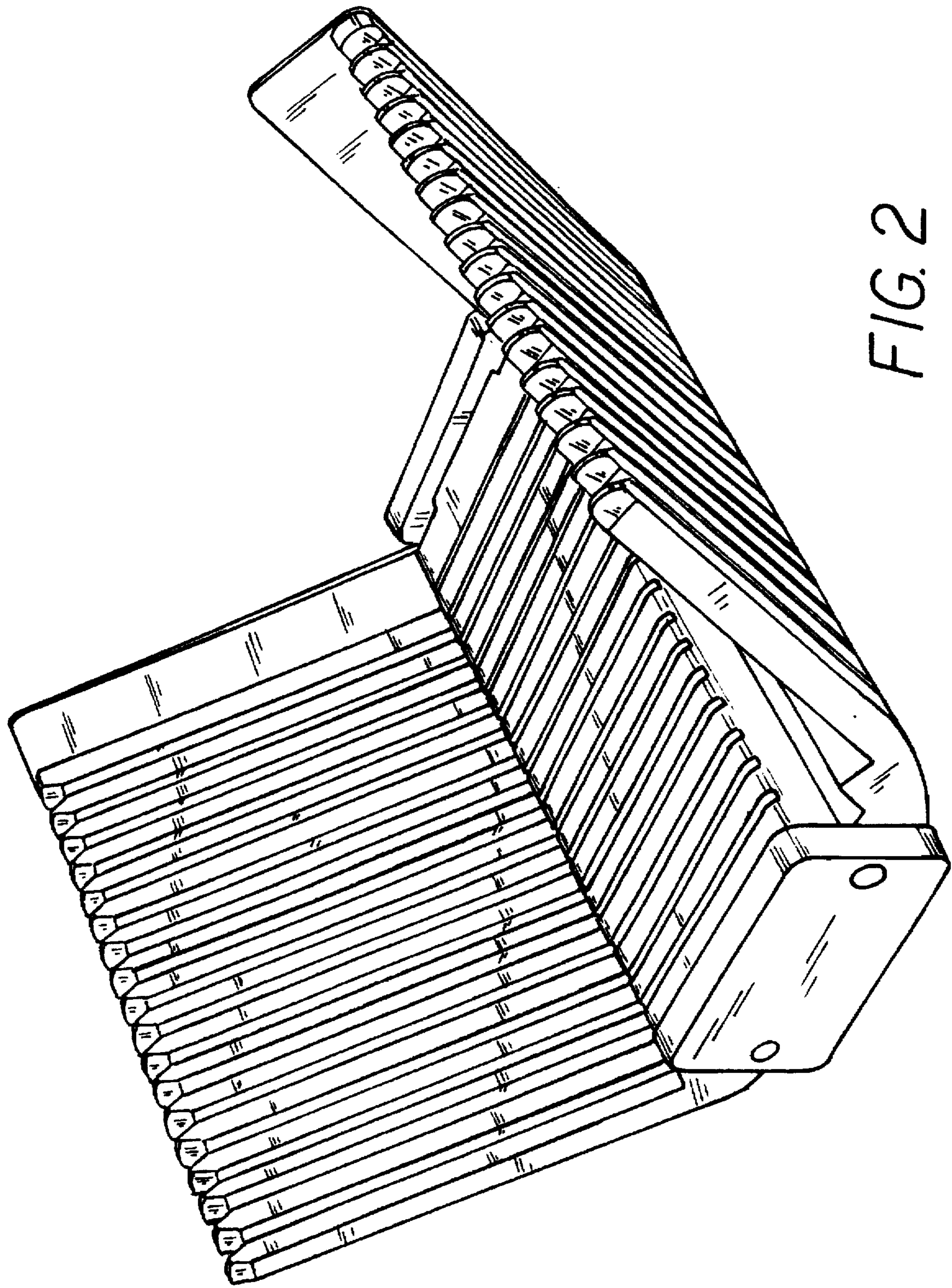


FIG. 2

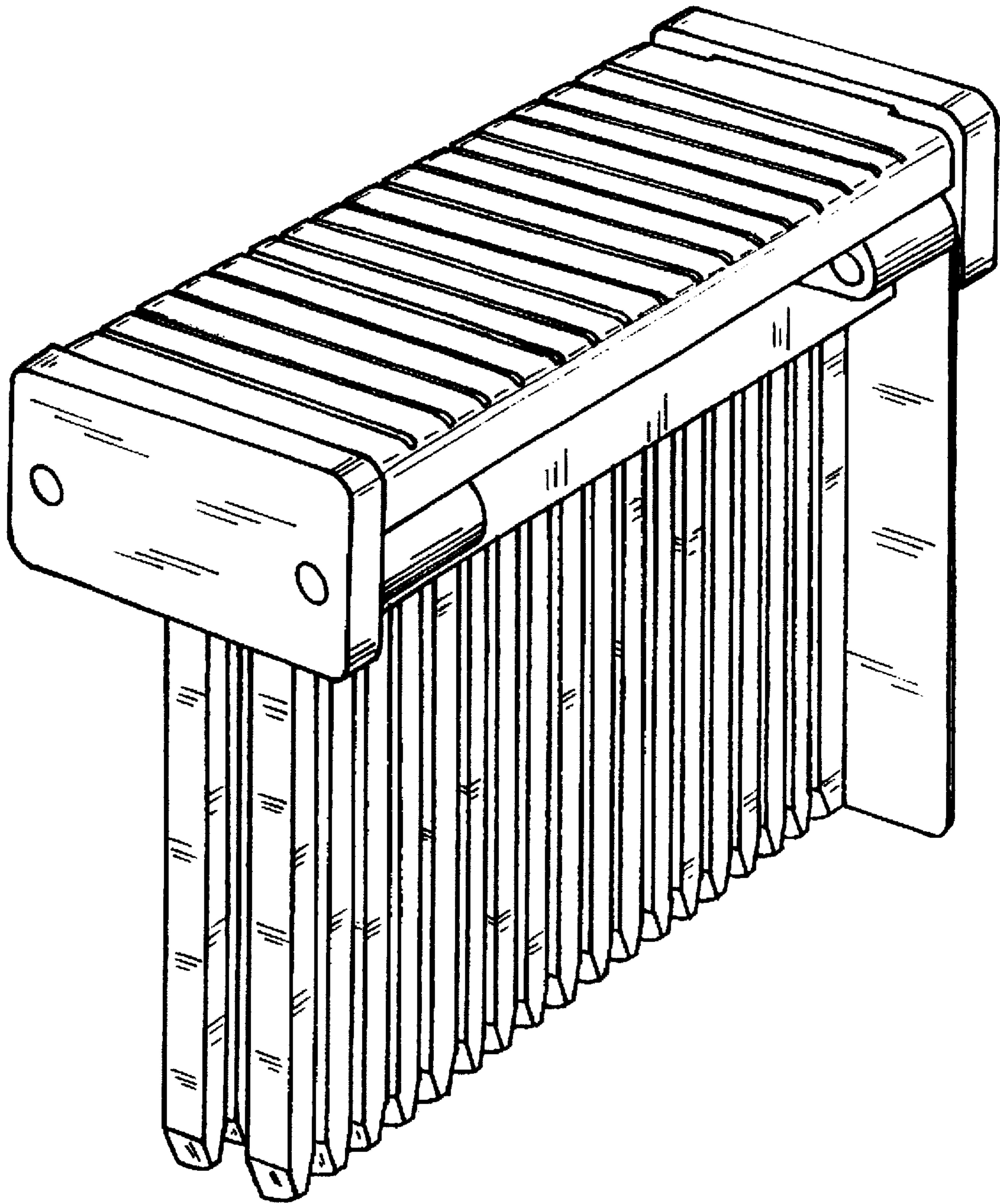


FIG. 3

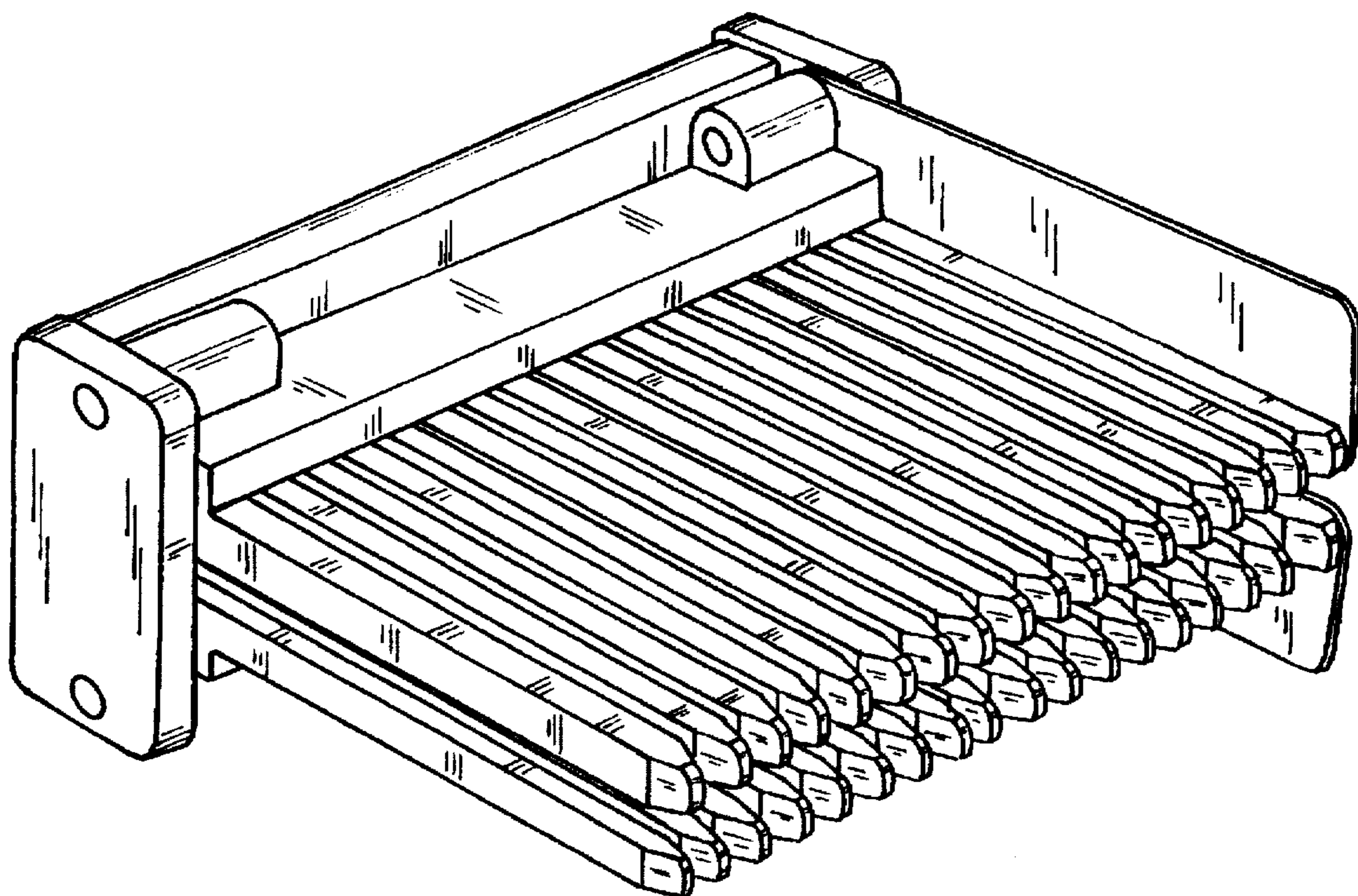


FIG. 4