

US00D389379S

# United States Patent [19] Samuels

[11] Patent Number: **Des. 389,379**  
[45] Date of Patent: **\*\*Jan. 20, 1998**

[54] **SHEET CAKE PLATE AND COVER**  
[76] Inventor: **Sara K. Samuels**, 8301 Trabue Rd.,  
Richmond, Va. 23235-2540  
[\*\*] Term: **14 Years**  
[21] Appl. No.: **60,323**  
[22] Filed: **Sep. 26, 1996**  
[51] LOC (6) Cl. .... **07-07**  
[52] U.S. Cl. .... **D7/610**  
[58] Field of Search ..... D7/610, 612-615,  
D7/538-542, 629; 206/551; 220/305, 780,  
792; D9/430-432

2,758,458 8/1956 Carlson .  
3,653,577 4/1972 Wyner ..... D7/610 X

### FOREIGN PATENT DOCUMENTS

1056730 2/1951 France .

*Primary Examiner*—Terry A. Wallace  
*Attorney, Agent, or Firm*—Dennis H. Lambert

### [57] CLAIM

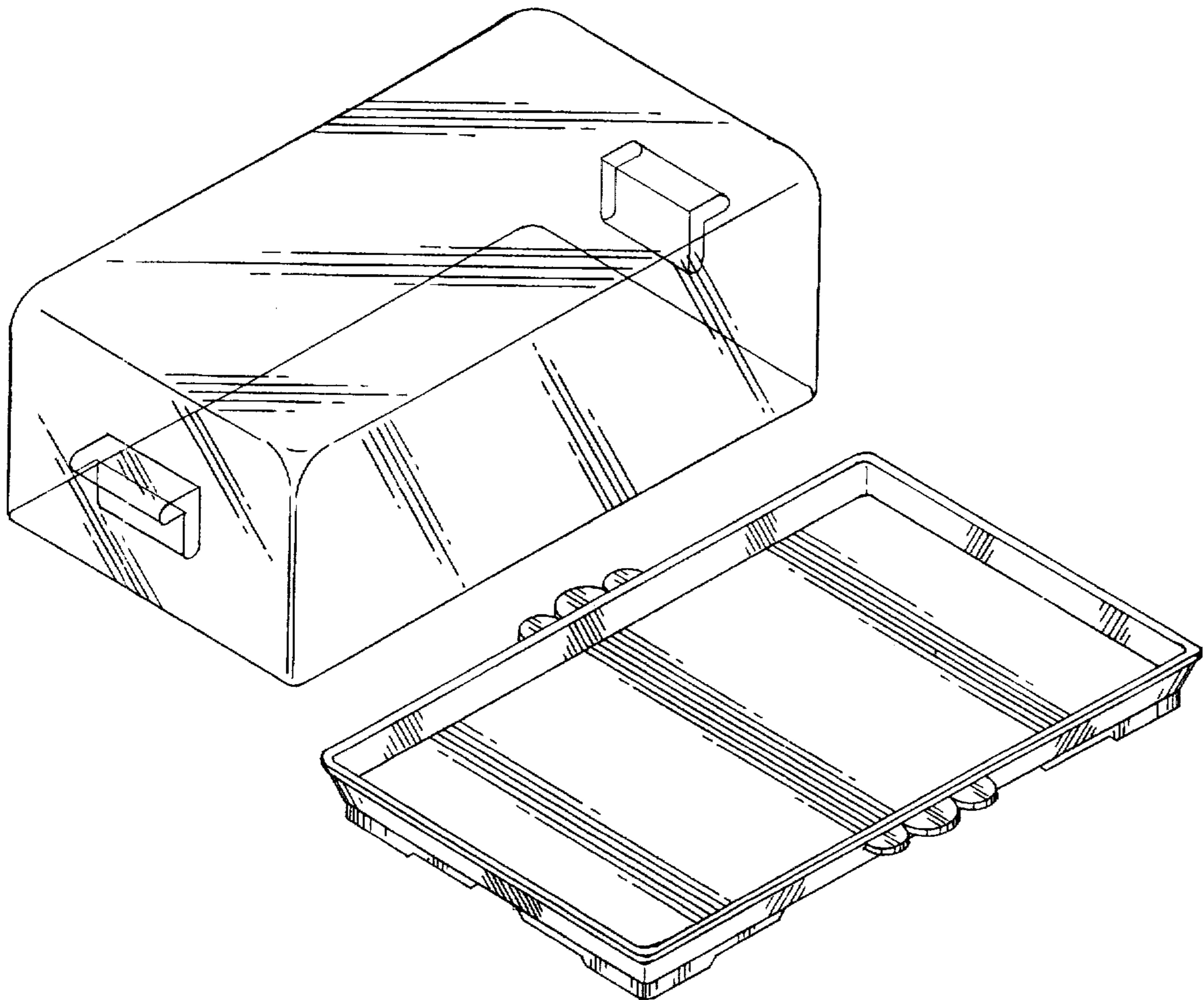
The ornamental design for a sheet cake plate and cover, as shown and described.

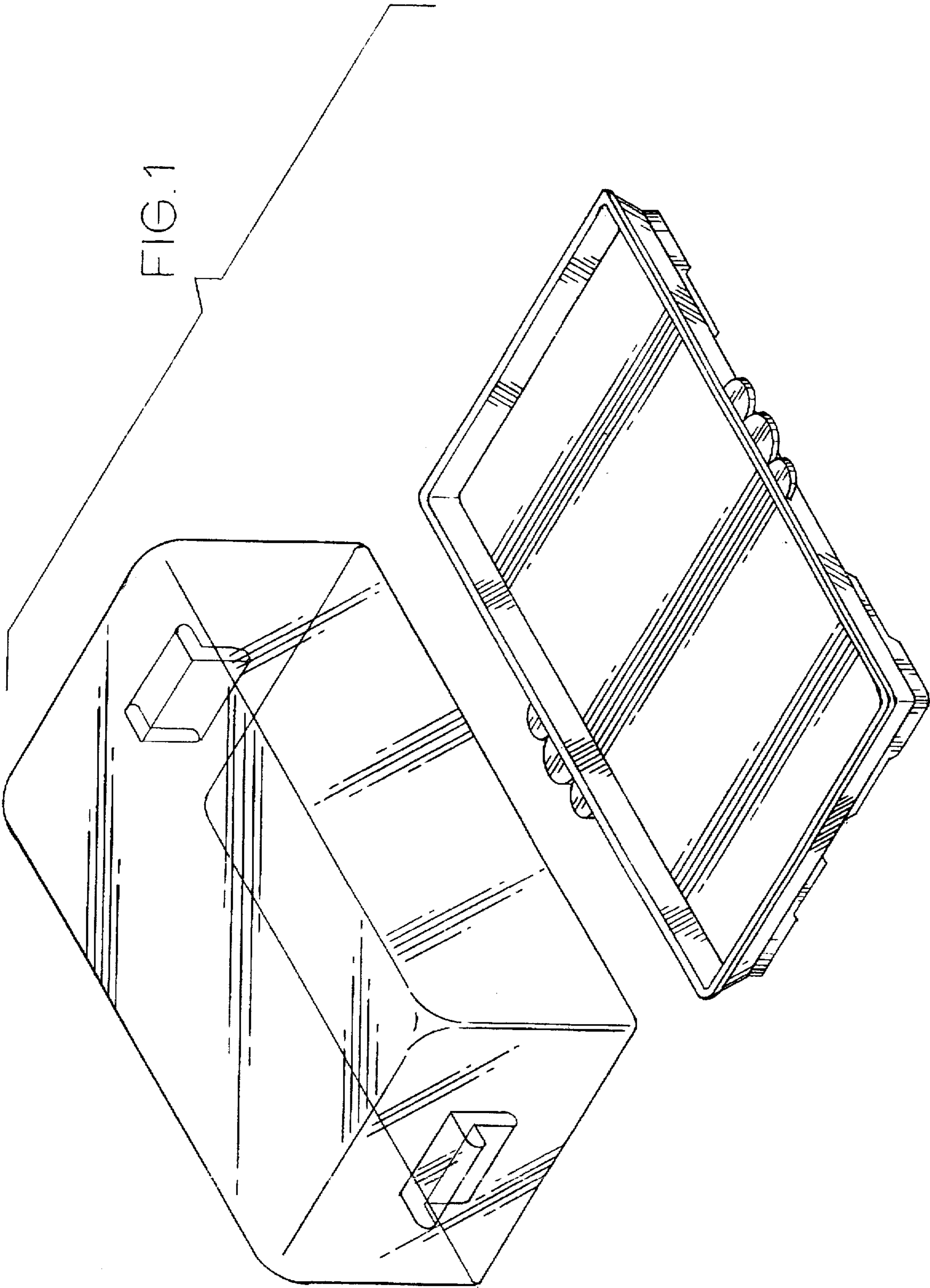
### DESCRIPTION

FIG. 1 is an exploded front, top and side perspective view of the sheet cake plate and cover showing my new design; FIG. 2 is an end elevational view thereof, the end opposite being a mirror image of the side shown in FIG. 2; FIG. 3 is a side elevational view thereof, the side opposite being a mirror image of the side shown in FIG. 3; FIG. 4 is a top plan view thereof; and, FIG. 5 is a bottom plan view thereof.

[56] **References Cited**  
**U.S. PATENT DOCUMENTS**  
D. 83,962 4/1931 Flanagan .  
D. 155,373 9/1949 Zaikaner .  
D. 207,496 4/1967 Swett .  
D. 208,063 7/1967 Swett .  
D. 235,406 6/1975 Daenen ..... D7/629  
1,929,139 10/1933 Eisenhower .

**1 Claim, 3 Drawing Sheets**





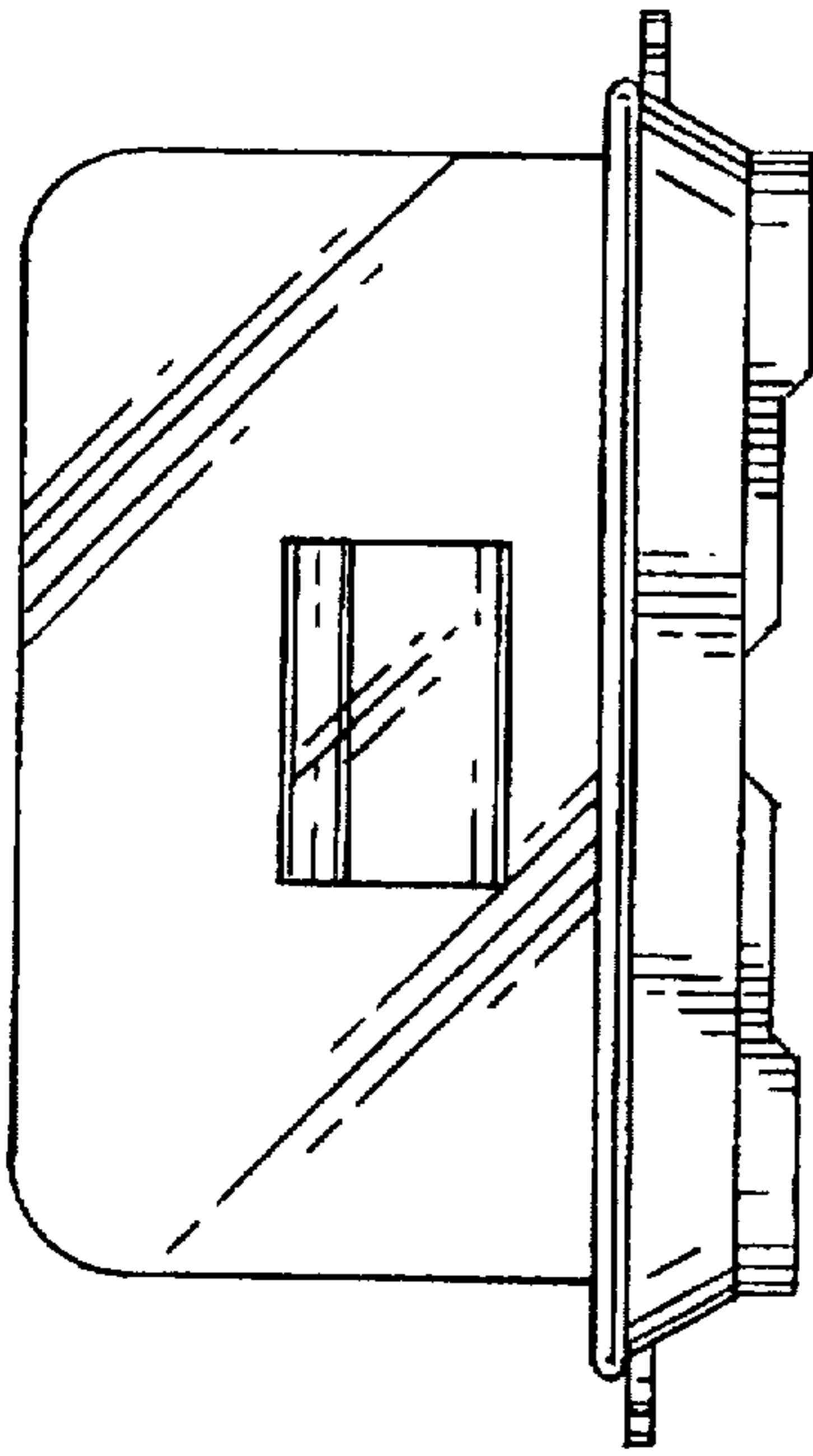


FIG. 2

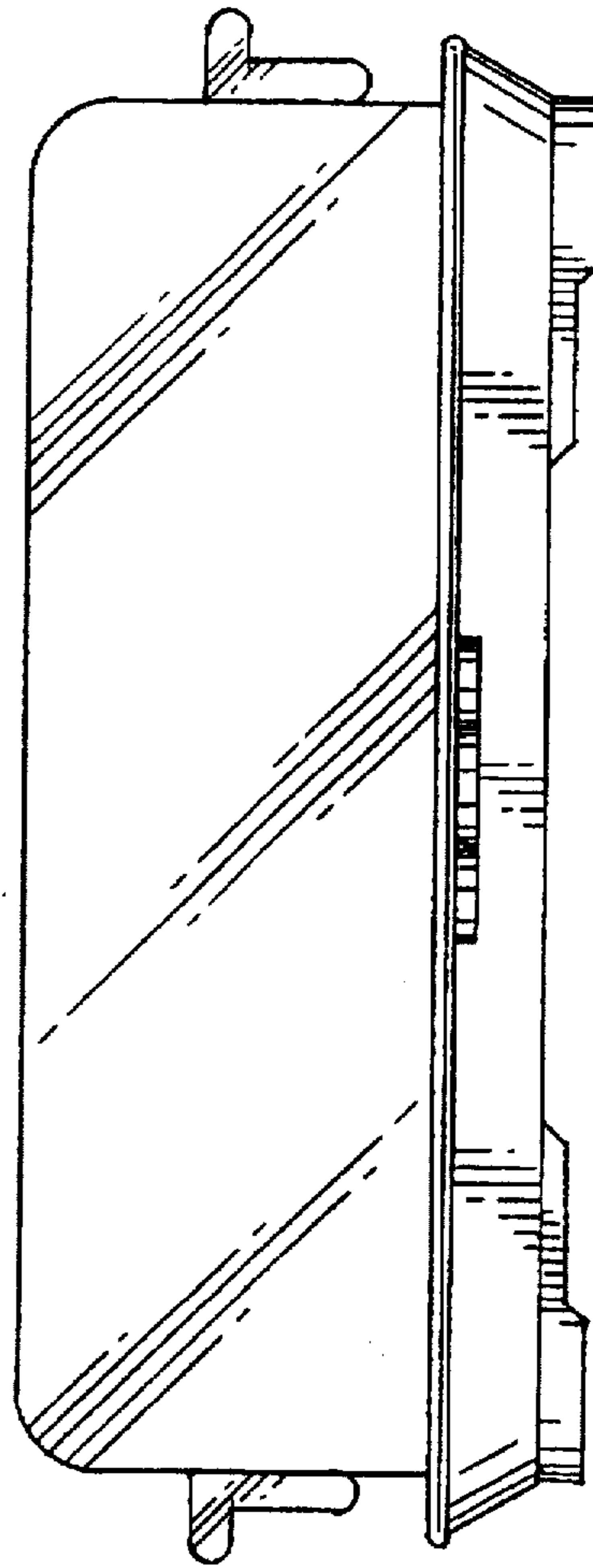


FIG. 3

FIG. 4

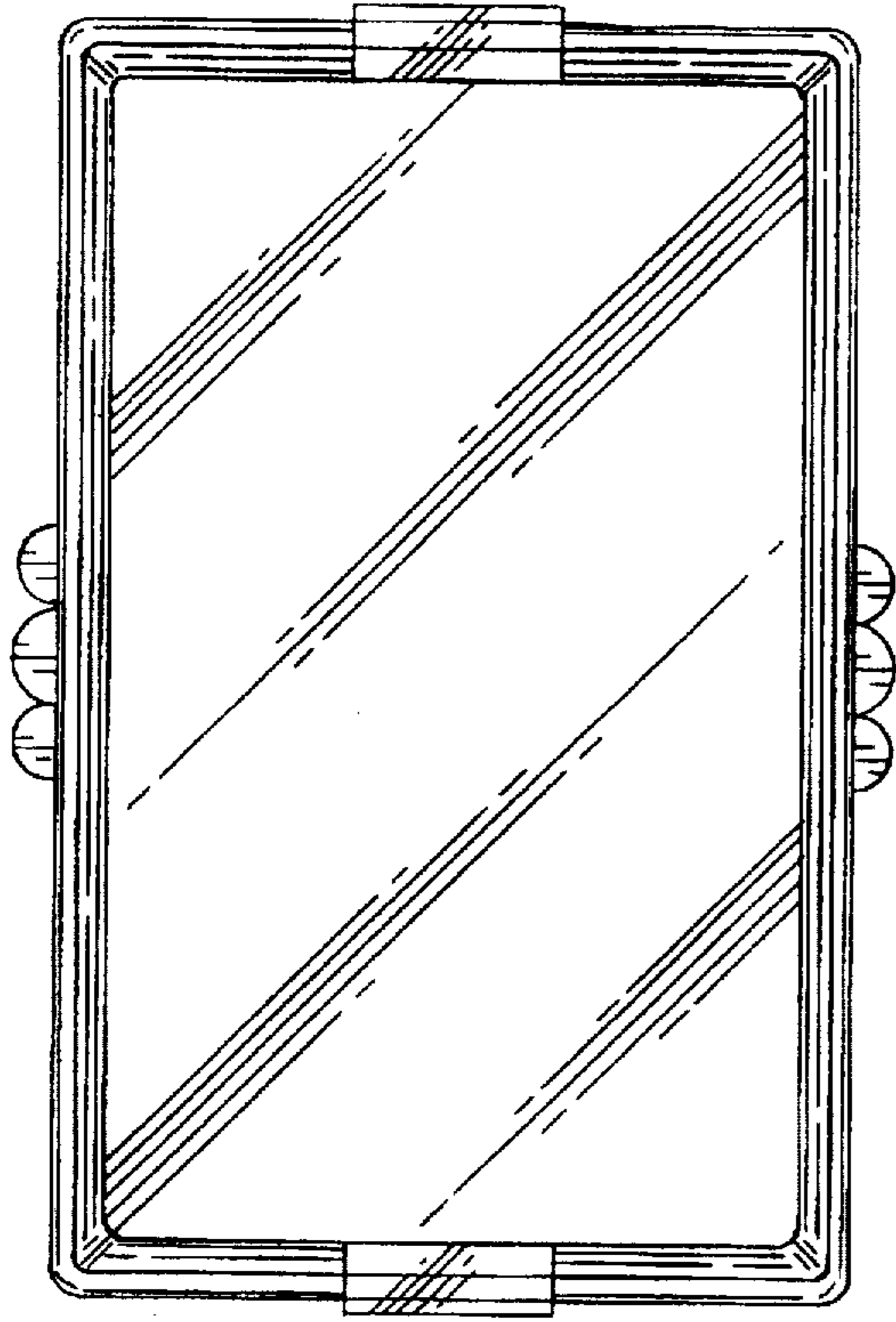


FIG. 5

