



US00D389378S

United States Patent [19]
Illingworth

[11] **Patent Number:** **Des. 389,378**
[45] **Date of Patent:** ****Jan. 20, 1998**

[54] **PLATE**

[76] **Inventor:** **Kay Illingworth**, 118 Long Lane,
Charlesworth Via Hyde Cheshire SK14
6ES, Great Britain

[**] **Term:** **14 Years**

[21] **Appl. No.:** **64,281**

[22] **Filed:** **Dec. 26, 1996**

[30] **Foreign Application Priority Data**

Jun. 27, 1996 [GB] United Kingdom 2057287

[51] **LOC (6) Cl.** **07-01**

[52] **U.S. Cl.** **D7/571; D7/564; D7/560**

[58] **Field of Search** **D7/587, 571, 580,**
D7/551, 586, 552, 564, 565, 544, 560

[56] **References Cited**

U.S. PATENT DOCUMENTS

D. 186,852 12/1959 Stickney et al. D7/560

D. 188,127 6/1960 Libera D7/587 X
D. 231,889 6/1974 Krieger et al. D7/551
D. 251,228 3/1979 Block et al. D7/551
D. 338,596 8/1993 Cafarella et al. D7/551
D. 378,886 4/1997 Joyce D7/587 X

Primary Examiner—M. N. Pandozzi
Attorney, Agent, or Firm—Adams Law Firm, P.A.

[57] **CLAIM**

The ornamental design for a plate, as shown and described.

DESCRIPTION

FIG. 1 is a perspective view of the plate;
FIG. 2 is a bottom plan view thereof;
FIG. 3 is a top plan view thereof;
FIG. 4 is a side view thereof; and,
FIG. 5 is a cross section view thereof, along line 5—5 as
shown in FIG. 3.

1 Claim, 2 Drawing Sheets

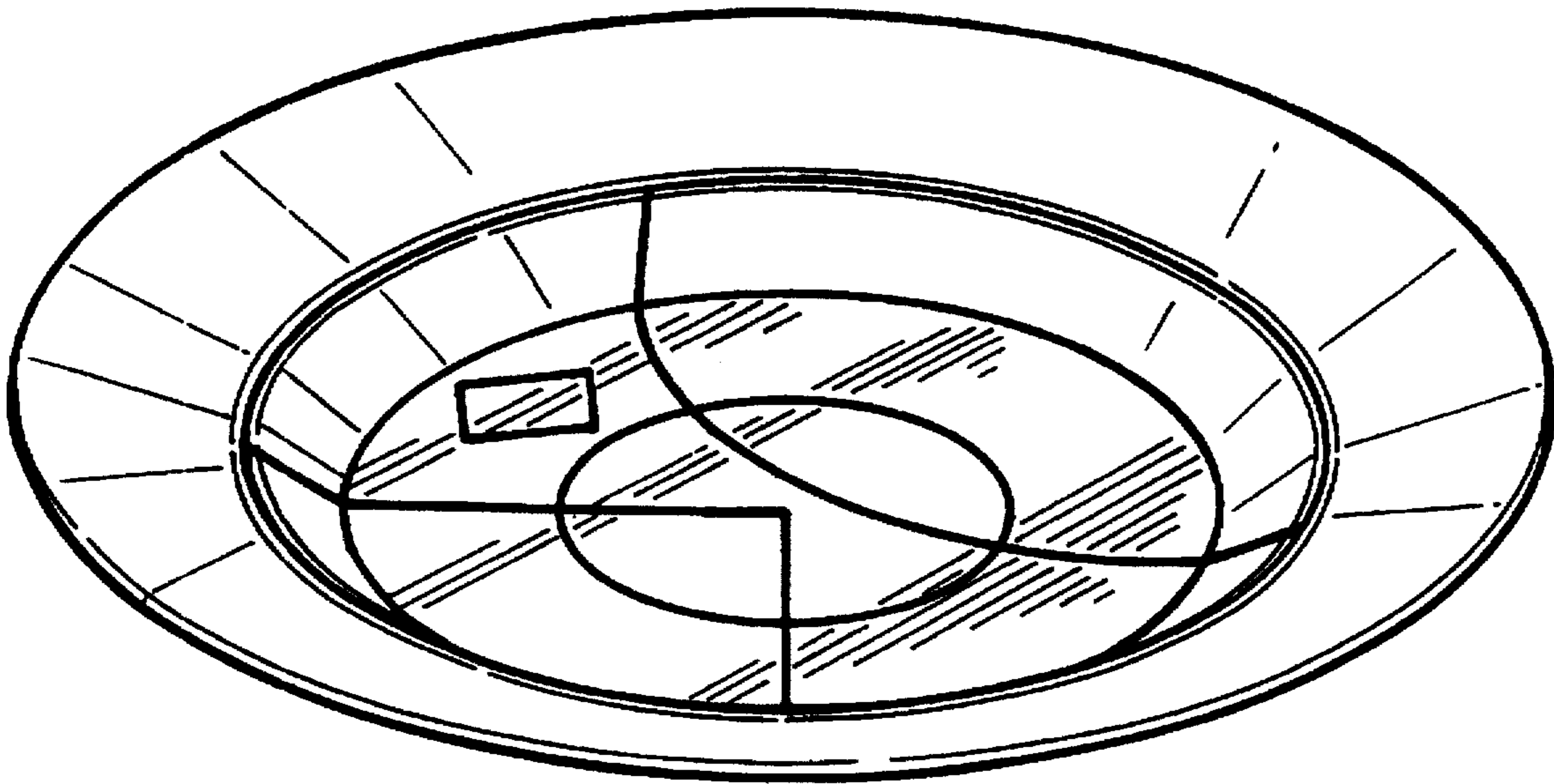


FIG. 1

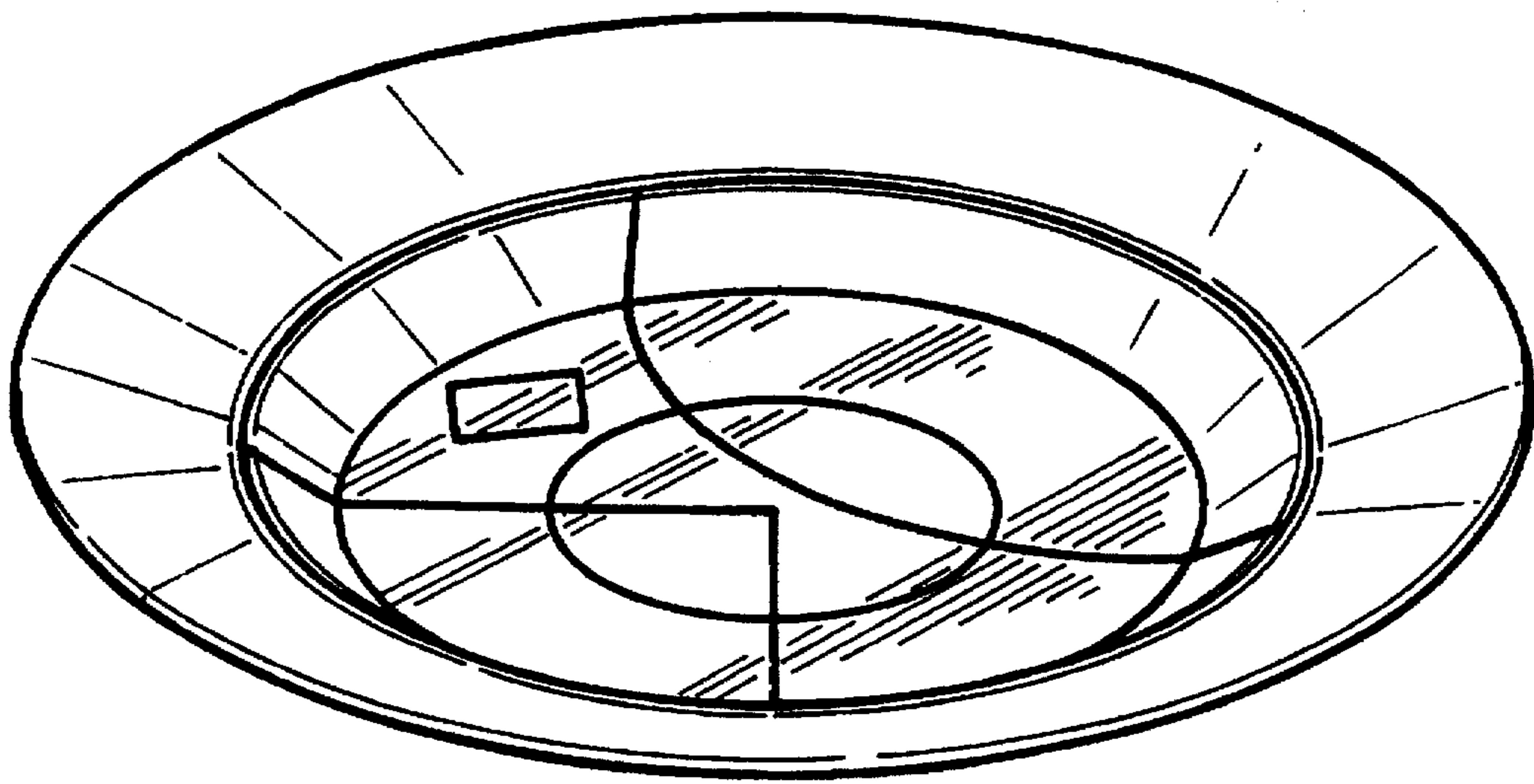


FIG. 2

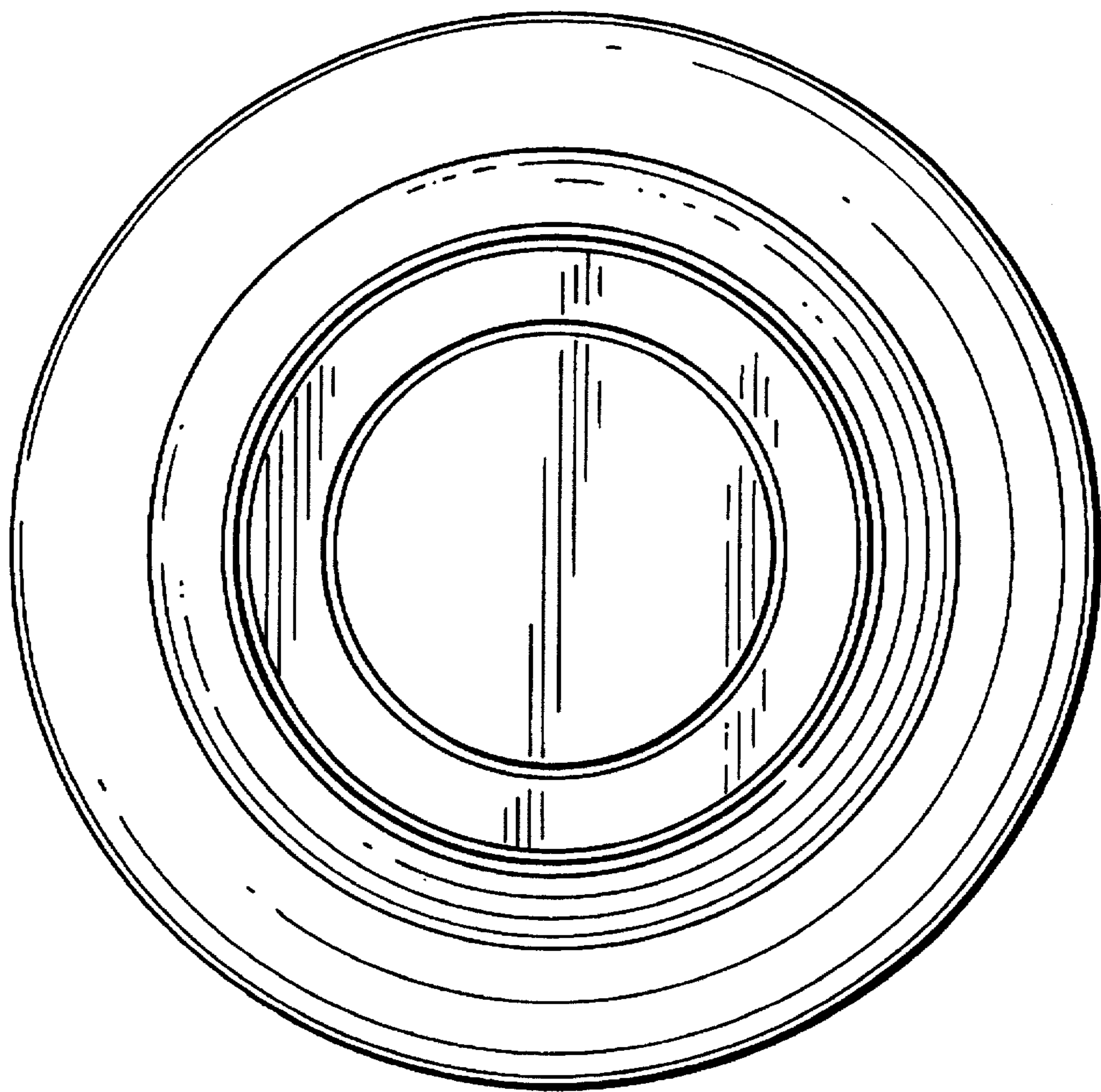


FIG. 3

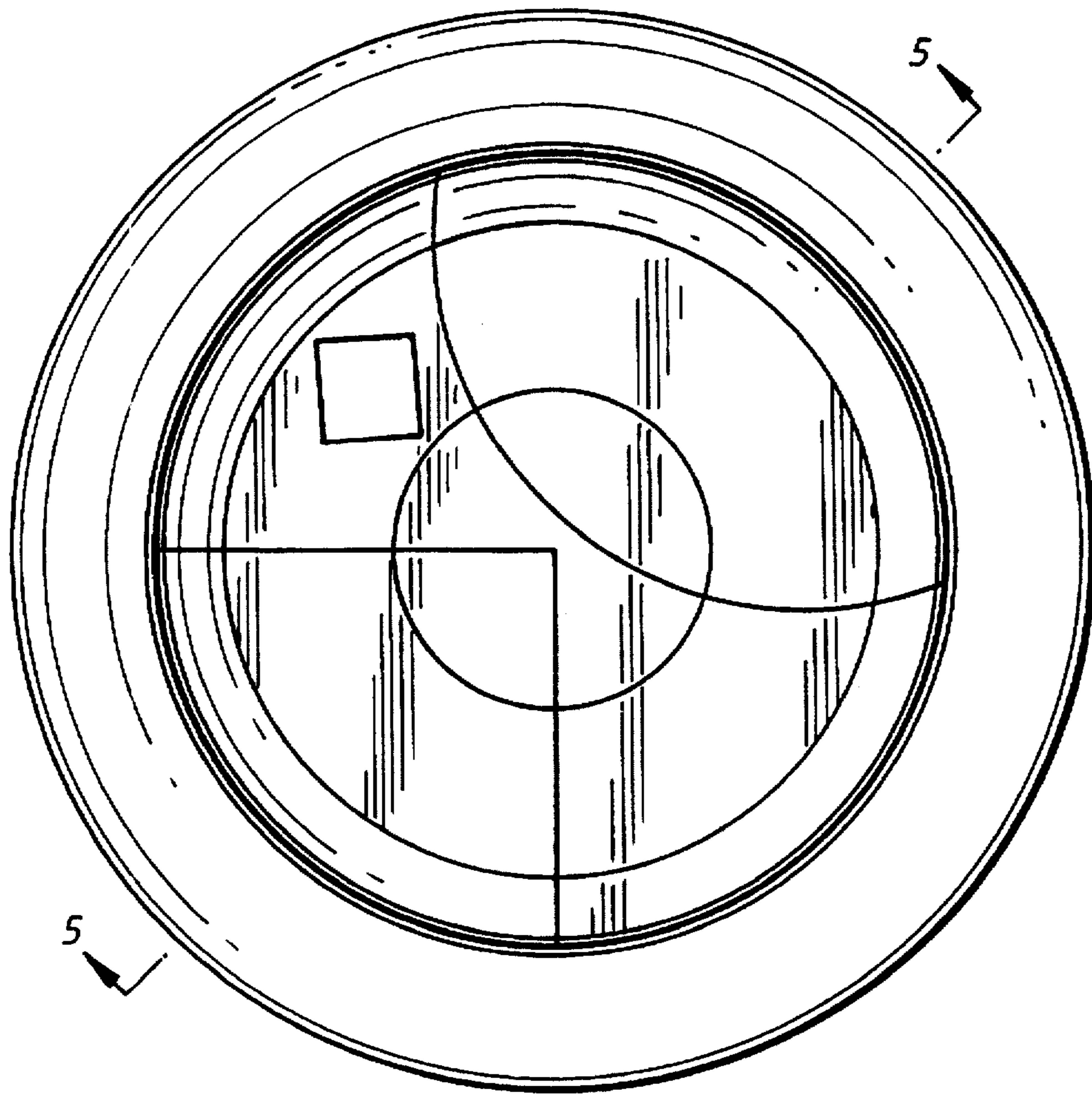


FIG. 4

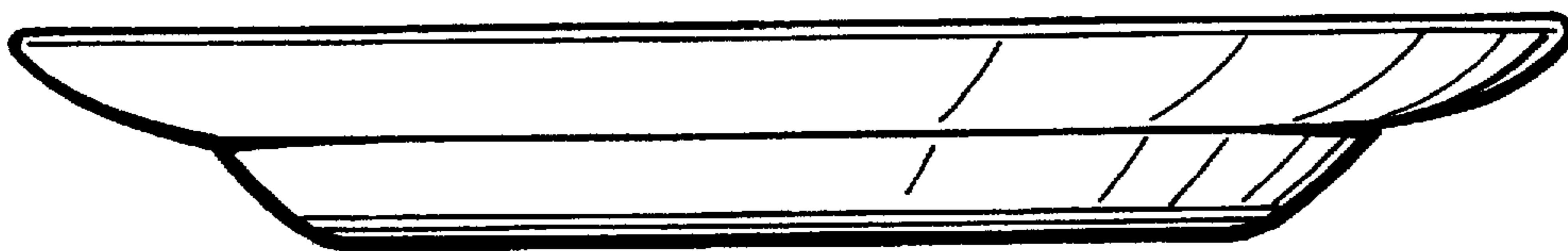


FIG. 5

