



US00D389374S

# United States Patent [19] Miller

[11] Patent Number: **Des. 389,374**  
[45] Date of Patent: **\*\*Jan. 20, 1998**

[54] **OVEN GRATE**  
[75] Inventor: **Lisa M. Miller**, Iowa City, Iowa  
[73] Assignee: **Maytag Corporation**, Newton, Iowa  
[\*\*] Term: **14 Years**  
[21] Appl. No.: **57,178**  
[22] Filed: **Jul. 18, 1996**  
[51] LOC (6) Cl. .... **07-02**  
[52] U.S. Cl. .... **D7/408**  
[58] Field of Search ..... **D7/402, 407-409;**  
**126/214 C, 214 R, 39 E; D23/402**

D. 372,630	8/1996	Lewis et al. ....	D7/346
1,697,184	1/1929	Harner et al. ....	D7/408
2,430,079	11/1947	Reeves .....	126/214
2,887,103	5/1959	Reeves .....	D7/408
3,198,189	8/1965	Oatley .....	126/24
3,417,886	12/1968	Bales .....	99/425
3,745,912	7/1973	Field .....	99/446
4,448,186	5/1984	Smith .....	D7/408
5,445,066	8/1995	Rosset .....	99/446

*Primary Examiner*—Ruth McInroy  
*Attorney, Agent, or Firm*—Zarley, McKee Thomte,  
Voorhees & Sease

### [57] CLAIM

The ornamental design for an oven grate, as shown and described.

### [56] References Cited

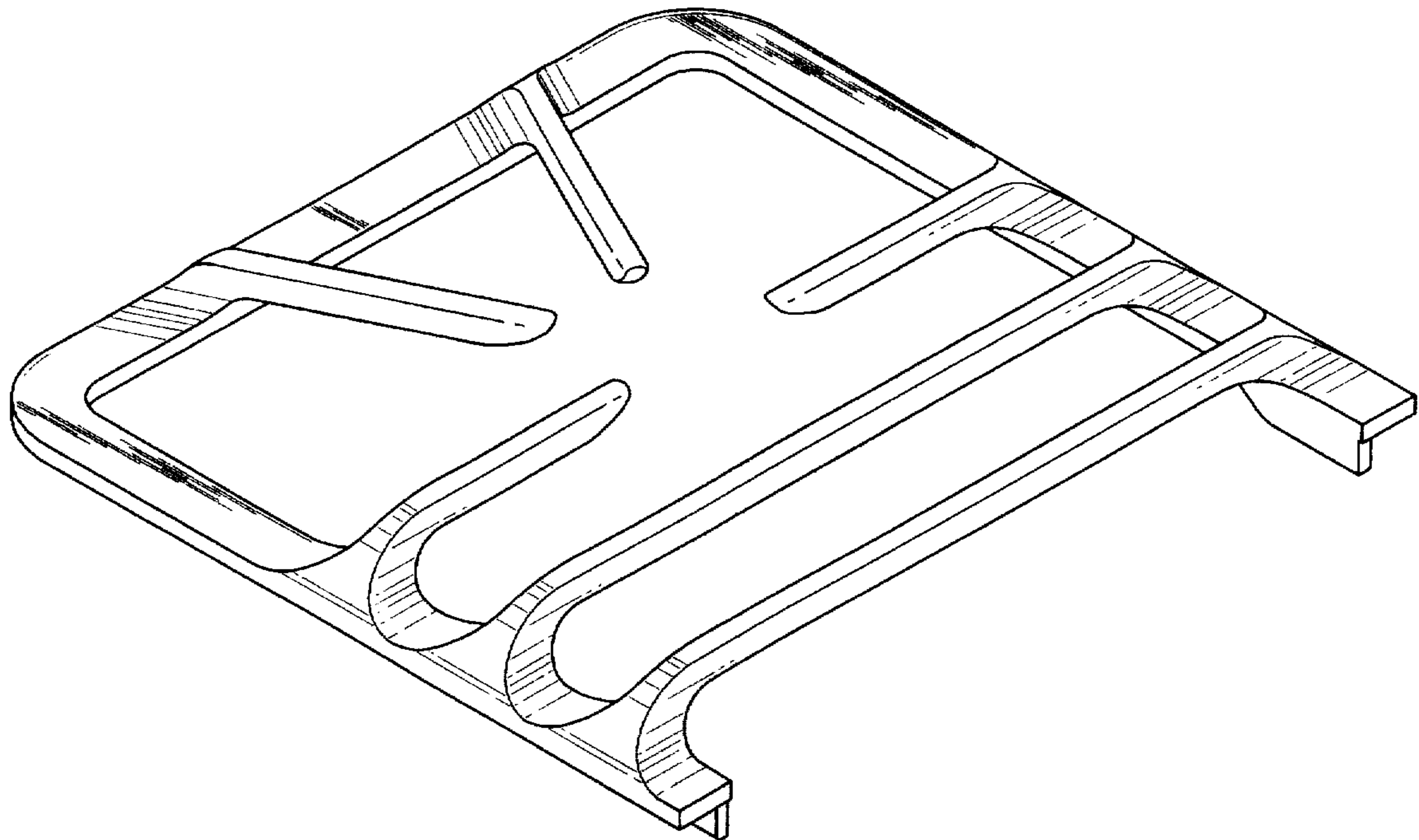
#### U.S. PATENT DOCUMENTS

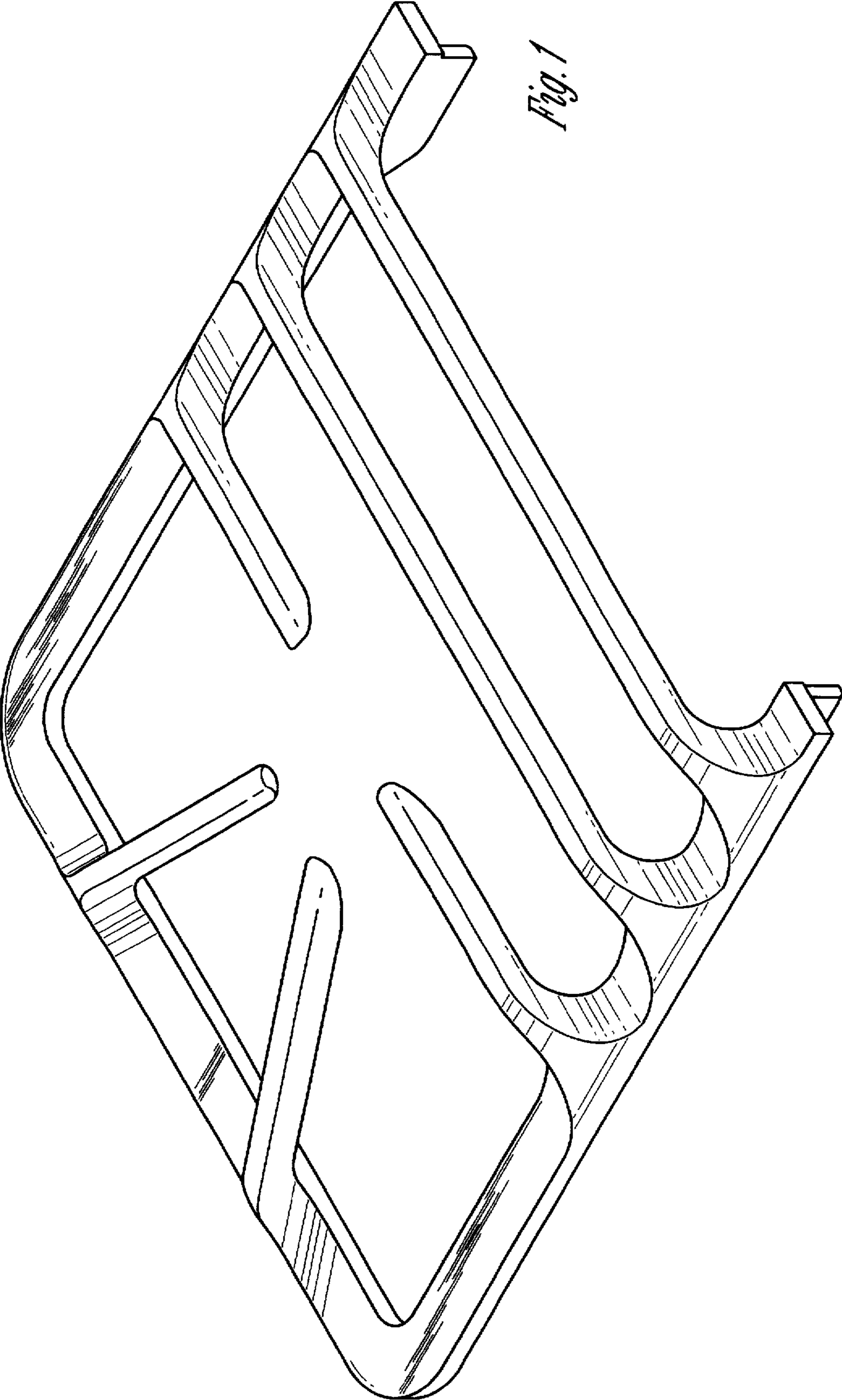
D. 64,935	6/1924	Sherman .....	D7/408
D. 68,133	9/1925	Cooney .....	D7/408
D. 209,436	11/1967	Myler .....	D7/408
D. 301,534	6/1989	Binzer .....	D7/408
D. 303,604	9/1989	Beach et al. ....	D7/346
D. 303,609	9/1989	Binzer .....	D7/408
D. 343,336	1/1994	Falk .....	D7/407
D. 353,300	12/1994	Edman et al. ....	D7/408
D. 364,535	11/1995	Moore .....	D7/409
D. 367,802	3/1996	Lewis et al. ....	D7/408
D. 369,062	4/1996	Holbrook, Jr. ....	D7/408
D. 371,277	7/1996	Pink .....	D7/408

### DESCRIPTION

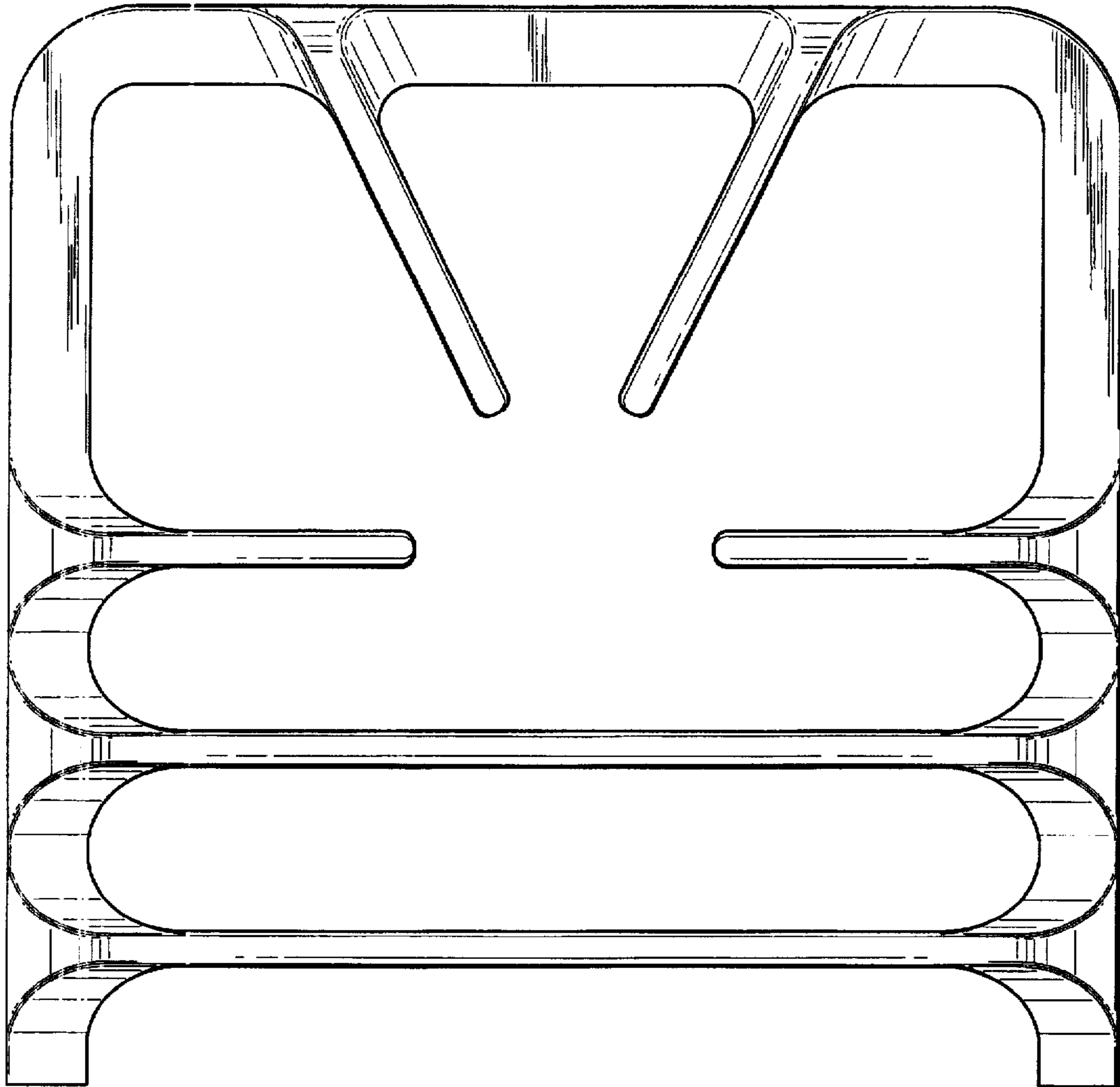
FIG. 1 is a perspective view of an oven grate showing my new design;  
FIG. 2 is a top plan view thereof;  
FIG. 3 is a bottom plan view thereof;  
FIG. 4 is a side elevational view thereof, the opposite side being a mirror image;  
FIG. 5 is an end elevational view thereof; and,  
FIG. 6 is an end elevational view of the opposite end of FIG. 5.

**1 Claim, 4 Drawing Sheets**

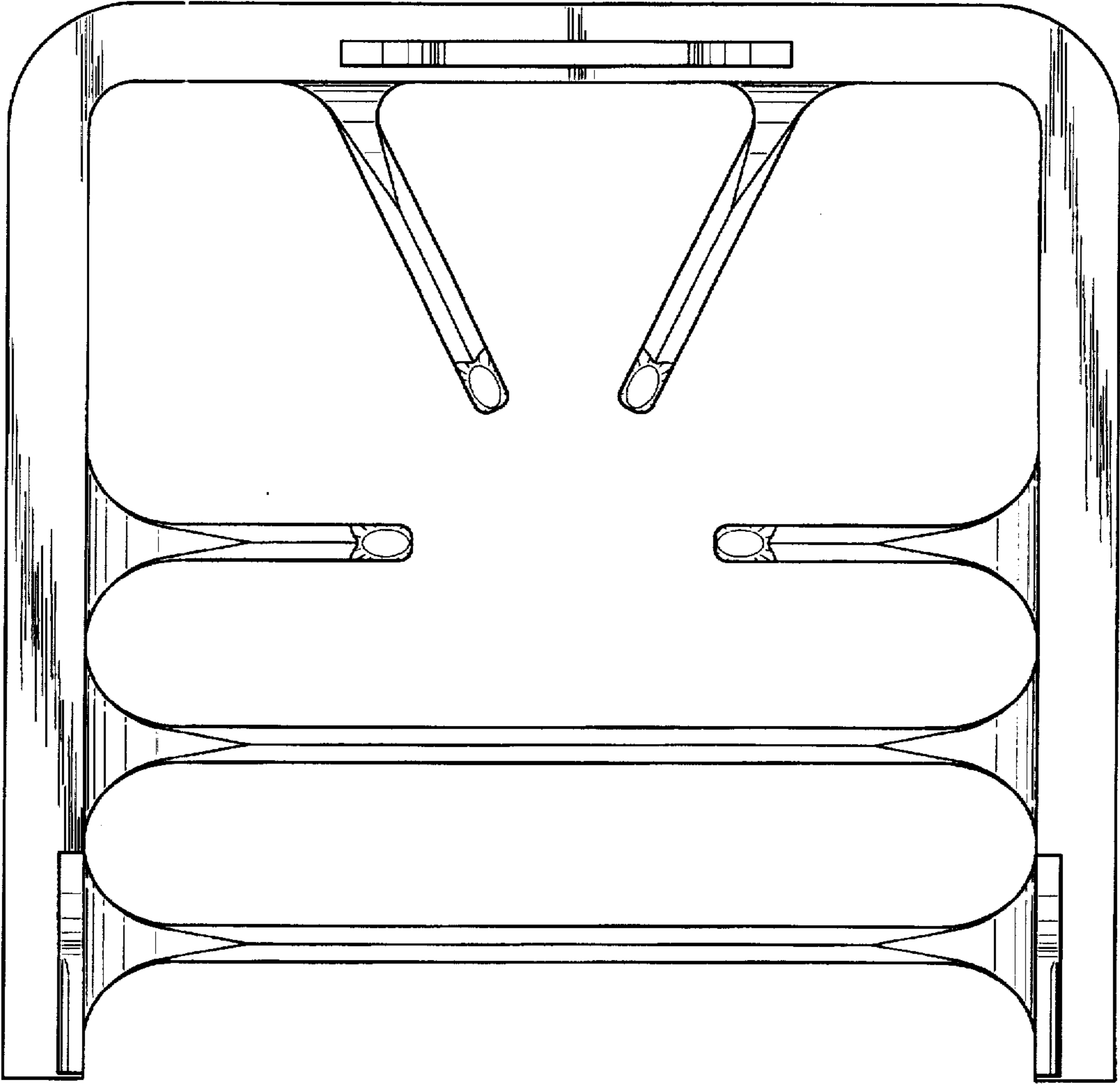




*Fig. 1*

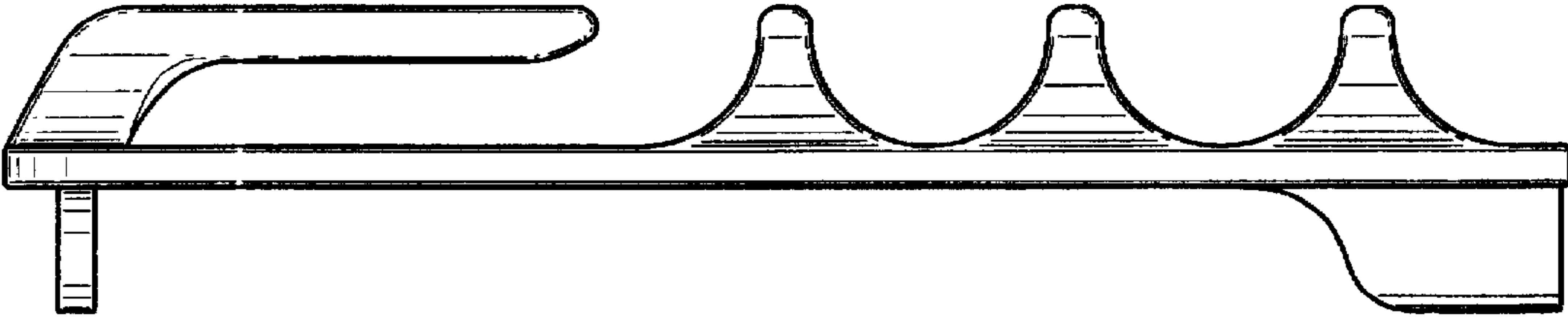


*Fig. 2*

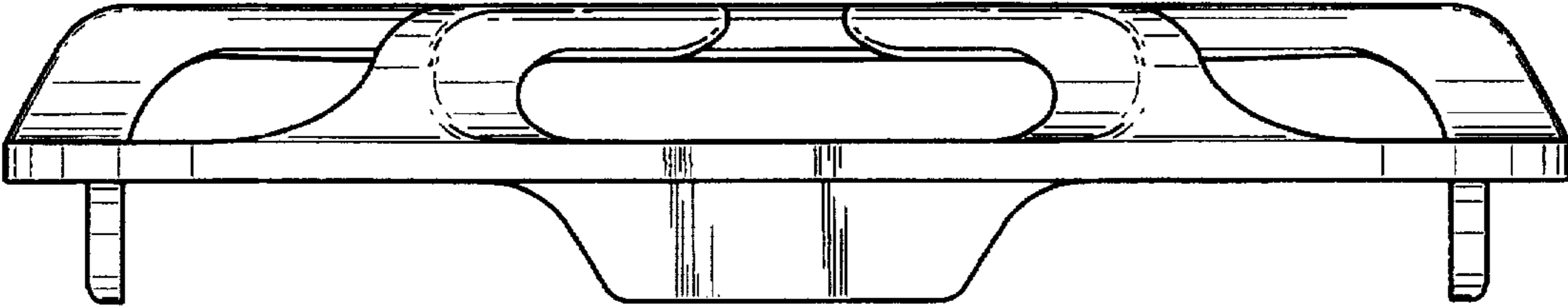


*Fig. 3*

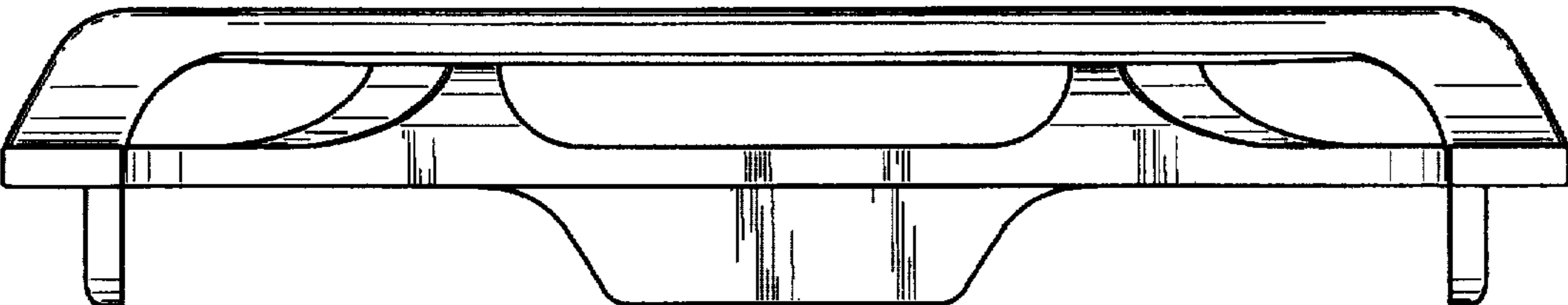




*Fig. 4*



*Fig. 5*



*Fig. 6*