



US00D389372S

# United States Patent [19] Saltet

[11] Patent Number: Des. 389,372  
[45] Date of Patent: \*\*Jan. 20, 1998

[54] **ELECTRIC GRILL**

[75] Inventor: **Philippe Saltet**, Paris, France

[73] Assignee: **Moulinex S.A.**, Paris, France

[\*\*] Term: **14 Years**

[21] Appl. No.: **59,139**

[22] Filed: **Aug. 28, 1996**

[30] **Foreign Application Priority Data**

Feb. 28, 1996 [FR] France ..... 96 1251

[51] LOC (6) Cl. .... **07-02**

[52] U.S. Cl. .... **D7/352**

[58] Field of Search ..... D7/323, 352; 99/372,  
99/374, 375, 380, 382, 384; 219/524, 525

[56] **References Cited**

**U.S. PATENT DOCUMENTS**

D. 274,113 6/1984 Steinkamp ..... D7/352

D. 278,305 4/1985 Madl et al. .... D7/352

D. 341,987 12/1993 Erickson ..... D7/352  
D. 342,417 12/1993 McClean ..... D7/352  
D. 346,304 4/1994 Naft et al. .... D7/352  
D. 367,993 3/1996 McClean ..... D7/352  
D. 367,994 3/1996 Bloom et al. .... D7/352

*Primary Examiner*—Ruth McInroy  
*Attorney, Agent, or Firm*—Young & Thompson

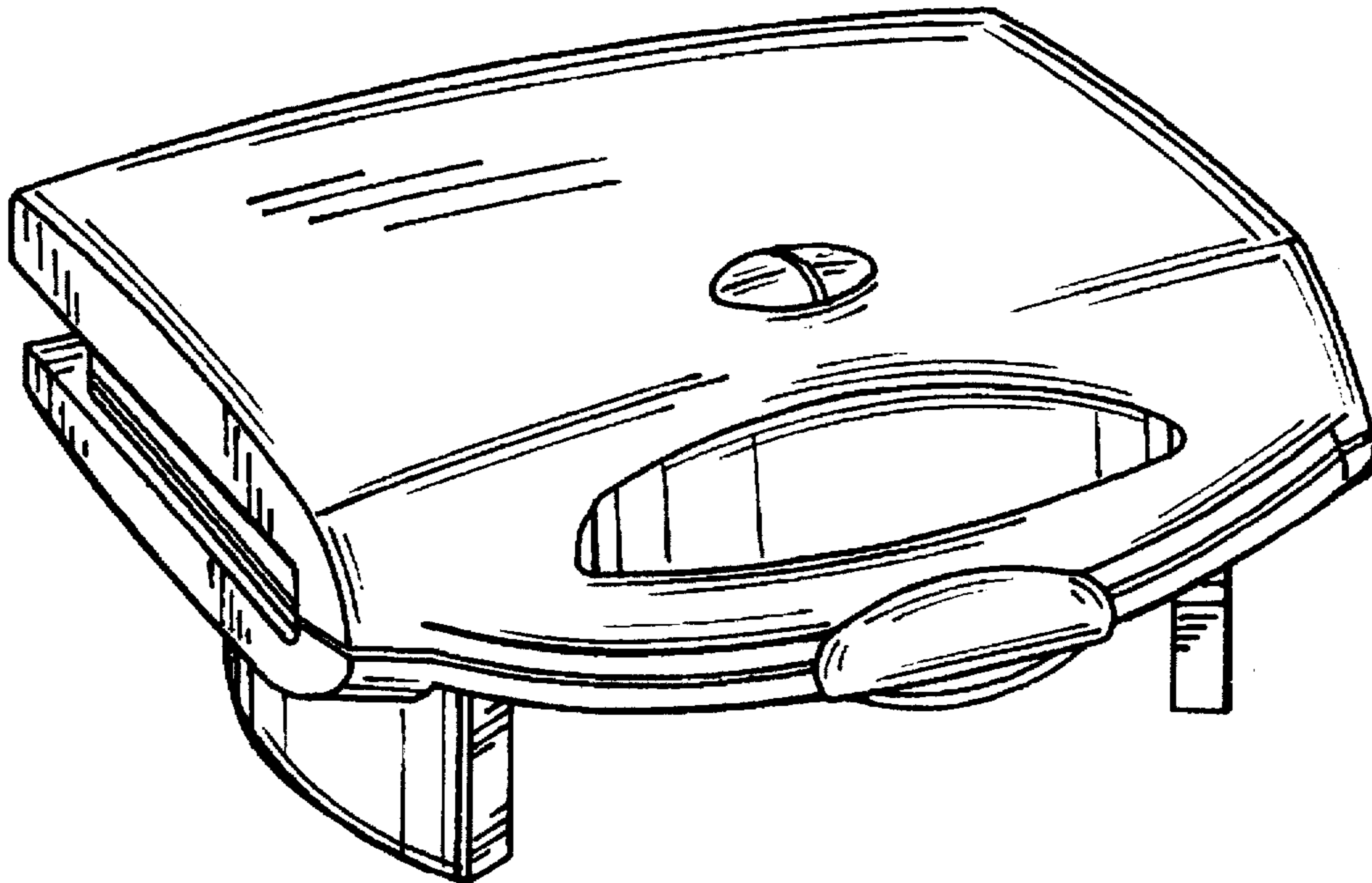
[57] **CLAIM**

The ornamental design for an electric grill, as shown.

**DESCRIPTION**

FIG. 1 is a top, front and side perspective view of an electric grill showing my new design;  
FIG. 2 is a front elevational view thereof;  
FIG. 3 is a side elevational view thereof from the left of FIG. 2;  
FIG. 4 is a side elevational view thereof from the right of FIG. 2;  
FIG. 5 is a rear elevational view thereof;  
FIG. 6 is a top plan view thereof; and,  
FIG. 7 is a bottom plan view thereof.

**1 Claim, 3 Drawing Sheets**



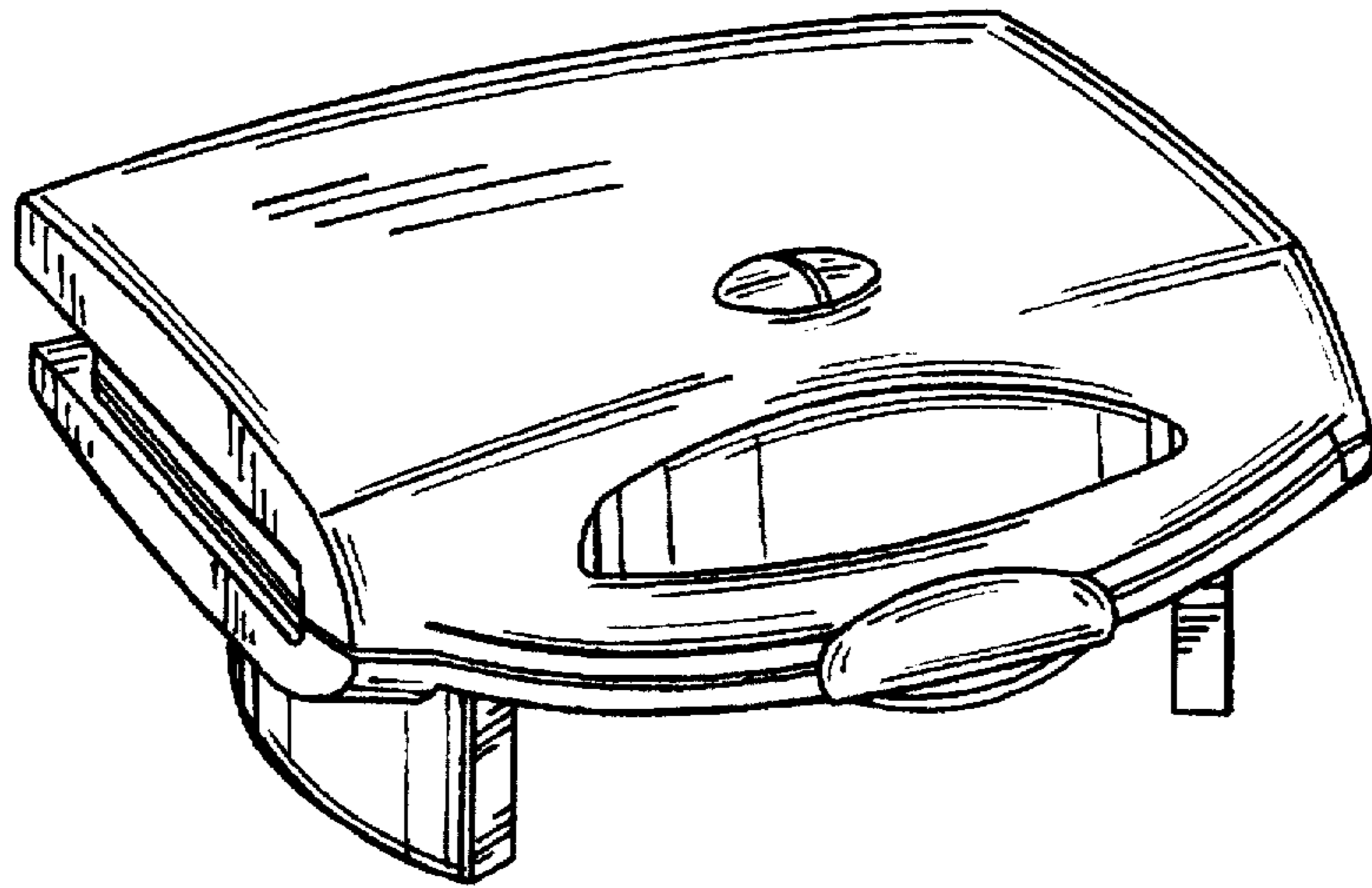


FIG. 1

FIG. 3

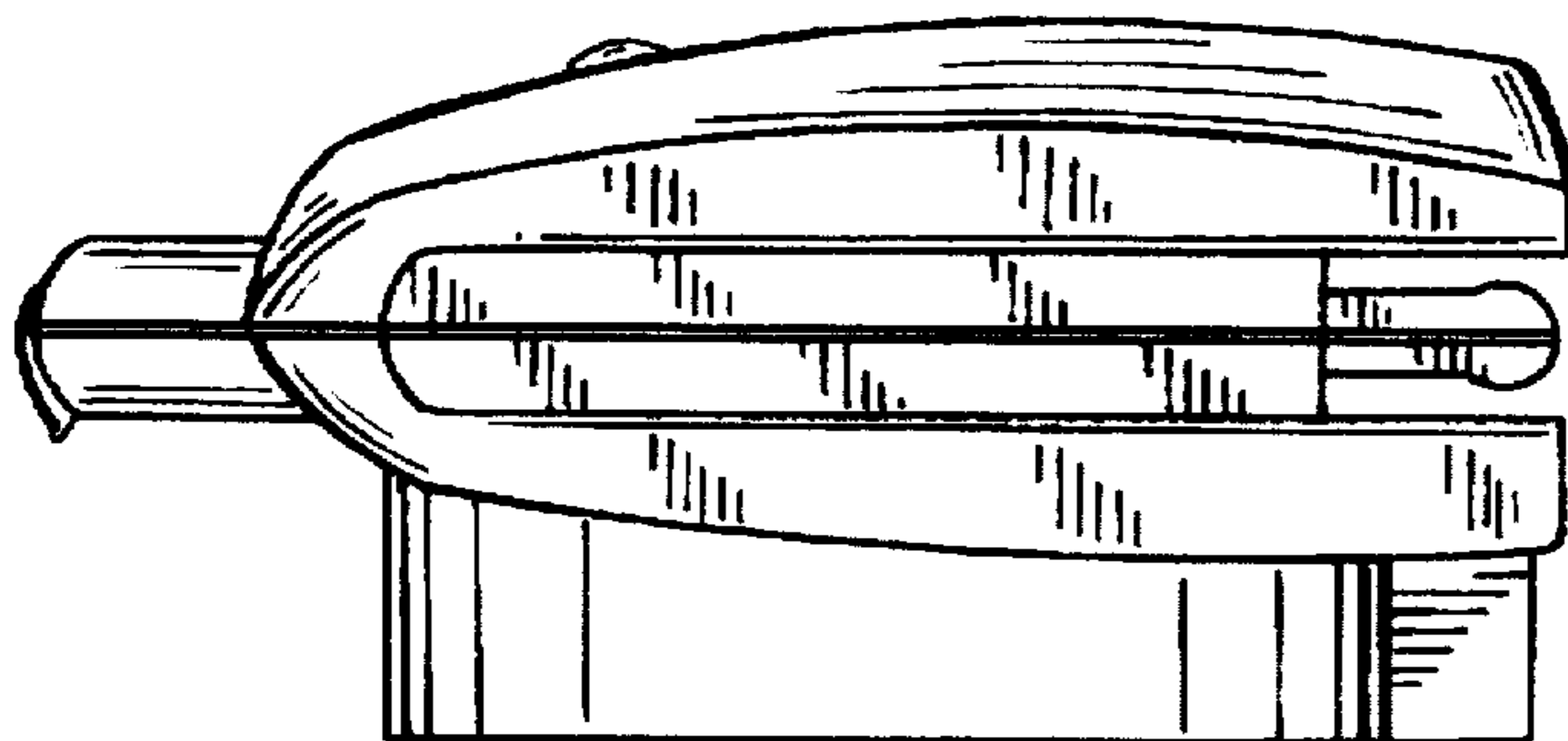
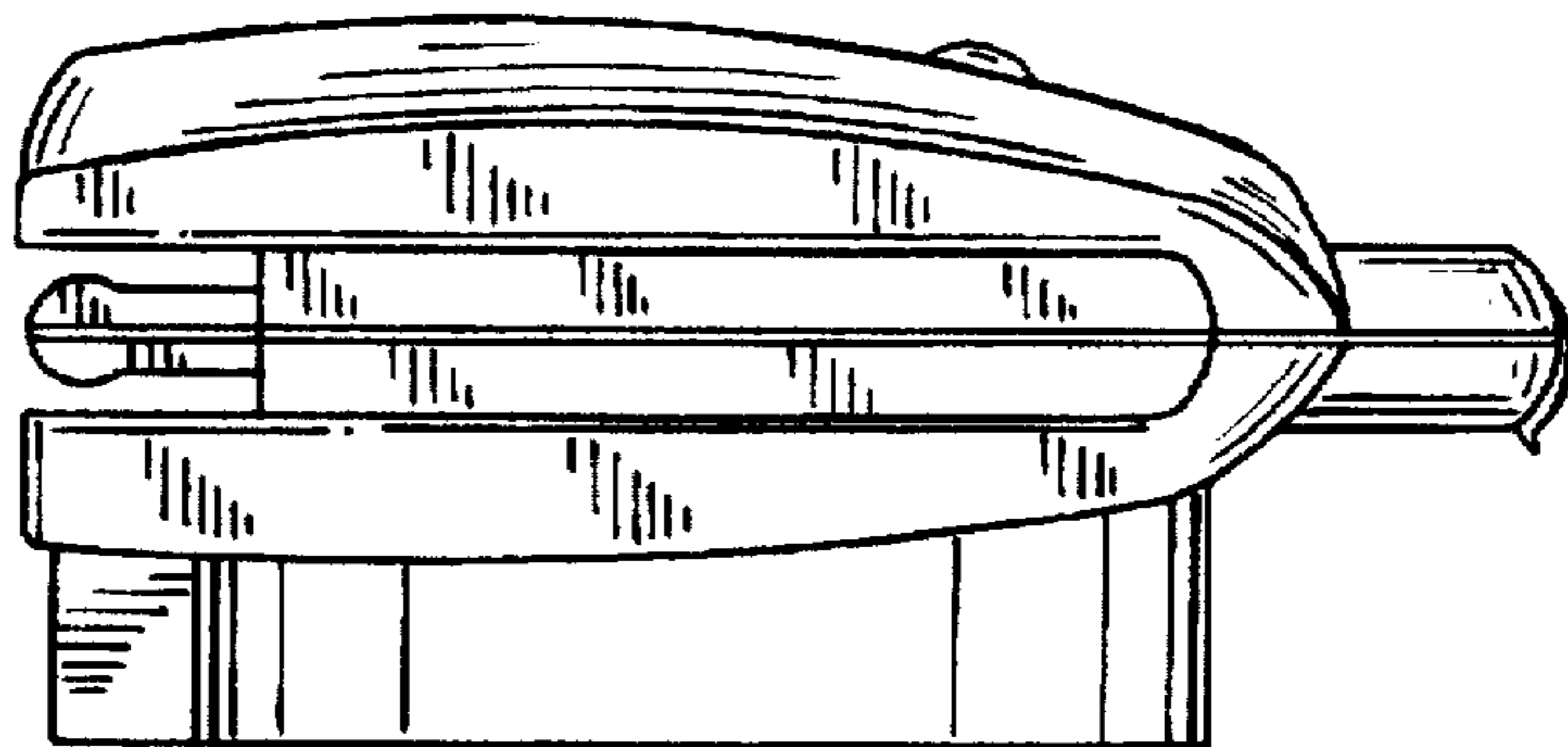


FIG. 4

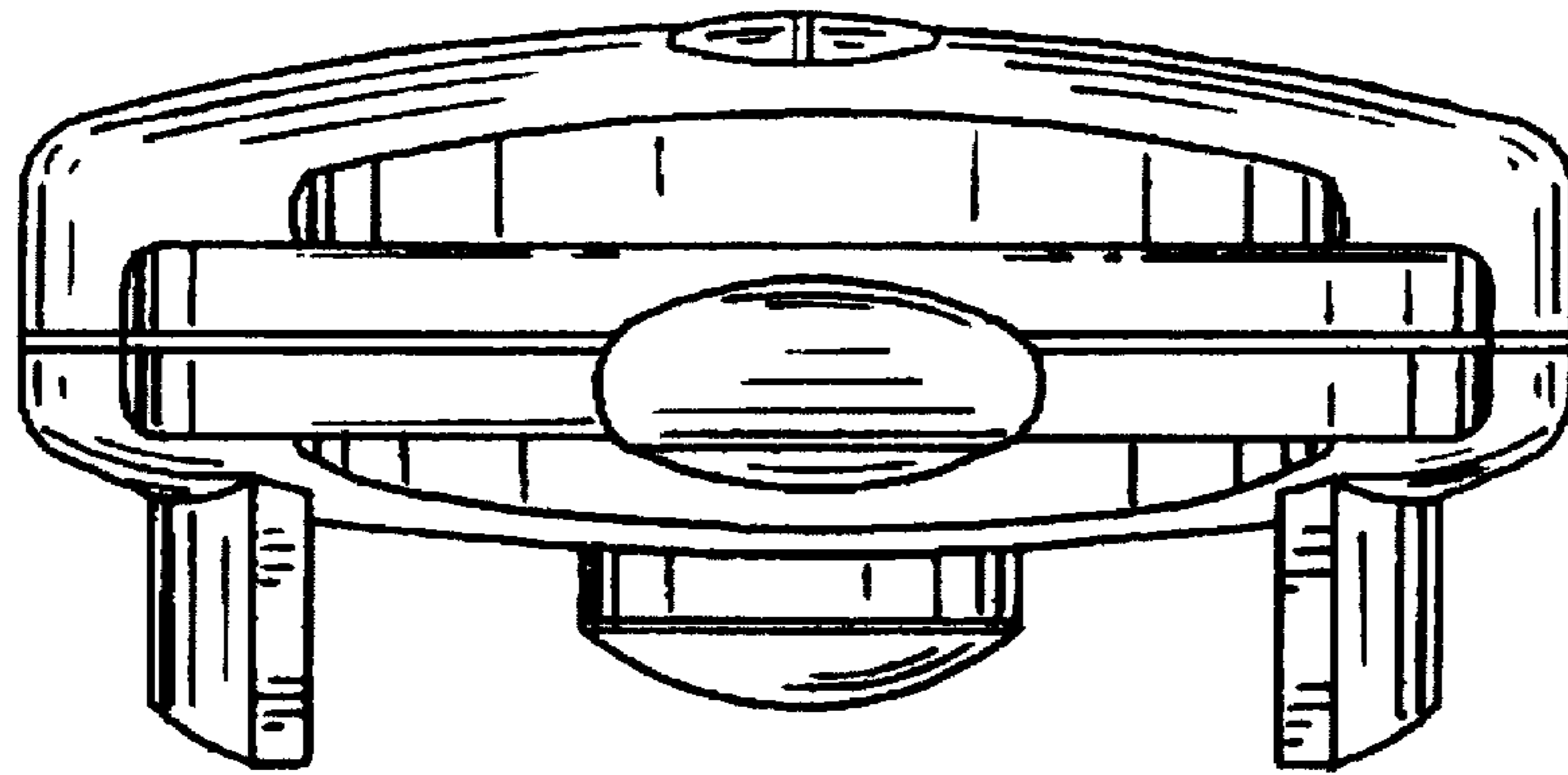


FIG. 2

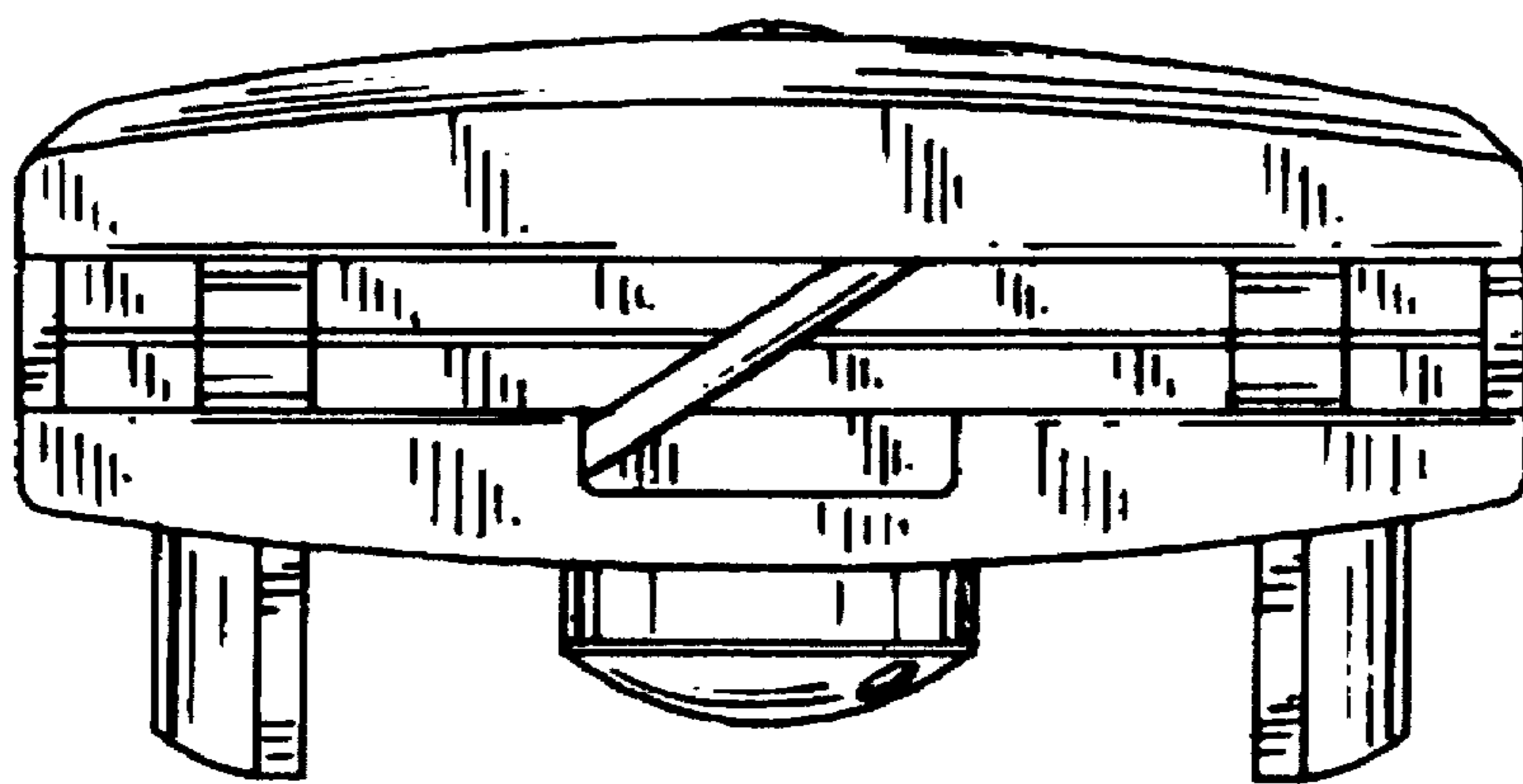


FIG. 5

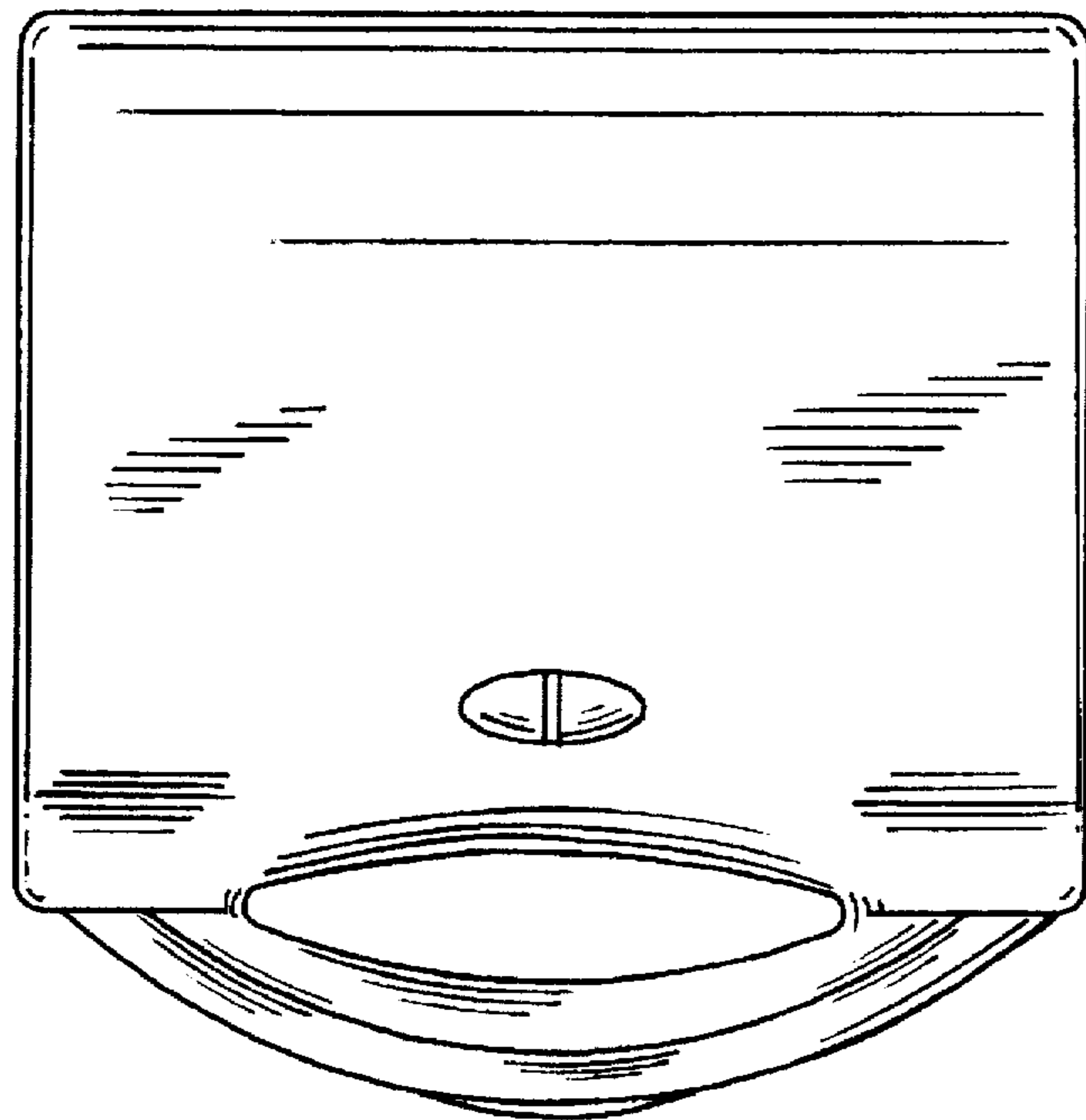


FIG. 6

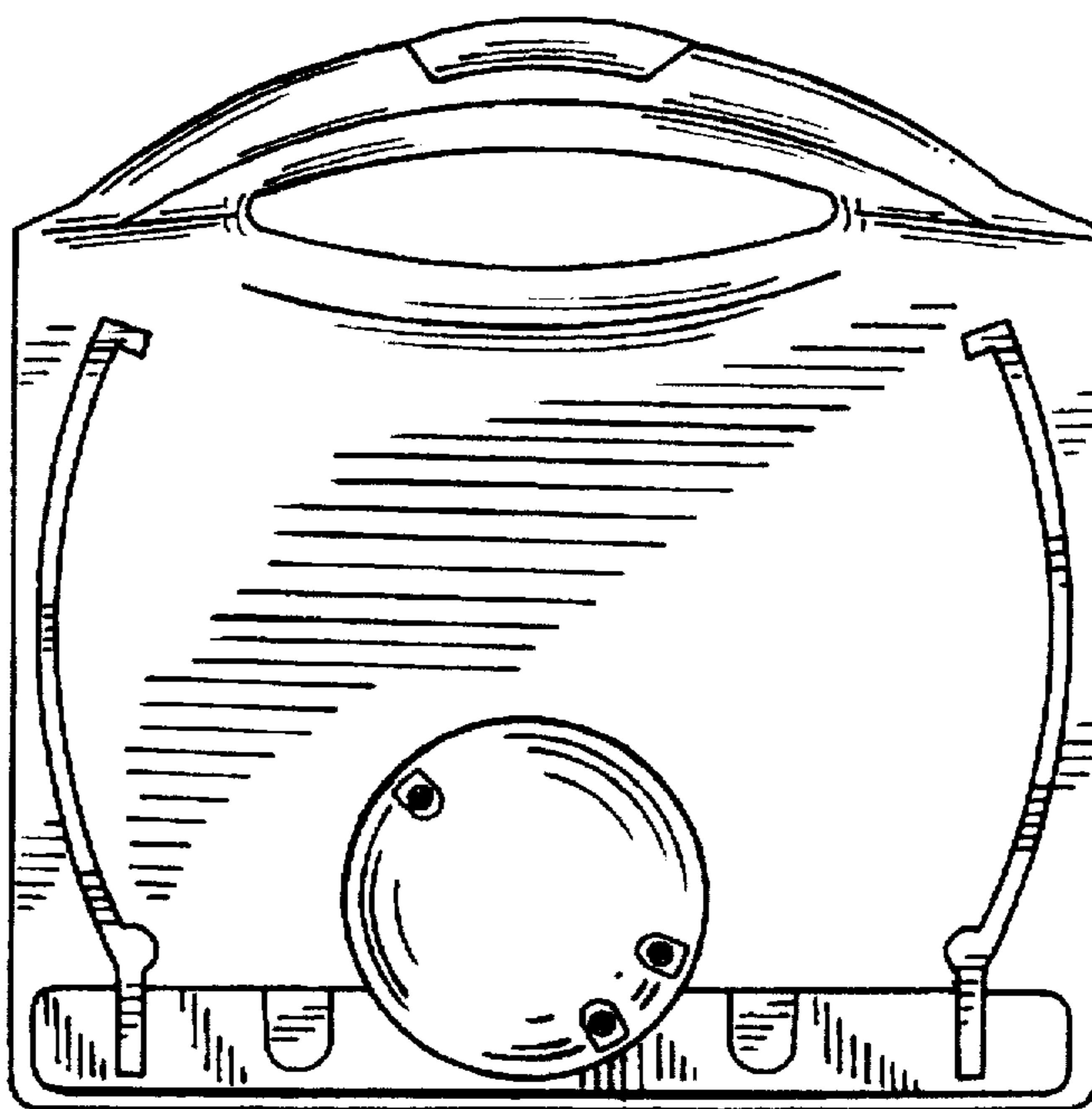


FIG. 7