



US00D389369S

**United States Patent** [19]  
**Hippen**

[11] **Patent Number: Des. 389,369**  
[45] **Date of Patent: \*\*Jan. 20, 1998**

[54] **CARAFE**  
[75] **Inventor: Jan Hippen, Portland, Oreg.**  
[73] **Assignee: Black & Decker Inc., Newark, Del.**  
[\*\*] **Term: 14 Years**  
[21] **Appl. No.: 62,874**  
[22] **Filed: Nov. 29, 1996**  
[51] **LOC (6) Cl. .... 07-01**  
[52] **U.S. Cl. .... D7/319; D7/318; D7/317**  
[58] **Field of Search .... D7/319, 301, 316,  
D7/300, 302, 303, 312, 317, 318, 322,  
321; 222/465.1, 475.1**

D. 346,300 4/1994 Morgan ..... D7/317 X  
D. 346,302 4/1994 Morgan .  
D. 354,879 1/1995 Ullmann .  
D. 355,329 2/1995 Ullmann .  
D. 363,188 10/1995 Saltet .  
D. 363,409 10/1995 Huang .  
D. 369,714 5/1996 Huang .  
D. 370,150 5/1996 Huang .  
D. 370,590 6/1996 Huang ..... D7/317 X  
4,605,134 8/1986 Zimmermann ..... D7/317 X

*Primary Examiner—M. N. Pandozzi*

[57] **CLAIM**

The ornamental design for a carafe, as shown and described.

**DESCRIPTION**

FIG. 1 is a perspective view of my new design of a carafe;  
FIG. 2 is a front elevational view of my new design of the  
carafe;  
FIG. 3 is a rear elevational view of my new design of the  
carafe;  
FIG. 4 is a right side elevational view of my new design of  
the carafe, the left side elevational view of my new design  
of the carafe being a mirror image of the right elevational  
view of my new design of the carafe;  
FIG. 5 is a top plan view of my new design of the carafe;  
and,  
FIG. 6 is a bottom plan view of my new design of the carafe.

[56] **References Cited**

**U.S. PATENT DOCUMENTS**

D. 166,936 6/1952 Wagner ..... D7/321  
D. 184,715 3/1959 Cornelius et al. .  
D. 201,839 8/1965 Eckers .  
D. 239,687 4/1976 Breger et al. .... D7/317  
D. 284,927 8/1986 Zimmerman ..... D7/317  
D. 285,400 9/1986 Zimmerman ..... D7/317  
D. 308,458 6/1990 Stutzer ..... D7/319 X  
D. 315,471 3/1991 Van Deursen ..... D7/319 X  
D. 318,204 7/1991 Naft et al. .... D7/317  
D. 323,951 2/1992 Inoue .  
D. 326,791 6/1992 Rixen ..... D7/317  
D. 326,978 6/1992 Zimmermann .

**1 Claim, 3 Drawing Sheets**

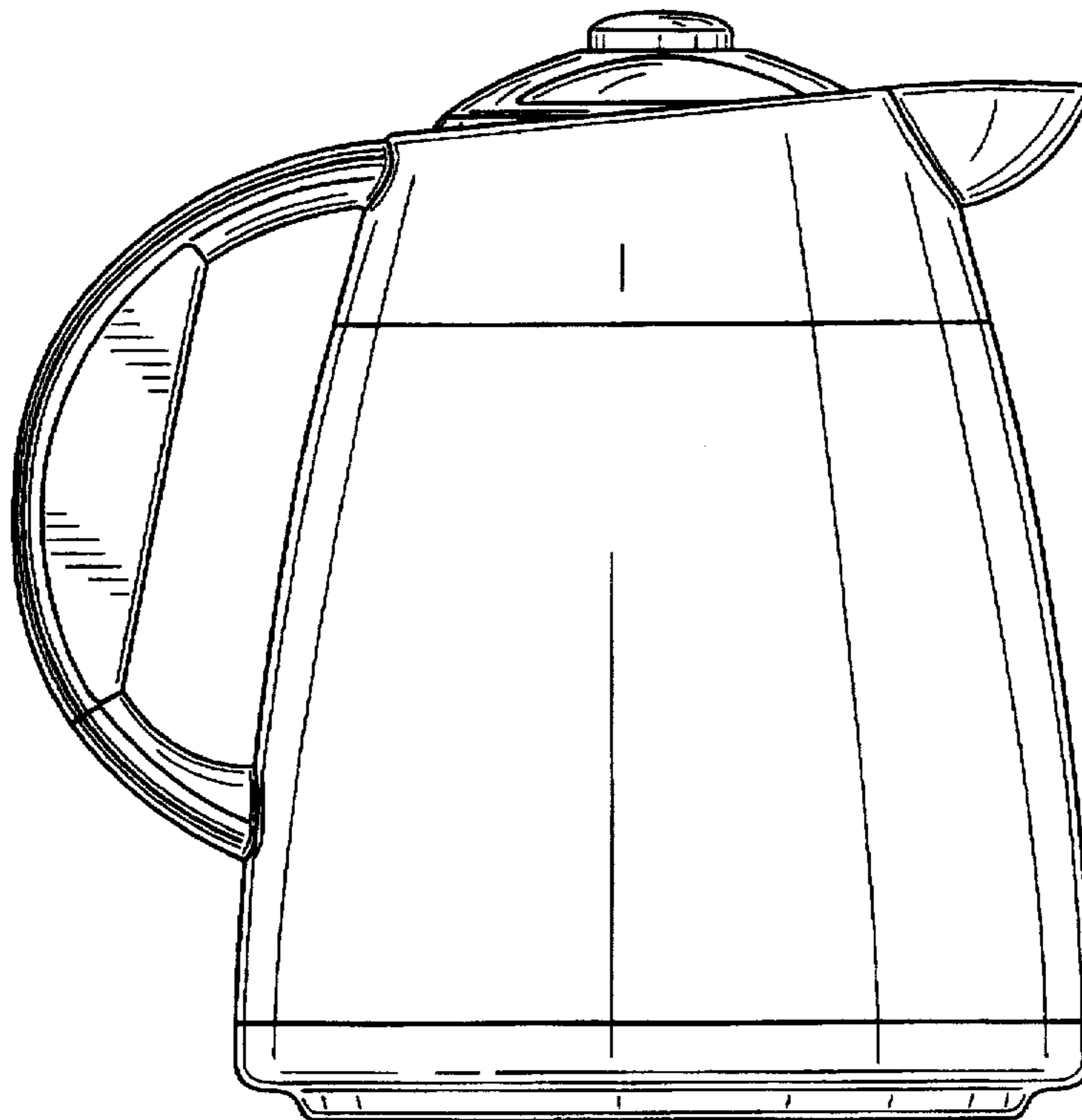


FIG. 2

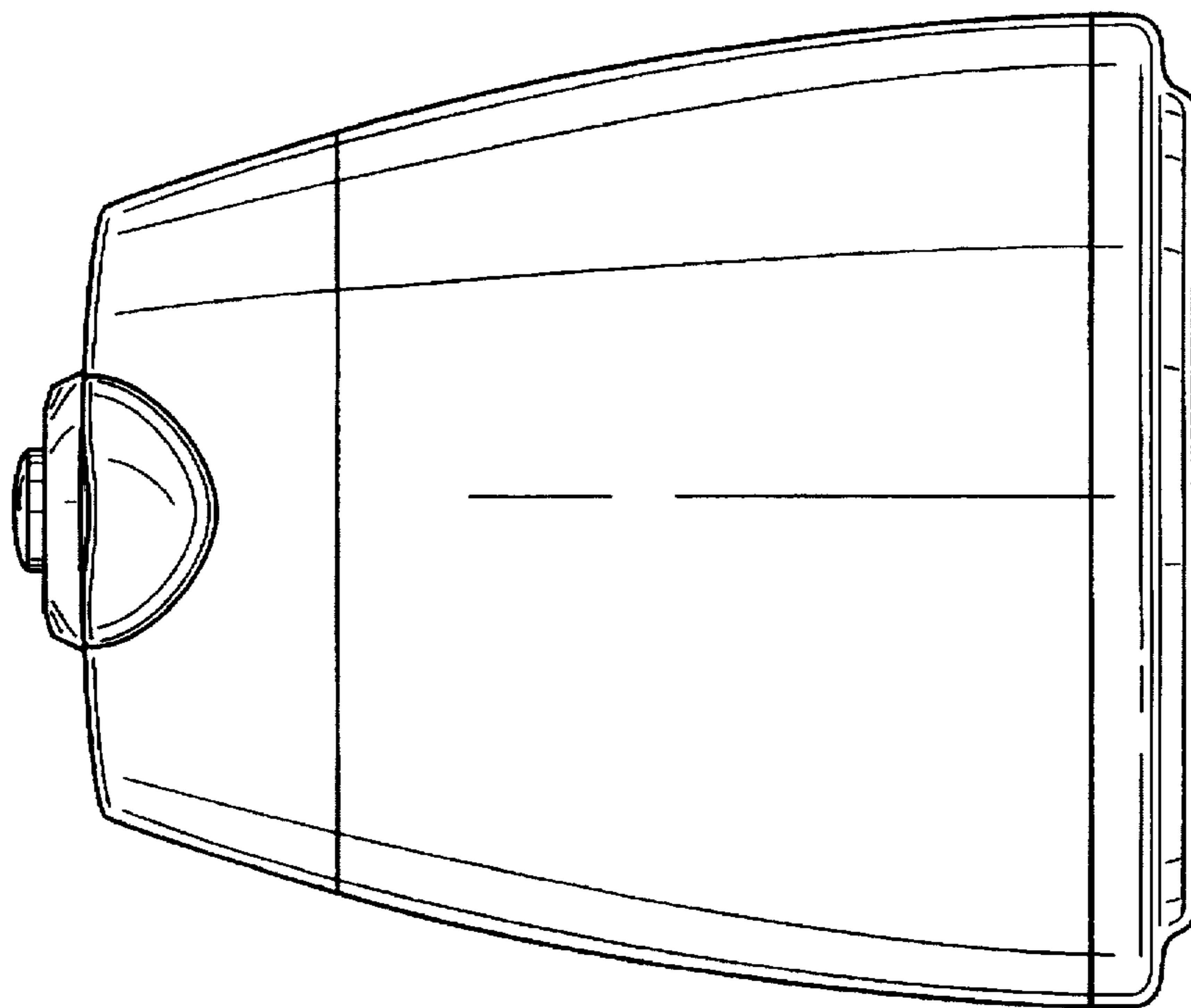


FIG. 1

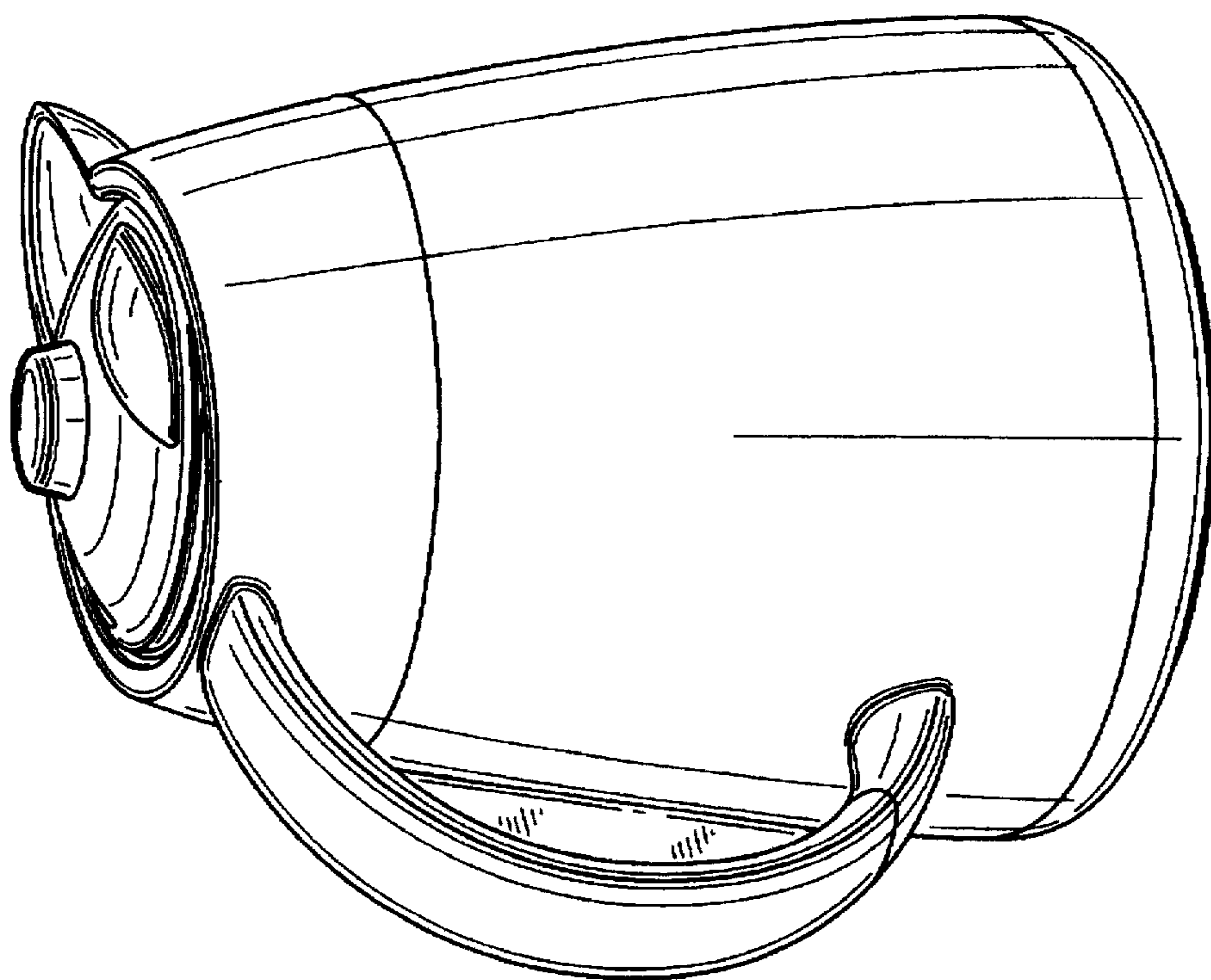


FIG. 4

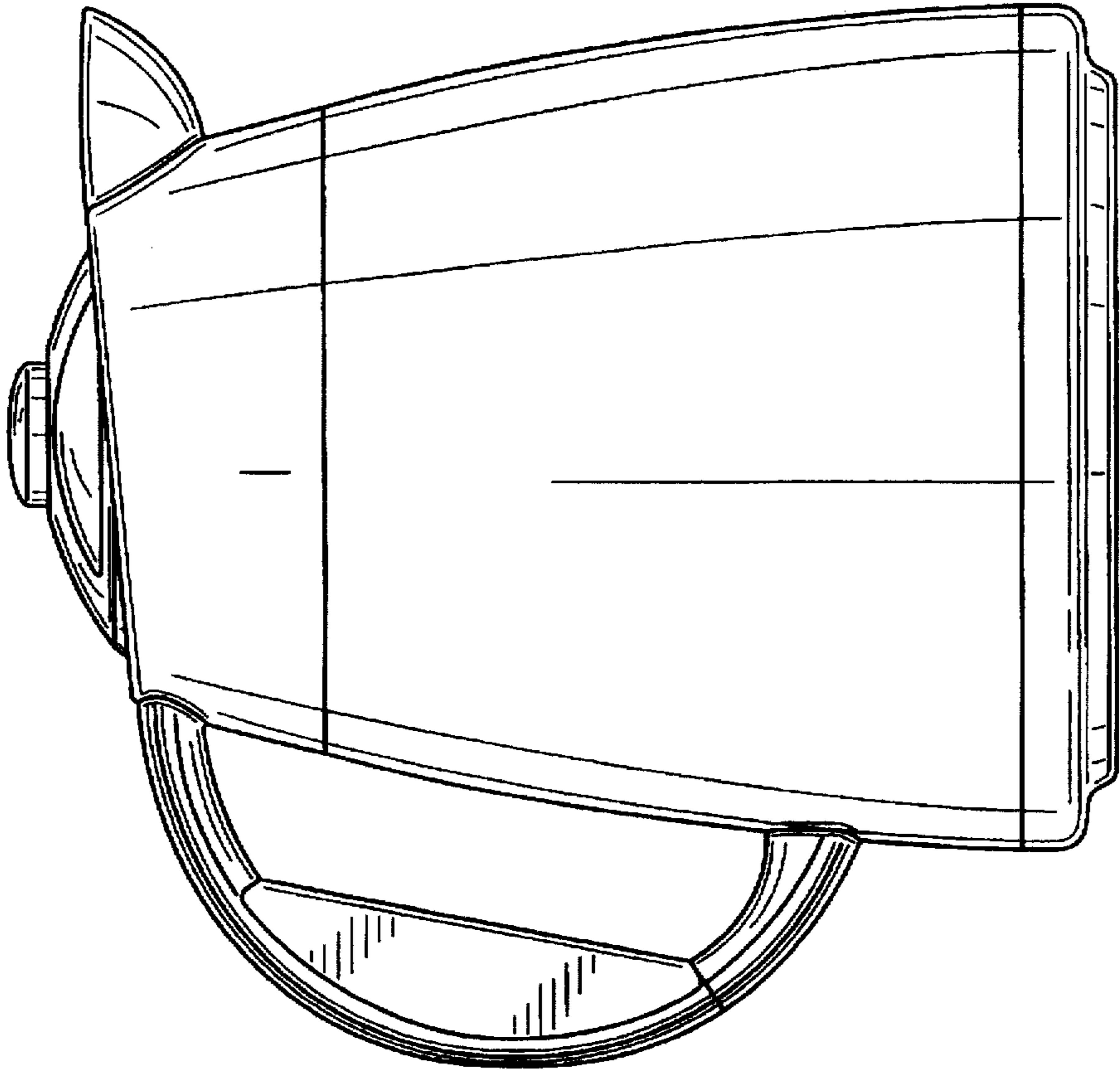


FIG. 3

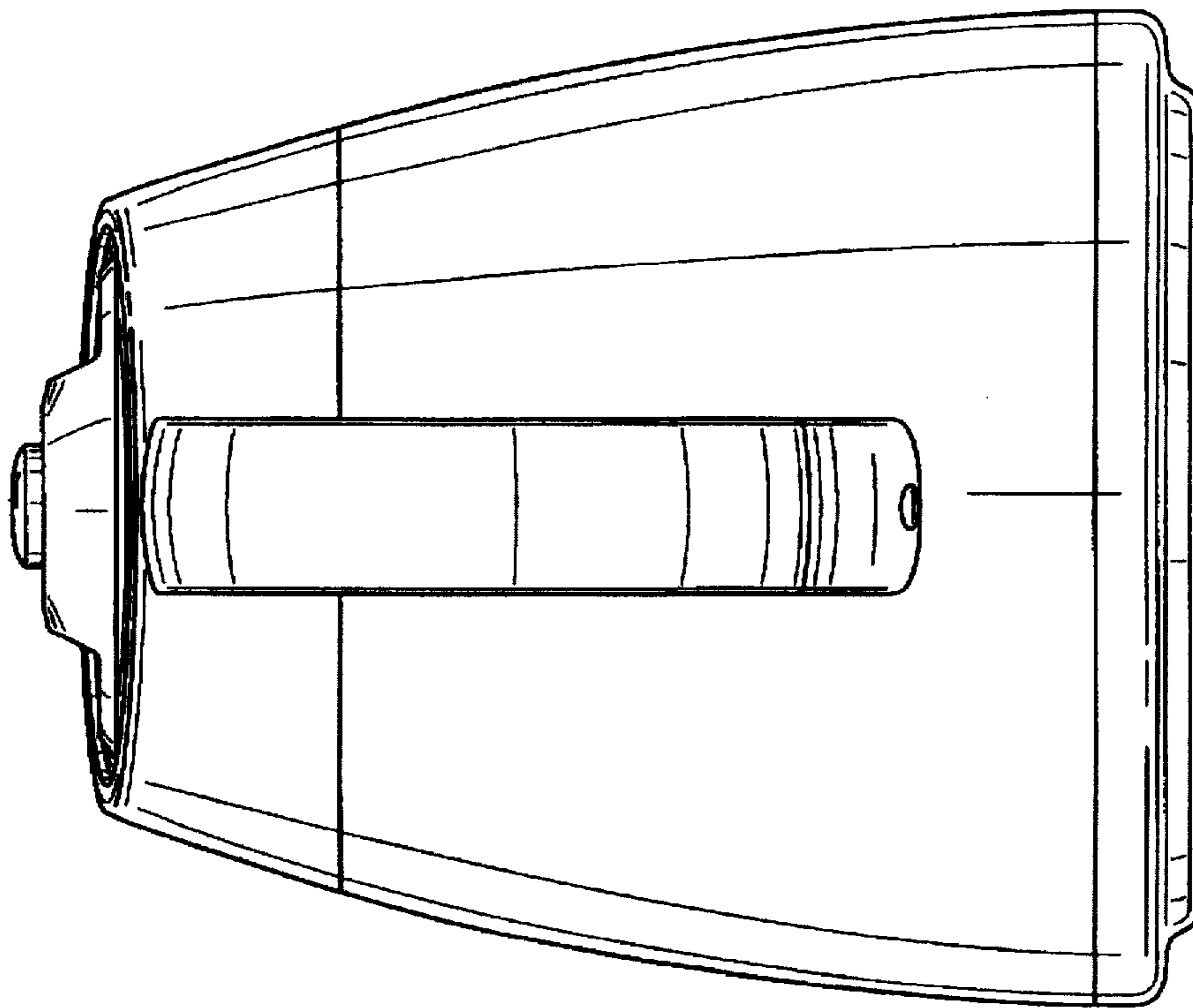


FIG. 5

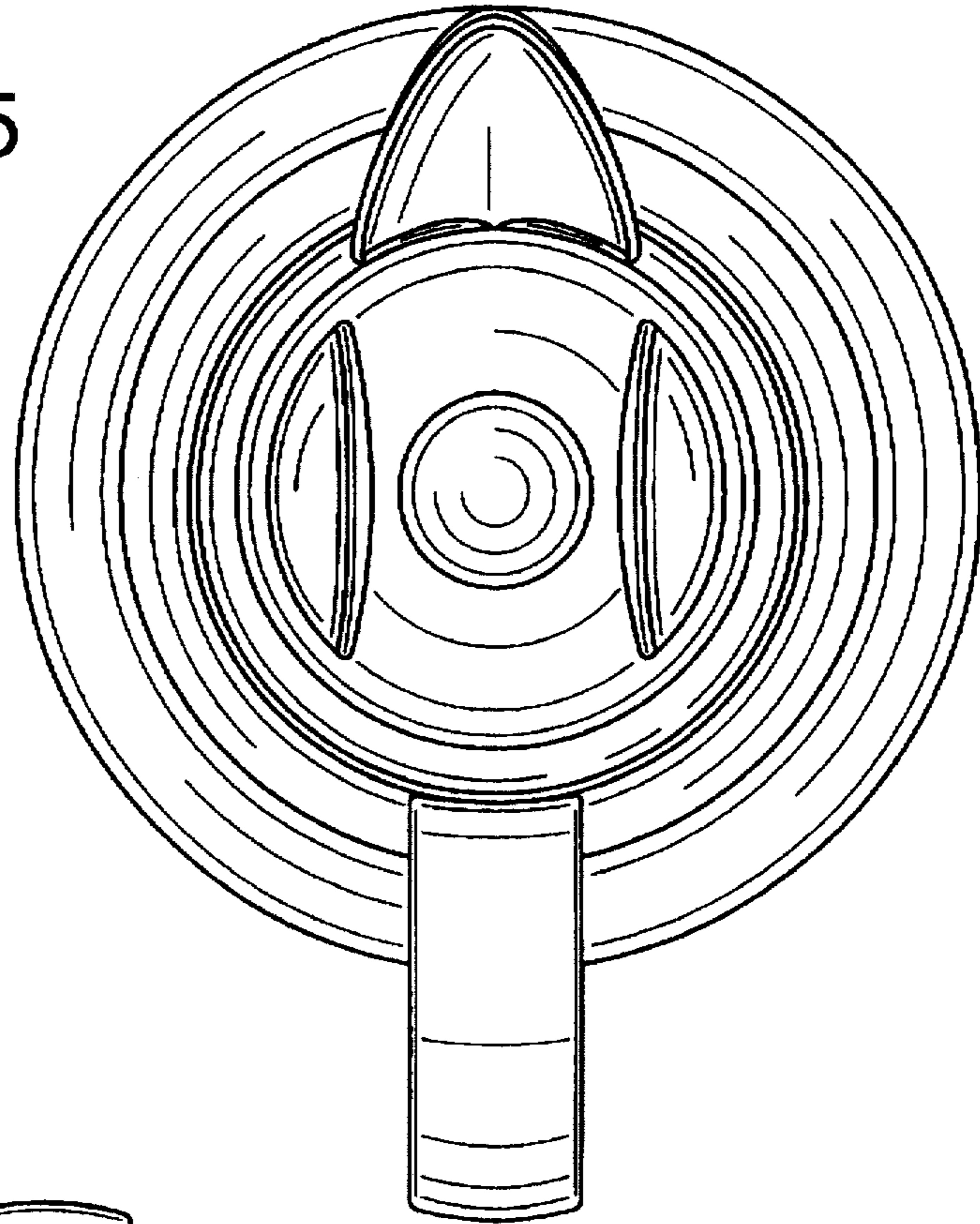


FIG. 6

