



US00D389368S

United States Patent [19]

Parks et al.

[11] Patent Number: Des. 389,368

[45] Date of Patent: **Jan. 20, 1998

[54] **CHILLED BEVERAGE DISPENSER**

[75] Inventors: **Ronald D. Parks**, St. Louis; **Kurt E. Trostel**, Brentwood, both of Mo.

[73] Assignee: **Multiplex Company, Inc.**, St. Louis, Mo.

[**] Term: **14 Years**

[21] Appl. No.: **64,616**

[22] Filed: **Jan. 7, 1997**

[51] LOC (6) Cl. **07-01**

[52] U.S. Cl. **D7/308; D7/307**

[58] Field of Search **D7/307, 311, 308, D7/392, 397, 306, 300; 62/389; 272/185.1**

4,030,634	6/1977	Osborn	222/23
4,061,184	12/1977	Radcliffe	165/38
4,171,069	10/1979	Cornelius et al.	222/1
4,308,975	1/1982	Bowen	222/36
4,476,690	10/1984	Iannelli	62/198
4,687,120	8/1987	McMillin	222/1
4,691,842	9/1987	Foures	222/1
4,742,939	5/1988	Galockin	222/68
5,096,095	3/1992	Burton	222/173
5,192,003	3/1993	Billings	222/129.1
5,251,790	10/1993	Cohn et al.	222/146.6
5,427,276	6/1995	Knuettel, II et al.	222/131
5,456,387	10/1995	Trewhella	222/146.6
5,494,195	2/1996	Knuettel, II et al.	222/146.6

Primary Examiner—M. N. Pandozzi
 Attorney, Agent, or Firm—Senniger, Powers, Leavitt & Roedel

[56] References Cited

U.S. PATENT DOCUMENTS

D. 296,408	6/1988	Gaunt et al.	D7/308
D. 324,319	3/1992	Farber et al.	D7/308
D. 359,874	7/1995	Smith et al.	D7/311
D. 360,332	7/1995	Mann	D7/306
D. 367,989	3/1996	Mills et al.	D7/308
D. 368,617	4/1996	Jackson et al.	D7/307 X
D. 373,280	9/1996	Johnson	D7/308 X
2,721,061	10/1955	Freer	257/242
3,179,292	4/1965	Terry	222/52
3,191,402	6/1965	Baker	62/399
3,370,755	2/1968	Querner	222/146
3,584,472	6/1971	Sholtes	62/394
3,739,842	6/1973	Whalen	165/164
3,904,079	9/1975	Kross	222/2

[57] CLAIM

The ornamental design for a chilled beverage dispenser, as shown and described.

DESCRIPTION

FIG. 1 is a perspective view of a chilled beverage dispenser of our new design;
 FIG. 2 is a front elevational view of the chilled beverage dispenser of FIG. 1;
 FIG. 3 is a rear elevational view thereof;
 FIG. 4 is a right side view thereof;
 FIG. 5 is a left side view thereof;
 FIG. 6 is a top plan view thereof; and,
 FIG. 7 is a bottom plan view thereof.

1 Claim, 4 Drawing Sheets

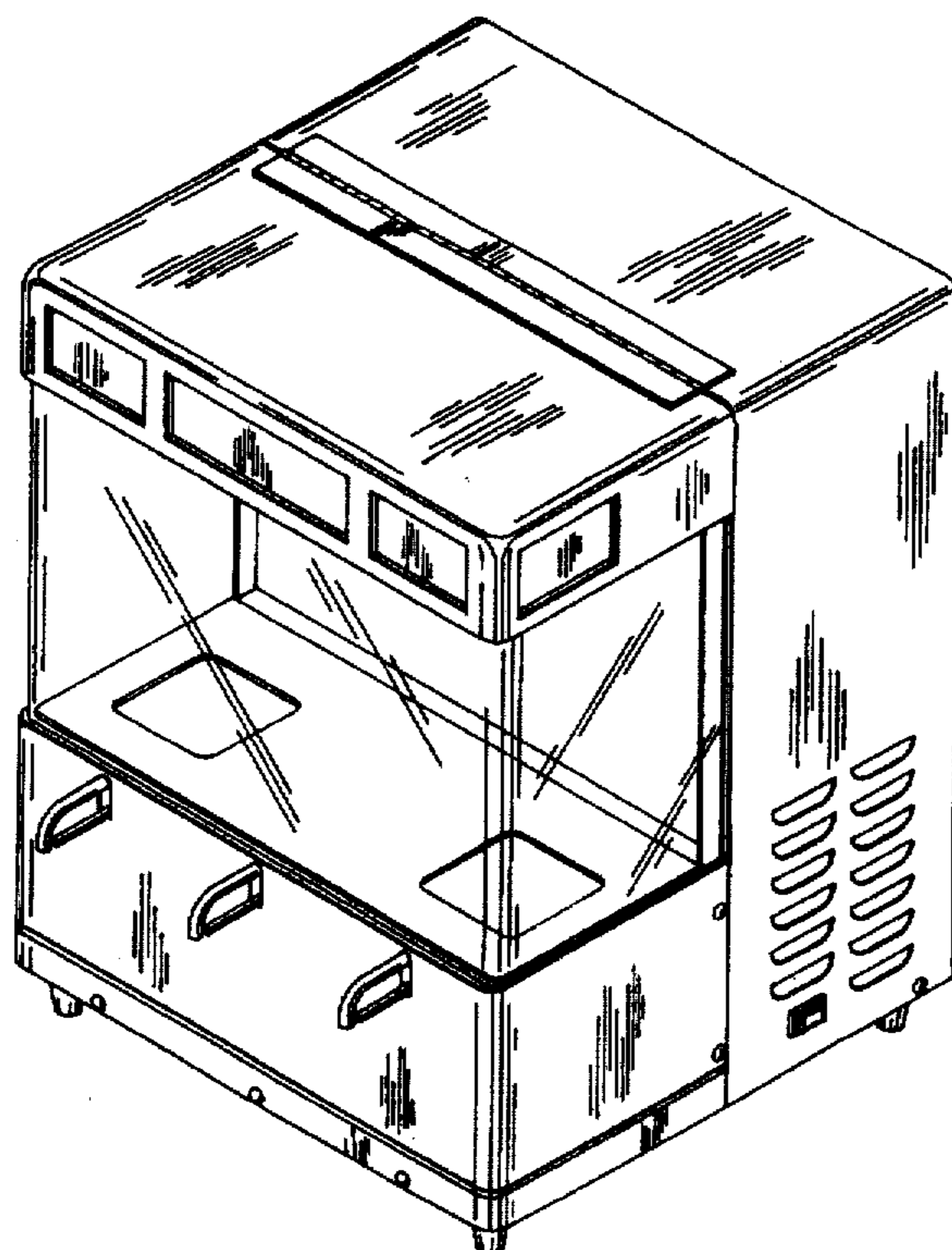


FIG. 1

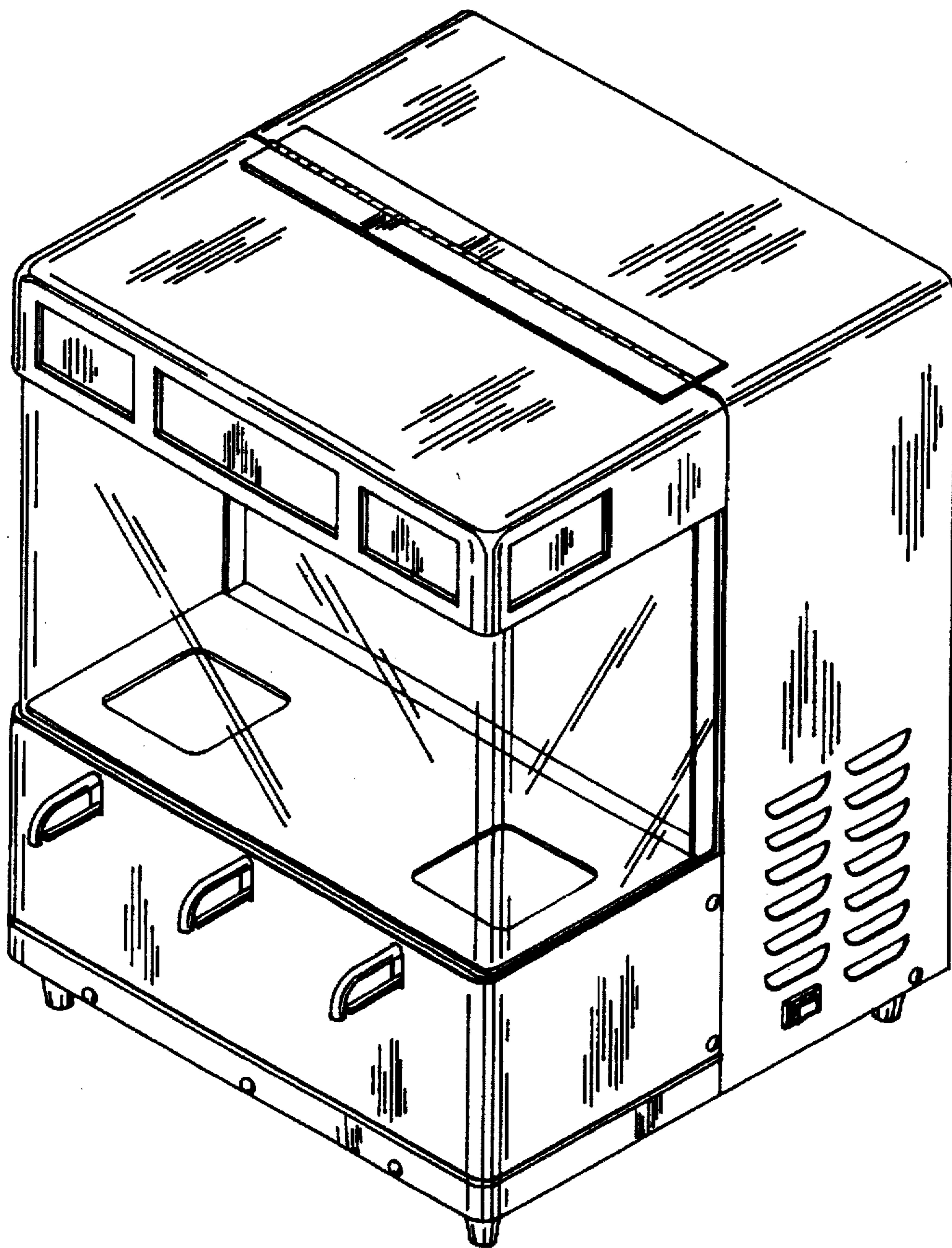


FIG. 3

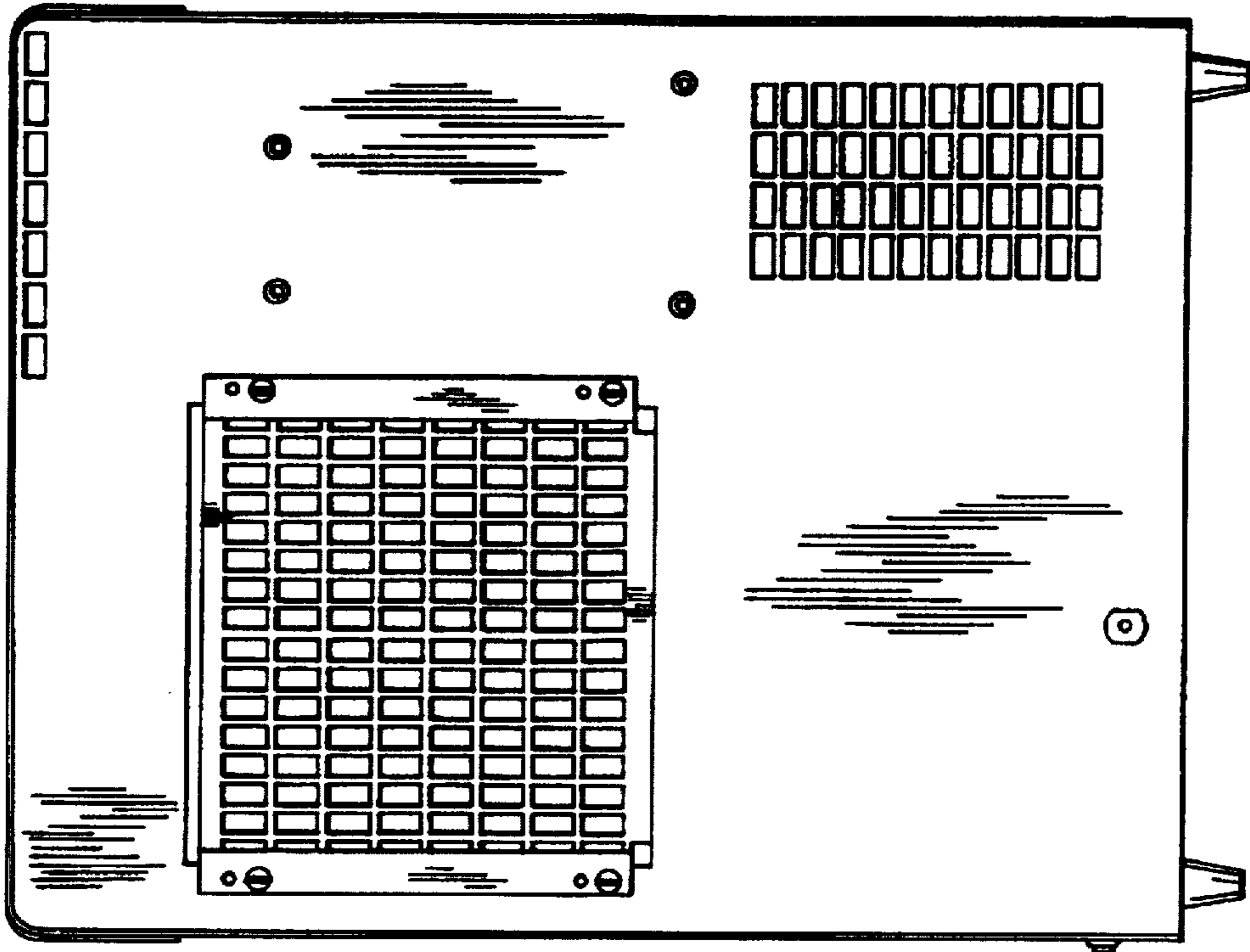


FIG. 2

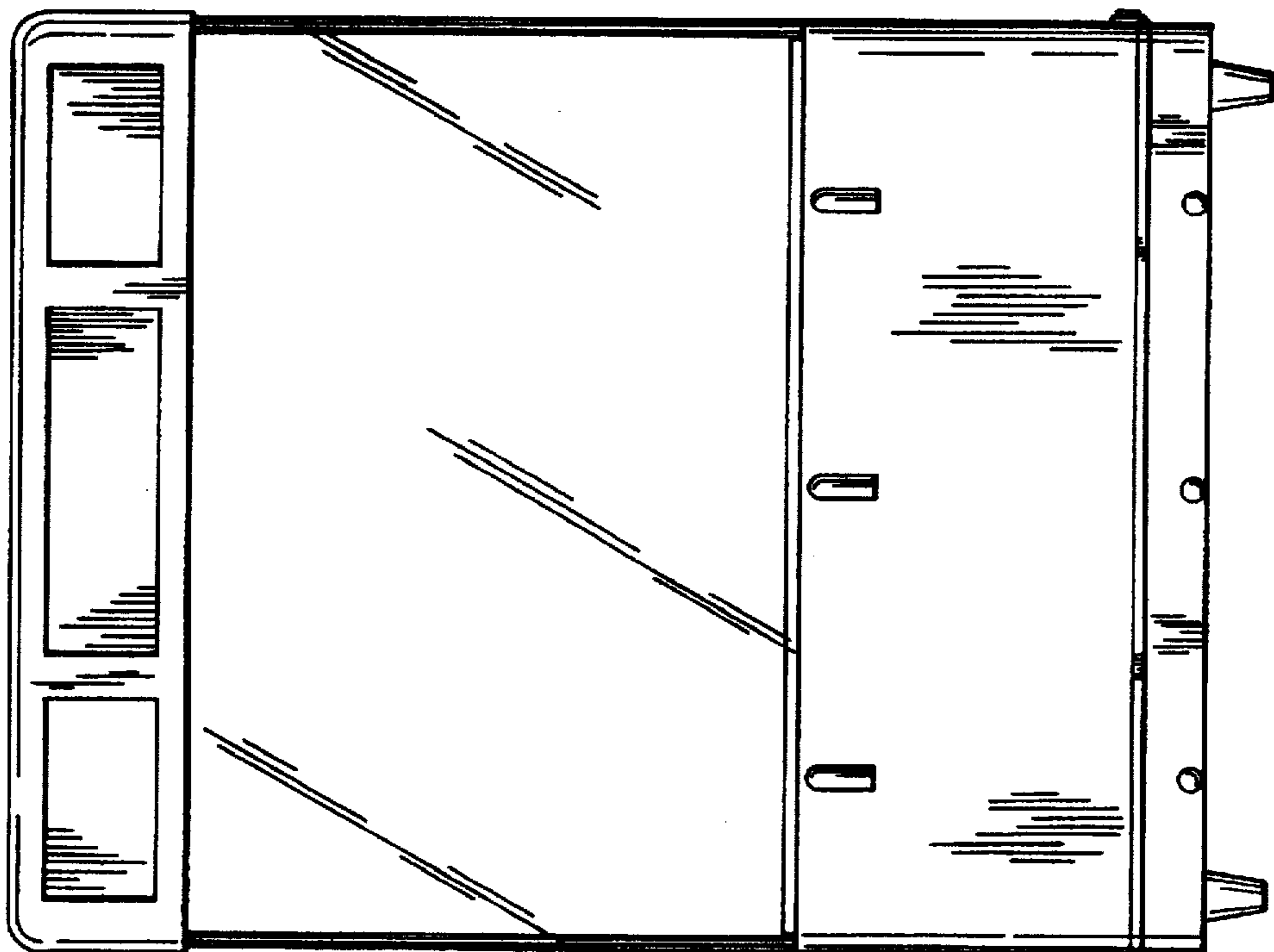


FIG. 5

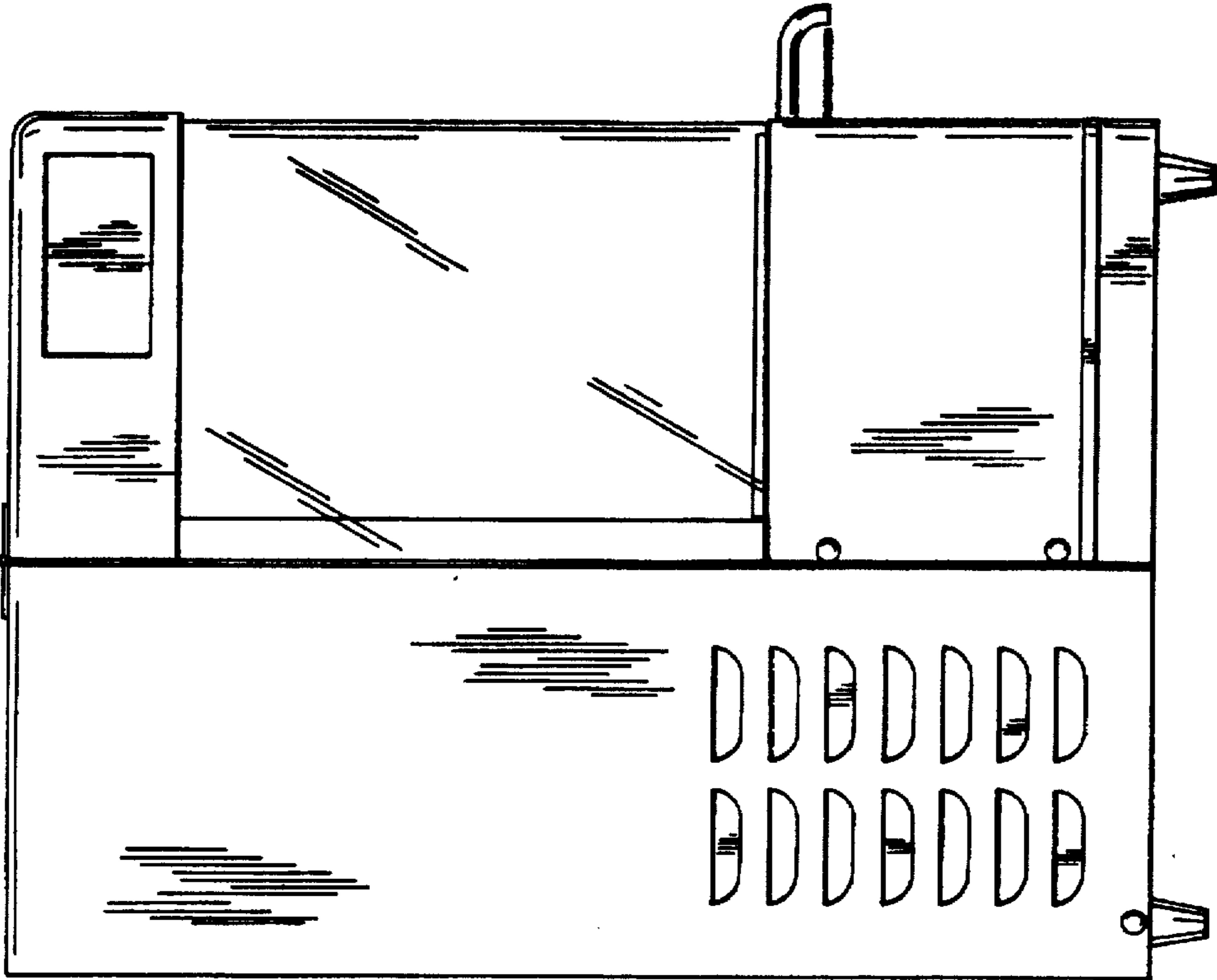


FIG. 4

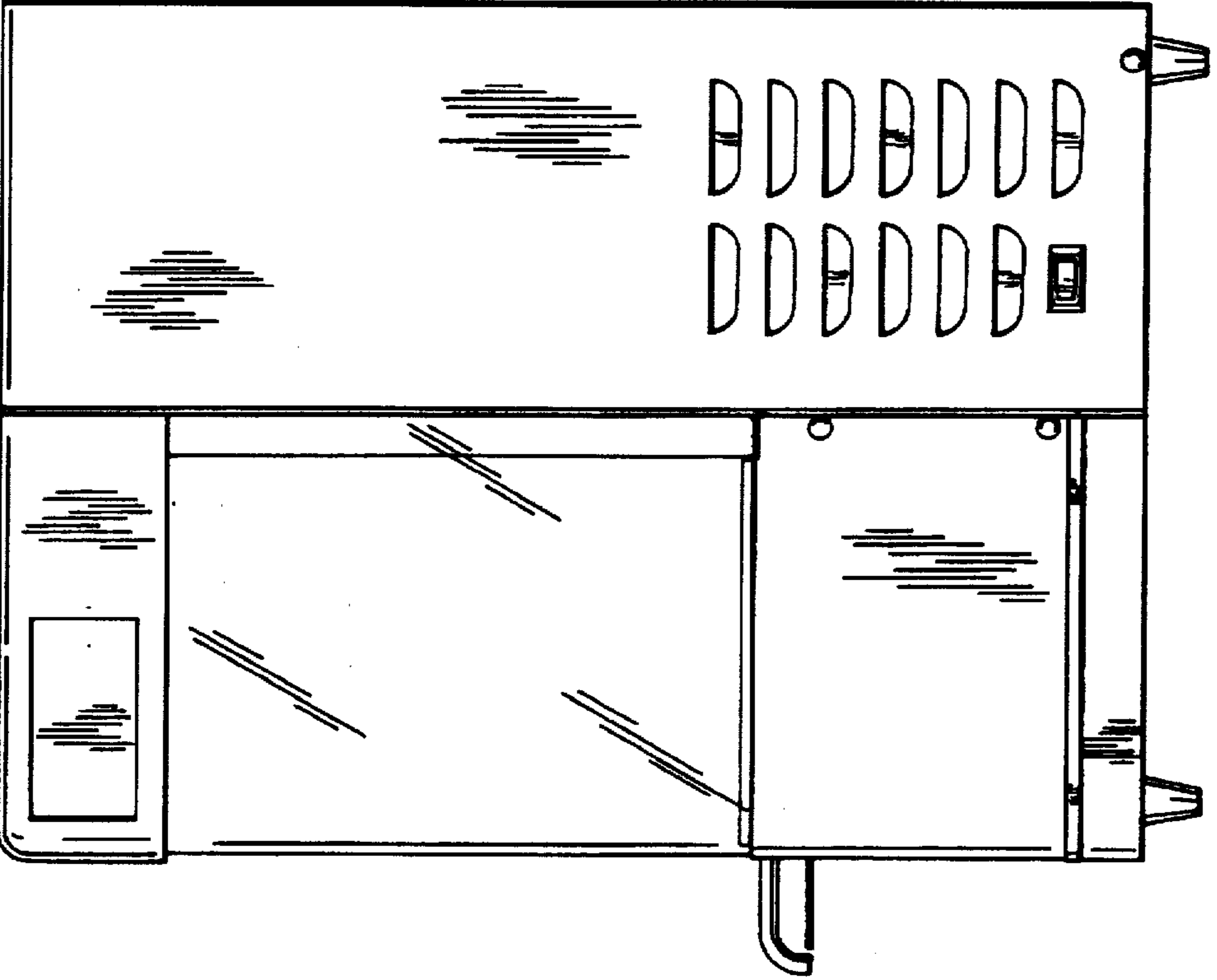


FIG. 7

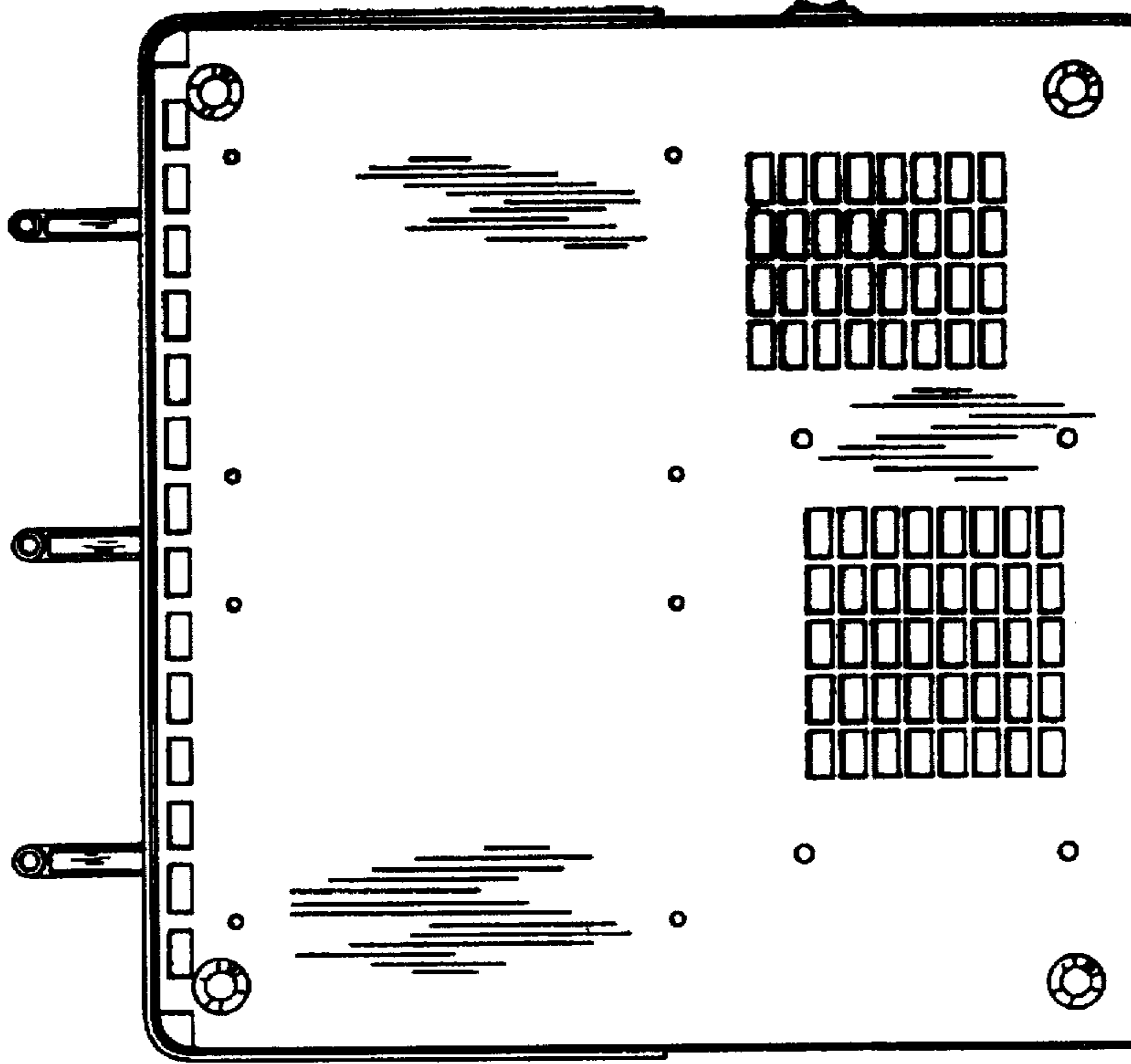


FIG. 6

