



US00D389364S

United States Patent [19]

Vallarella et al.

[11] Patent Number: **Des. 389,364**

[45] Date of Patent: ****Jan. 20, 1998**

[54] **ILLUMINATED DEVICE FOR A BEVERAGE GLASS**

[76] Inventors: **Michael Vallarella**, 35 Miller Rd.;
Chris Vallarella, 42 Anita Pl., both of Farmingdale, N.Y. 11735

[**] Term: **14 Years**

[21] Appl. No.: **58,198**

[22] Filed: **Aug. 9, 1996**

[51] LOC (6) Cl. **07-06**

[52] U.S. Cl. **D7/300.2; D26/38**

[58] Field of Search **D7/300.2; D19/43, D19/51; 215/229, 388; 362/109, 234; 366/120, 129; 416/69, 70 R, 71; D26/37, 38, 49**

[56] **References Cited**

U.S. PATENT DOCUMENTS

D. 367,200	2/1996	Brown	D7/300.2
D. 371,269	7/1996	Shattuck et al.	D7/300.2
1,988,961	1/1935	Prideaux .	
3,510,643	5/1970	File .	
3,722,457	3/1973	Hartinger .	
3,742,207	6/1973	Strauss .	
4,034,213	7/1977	Norris .	
4,065,107	12/1977	Van Horbek .	
4,250,491	2/1981	Dotson .	
4,283,757	8/1981	Nalbandian et al. .	

4,408,263	10/1983	Sternlicht .	
4,441,142	4/1984	Garofalo .	
4,458,300	7/1984	Walsh .	
4,480,295	10/1984	Shuster .	
4,483,622	11/1984	Muhi et al. .	
4,563,726	1/1986	Newcomb et al. .	
4,609,976	9/1986	Geissler .	
4,722,035	1/1988	Rapisarda .	
4,812,952	3/1989	Clemens .	
4,854,712	8/1989	Mori .	
4,858,083	8/1989	Nakimoto .	
5,158,356	10/1992	Guthrie .	
5,381,319	1/1995	Shiao	362/109 X

Primary Examiner—Terry A. Wallace
Attorney, Agent, or Firm—Dennis H. Lambert

[57] **CLAIM**

The ornamental design for an illuminated device for a beverage glass, as shown and described.

DESCRIPTION

FIG. 1 is a front, top and side perspective view of the illuminated device for for a beverage glass showing my new design;

FIG. 2 is a front elevational view thereof;

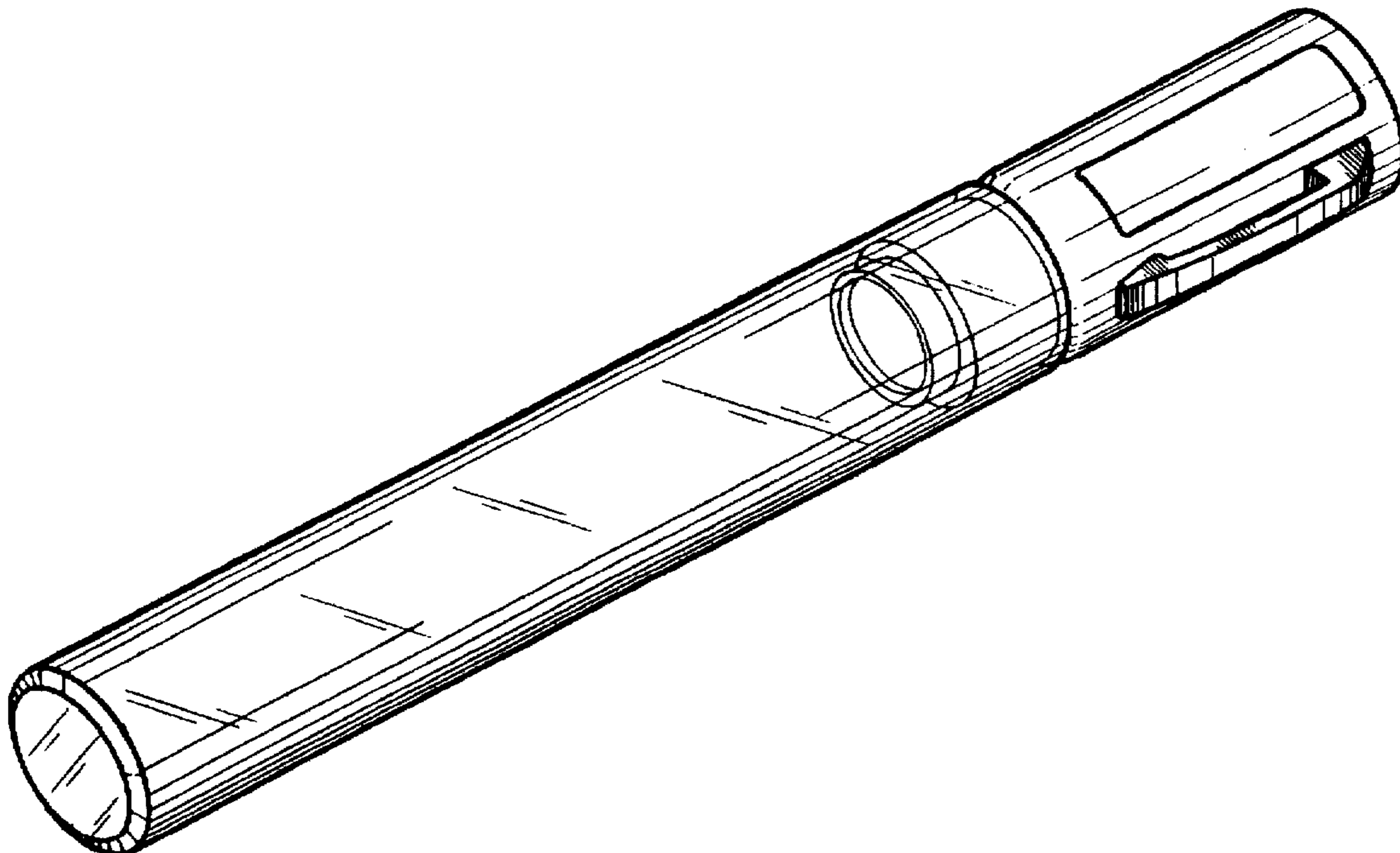
FIG. 3 is a right side elevational view thereof;

FIG. 4 is a left side elevational view thereof;

FIG. 5 is a top plan view thereof; and,

FIG. 6 is a bottom plan view thereof.

1 Claim, 3 Drawing Sheets



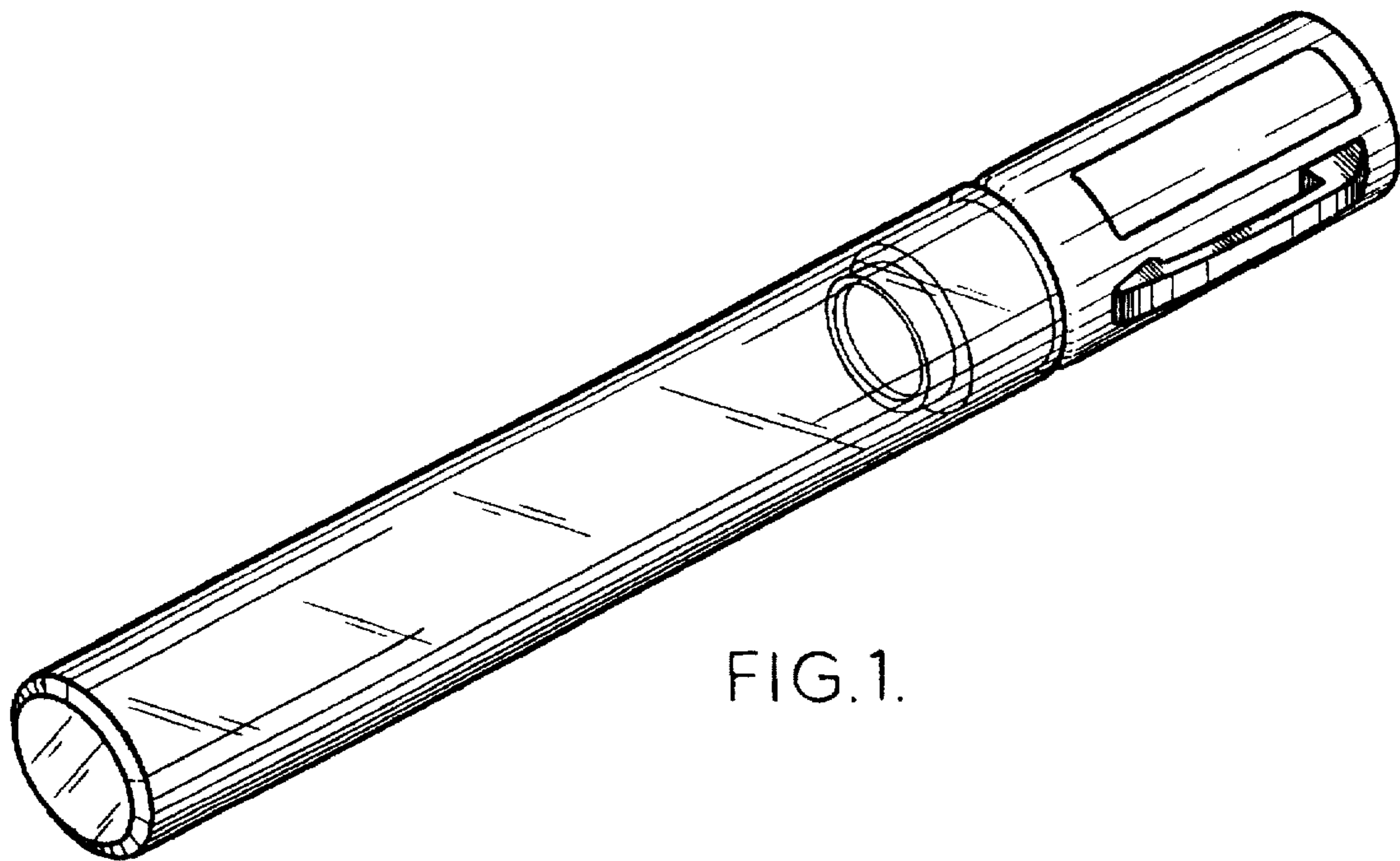


FIG.1.

FIG. 2.

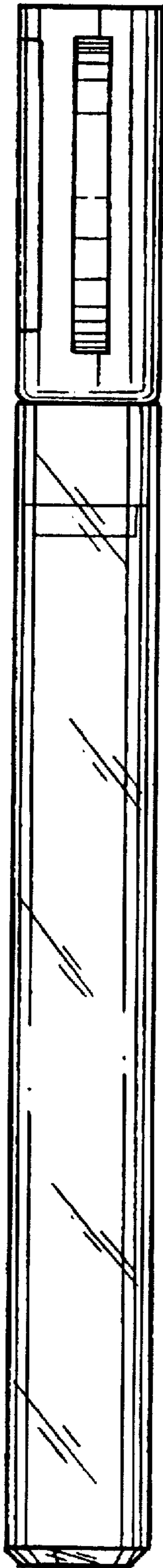


FIG. 3.

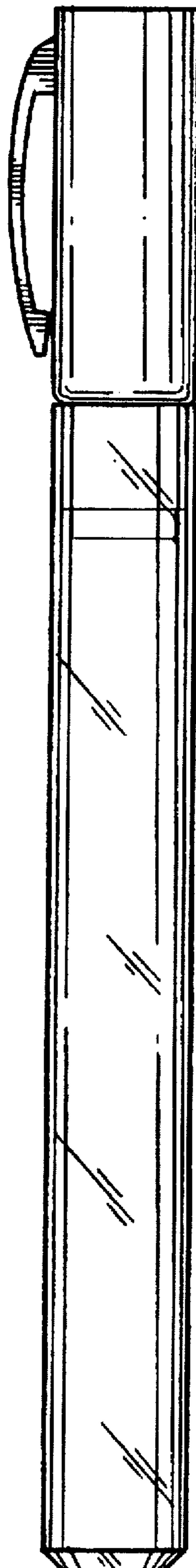
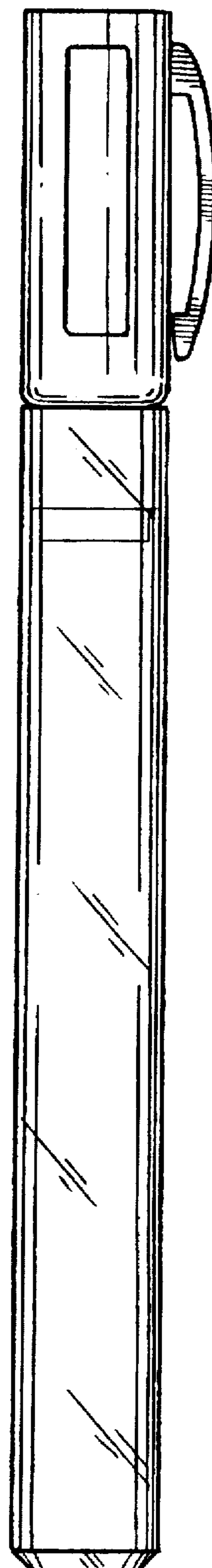


FIG. 4.



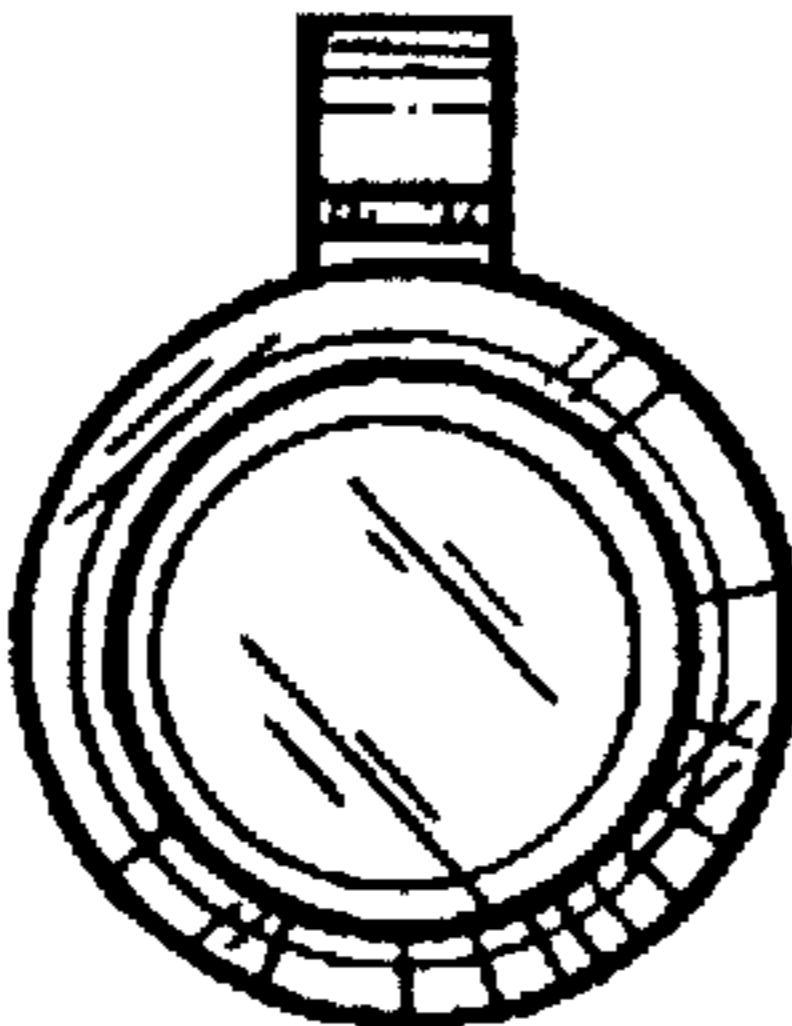


FIG. 6.

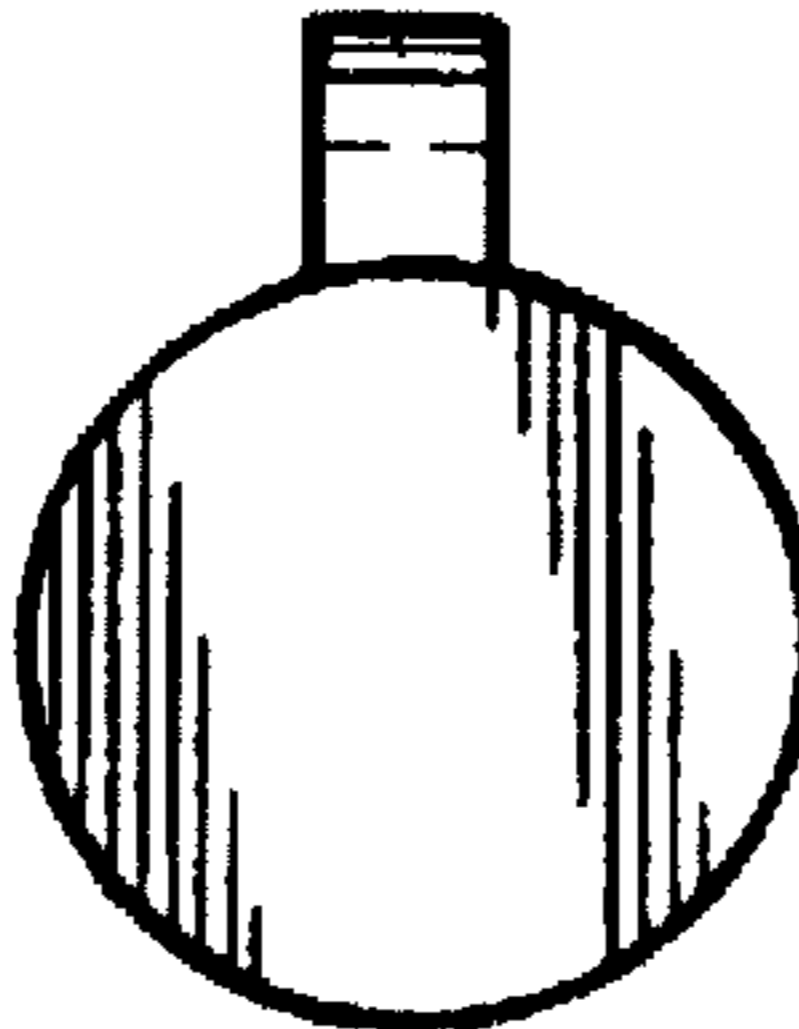


FIG. 5.