



US00D389354S

United States Patent [19]

Hsu

[11] Patent Number: Des. 389,354

[45] Date of Patent: **Jan. 20, 1998

[54] TOOTHBRUSH HOLDER

[76] Inventor: Junior Julian Hsu, 3633 Palm Canyon, Northbrook, Ill. 60062

[**] Term: 14 Years

[21] Appl. No.: 61,544

[22] Filed: Oct. 25, 1996

[51] LOC (6) Cl. 04-02

[52] U.S. Cl. D6/534

[58] Field of Search D6/534, 528, 524;
211/60.1, 70.6, 70.7, 70.3; 248/109, 217;
206/217

[56] **References Cited**

U.S. PATENT DOCUMENTS

- D. 154,689 8/1949 Lundgren D6/534
- D. 286,349 10/1986 Bussell D6/534
- D. 327,171 6/1992 Moore D6/534

- D. 327,195 6/1992 Murphy et al. D6/534
- 4,978,003 12/1990 Foster 206/217

Primary Examiner—Pamela Burgess
Attorney, Agent, or Firm—Pro-Techtor International

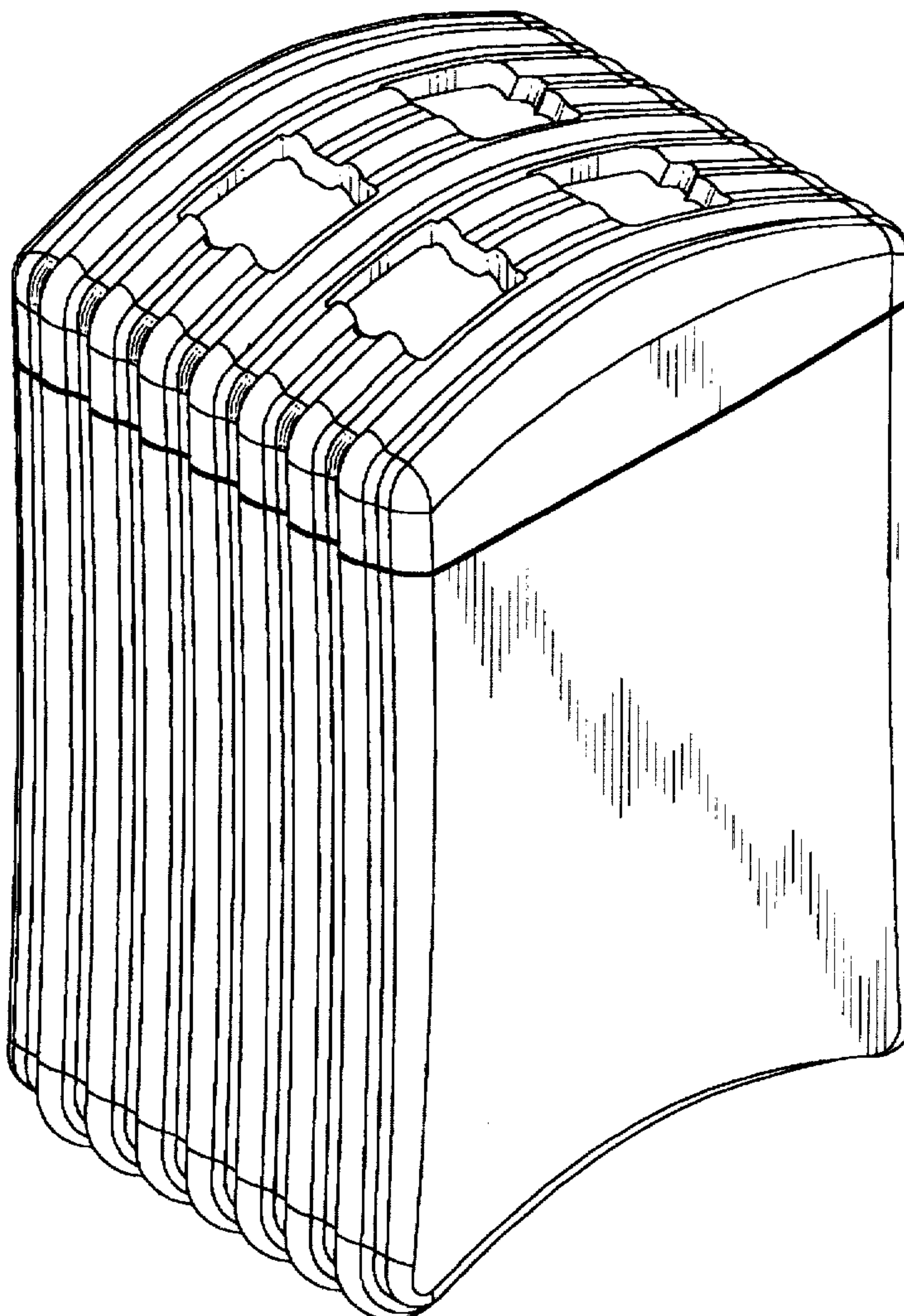
[57] **CLAIM**

The ornamental design for a toothbrush holder, as shown and described.

DESCRIPTION

FIG. 1 is a perspective view of a toothbrush holder showing my design;
 FIG. 2 is a front elevation view thereof;
 FIG. 3 is a rear elevation view thereof;
 FIG. 4 is a left side elevation view thereof;
 FIG. 5 is a right rear perspective view thereof;
 FIG. 6 is a top plan view thereof; and,
 FIG. 7 is a bottom plan view thereof.

1 Claim, 6 Drawing Sheets



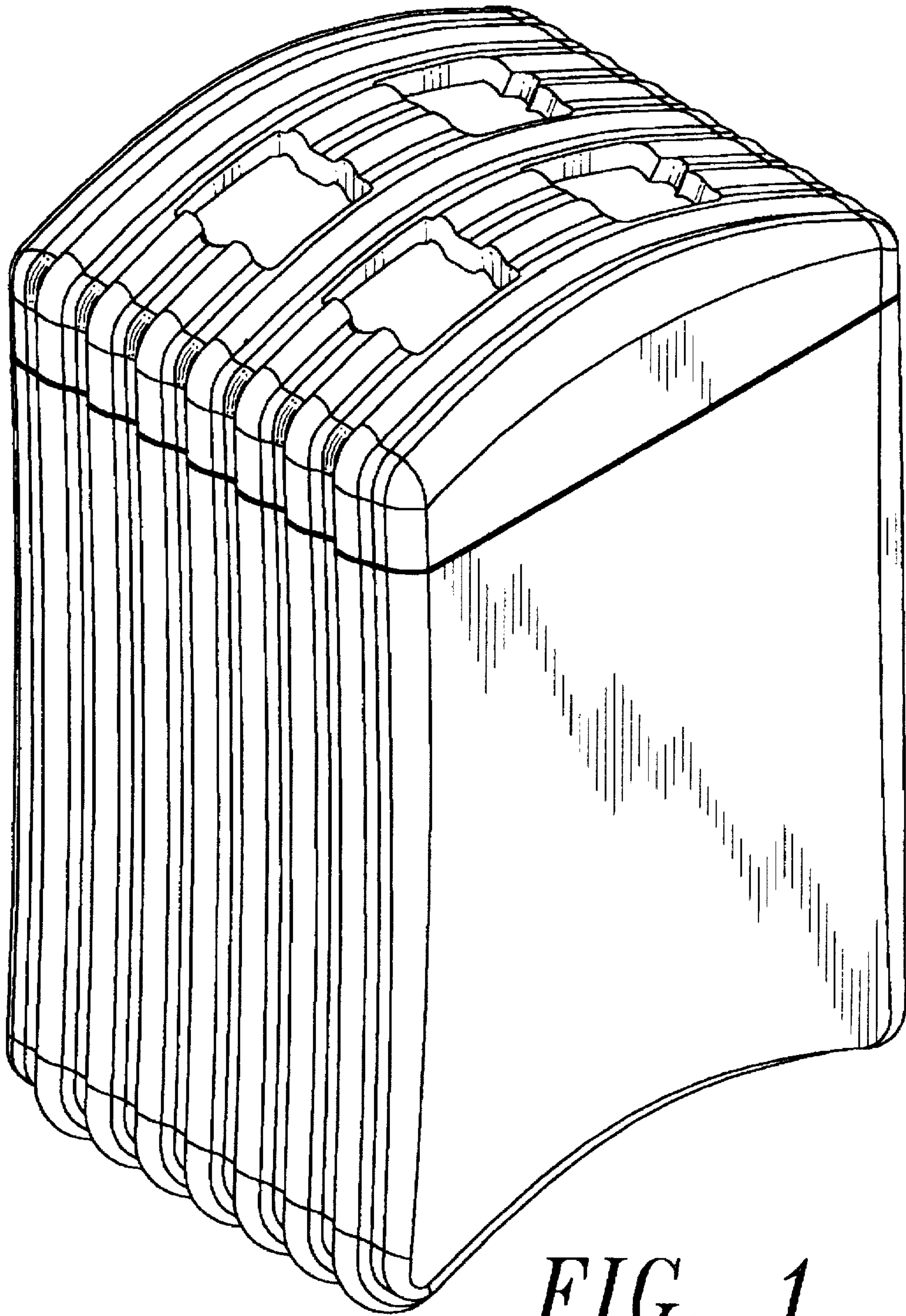


FIG. 1

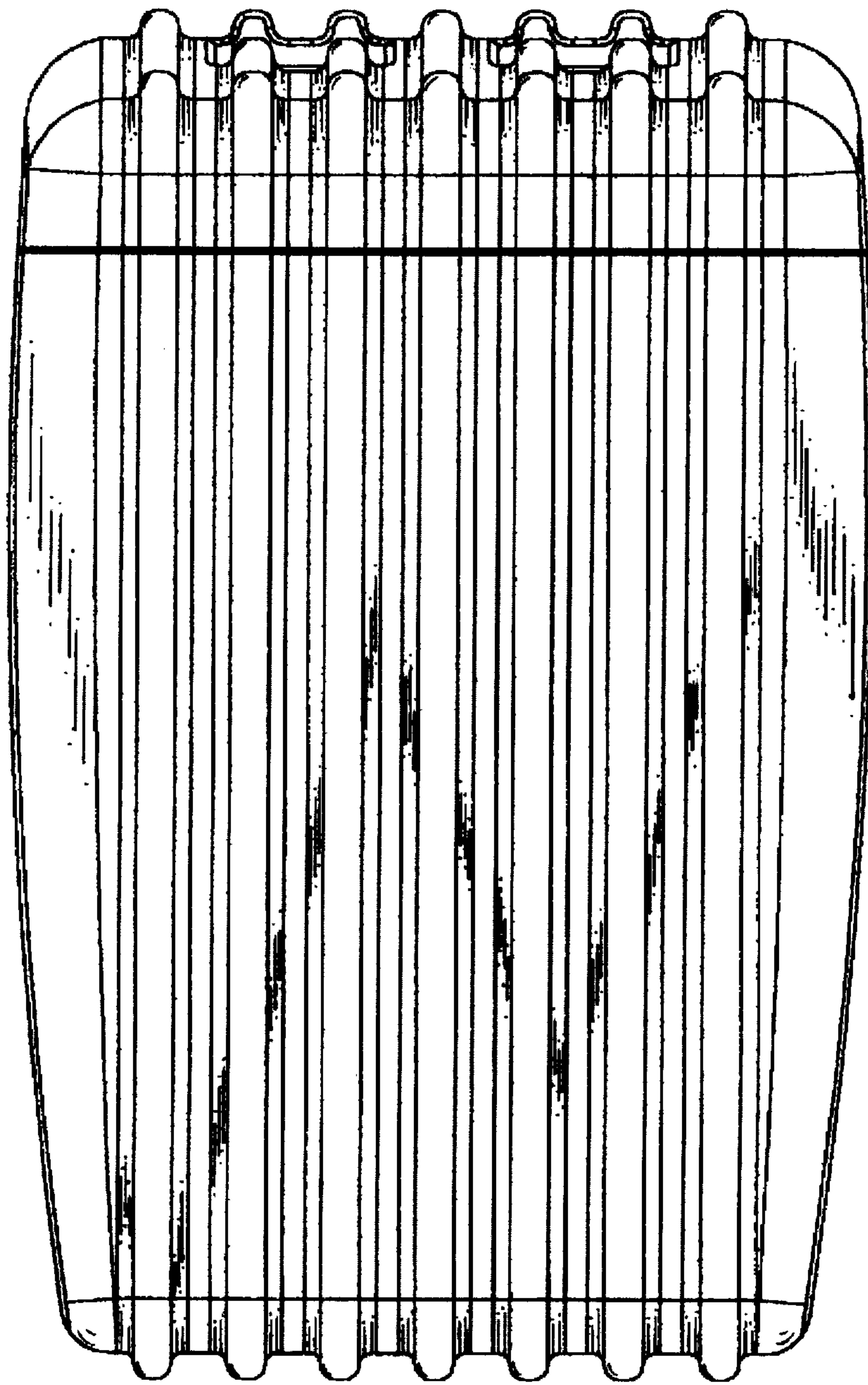


FIG. 2

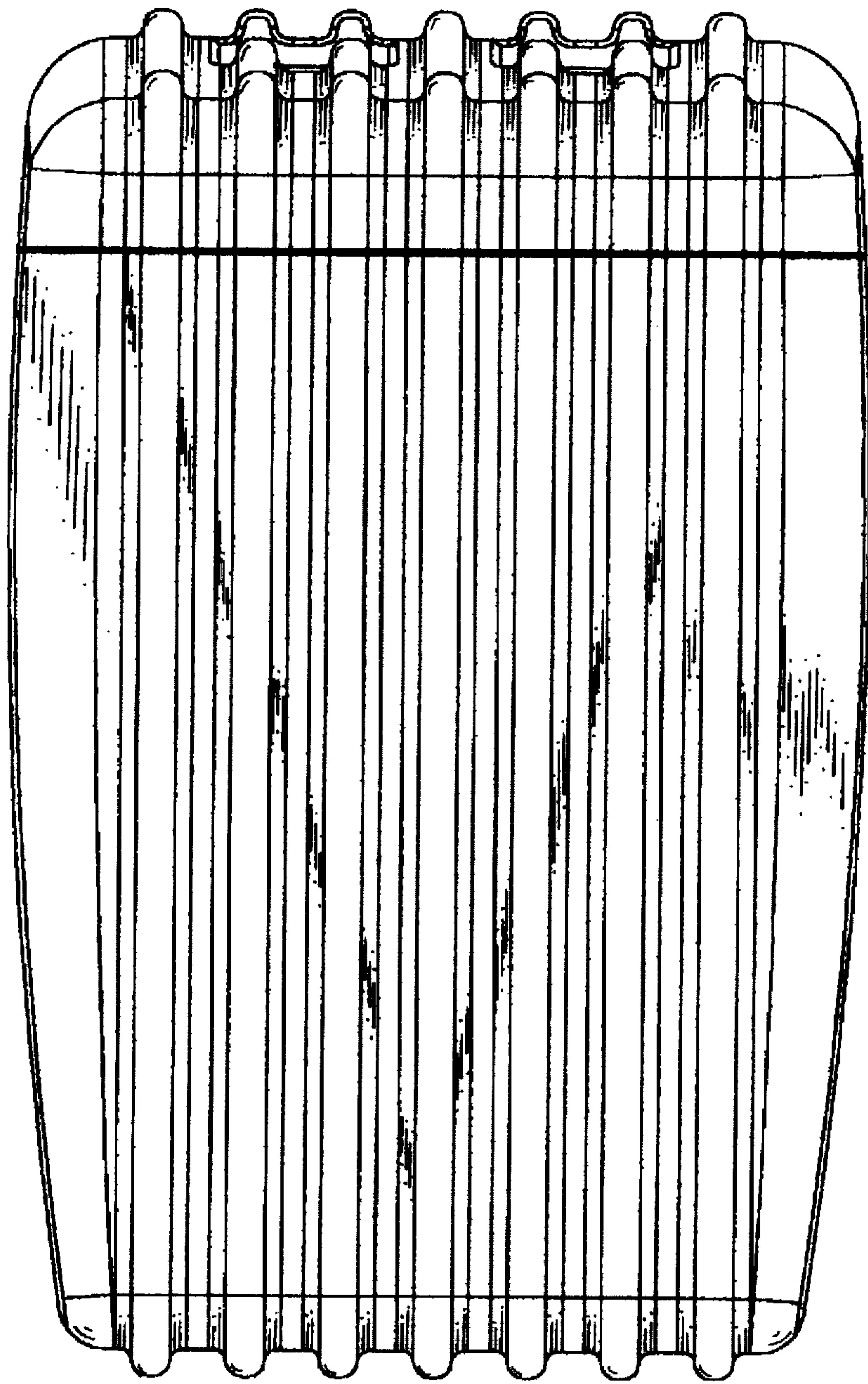


FIG. 3

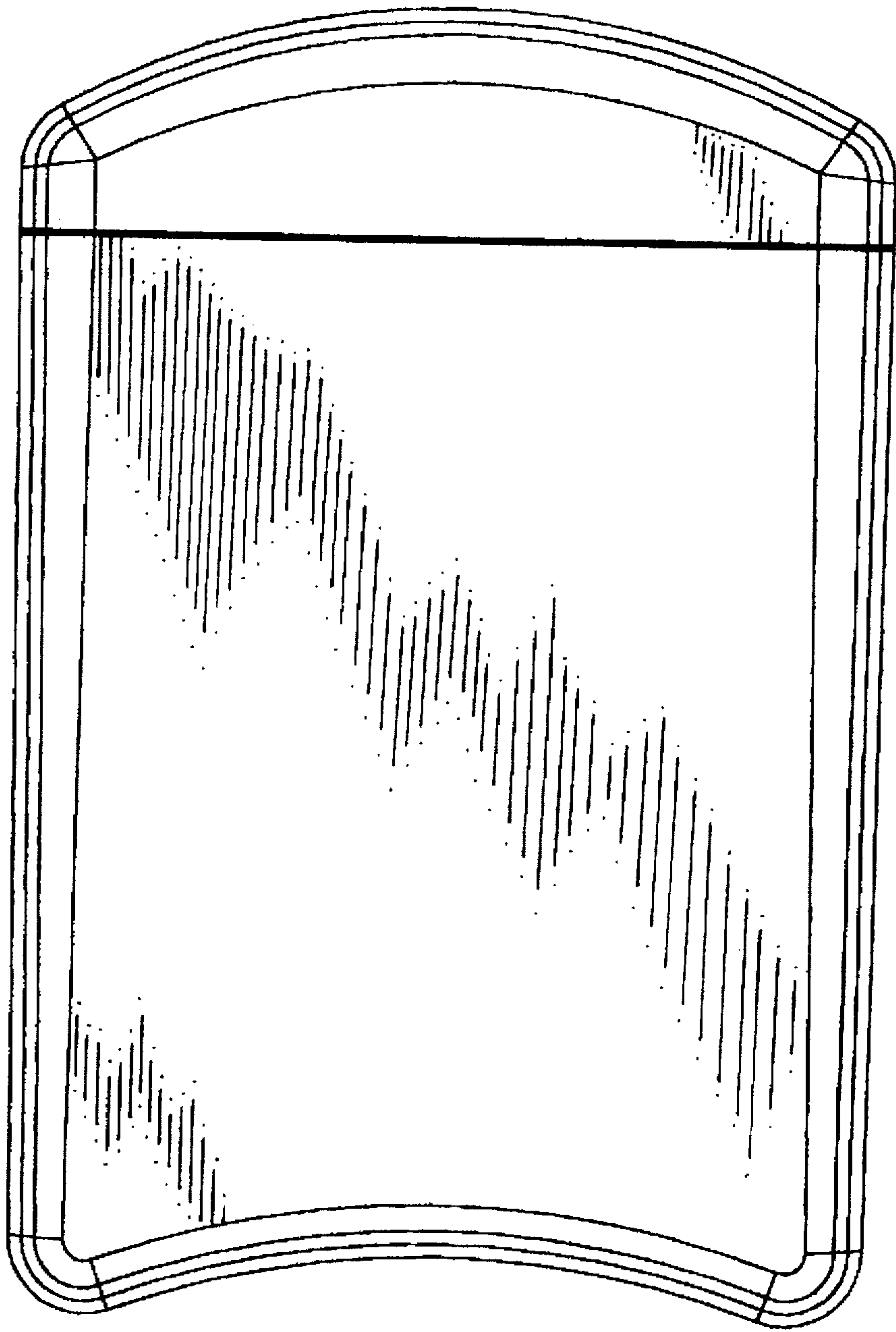


FIG. 4

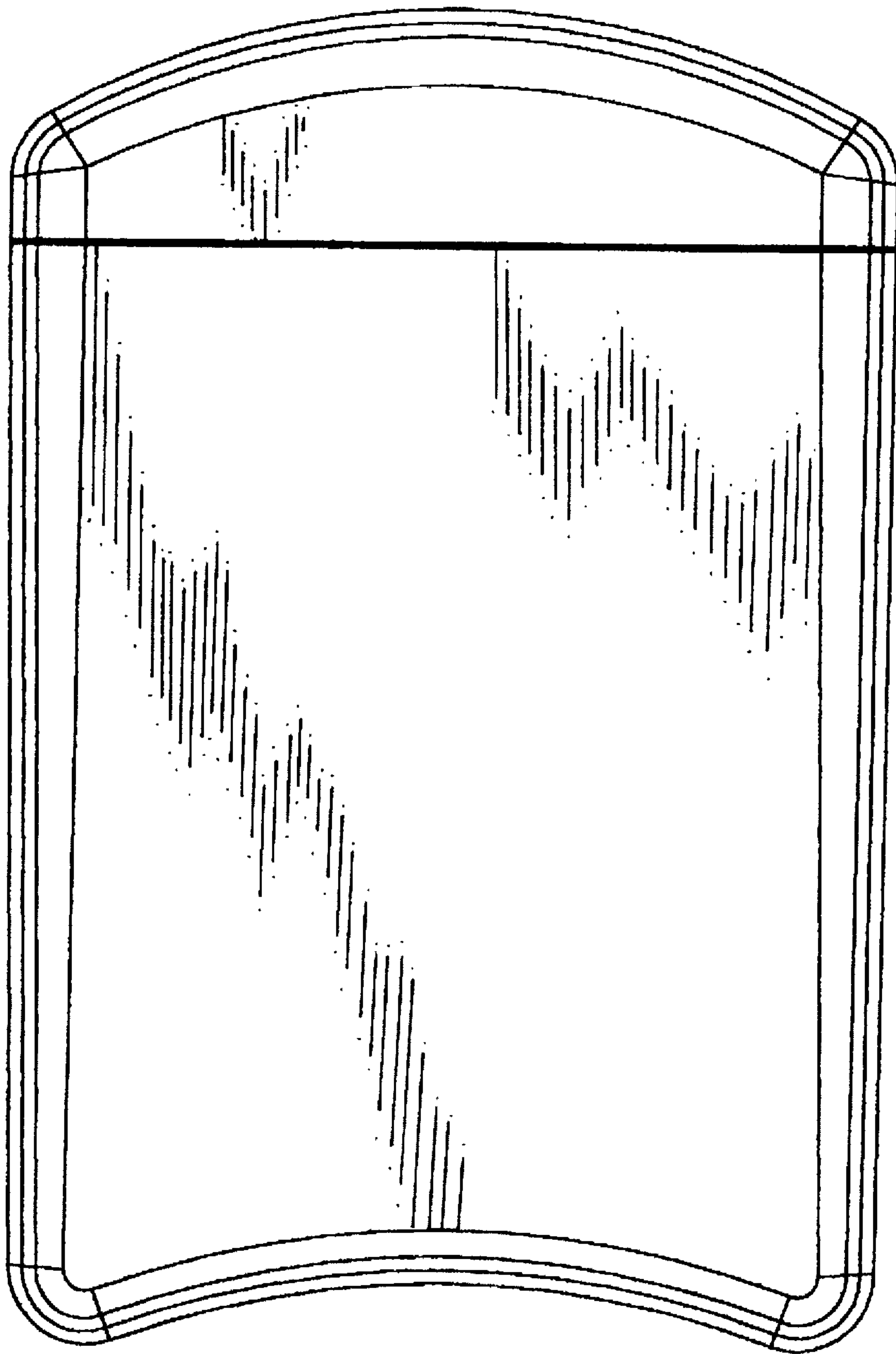


FIG. 5

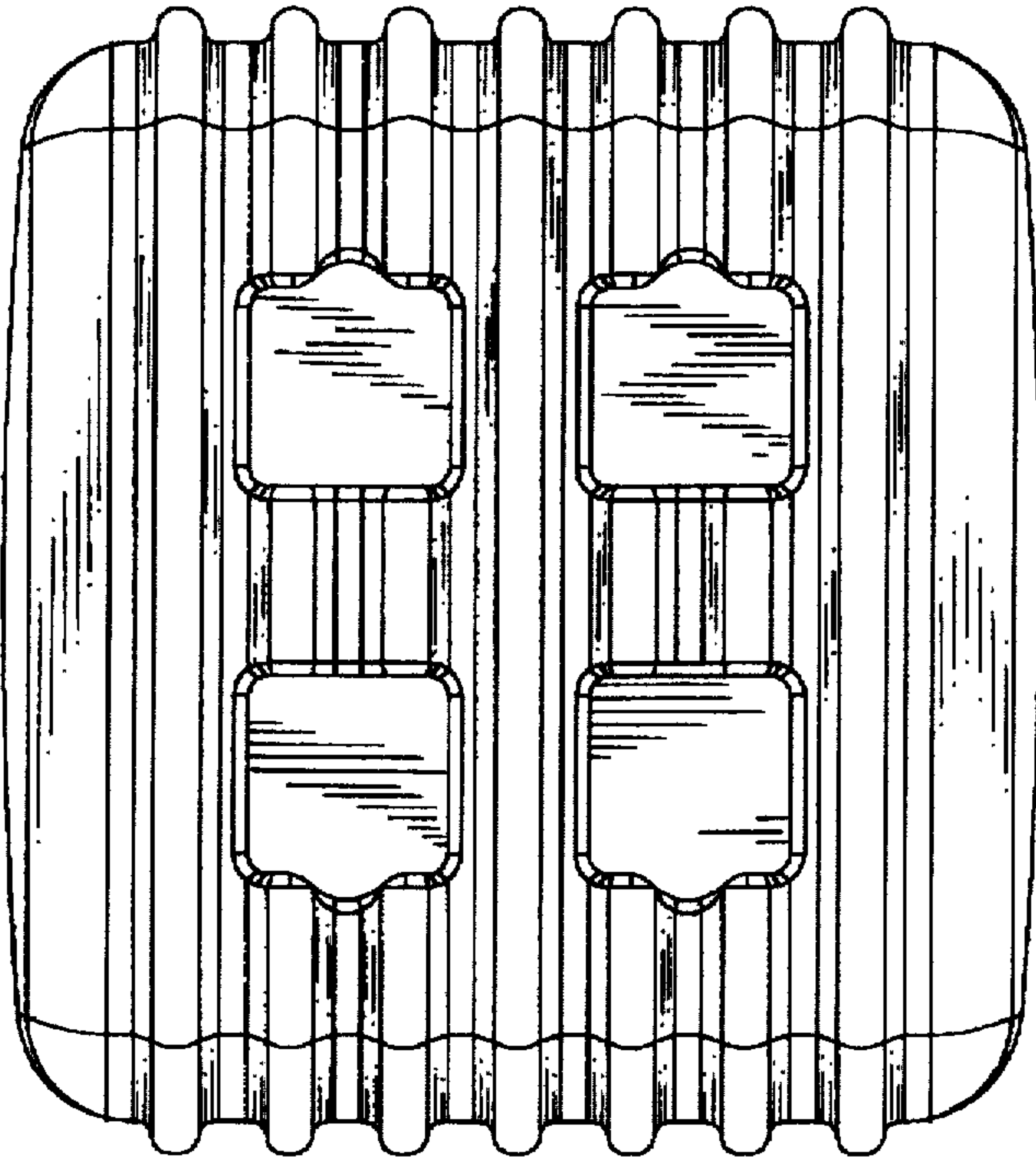


FIG. 6

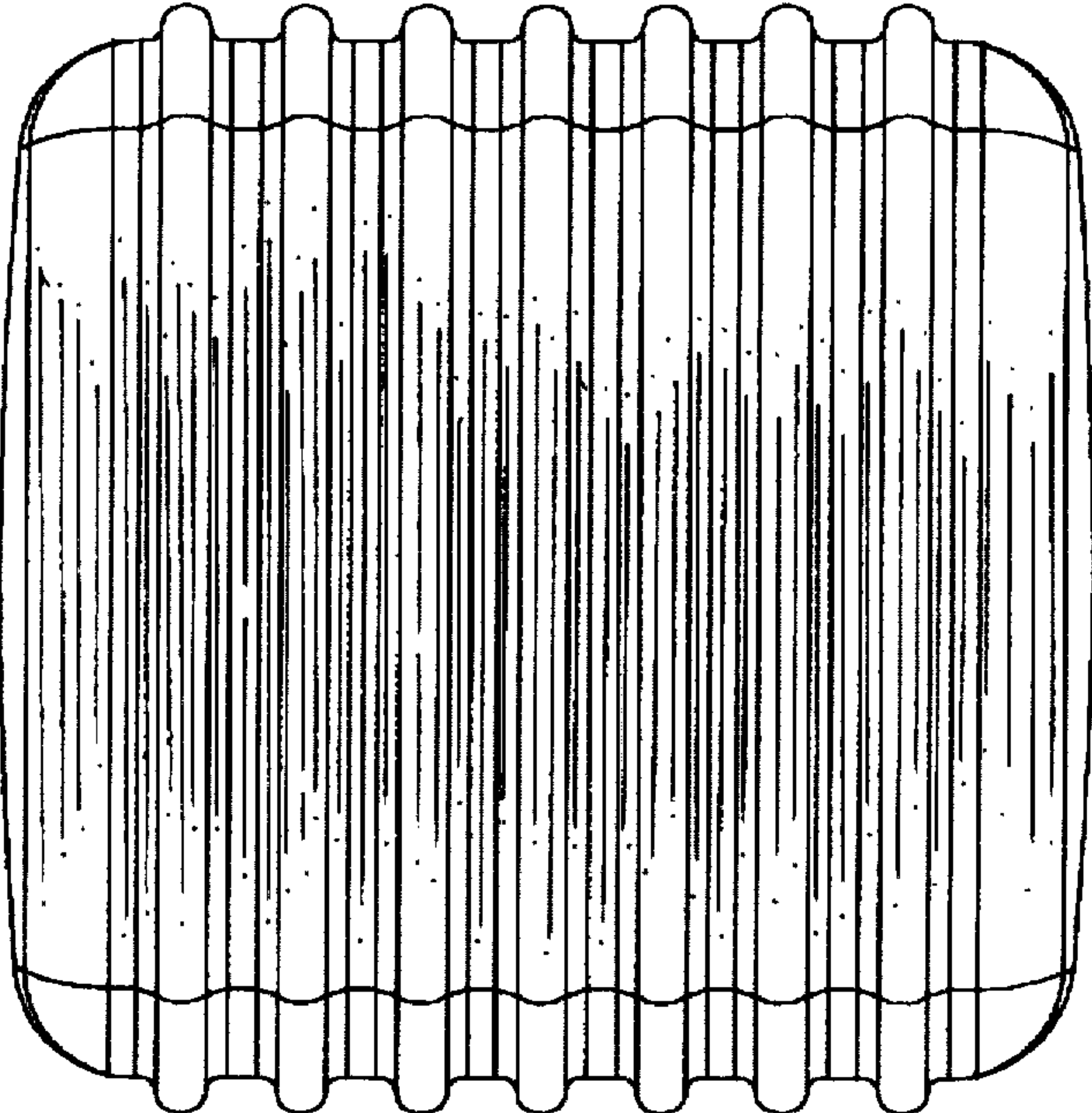


FIG. 7