



US00D389350S

United States Patent [19]

Davis et al.

[11] Patent Number: **Des. 389,350**

[45] Date of Patent: ****Jan. 20, 1998**

[54] **TISSUE CANISTER**

[76] Inventors: **Lauren A. Davis**, P.O. Box 211;
Dennis G. Kowalski, 109 Lake Aire
Dr., both of Chetek, Wis. 54728

[**] Term: **14 Years**

[21] Appl. No.: **59,634**

[22] Filed: **Aug. 28, 1996**

[51] LOC (6) Cl. **07-07**

[52] U.S. Cl. **D6/520**

[58] Field of Search D6/518, 520-523;
D3/201, 202, 254, 901; 206/139, 427, 389,
391, 394; 242/423.1, 560, 594.3; D7/601,
602, 615, 701

[56] **References Cited**

U.S. PATENT DOCUMENTS

D. 277,815	3/1985	Veilleux	D6/520
D. 306,810	3/1990	Michaud	D6/523
D. 319,552	9/1991	Christensen	D6/520
D. 361,005	8/1995	Traver	D6/520
4,089,481	5/1978	Cruci	242/55.53
4,199,078	4/1980	Ramirez	206/391 X
4,205,802	6/1980	Ecnomakis	242/553

4,341,252	7/1982	Schenk	160/45
5,040,579	8/1991	Rahmann	206/389 X
5,377,866	1/1995	Watters, III	221/194

Primary Examiner—Brian N. Vinson
Attorney, Agent, or Firm—David L. Volk

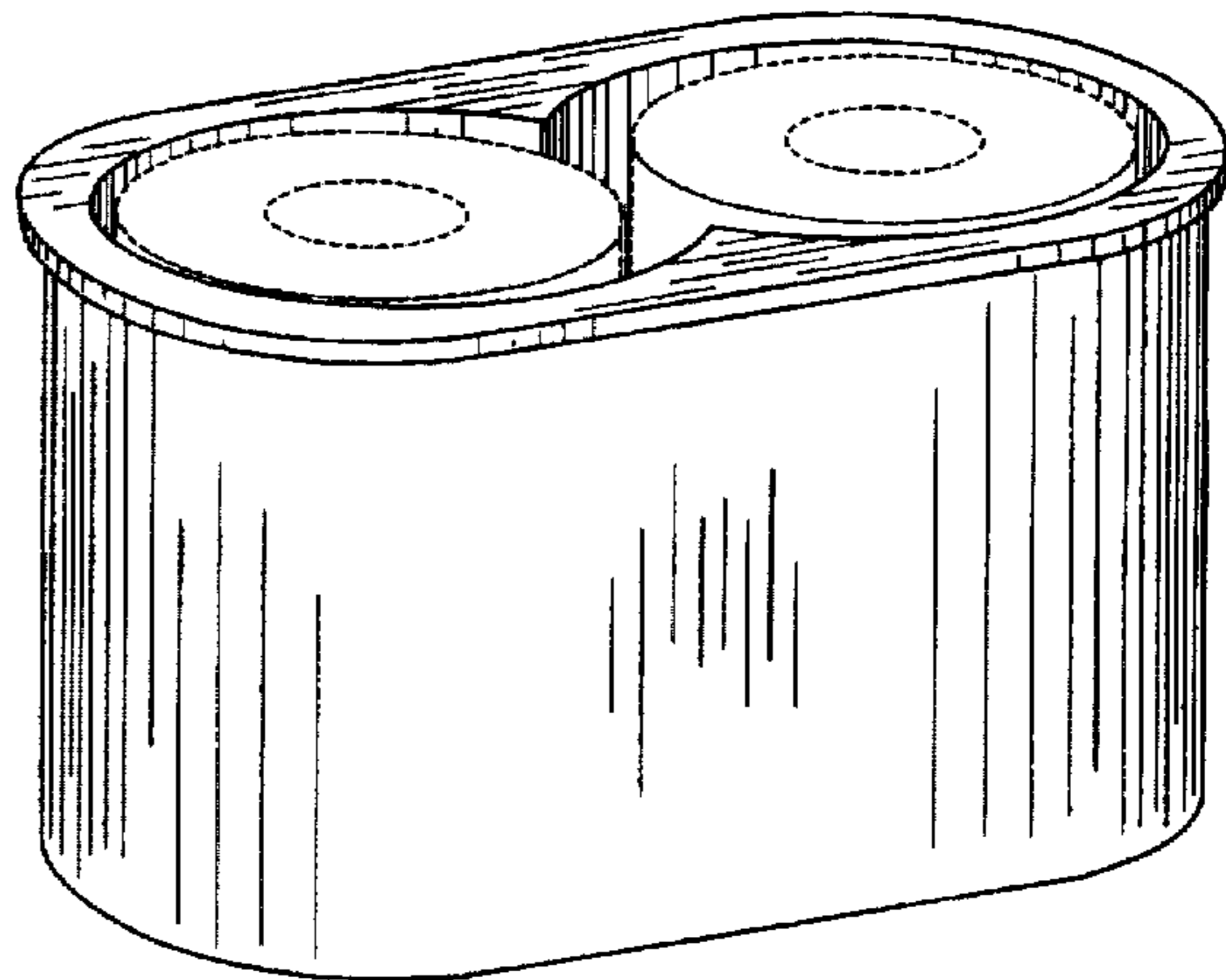
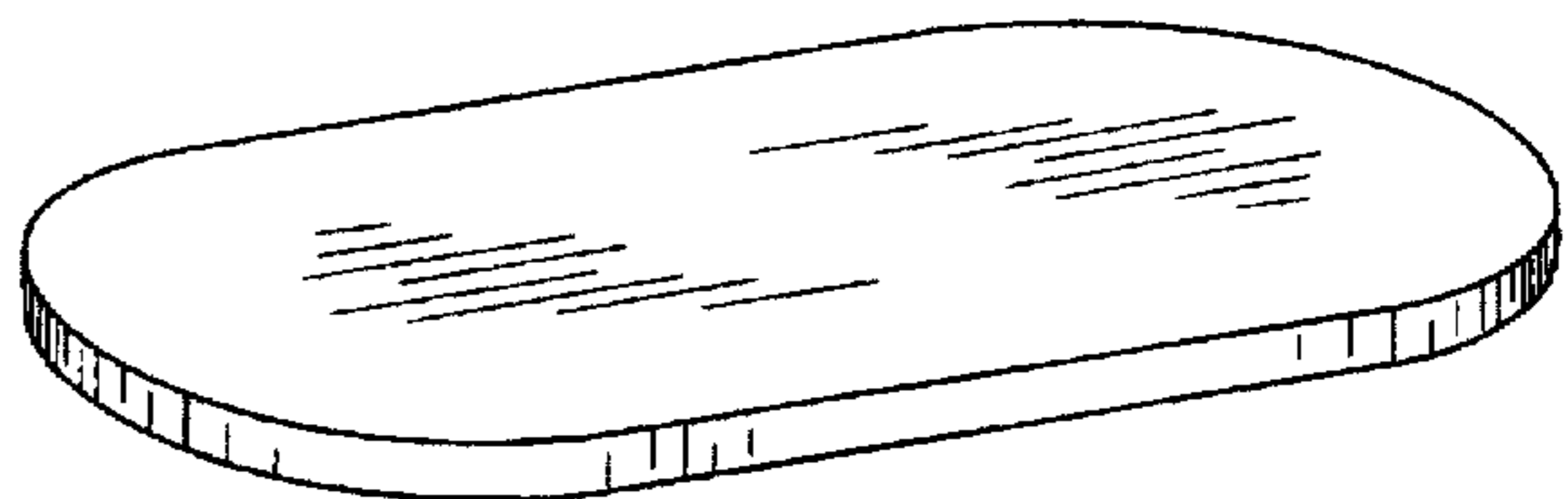
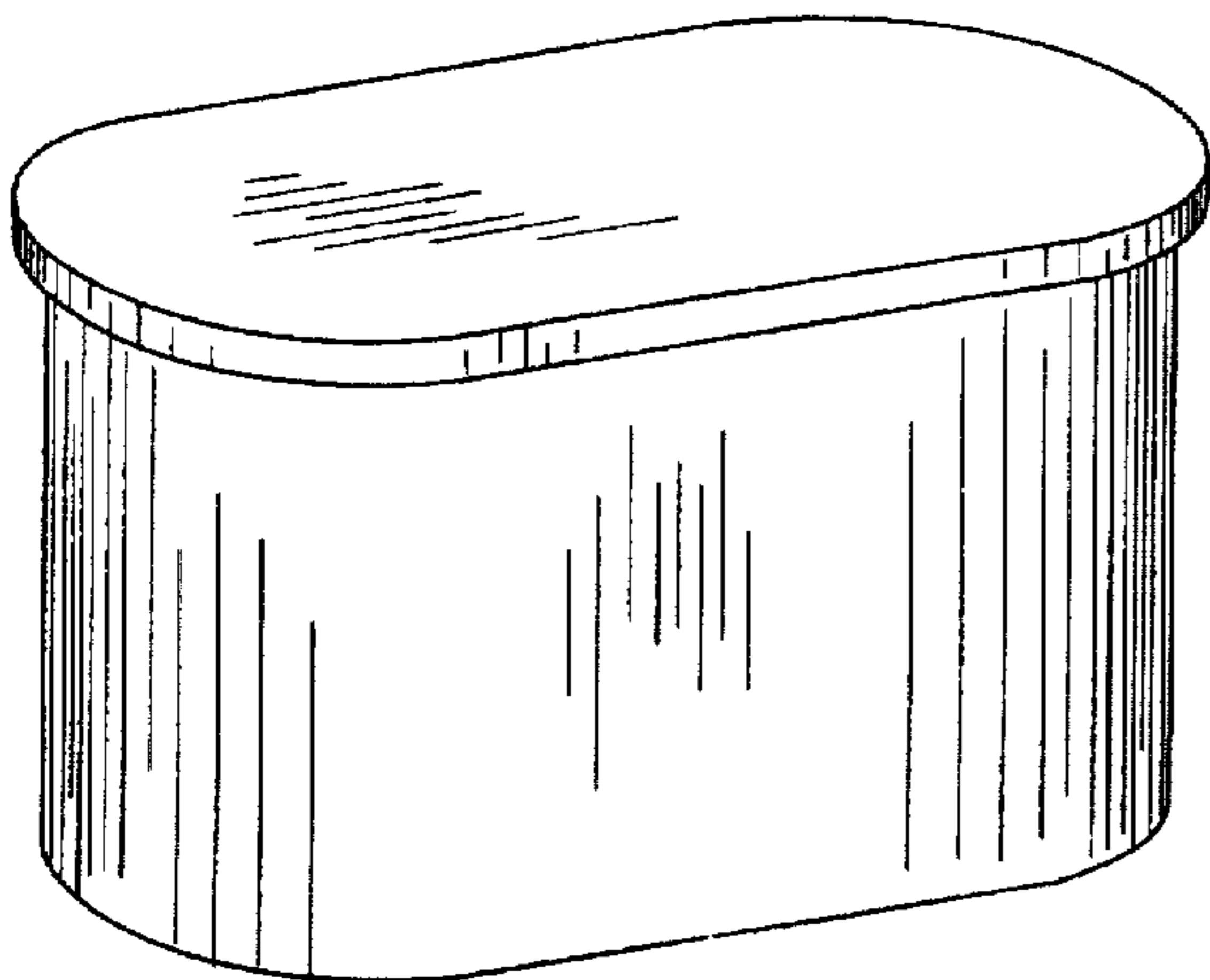
[57] **CLAIM**

The ornamental design for a tissue canister, as shown and described.

DESCRIPTION

FIG. 1 is a perspective view of a tissue canister showing my new design;
 FIG. 2 is a perspective view thereof with the lid removed and tissue stored in the canister;
 FIG. 3 is a perspective view thereof with the lid removed, showing the underside of the lid;
 FIG. 4 is a front elevational view thereof with the lid removed, the opposite side being the same;
 FIG. 5 is a left side elevational view thereof with the lid not shown;
 FIG. 6 is a top plan view thereof with the lid not shown; and,
 FIG. 7 is a bottom plan view thereof with the lid not shown.
 The dashed lines represent rolls of tissue for use with the present design, and form no part of the claimed invention.

1 Claim, 5 Drawing Sheets



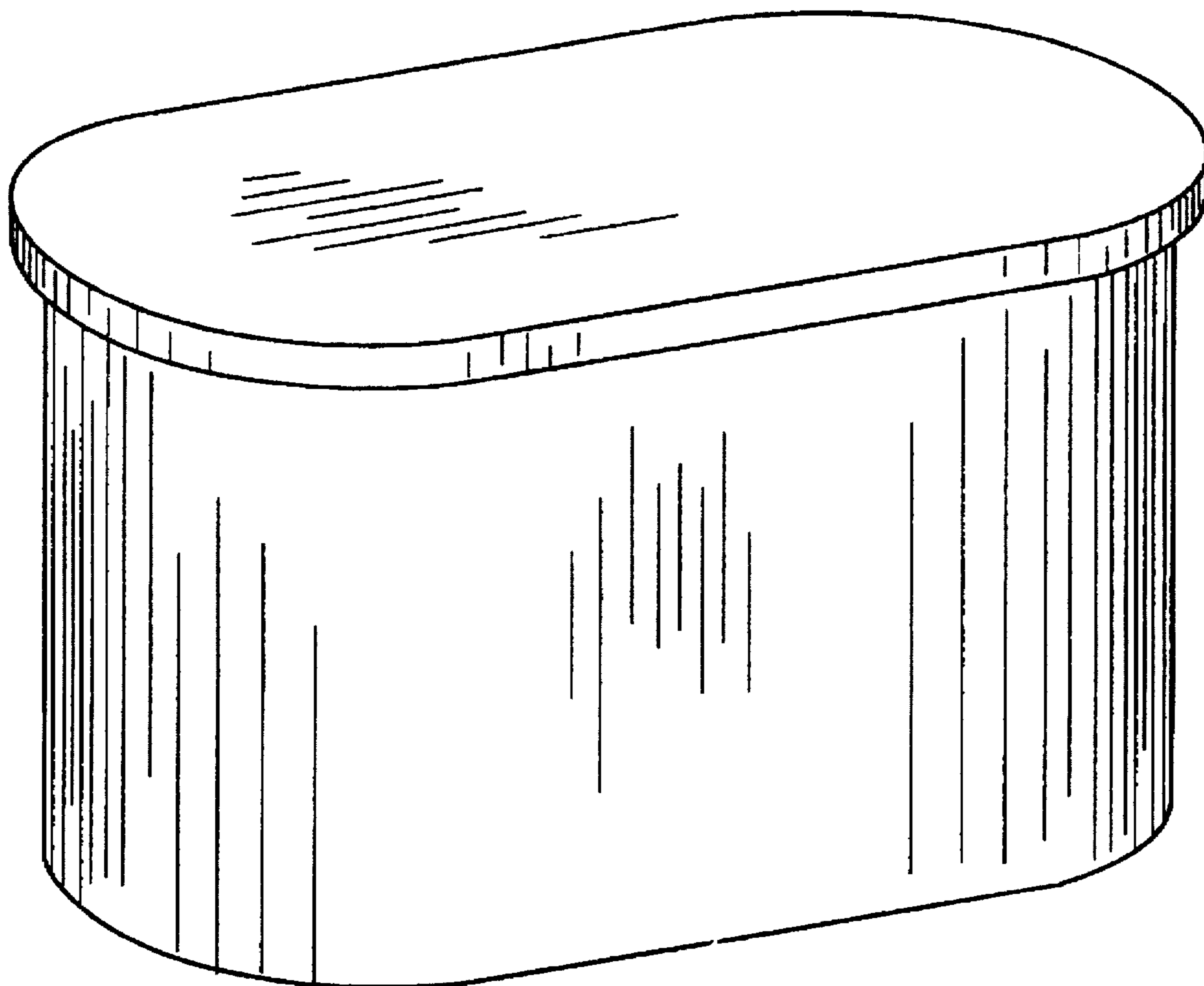


FIG. 1

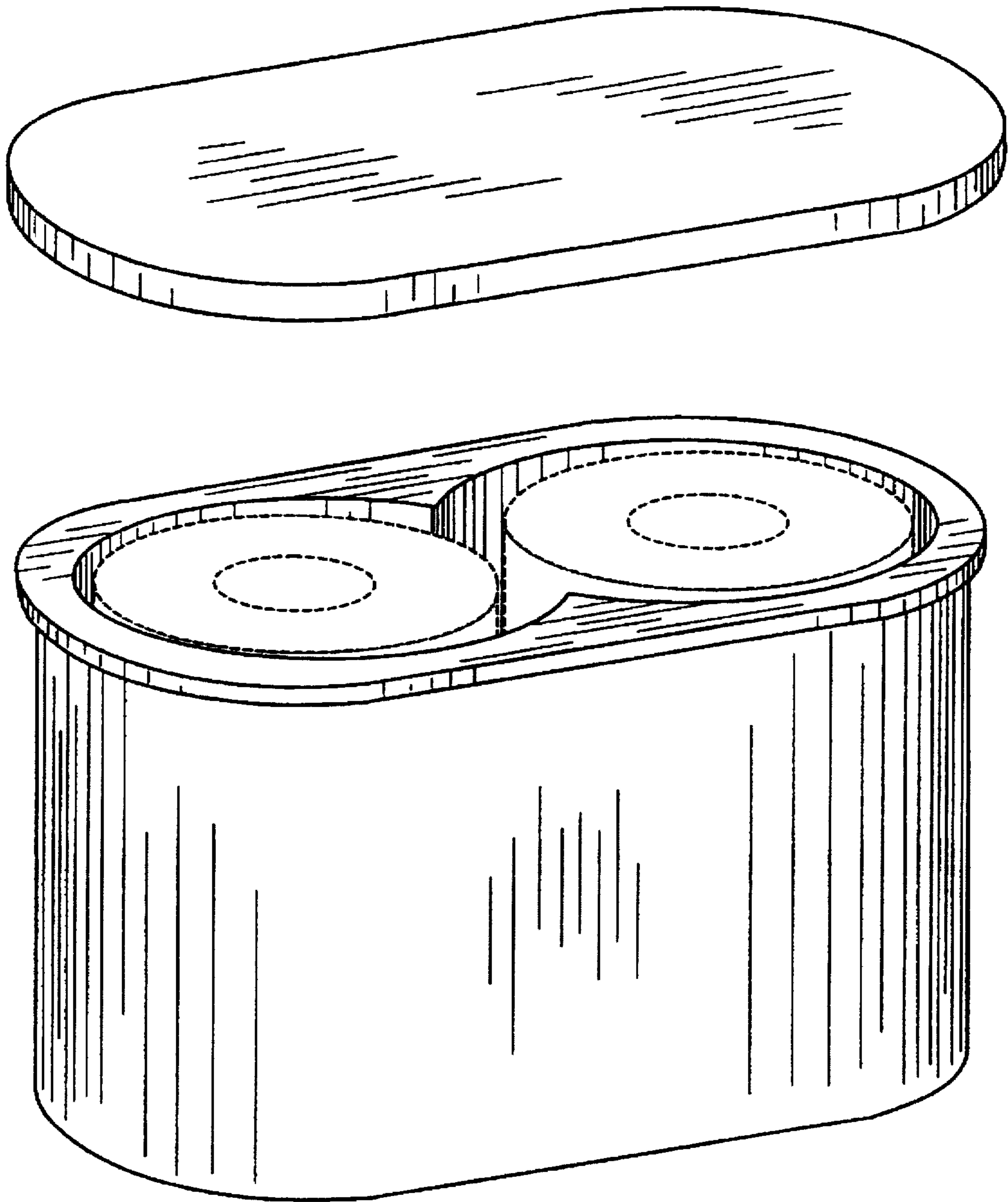


FIG. 2

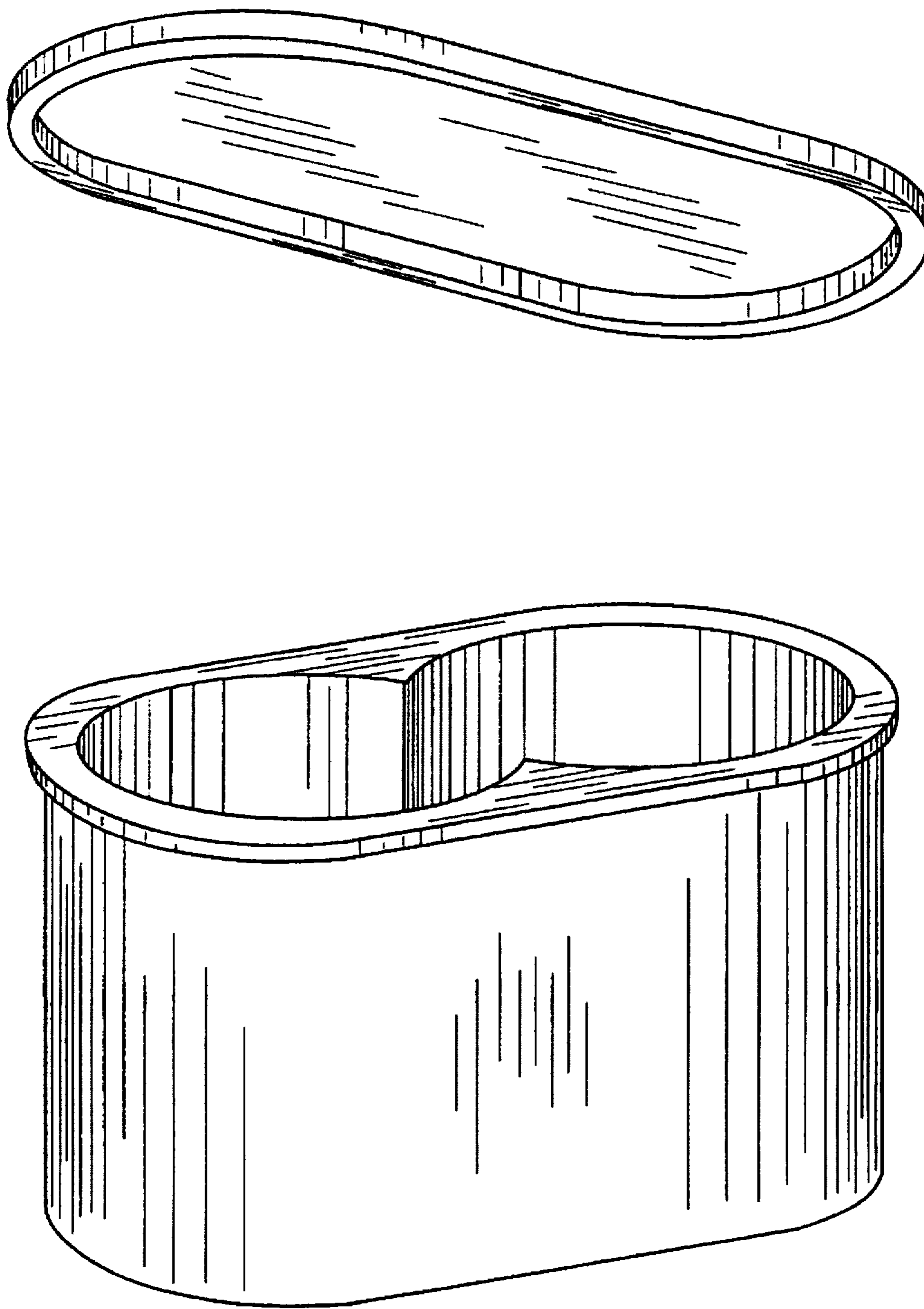


FIG. 3

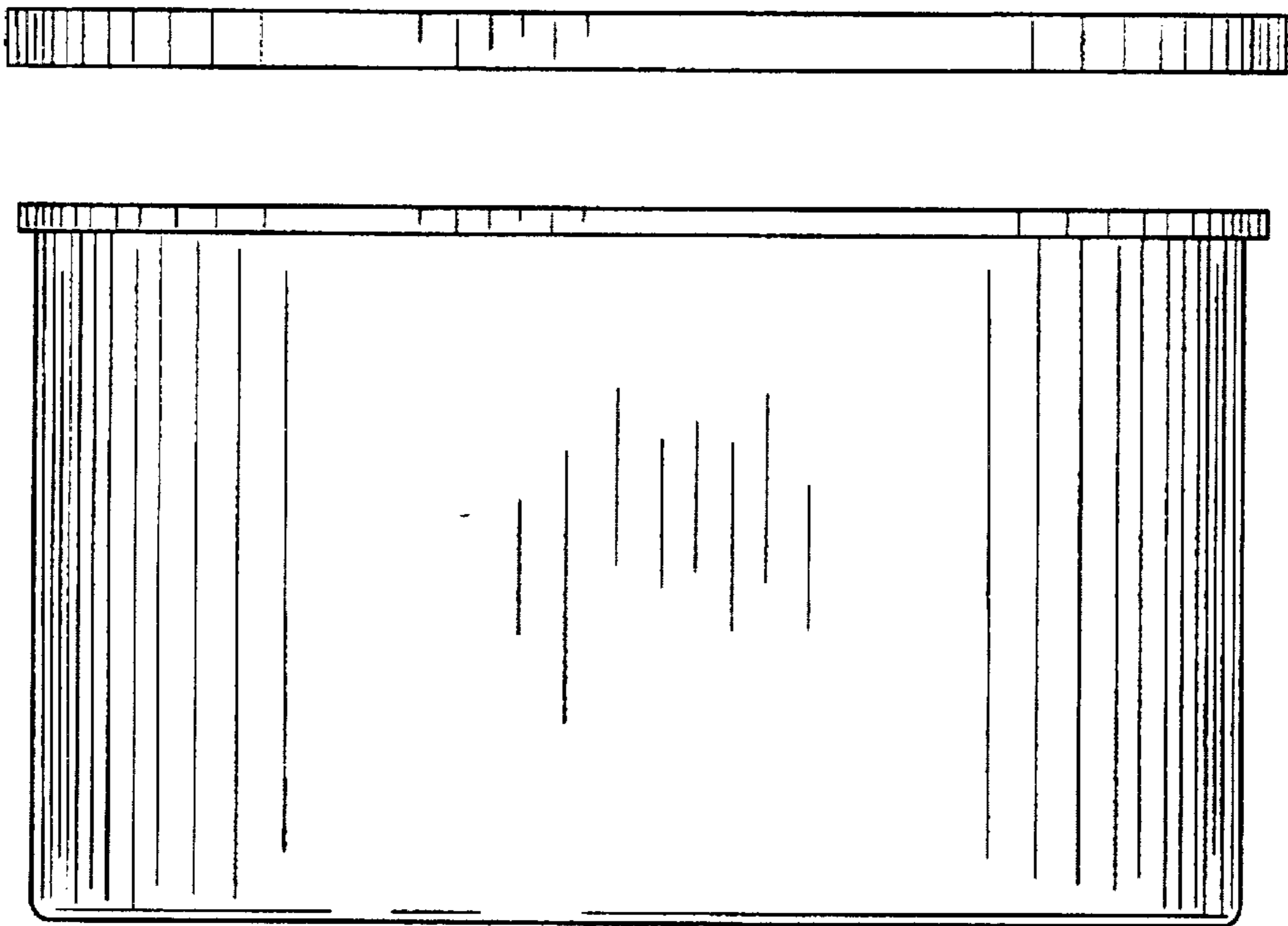


FIG. 4

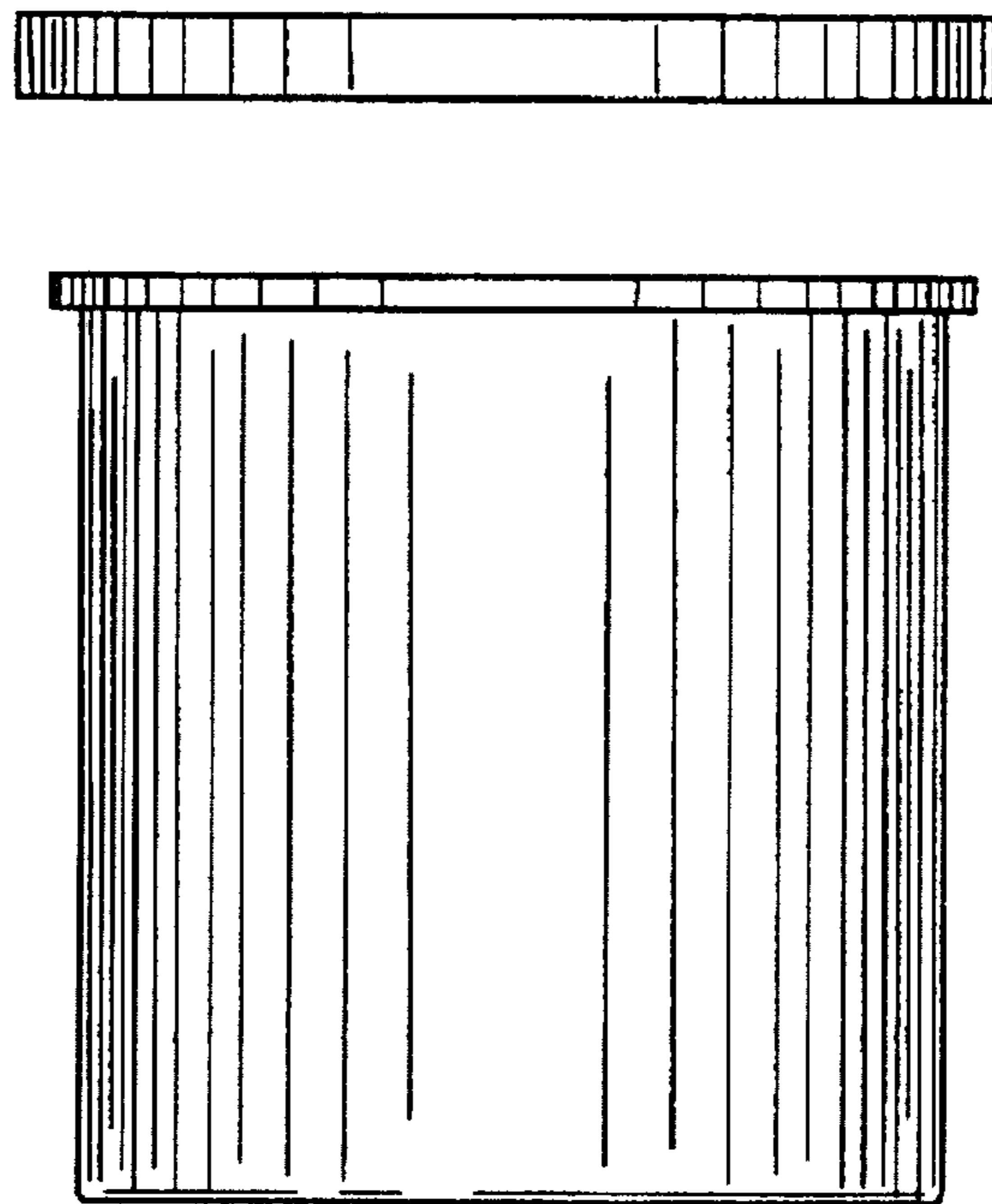


FIG. 5

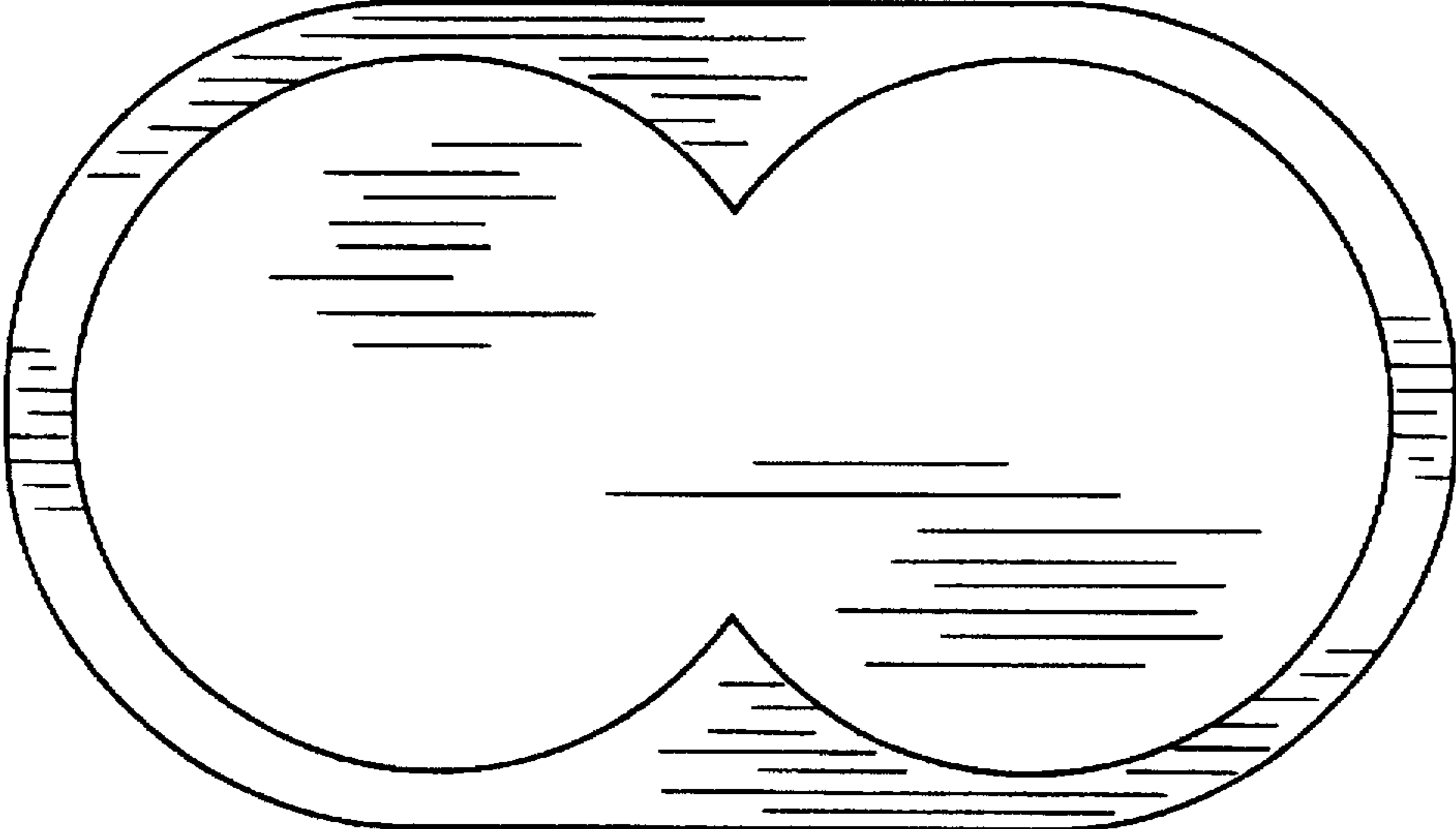


FIG. 6

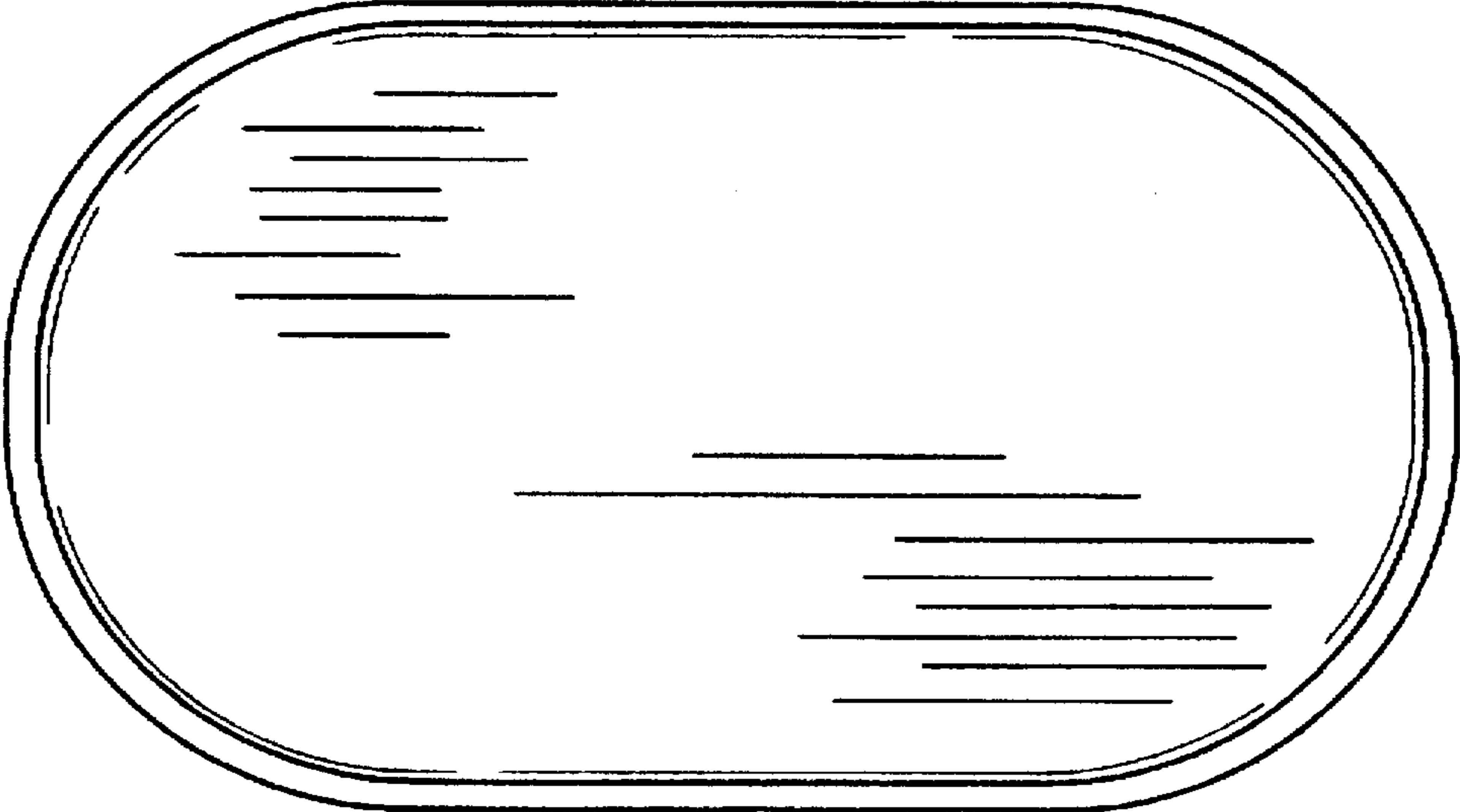


FIG. 7