

US00D389342S

United States Patent [19] Stofflet

[11] Patent Number: Des. 389,342
[45] Date of Patent: **Jan. 20, 1998

[54] MULTI-PURPOSE ARTICLE ORGANIZER

2,812,069 11/1957 Trammell 211/175 X
2,950,014 8/1960 Sullivan 211/151
5,279,430 1/1994 Benton 211/151
5,505,316 4/1996 Lee D6/566 X

[76] Inventor: Ricky Stofflet, 215 Deer Run Rd.,
Bechtelsville, Pa. 19505

[**] Term: 14 Years

Primary Examiner—James Gandy
Assistant Examiner—Linda Brooks
Attorney, Agent, or Firm—Harold H. Dutton, Jr.

[21] Appl. No.: 53,709

[22] Filed: Apr. 26, 1996

[57] CLAIM

[51] LOC (6) Cl. 06-04

The ornamental design for a multi-purpose article organizer,
as shown and described.

[52] U.S. Cl. D6/468; D6/469

[58] Field of Search D6/466, 449, 461,
D6/553, 458, 467, 465, 570, 566, 567,
569; 211/175, 87, 151, 186, 194; 248/161,
152, 157, 423, 424, 174, 176

DESCRIPTION

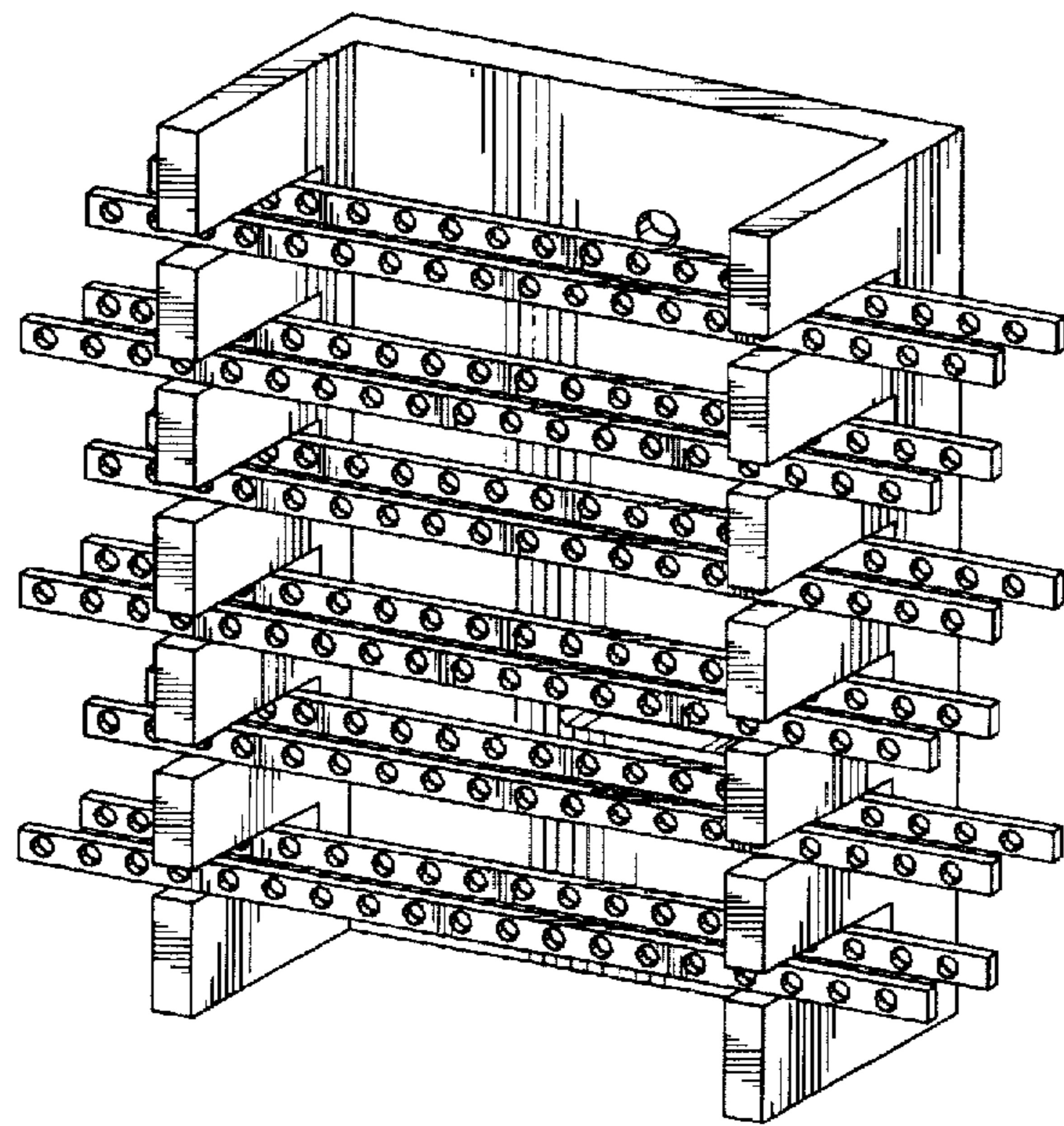
[56] References Cited

FIG. 1 is a perspective view of a multi-purpose article organizer showing my new design;
FIG. 2 is an exploded view of FIG. 1;
FIG. 3 is a rear view of FIG. 1;
FIG. 4 is a right side view of FIG. 1; the left side is a mirror image; and,
FIG. 5 is a top view of FIG. 1; the bottom view is a mirror image thereof.

U.S. PATENT DOCUMENTS

- D. 230,673 3/1974 Blackwell et al. D6/465 X
- D. 273,067 3/1984 Evans D6/462
- D. 291,641 9/1987 Farley D6/465 X
- D. 338,575 8/1993 Takaya et al. D6/467

1 Claim, 5 Drawing Sheets



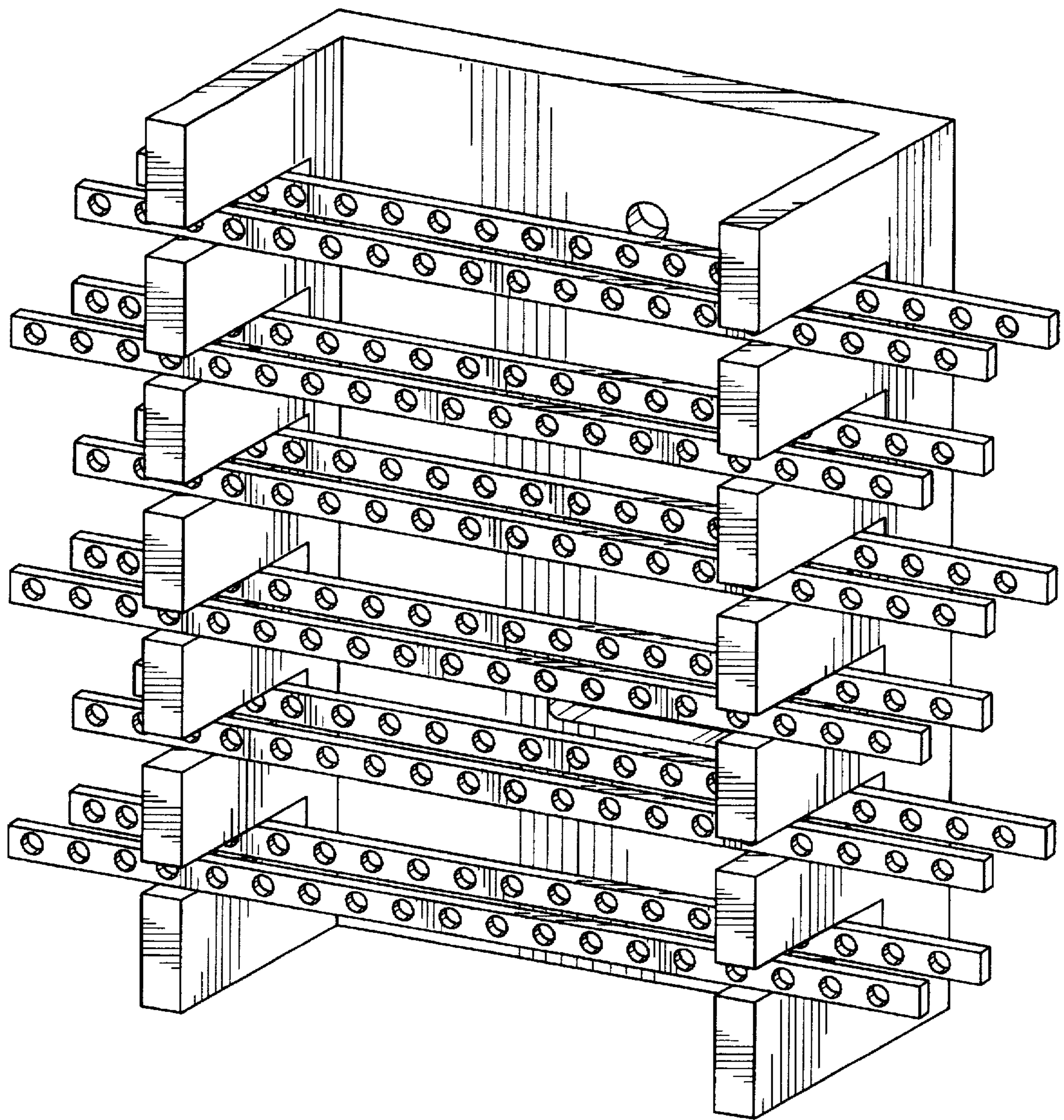


FIG. 1

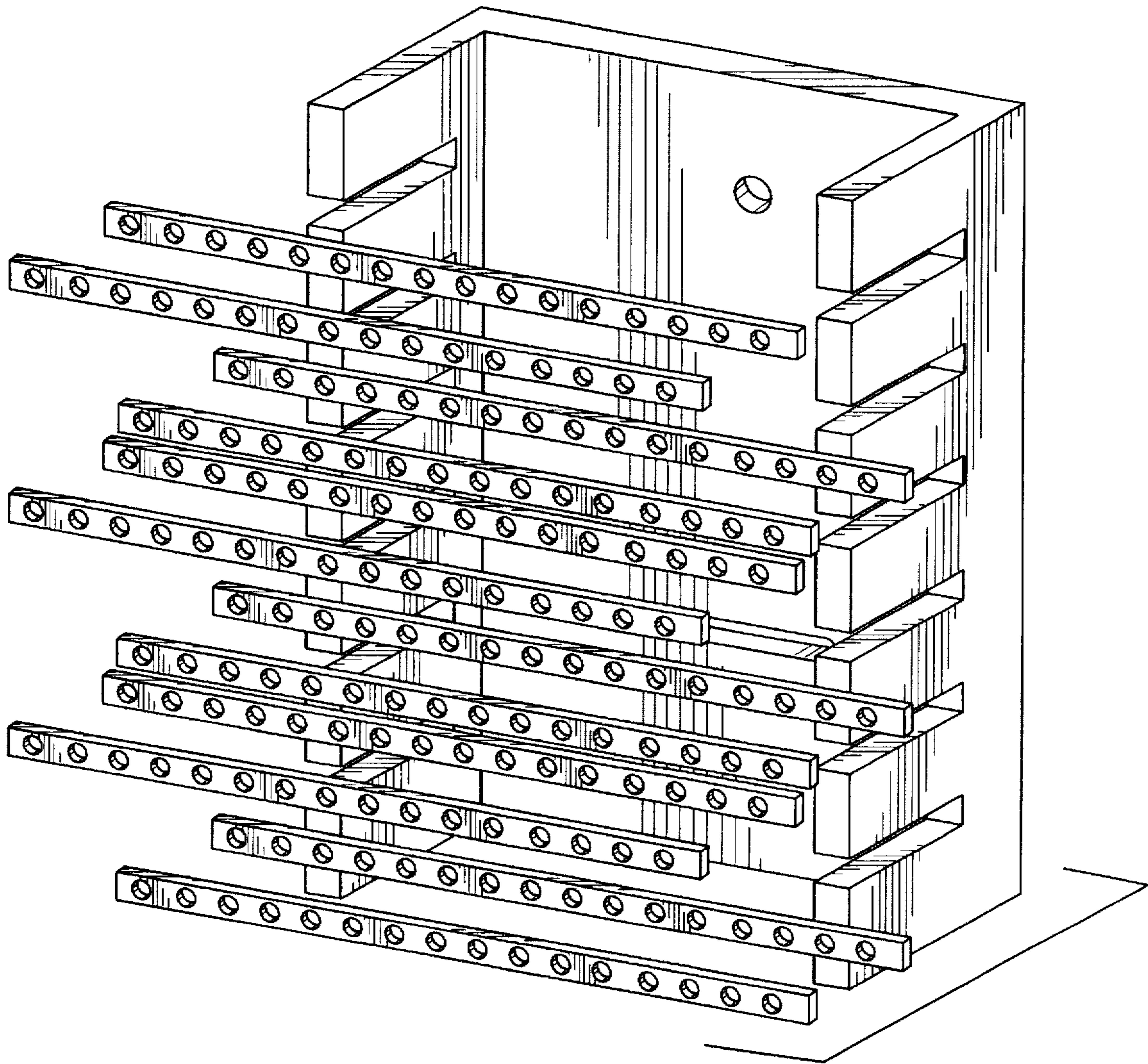


FIG. 2

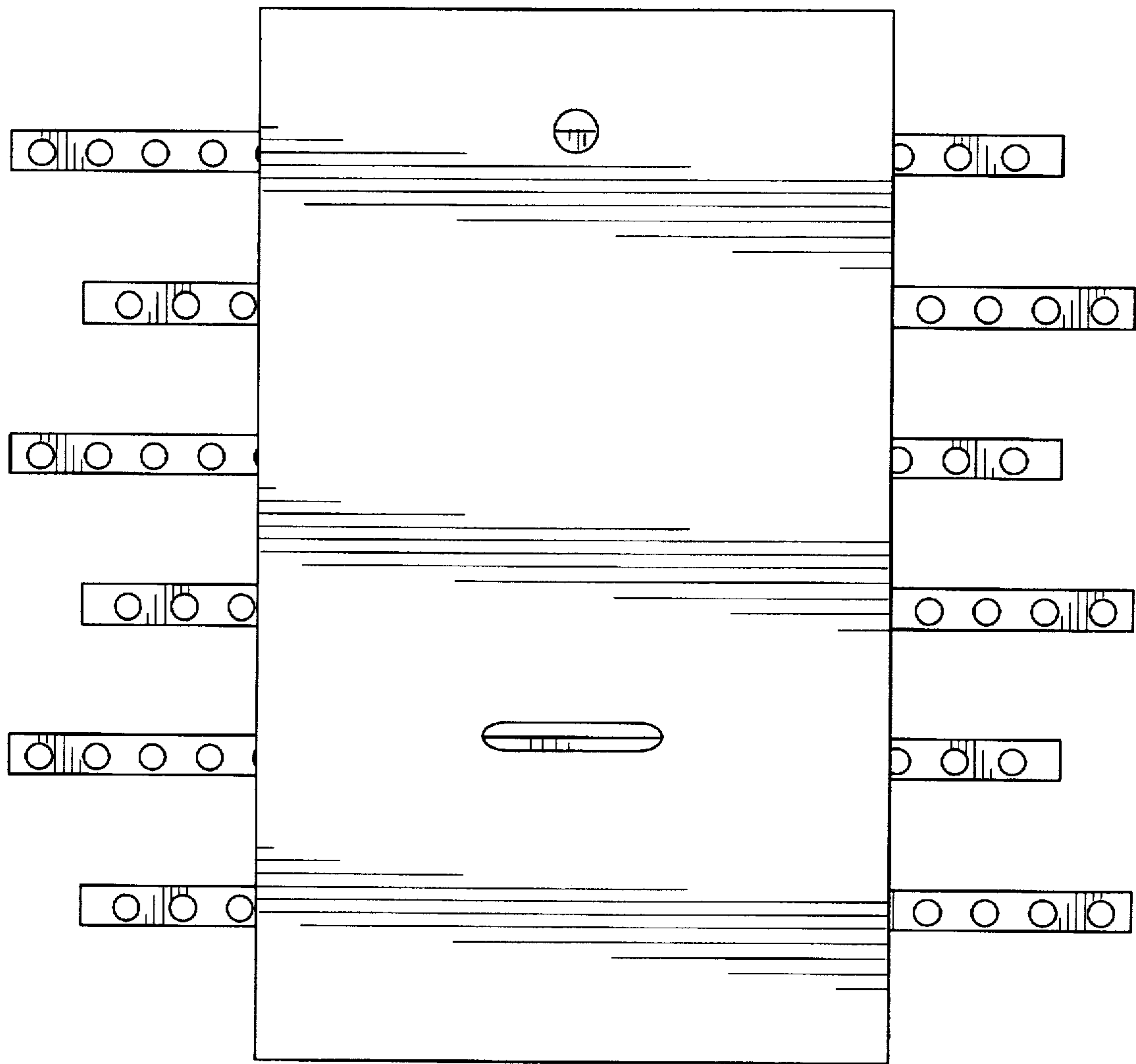


FIG. 3

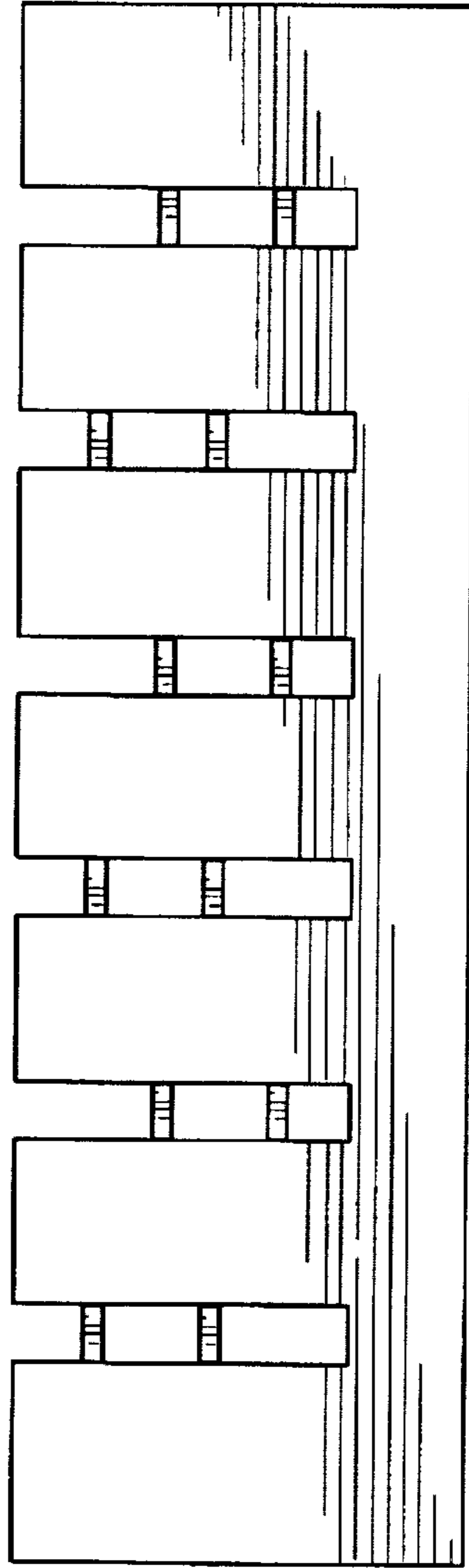


FIG. 4

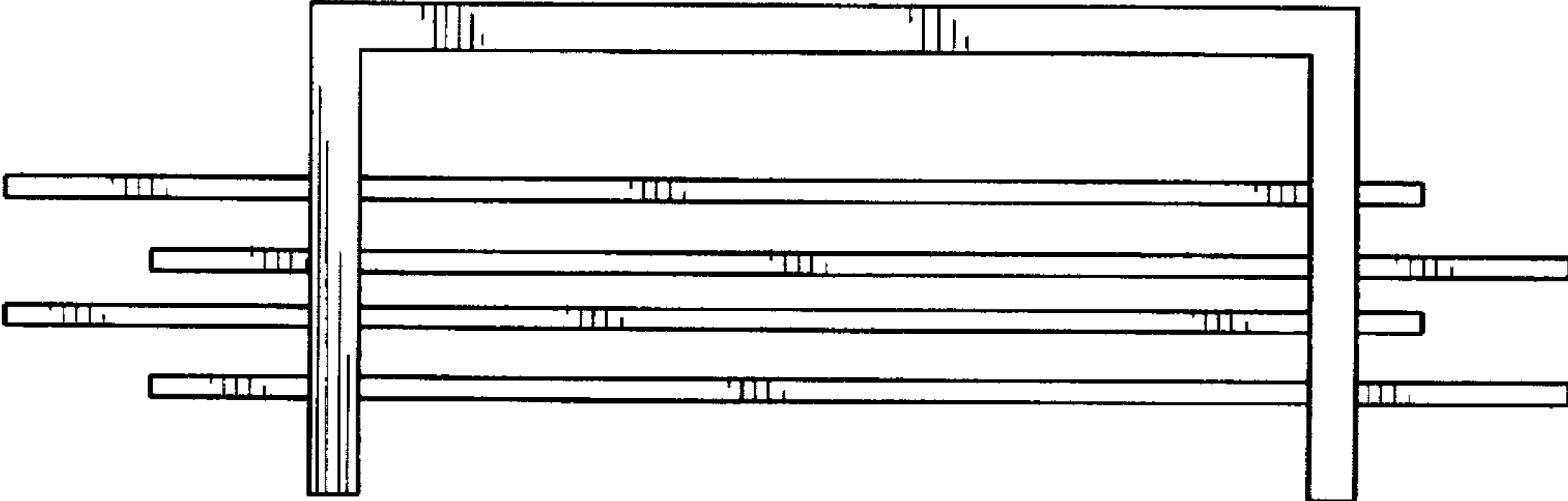


FIG. 5