



US00D389338S

United States Patent [19]

[11] Patent Number: **Des. 389,338**

Vairo

[45] Date of Patent: ****Jan. 20, 1998**

[54] **DISPLAY RACK**

[75] Inventor: **Edward James Vairo**, New York, N.Y.

[73] Assignee: **Crown Crafts, Incorporated**, Atlanta, Ga.

[**] Term: **14 Years**

D. 182,356	3/1958	Cohen	D6/458
D. 240,102	6/1976	Redler	D6/458
D. 250,619	12/1978	Newman	D6/458
D. 255,292	6/1980	Gibson	D6/465
D. 263,905	4/1982	Flora	D6/553
D. 272,783	2/1984	Gelles	D6/85
1,441,868	1/1923	Martin	.	
1,485,852	3/1924	Jarvis	248/153 X
4,577,767	3/1986	Geschwender	211/190

[21] Appl. No.: **64,836**

[22] Filed: **Jan. 10, 1997**

[51] LOC (6) Cl. **06-04**

[52] U.S. Cl. **D6/458**

[58] Field of Search D6/462, 315, 317, D6/411, 412, 415, 455, 458-461, 463, 467, 468, 465; 211/1, 13, 33, 60.1, 62, 107, 112, 41, 133, 181; 248/175, 176.1, 127, 146, 153, 165; D20/19, 21

Primary Examiner—James Gandy
Assistant Examiner—Linda Brooks
Attorney, Agent, or Firm—Howrey & Simon

[57] **CLAIM**

The ornamental design for a display rack, as shown and described.

DESCRIPTION

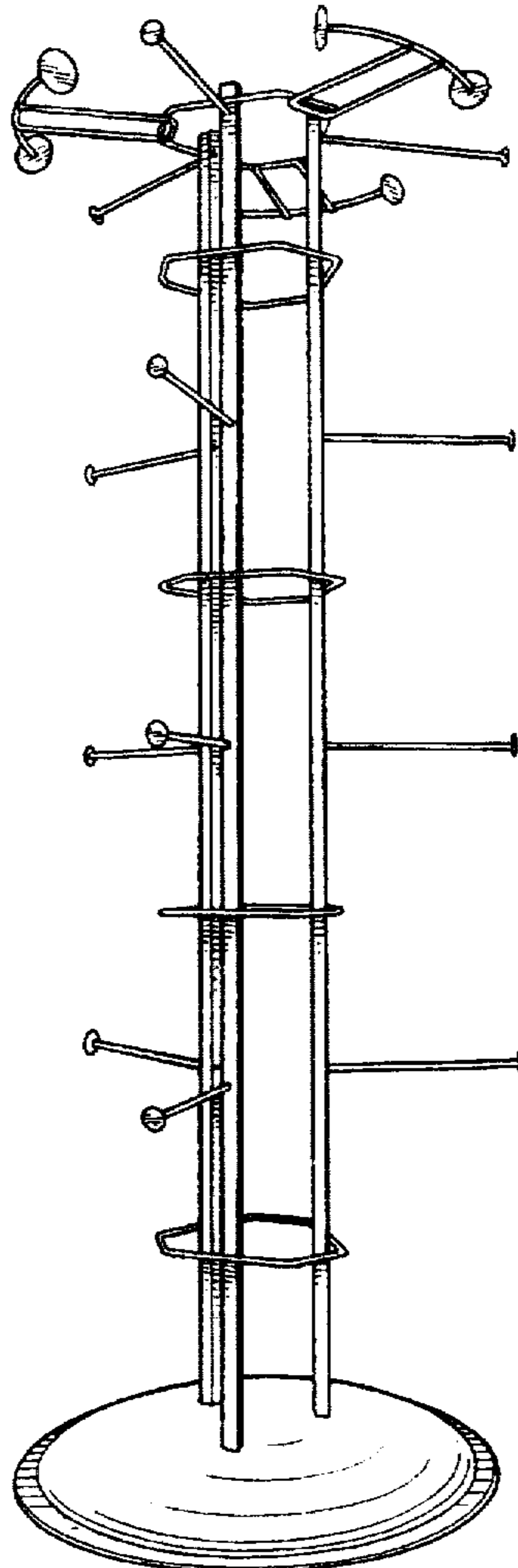
FIG. 1 is a perspective view of a display rack showing my new design;
FIG. 2 is an enlarged top plan view thereof; and,
FIG. 3 is another perspective view thereof.

[56] **References Cited**

U.S. PATENT DOCUMENTS

D. 174,912	6/1955	Mangin	D6/190
D. 179,891	3/1957	Flannery	D6/458

1 Claim, 3 Drawing Sheets



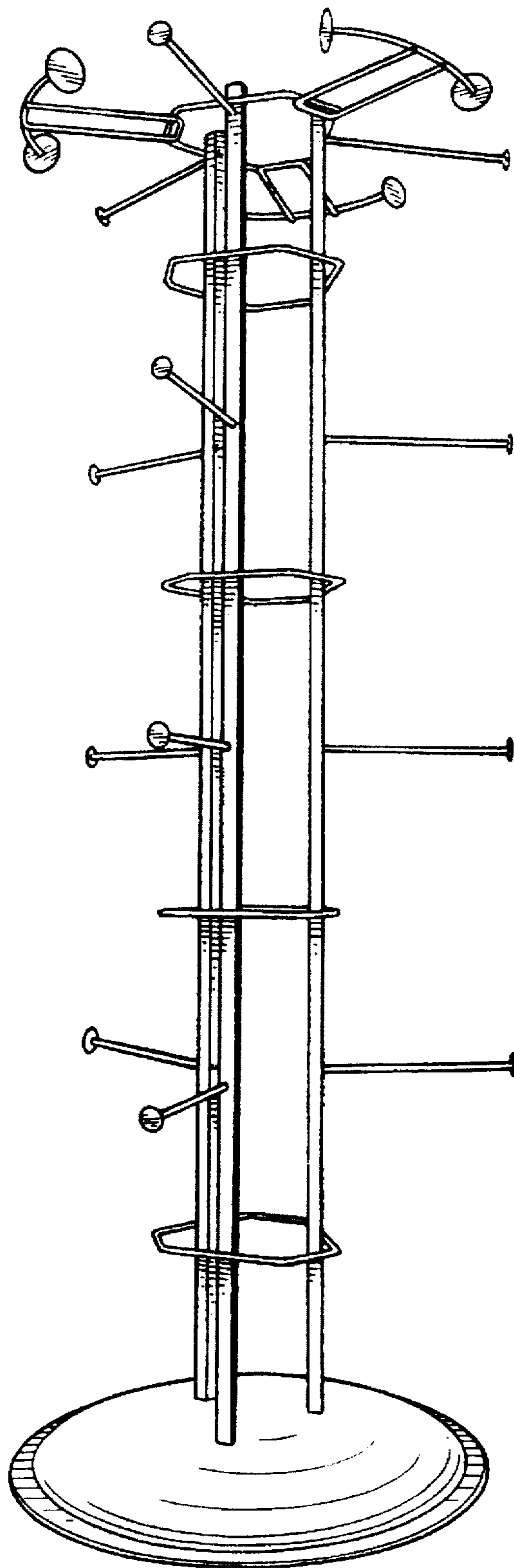


FIG. 1

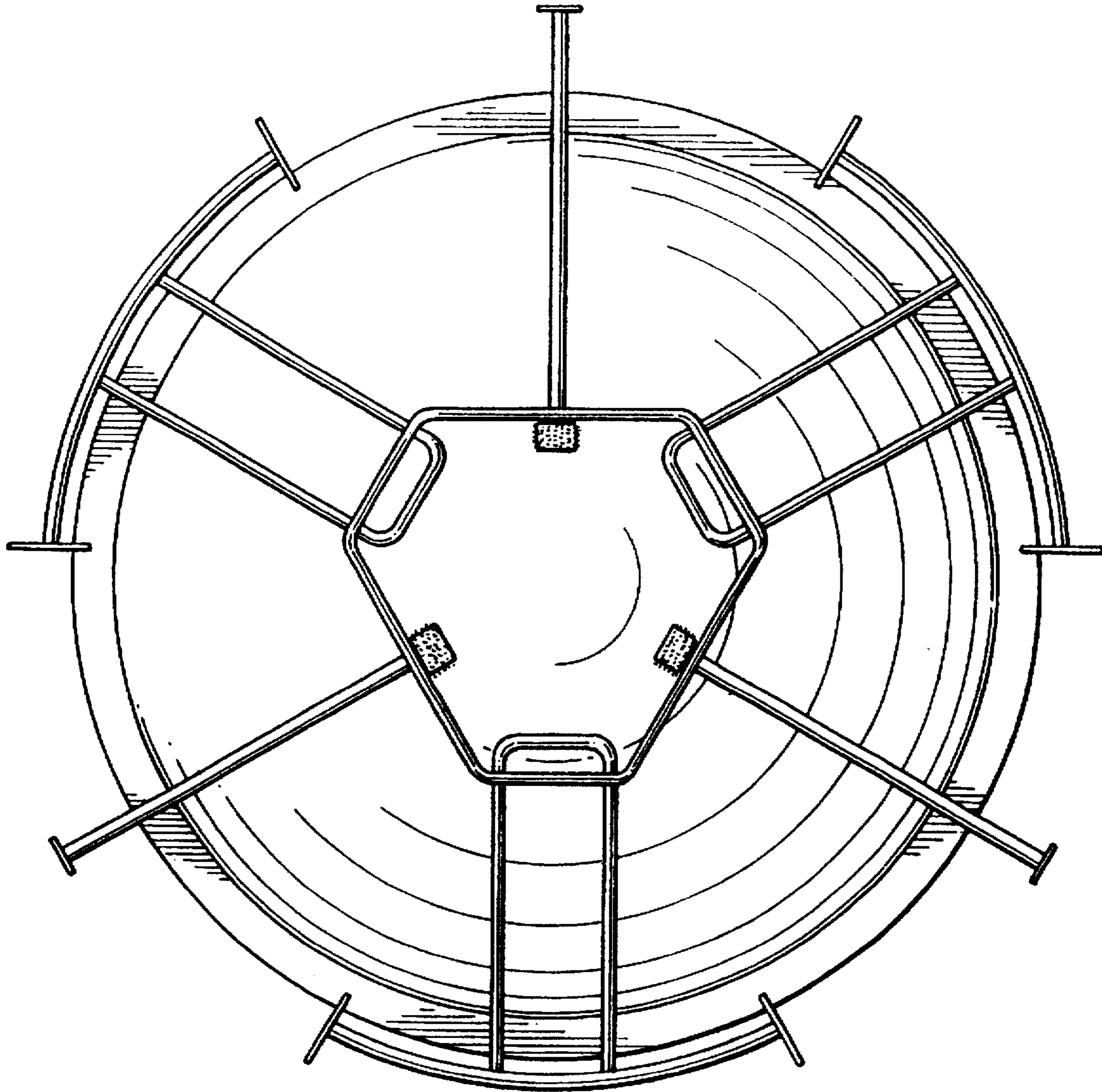


FIG. 2

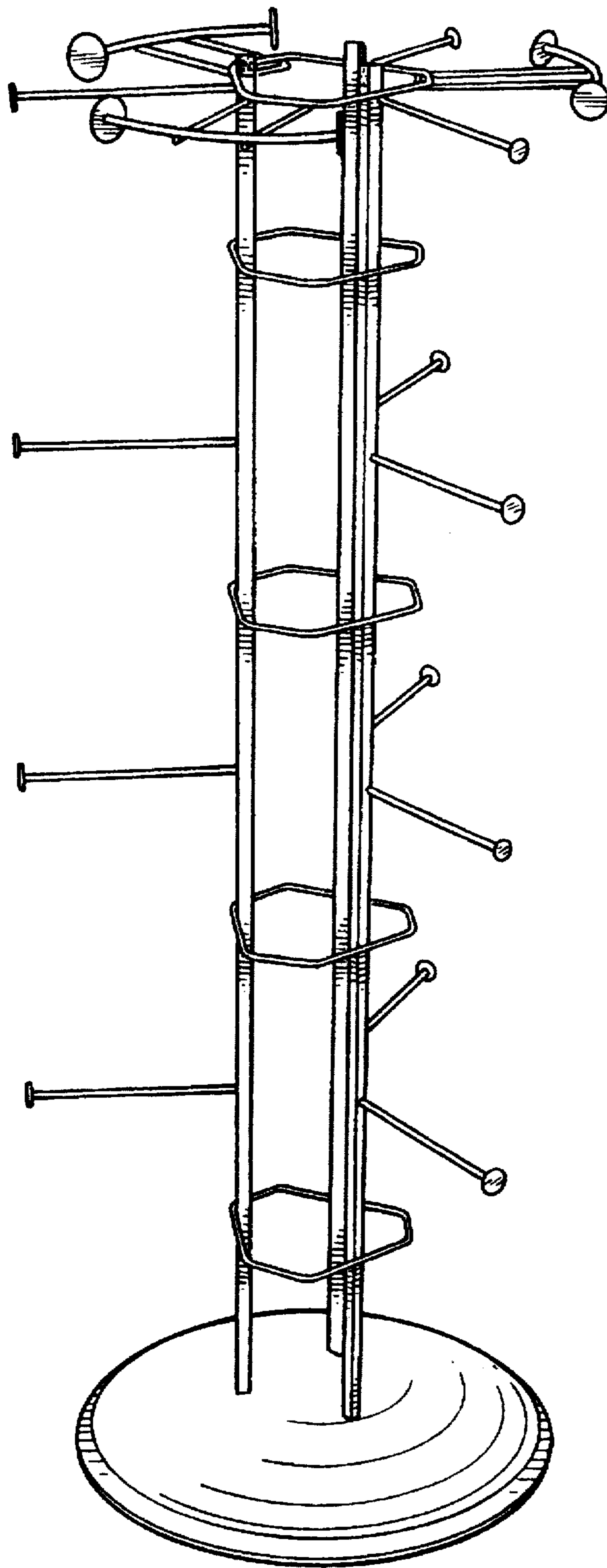


FIG. 3