

US00D389336S

United States Patent [19]

Moore

[11] Patent Number: **Des. 389,336**

[45] Date of Patent: ****Jan. 20, 1998**

[54] **DESK UNIT**

[76] Inventor: **Edward Moore, c/o 215 Grand Pre,
L'Acadie, Quebec, Canada, J2Y 1J6**

[**] Term: **14 Years**

[21] Appl. No.: **64,172**

[22] Filed: **Dec. 23, 1996**

[51] LOC (6) Cl. **06-03**

[52] U.S. Cl. **D6/426**

[58] Field of Search D6/422-428, 474;
312/194-196, 208, 223; 108/50, 59, 60,
64, 108

[56] **References Cited**

U.S. PATENT DOCUMENTS

D. 112,452	12/1938	Oker	D6/428
D. 114,203	4/1939	Wright	D6/426
D. 122,164	8/1940	Immermann	D6/428
D. 168,525	12/1952	Thomas	D6/427 X
D. 268,312	3/1983	Rompotti	D6/474 X
D. 286,353	10/1986	Robolin	D6/474

D. 288,157	2/1987	Sandor	D6/474
D. 330,296	10/1992	Keong	D6/426
D. 330,297	10/1992	Keong	D6/426
D. 330,298	10/1992	Keong	D6/426
D. 339,257	9/1993	Scharer et al.	D6/474
D. 377,873	2/1997	Flototto	D6/427

Primary Examiner—Carmen H. Vales-Lado
Attorney, Agent, or Firm—McFadden, Fincham

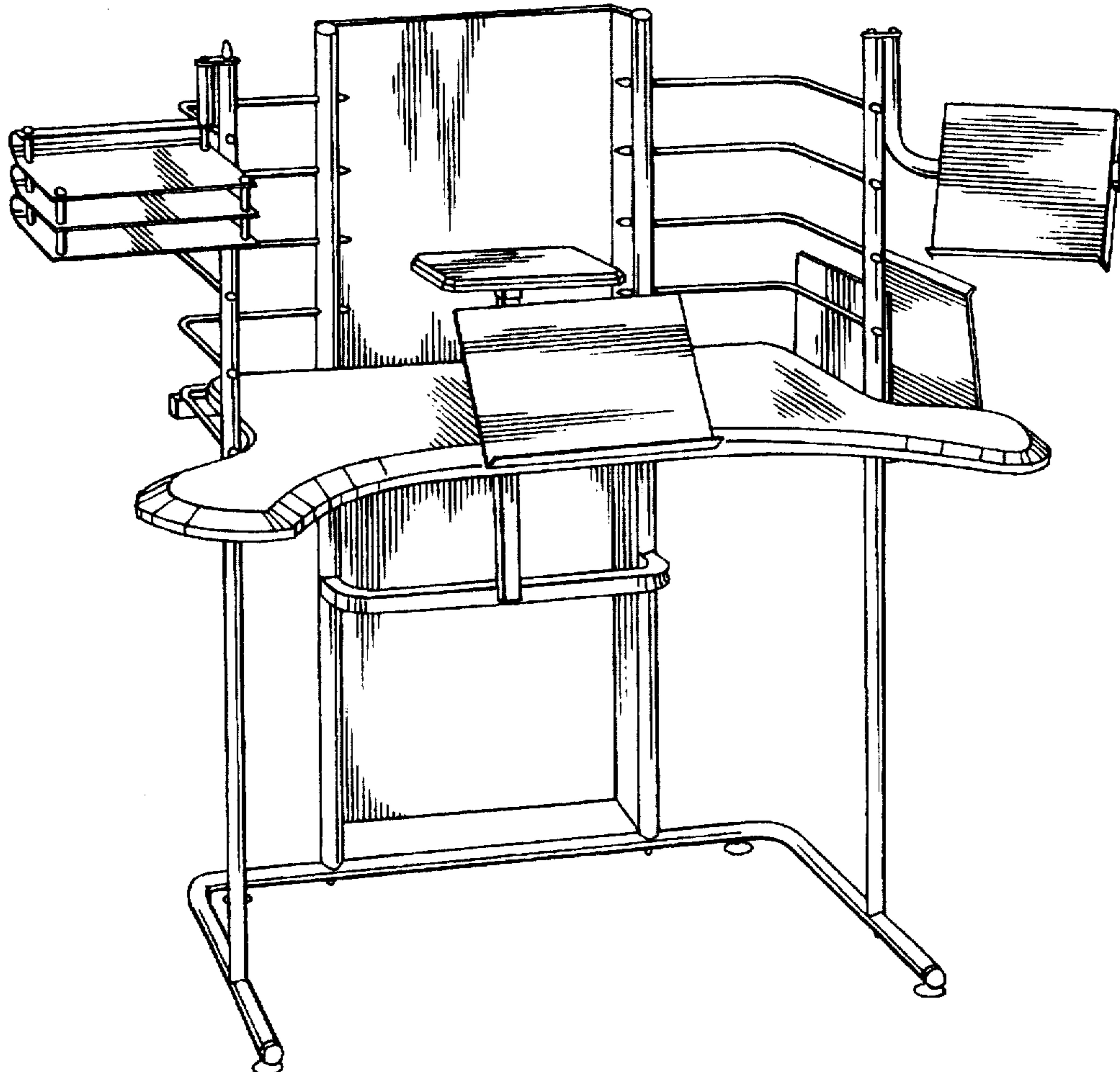
[57] **CLAIM**

The ornamental design for a desk unit, as shown and described.

DESCRIPTION

FIG. 1 is a front elevational view of a desk unit showing my new design;
FIG. 2 is a rear elevational view thereof;
FIG. 3 is a top plan view thereof;
FIG. 4 is a bottom plan view thereof;
FIG. 5 is a left side elevational view thereof;
FIG. 6 is a right side elevational view thereof; and,
FIG. 7 is a front perspective view thereof.

1 Claim, 6 Drawing Sheets



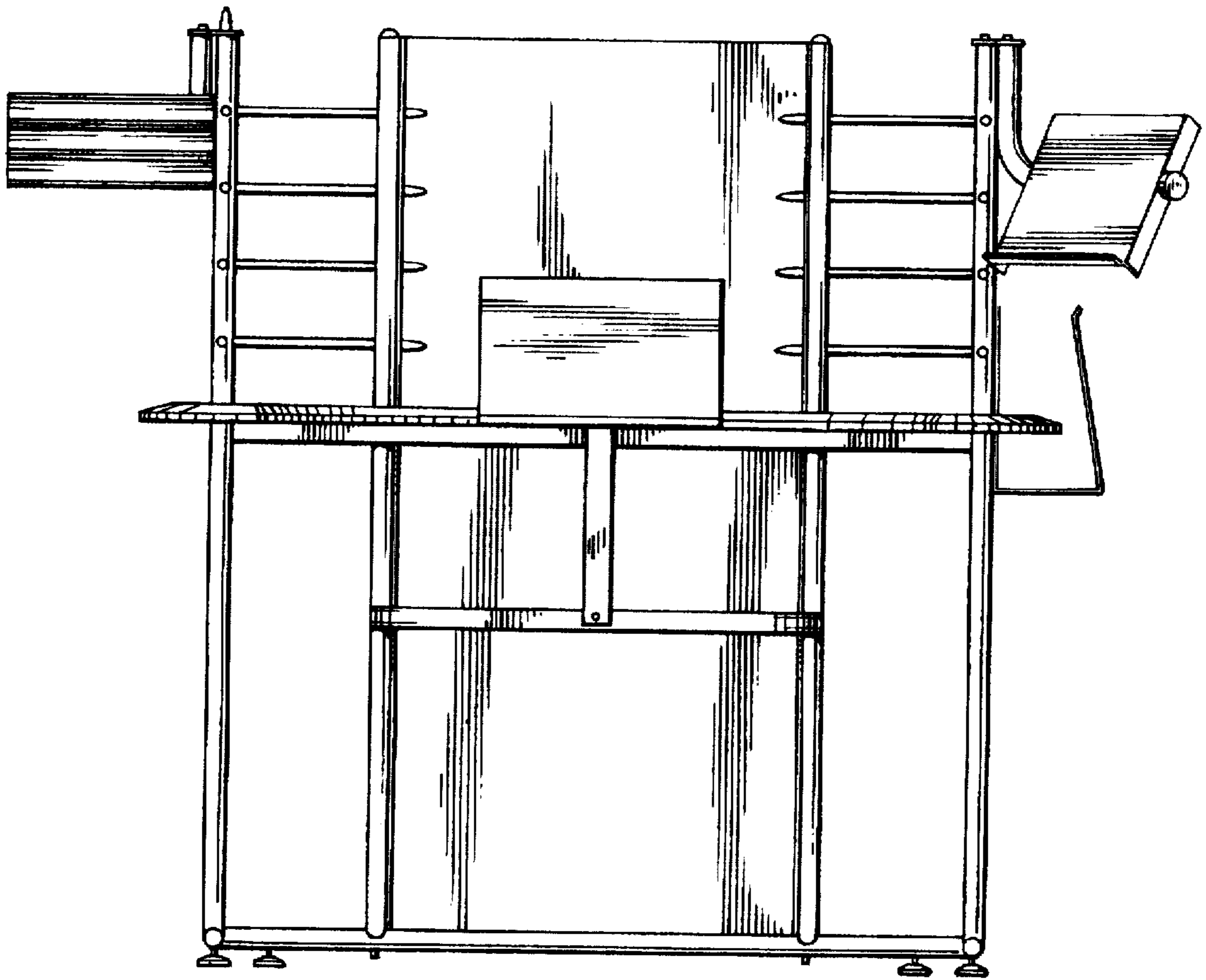


FIG. 1

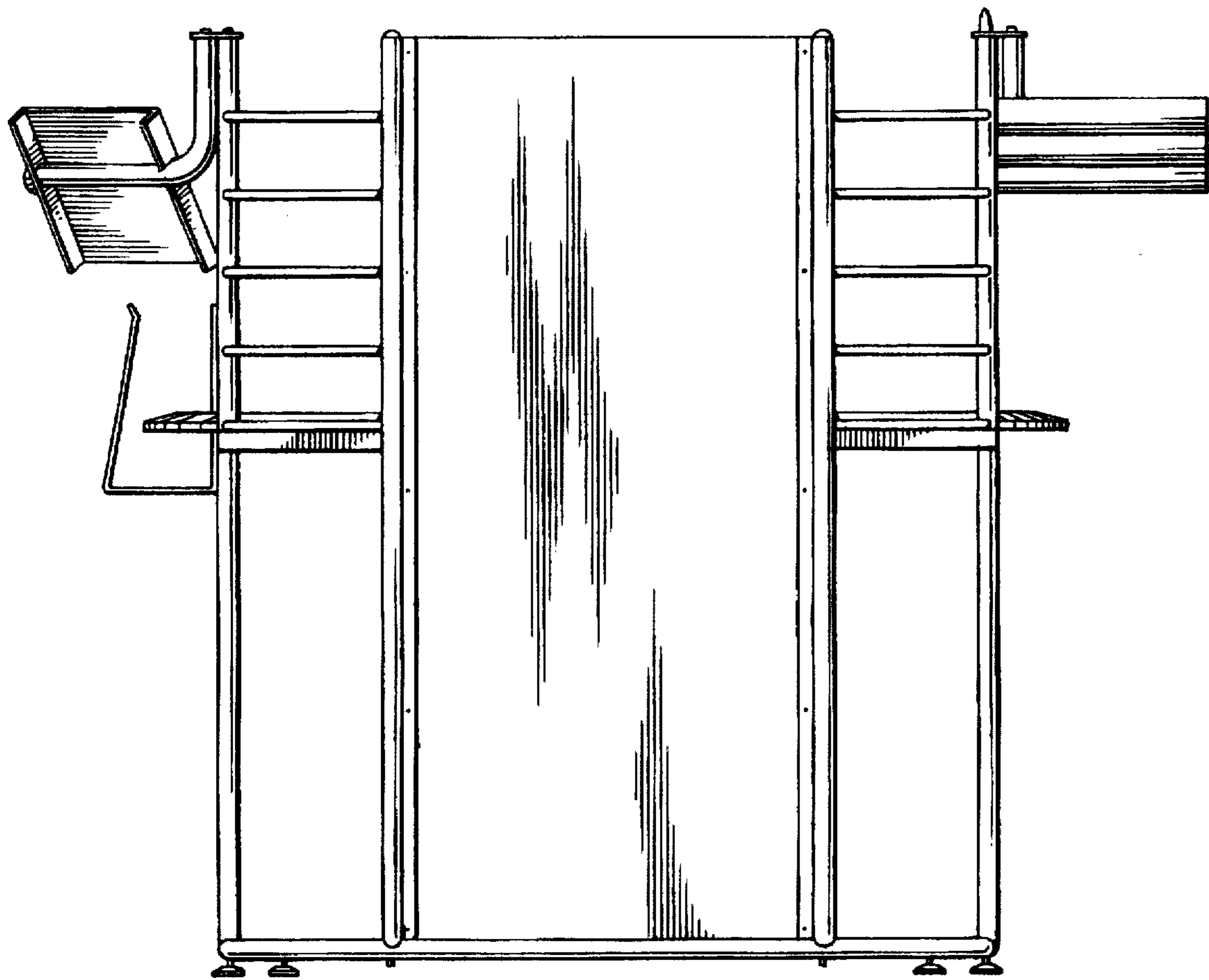
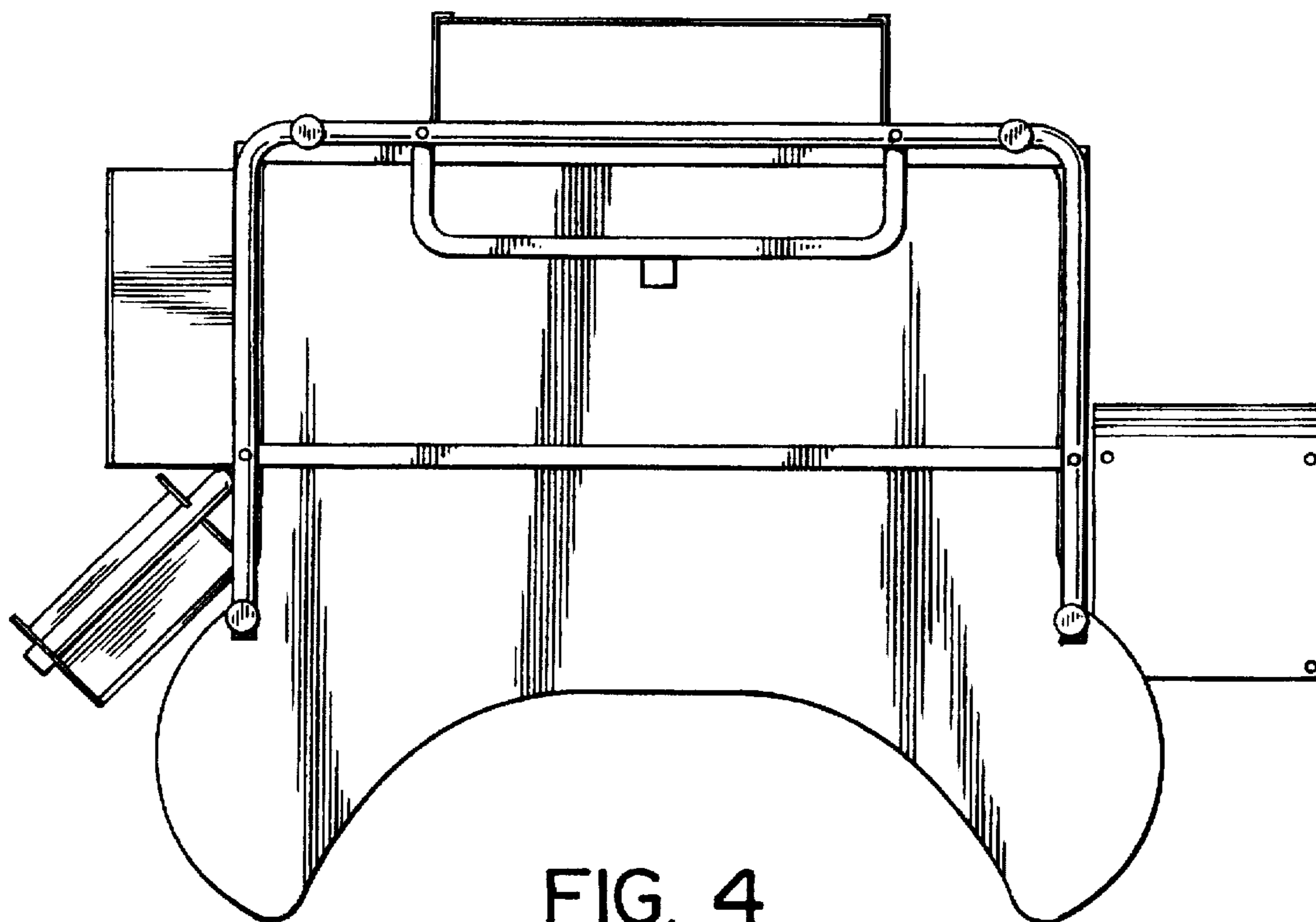
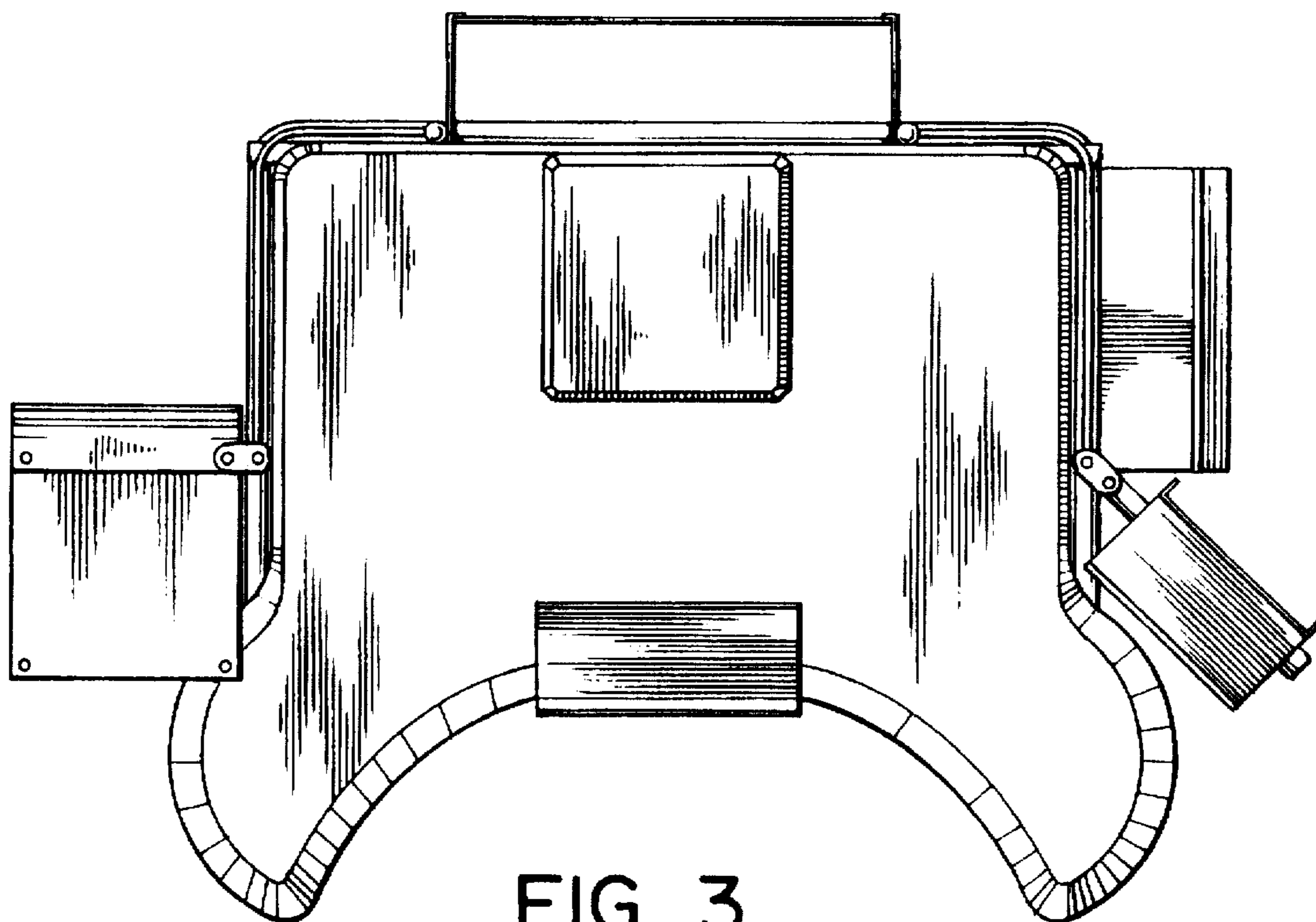


FIG. 2



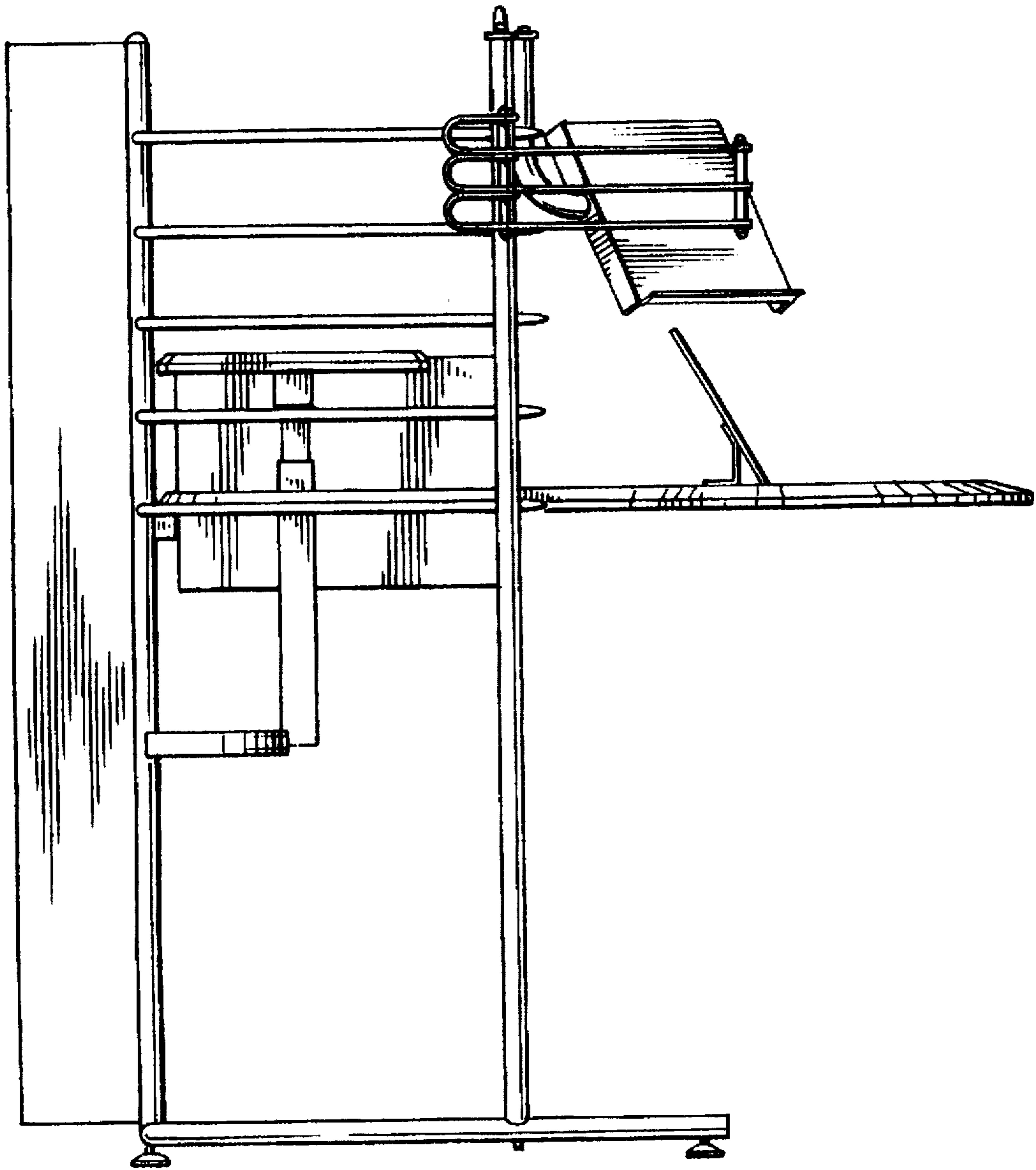


FIG. 5

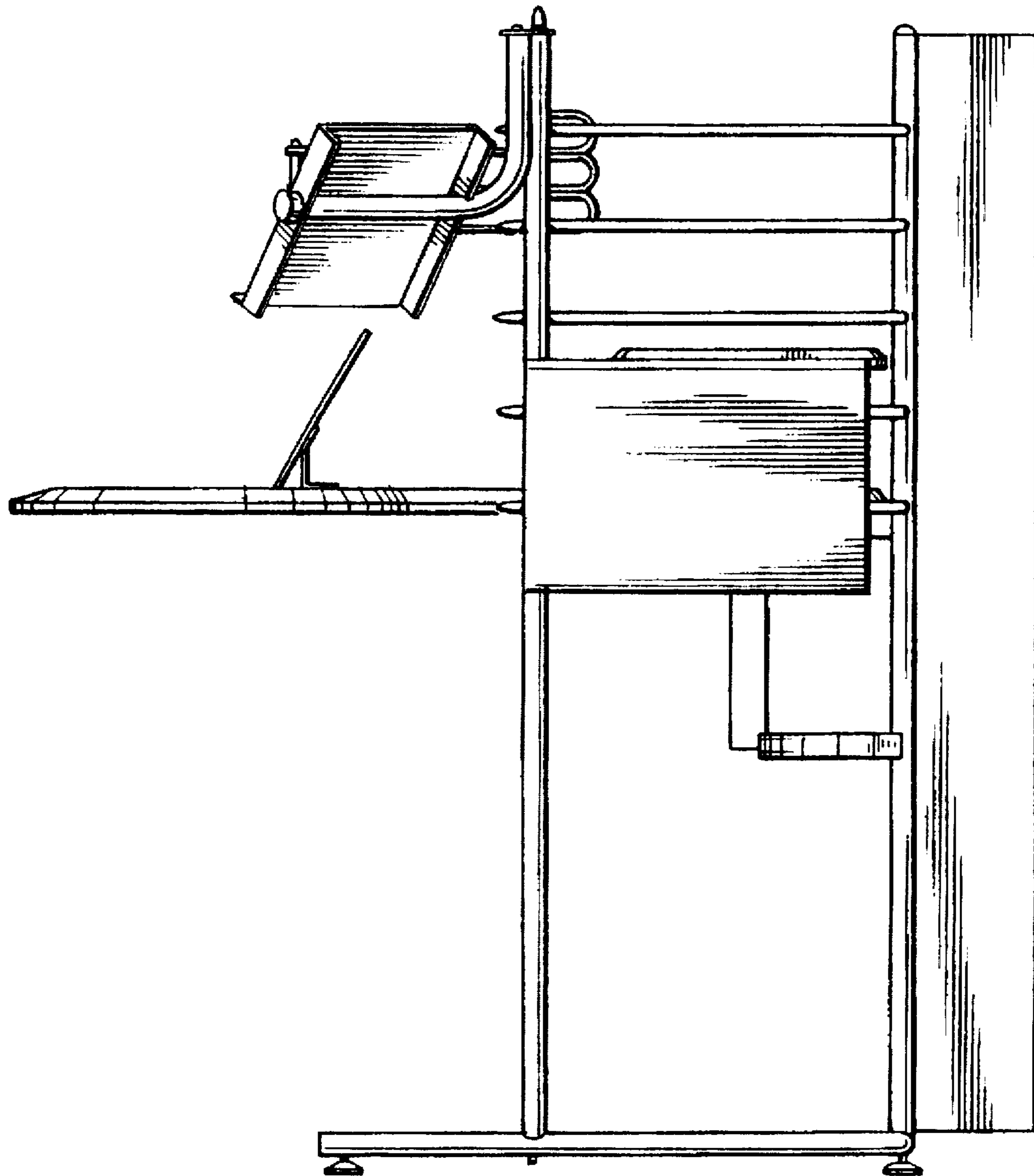


FIG. 6

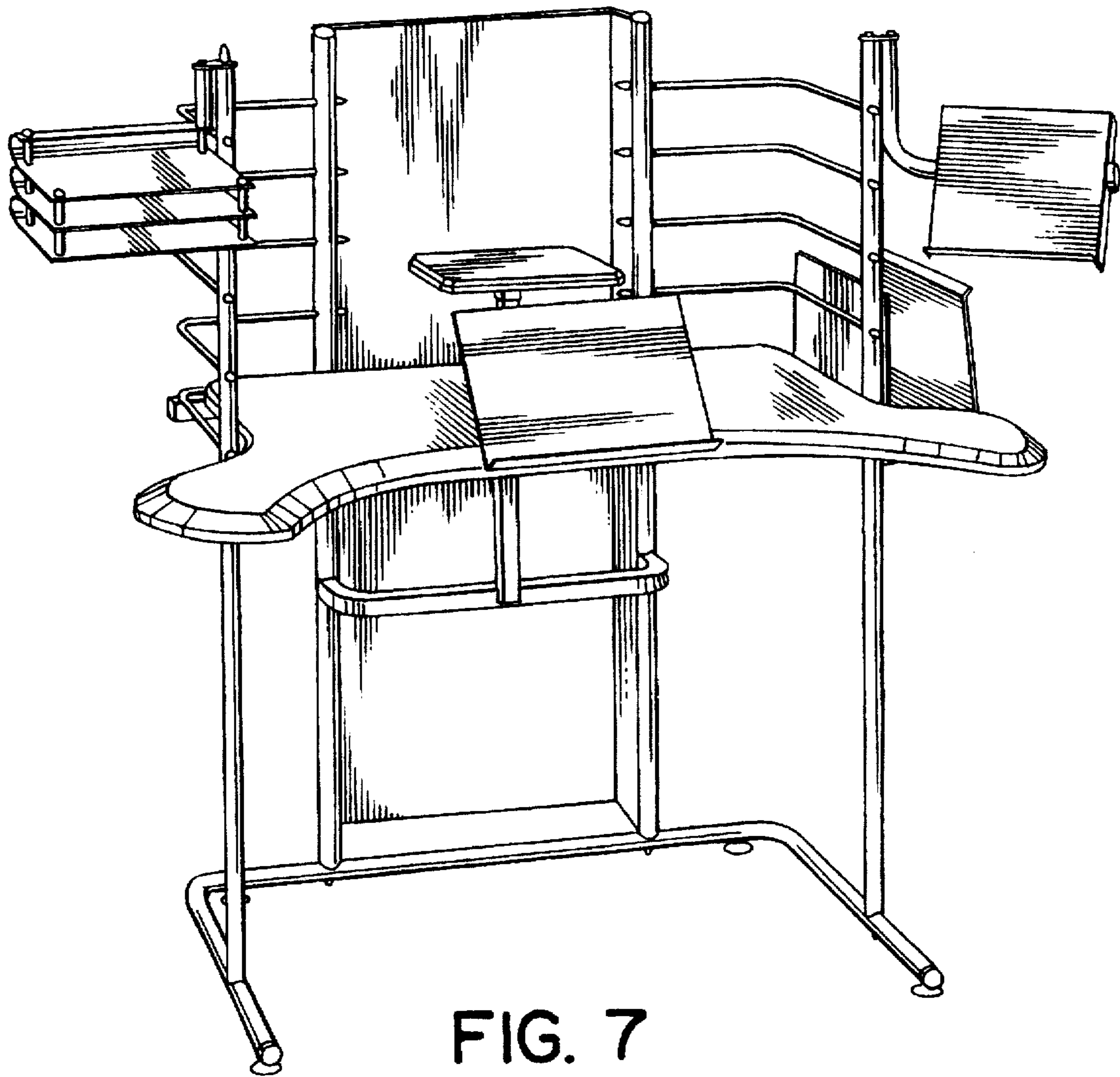


FIG. 7