



US00D389334S

United States Patent [19] Attridge

[11] Patent Number: **Des. 389,334**

[45] Date of Patent: ****Jan. 20, 1998**

[54] **UMBRELLA HOLDER**

[76] Inventor: **Wayne Attridge, 7440 Reeder Road,
Richmond, BC, Canada, V7A 1C3**

[**] Term: **14 Years**

[21] Appl. No.: **60,707**

[22] Filed: **Oct. 4, 1996**

[51] LOC (6) Cl. **06-06**

[52] U.S. Cl. **D6/418; D8/394; D6/416**

[58] Field of Search **D6/418, 416; D8/394;
248/226.11, 229.1, 229.15, 229.25, 228.6,
230.6, 231.71, 309.1, 313, 351, 511, 534,
539**

4,903,929 2/1990 Hoffman 248/229.15
5,431,364 7/1995 Etter 248/534 X
5,524,667 6/1996 Potter 248/228.6 X

FOREIGN PATENT DOCUMENTS

630168 6/1936 Germany 248/229.25

Primary Examiner—Carmen H. Vales-Lado
Attorney, Agent, or Firm—Harold H. Dutton, Jr.

[57] CLAIM

The ornamental design for an umbrella holder, as shown and described.

DESCRIPTION

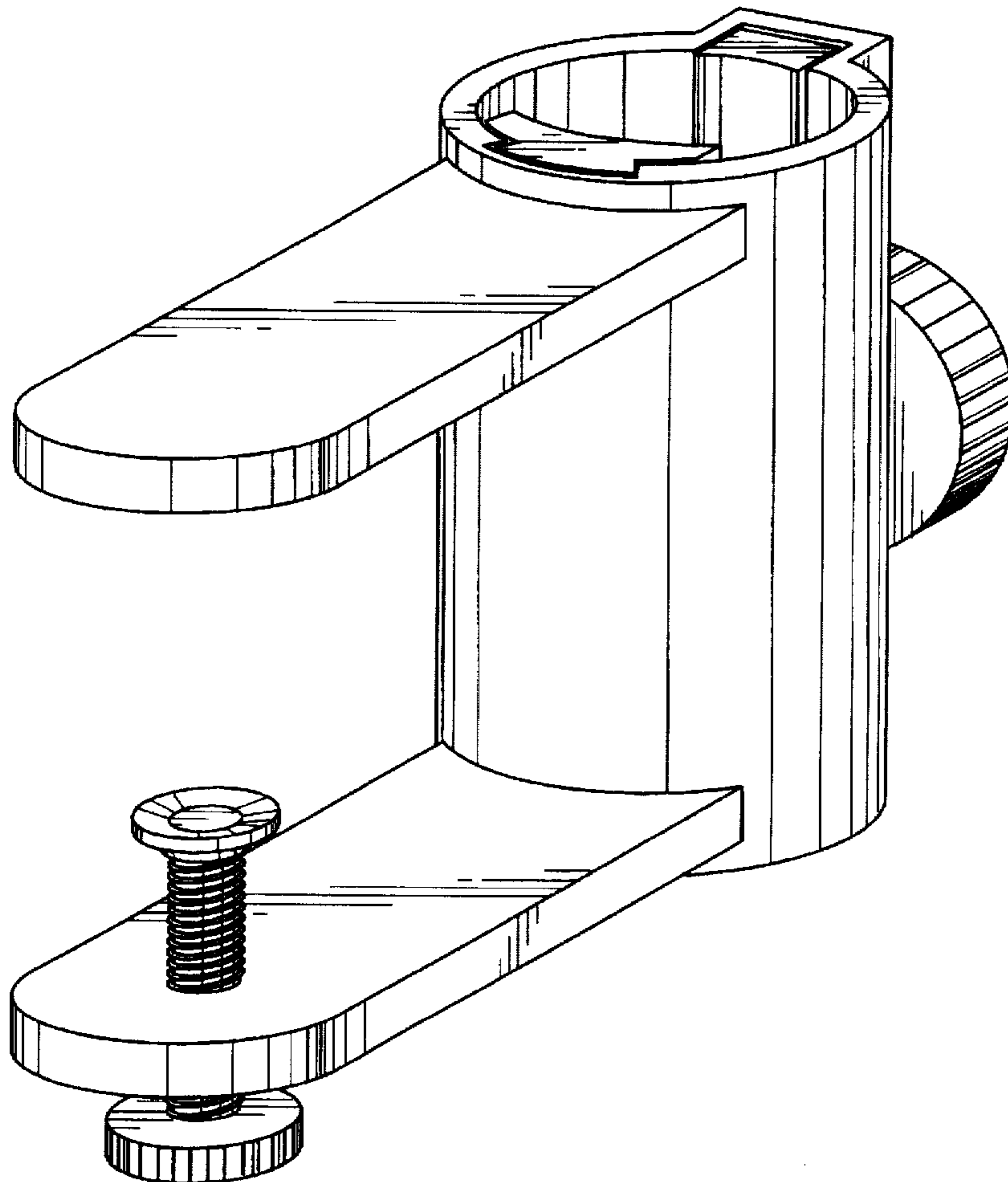
FIG. 1 is a perspective view of an umbrella holder showing my new design;
FIG. 2 is a top view thereof;
FIG. 3 is a bottom view thereof;
FIG. 4 is a right side view, the left side being a mirror image thereof;
FIG. 5 is a rear view thereof; and,
FIG. 6 is a front view thereof.

[56] References Cited

U.S. PATENT DOCUMENTS

D. 311,829 11/1990 Vossoughi D6/418
1,786,902 12/1930 Doughty, Jr. 248/229.15
2,689,995 9/1954 Smith 248/229.15 X
2,896,896 7/1959 Revzin 248/229.15
2,988,310 6/1961 Wright 248/511
3,295,473 1/1967 Wentworth 248/511 X

1 Claim, 4 Drawing Sheets



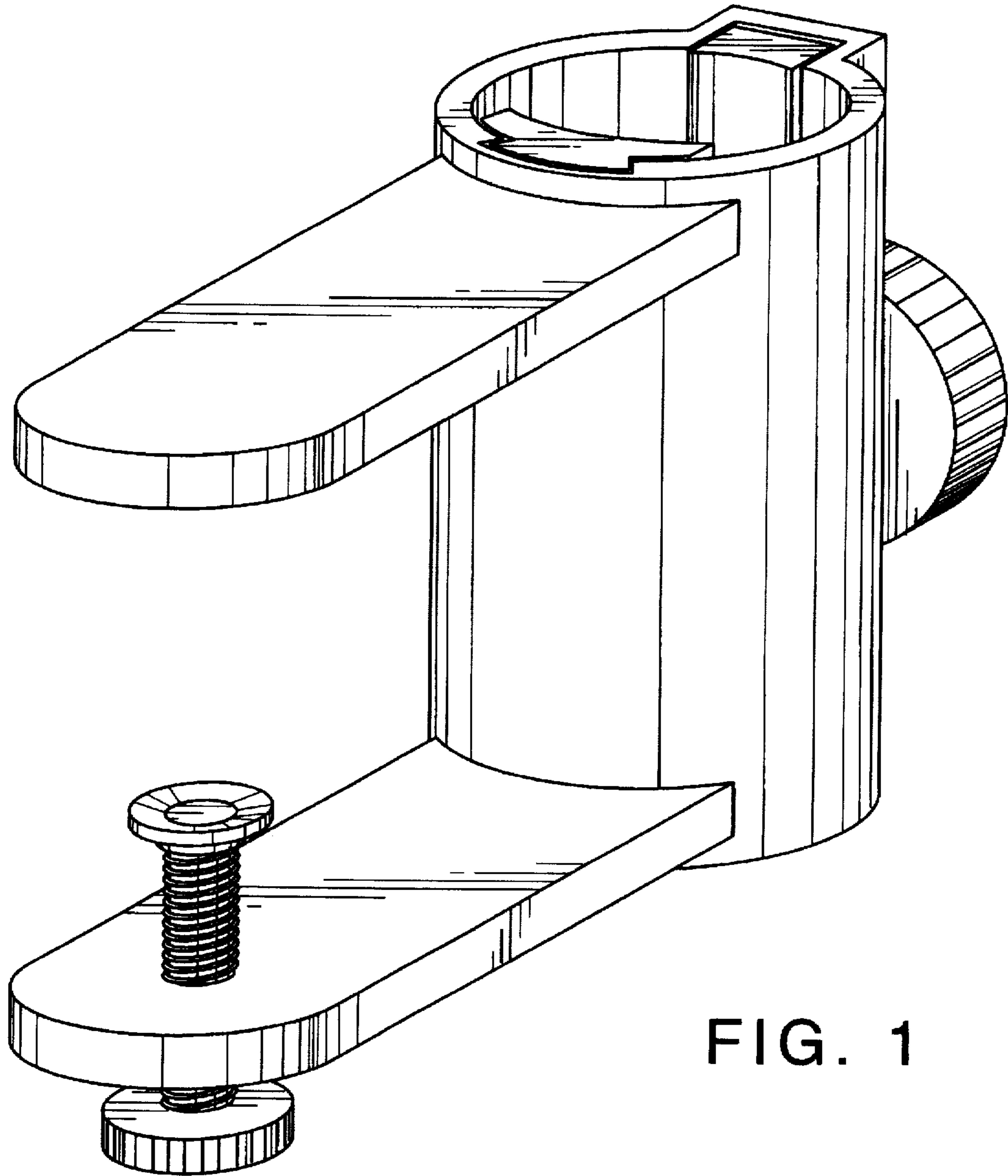


FIG. 1

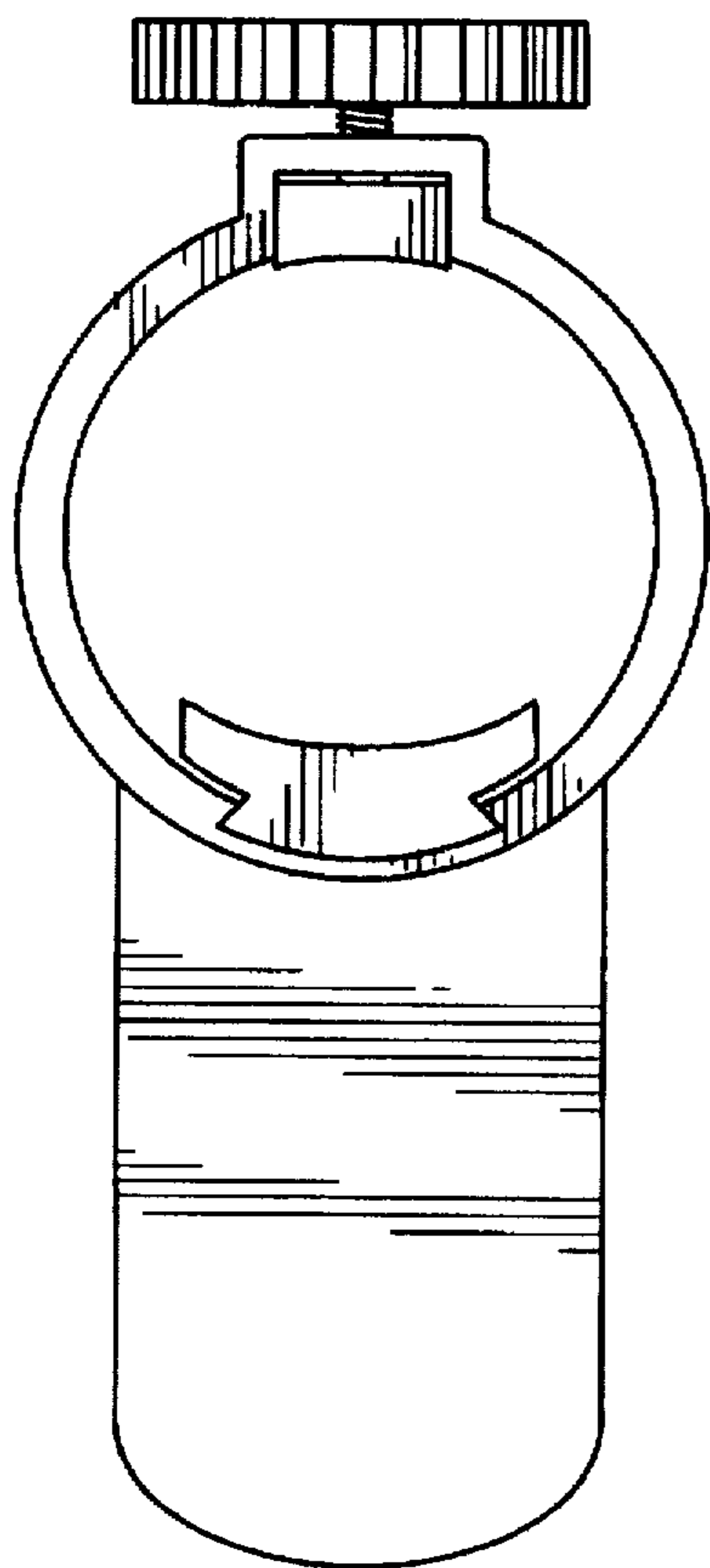
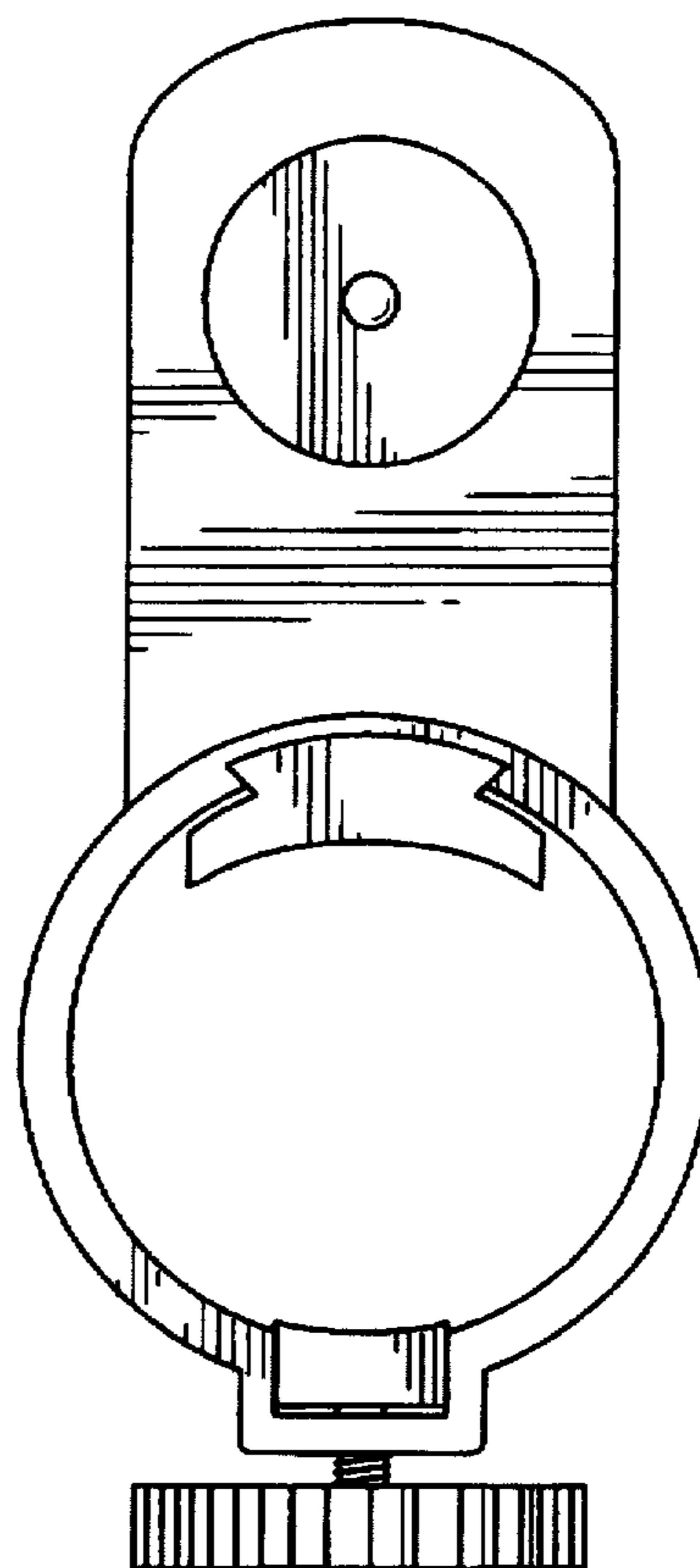


FIG. 2

FIG. 3



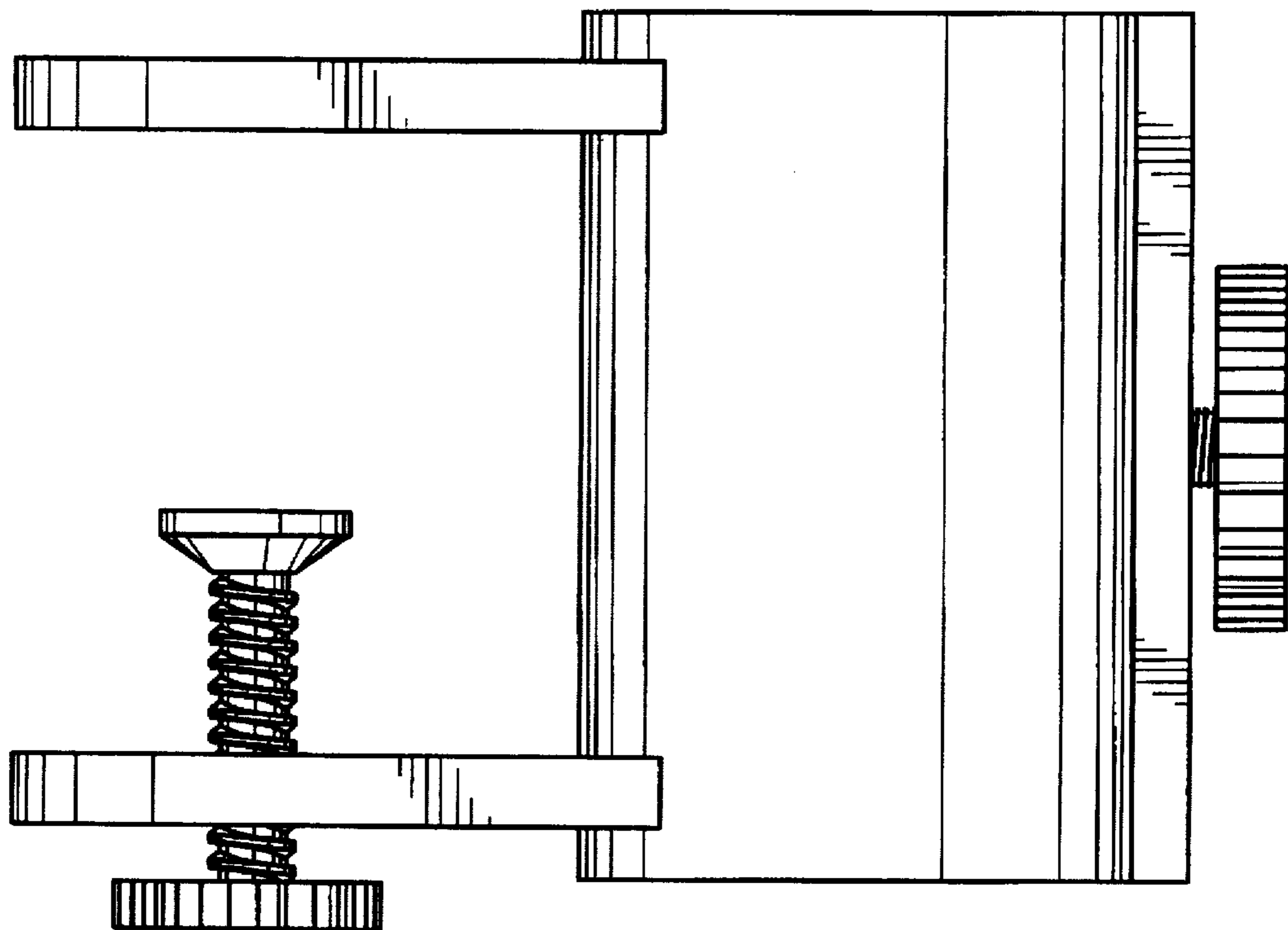


FIG. 4

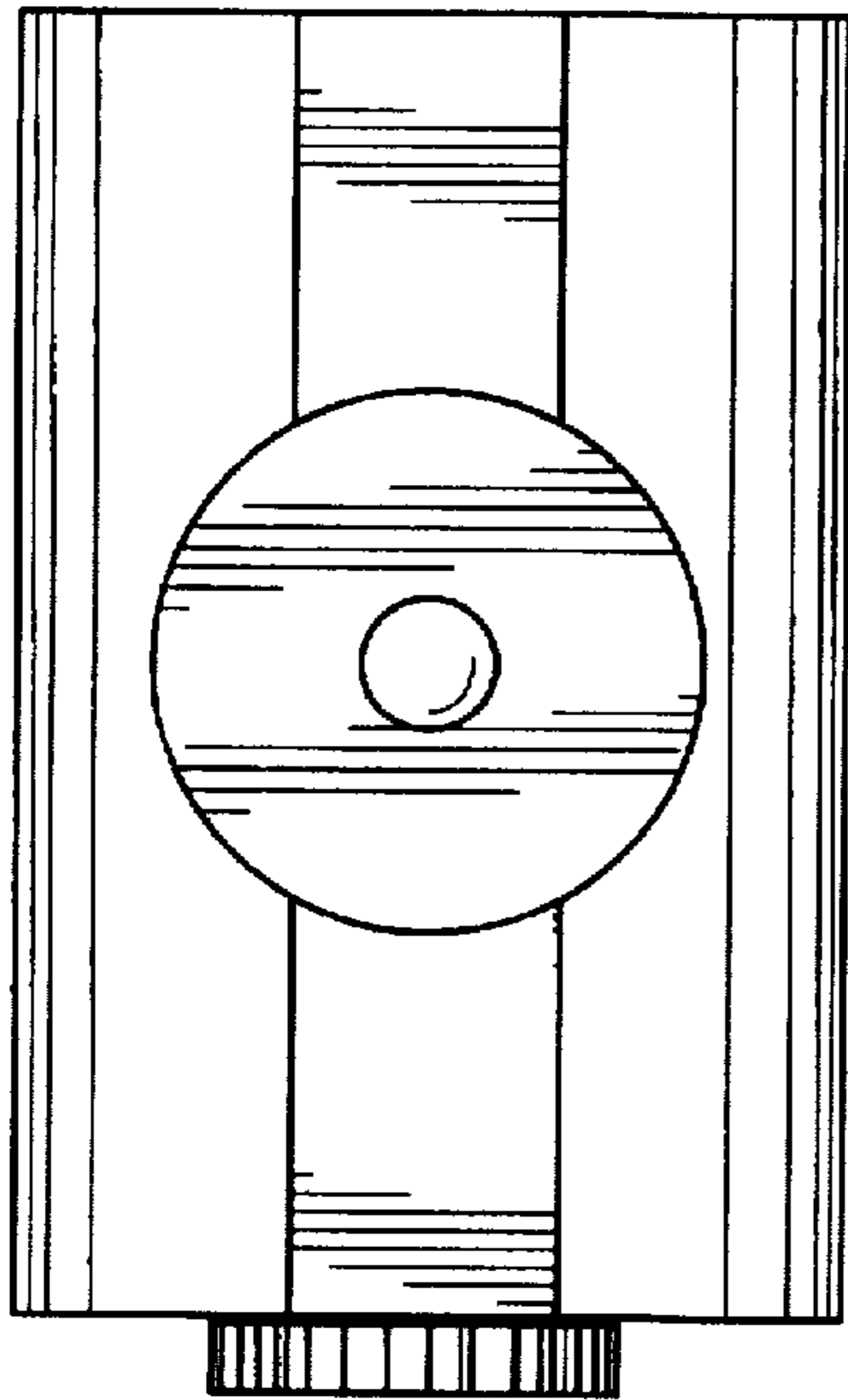


FIG. 5

FIG. 6

