



US00D389333S

United States Patent [19] Griffith

[11] Patent Number: **Des. 389,333**

[45] Date of Patent: ****Jan. 20, 1998**

[54] **PADDED SEAT TOY BOX AND SHELVES**

[76] Inventor: **John Griffith**, 320 Cricket Lake Dr.,
Naples, Fla. 33960

[**] Term: **14 Years**

[21] Appl. No.: **58,017**

[22] Filed: **Aug. 6, 1996**

[51] LOC (6) Cl. **06-04**

[52] U.S. Cl. **D6/397; D6/336; D6/479**

[58] Field of Search D6/396, 397, 432,
D6/434, 436-439, 445-448, 474, 479, 342,
336, 335; 312/108, 198, 204, 235.2, 235.5,
235.8, 235.9, 240; 297/188.8, 188.9

[56] **References Cited**

U.S. PATENT DOCUMENTS

- D. 246,023 10/1977 Hillman et al. D6/397 X
- D. 263,178 3/1982 Van Linden et al. D6/397 X
- D. 286,115 10/1986 Evans D6/479

Primary Examiner—Janice E. Seeger
Attorney, Agent, or Firm—William F. Hamrock

[57] **CLAIM**

The ornamental design for a padded seat toy box and shelves, as shown and described.

DESCRIPTION

FIG. 1 is a perspective view of a padded seat toy box and shelves showing my new design with the padded seat top and the drawer in the open positions;

FIG. 2 is a front elevational view thereof showing the recessed hinges;

FIG. 3 is a rear elevational view thereof;

FIG. 4 is a left side elevational view thereof;

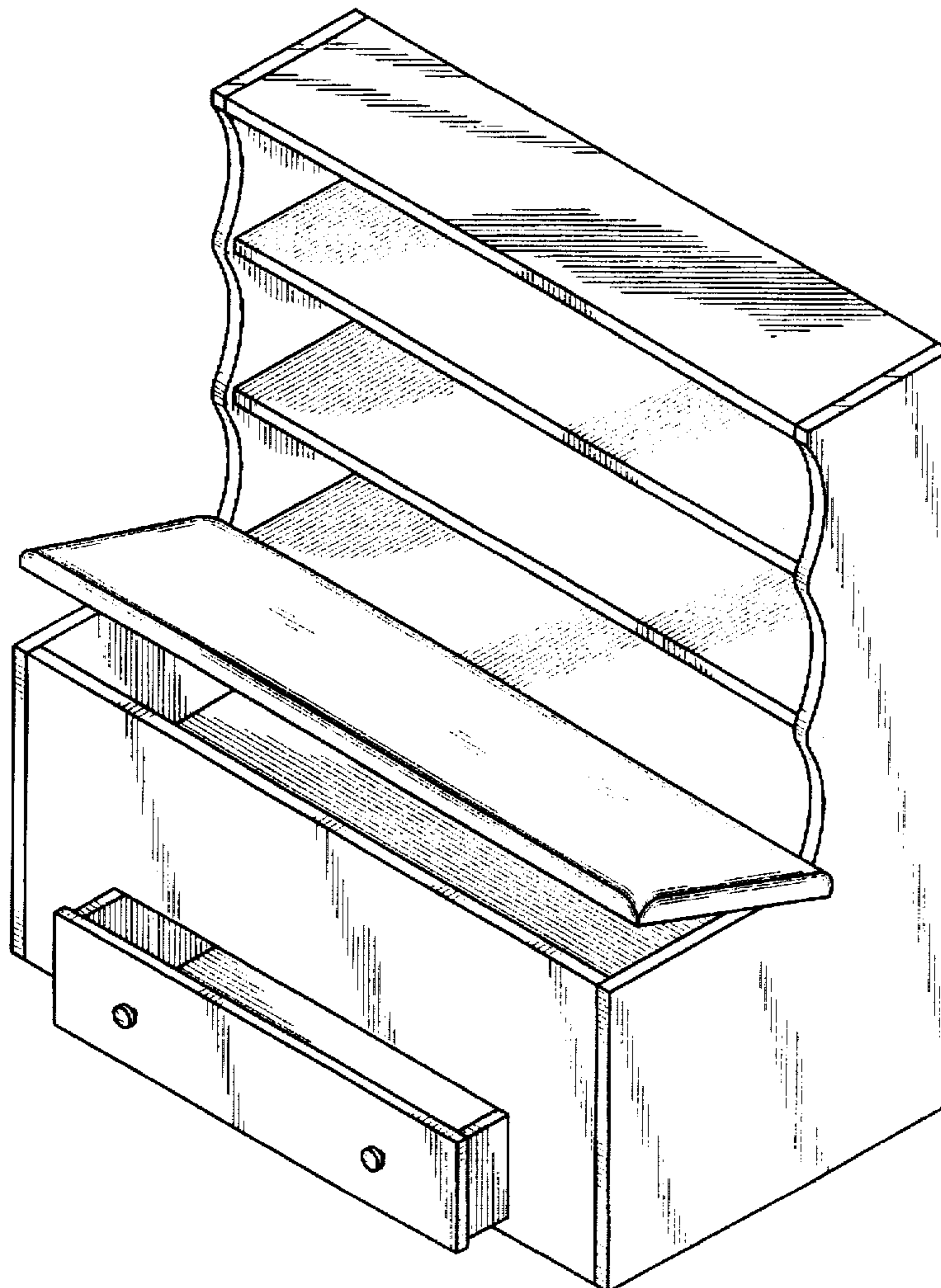
FIG. 5 is a right side elevational view thereof;

FIG. 6 is a top plan view thereof; and,

FIG. 7 is a bottom plan view thereof.

Casters on the bottom are shown in FIGS. 2,3,4,5, and 7.

1 Claim, 4 Drawing Sheets



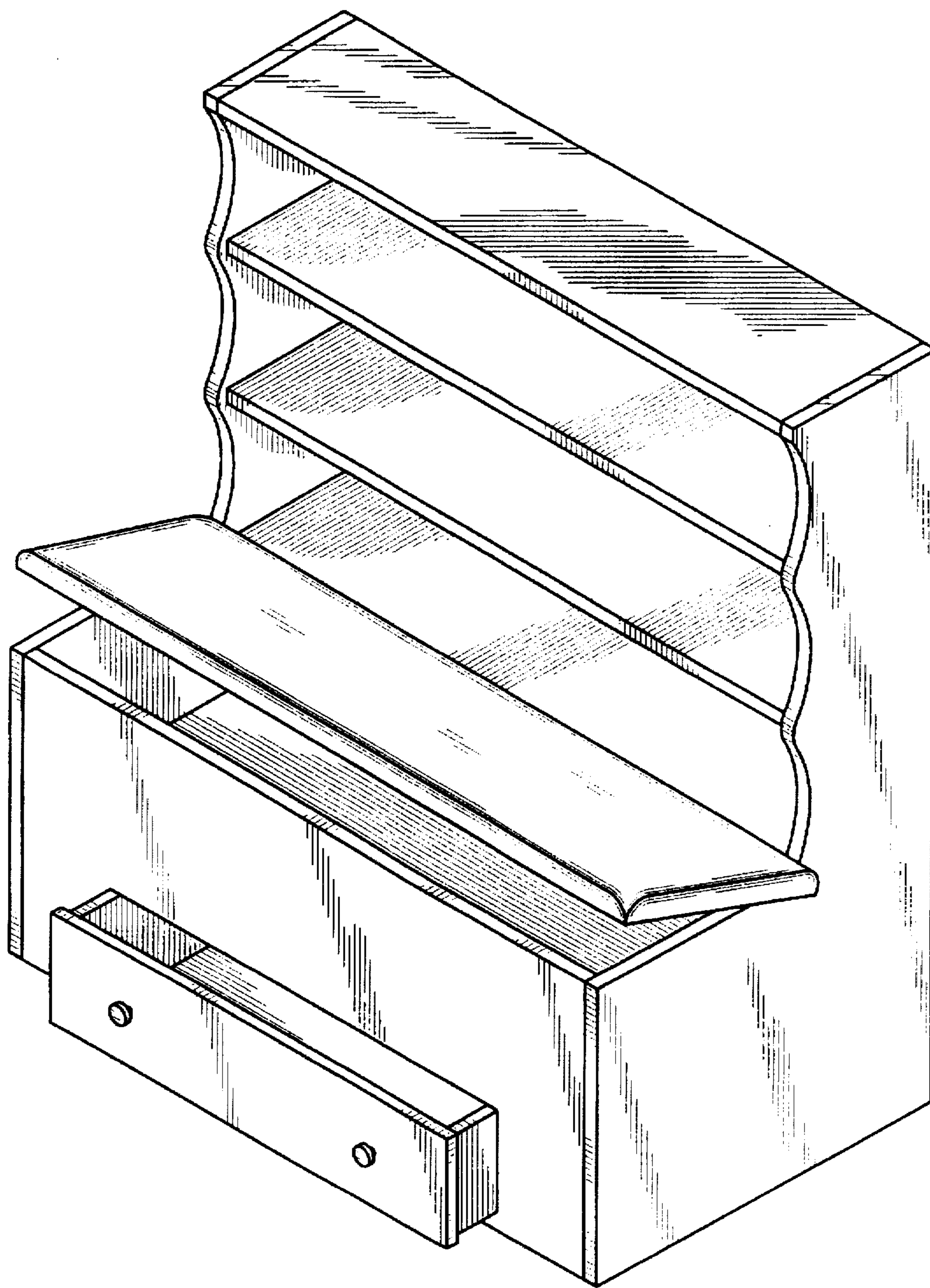


Fig. 1

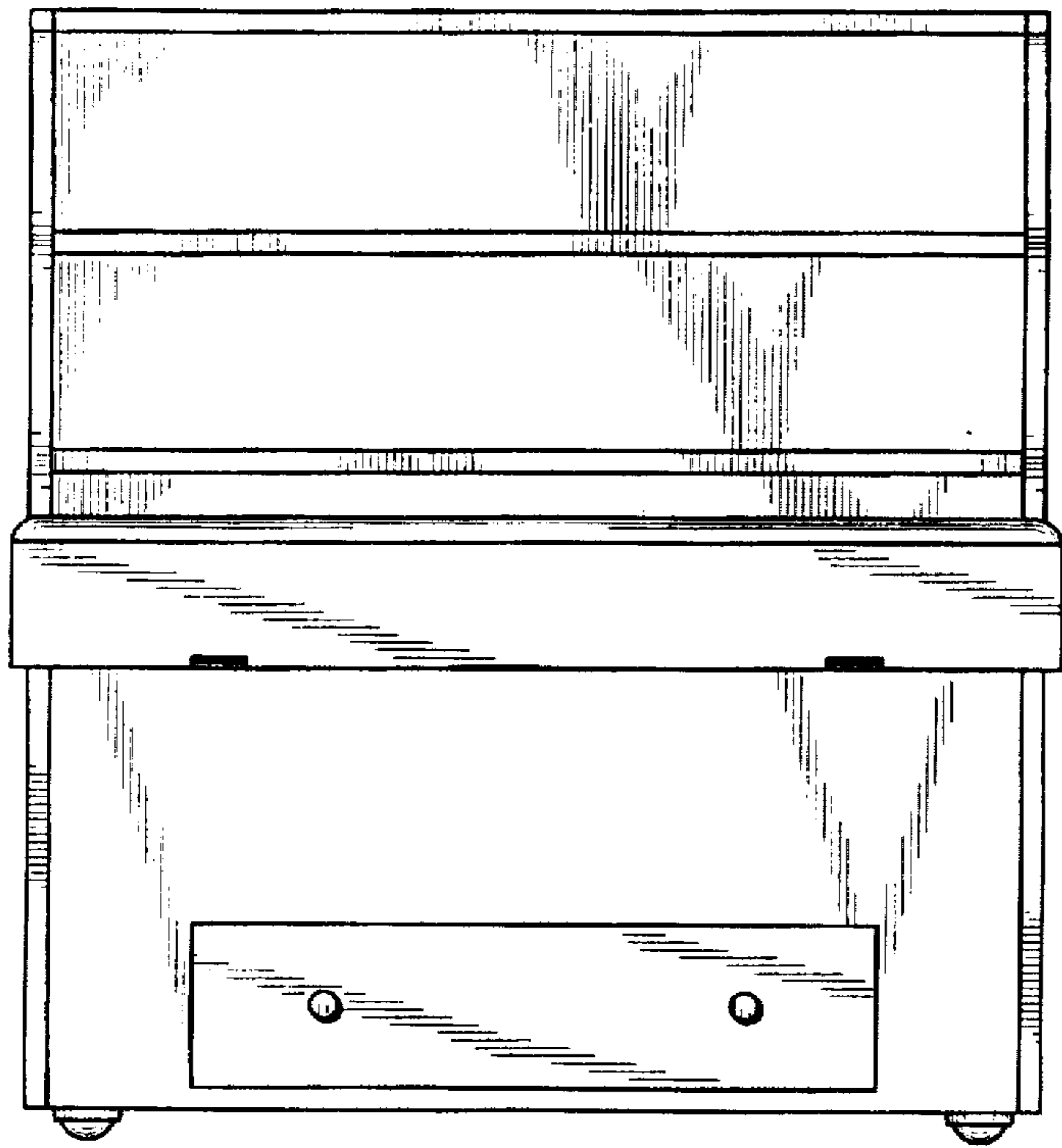


Fig. 2

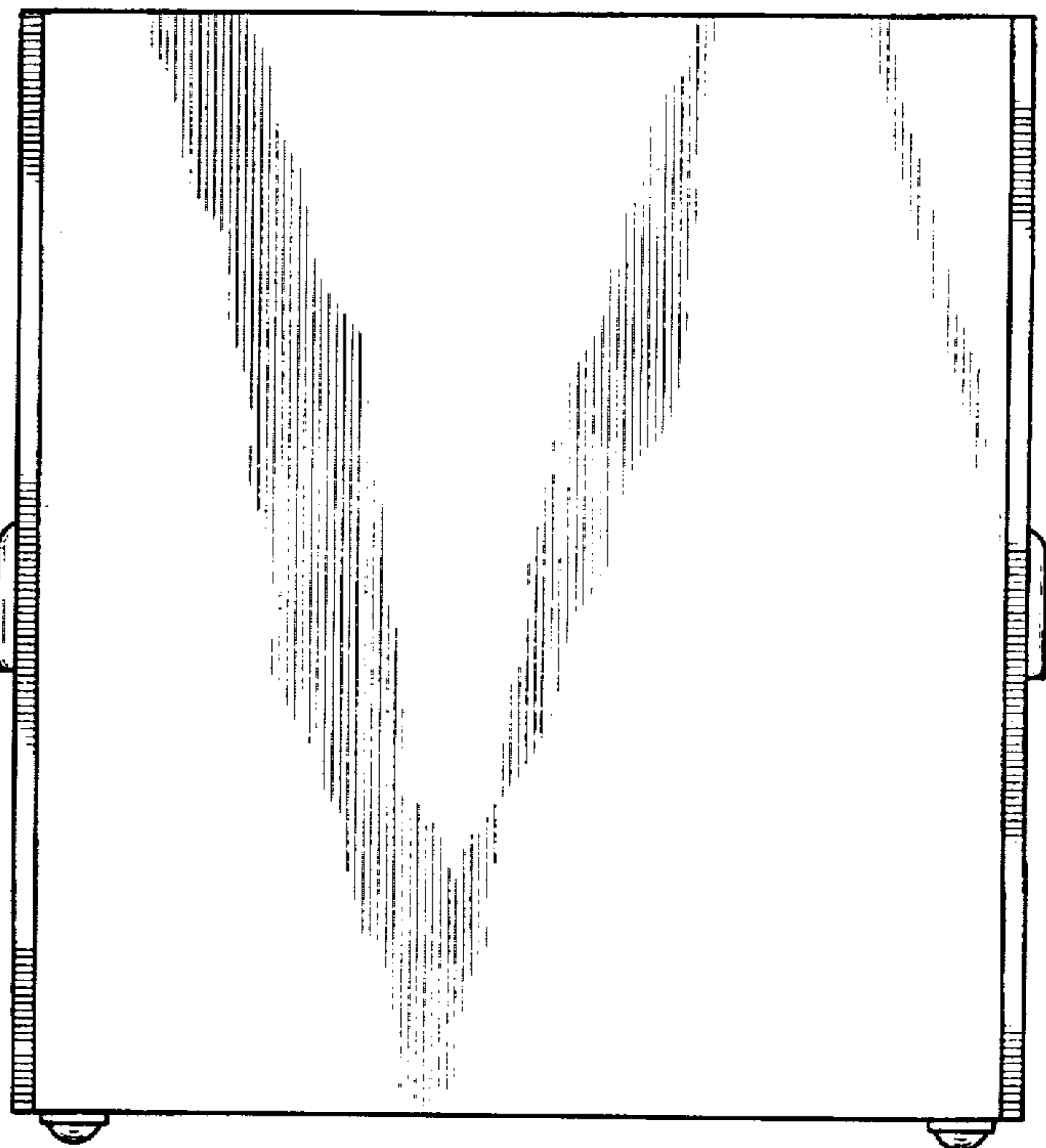


Fig. 3

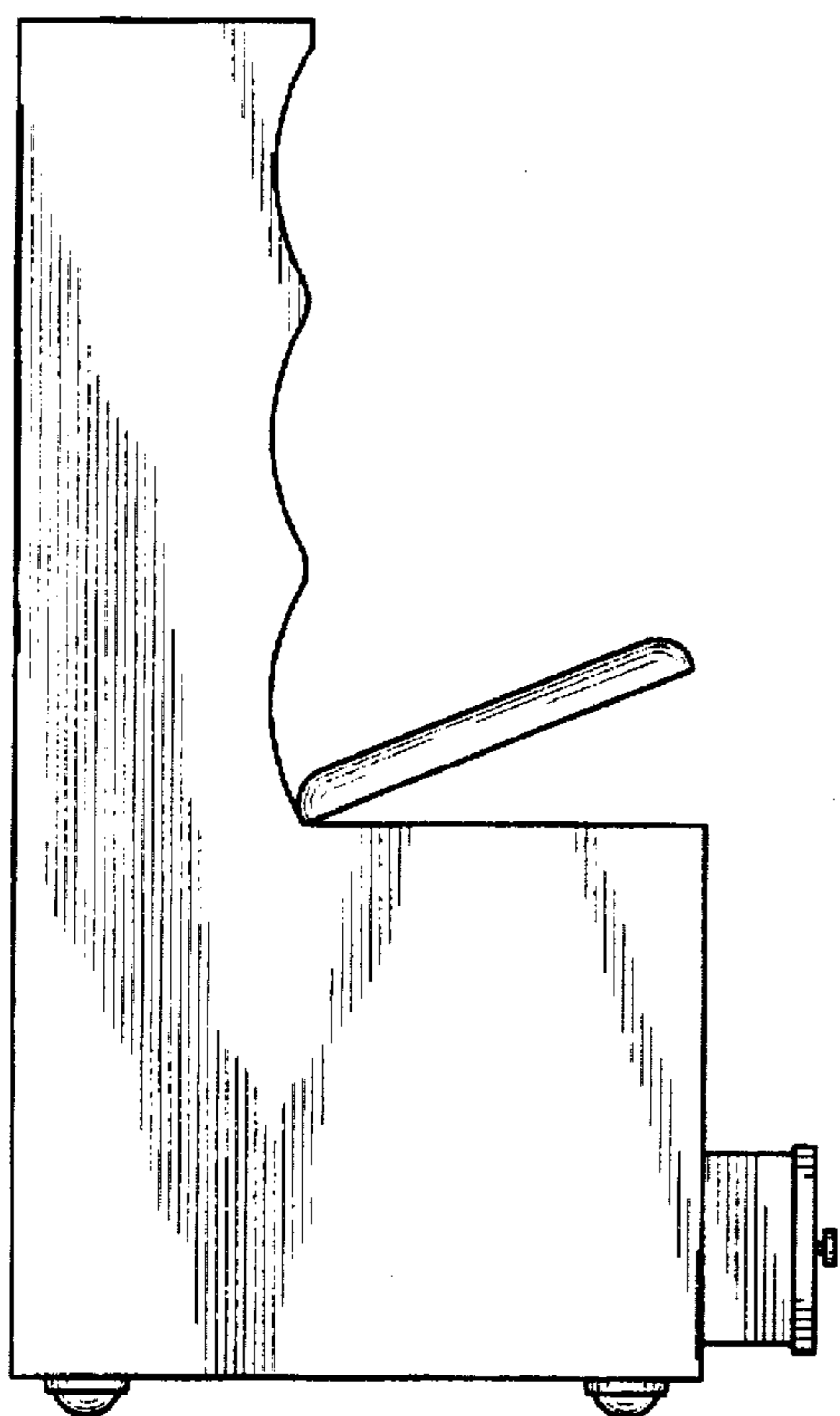


Fig. 4

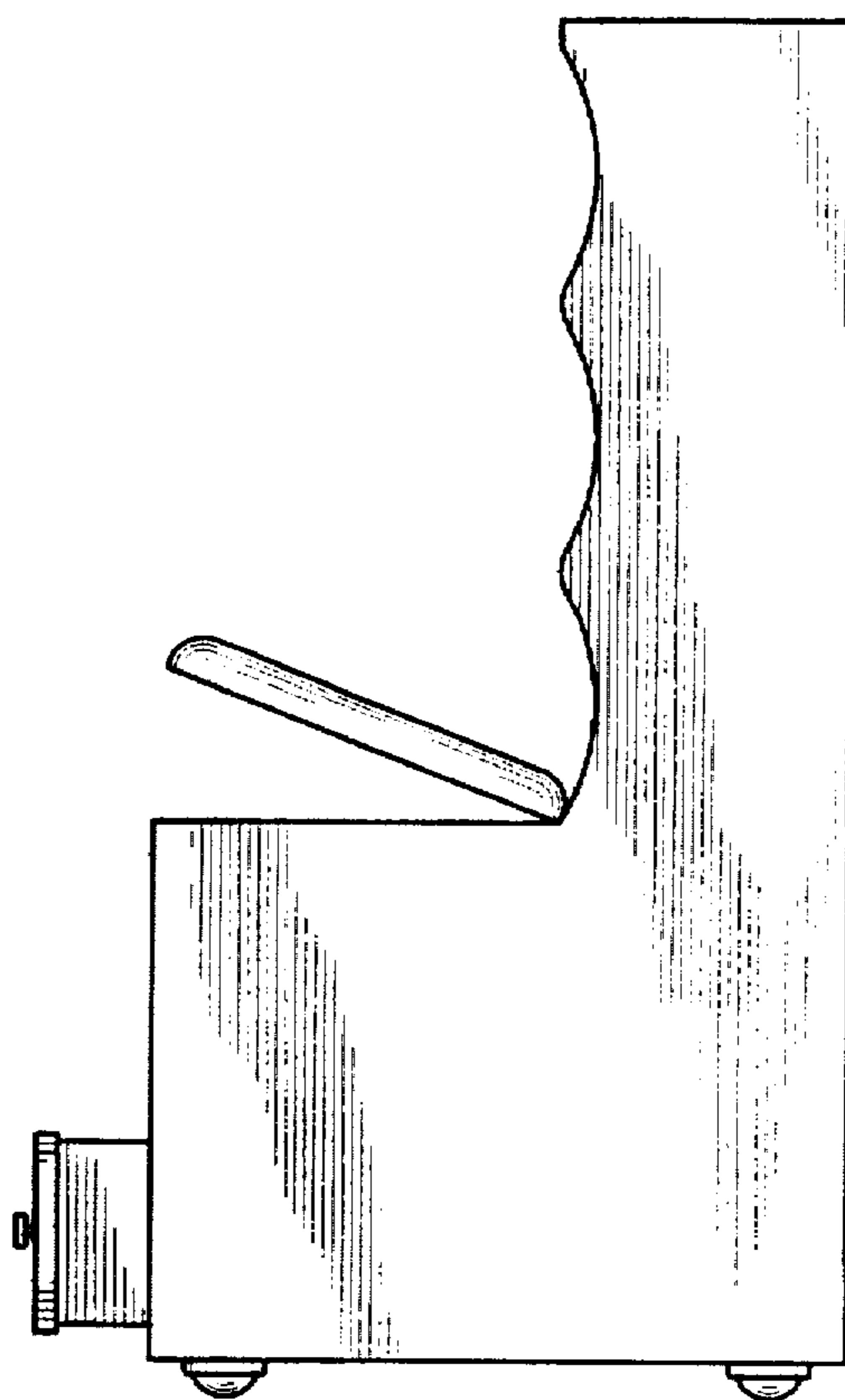


Fig. 5

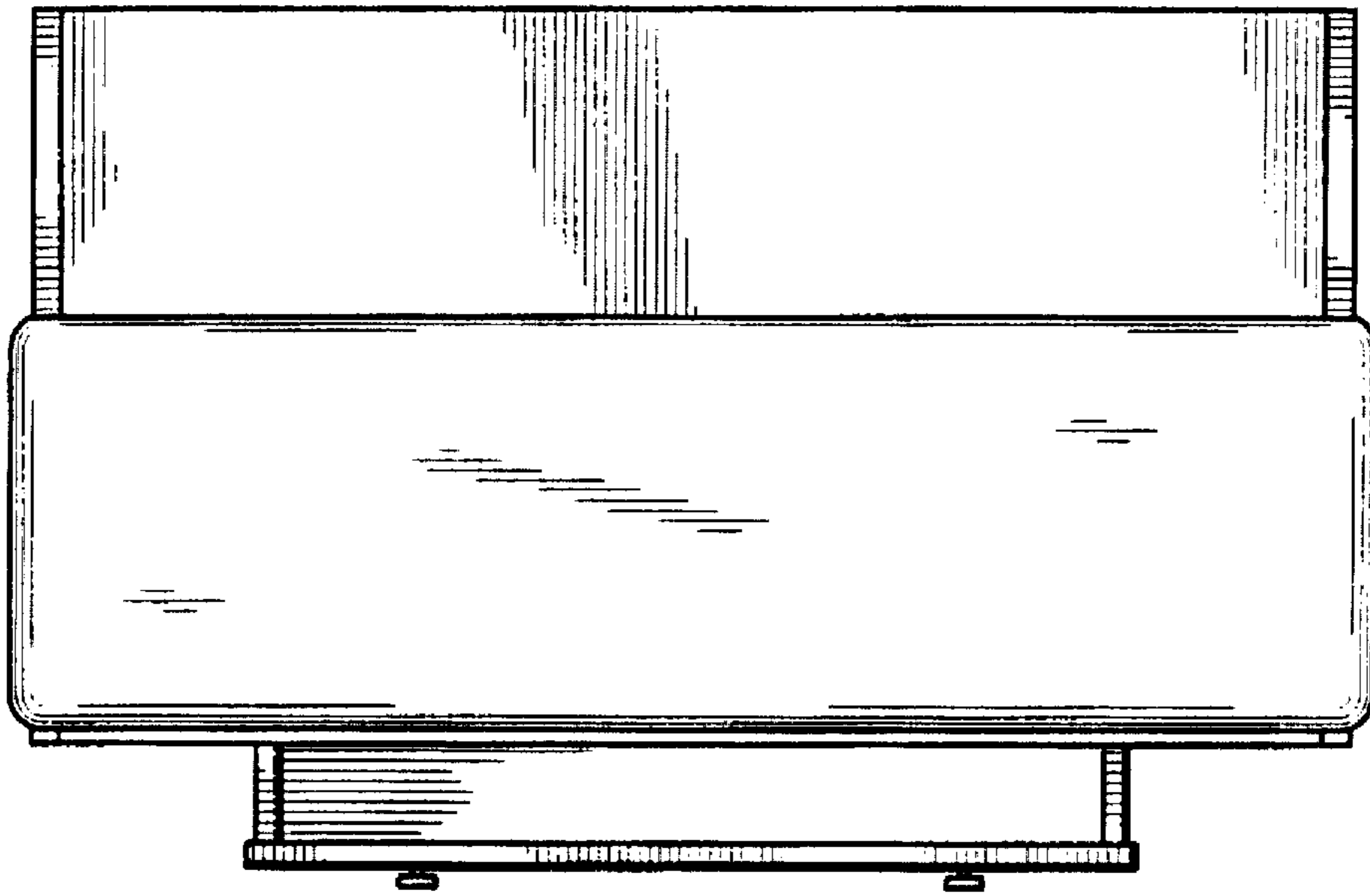


Fig. 6

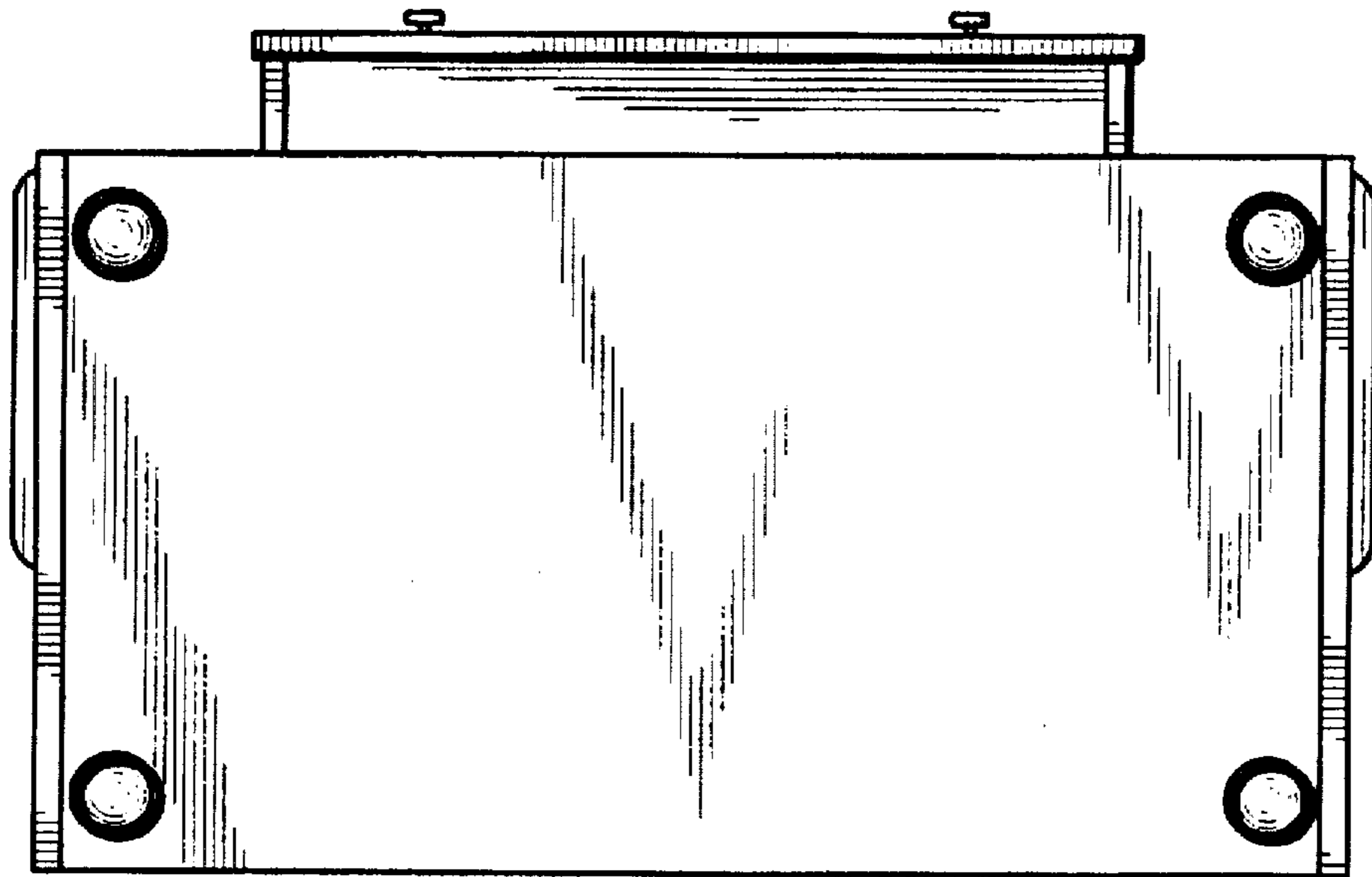


Fig. 7