



US00D389315S

United States Patent [19]

Travesí

[11] Patent Number: **Des. 389,315**

[45] Date of Patent: ****Jan. 20, 1998**

[54] **COMBINED TOOTHBRUSH HANDLE WITH WINDOW AND TOOTHPASTE DISPENSER**

[76] Inventor: **Mauricio Garcia Travesí**, 4209 Oak Lawn, Suite 207, Dallas, Tex. 75219

[**] Term: **14 Years**

[21] Appl. No.: **56,627**

[22] Filed: **Jul. 3, 1996**

[51] LOC (6) Cl. **04-02**

[52] U.S. Cl. **D4/108; D4/114**

[58] Field of Search **D4/104-114, 132, D4/134, 138; 15/143.1, 159.1, 167.1, 167.2; 132/308, 311; 401/135, 143, 144, 150, 151, 170-172, 174, 175, 192, 268, 270, 271, 278**

[56] **References Cited**

U.S. PATENT DOCUMENTS

D. 258,474	3/1981	Edstrom	D6/88
D. 291,013	7/1987	Plummer	D28/46
D. 292,447	10/1987	Macias	D4/104
D. 306,496	3/1990	Newberry, Jr.	D28/48
D. 310,889	9/1990	Concialdi	D28/45
D. 344,365	2/1994	Mondo	D28/46
D. 344,607	2/1994	Osborn	D28/46
D. 355,074	2/1995	Devecchio et al.	D4/108
2,244,952	6/1941	Kapelman	401/268 X
3,631,556	1/1972	Holster et al.	15/22 R
3,741,667	6/1973	Cesari	401/175
4,062,625	12/1977	Teh-Sheng	401/175

4,198,171	4/1980	Lampka et al.	401/269
4,225,254	9/1980	Holberg et al.	401/192 X
4,375,924	3/1983	Lemire	401/173
4,653,188	3/1987	Kwak	30/41
4,753,006	6/1988	Howe	30/41
4,760,642	8/1988	Kwak	30/123
4,791,723	12/1988	Jacobson	30/41
4,908,945	3/1990	Jacobson	30/41

Primary Examiner—Alan P. Douglas
Assistant Examiner—Lavone D. Tabor
Attorney, Agent, or Firm—Hitt Chwang & Gaines, P.C.

[57] **CLAIM**

The ornamental design for a combined toothbrush handle with window and toothpaste dispenser, as shown and described.

DESCRIPTION

FIG. 1 is an isometric view of a combined toothbrush handle with a window and a toothpaste dispenser showing my new design;

FIG. 2 is a left side view thereof;

FIG. 3 is a top side view thereof;

FIG. 4 is a right side view thereof;

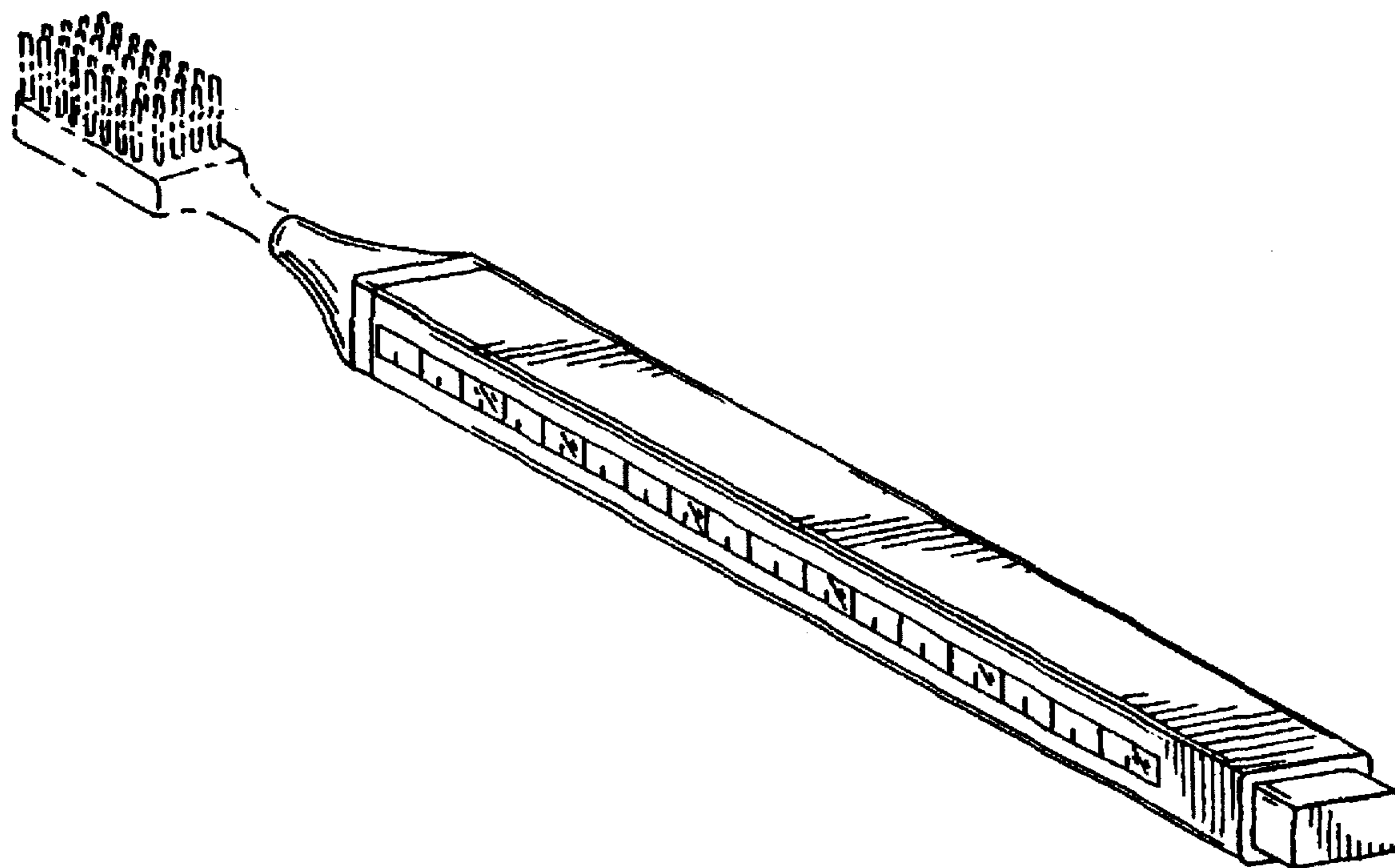
FIG. 5 is a bottom side view thereof;

FIG. 6 is a first end view thereof; and,

FIG. 7 is a second end view thereof.

The broken lines showing a bristled head in FIGS. 1 to 5 and 7 are for illustrative purposes only and form no part of the claimed design.

1 Claim, 1 Drawing Sheet



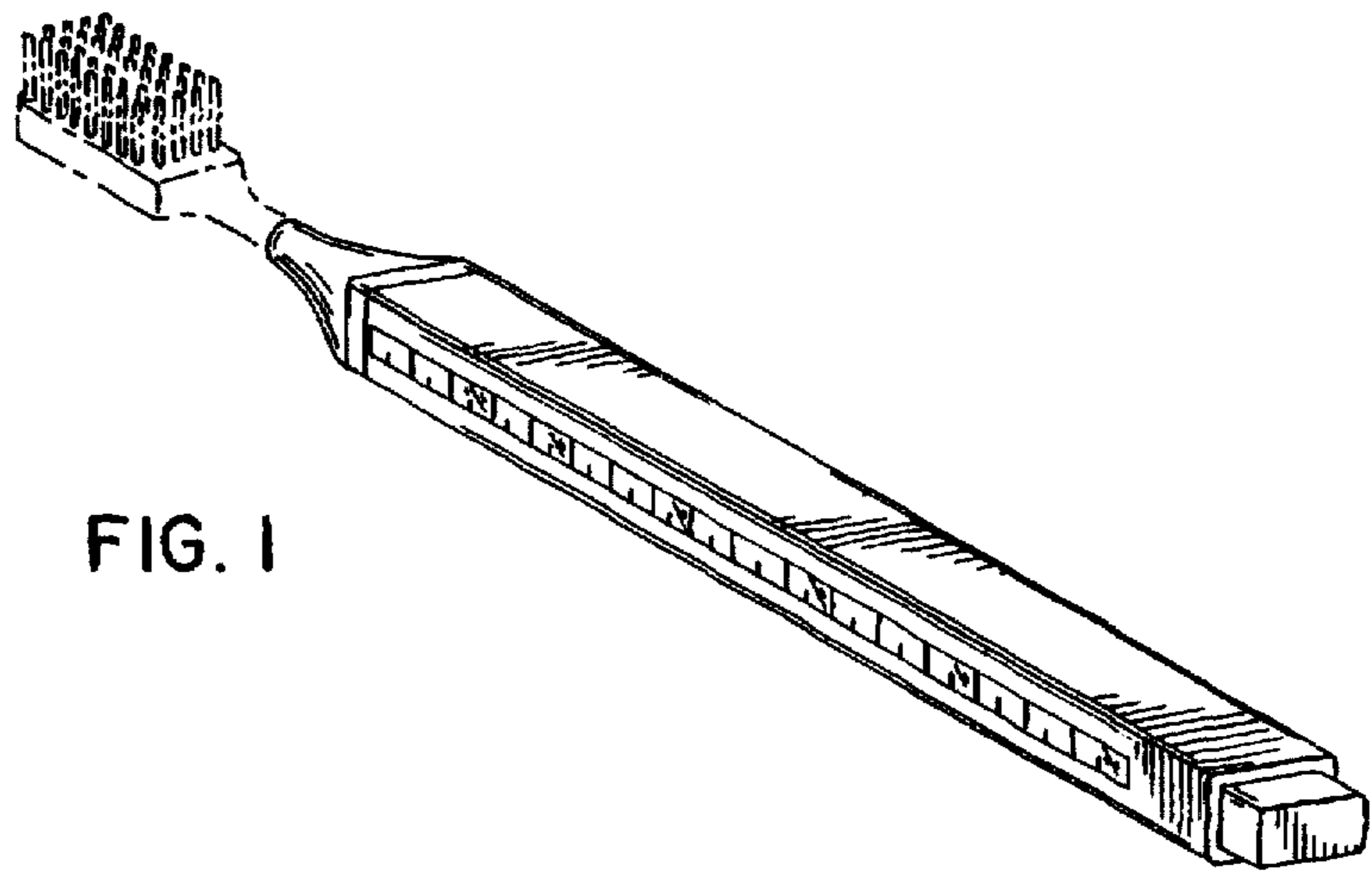


FIG. 1

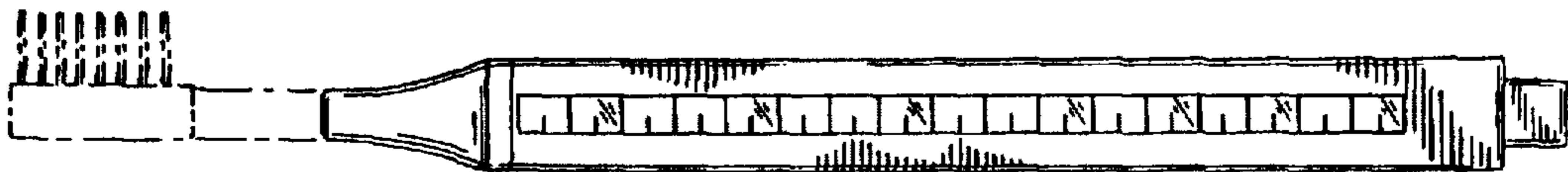


FIG. 2

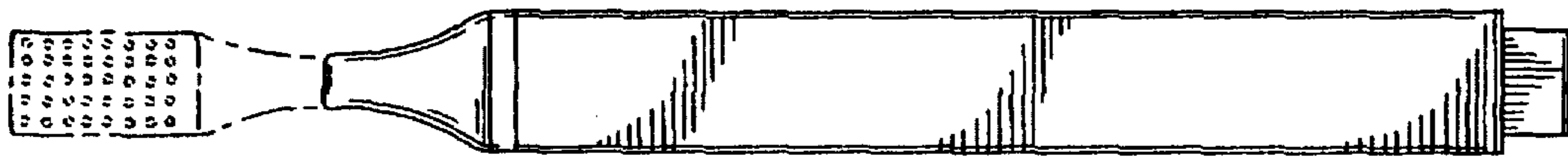


FIG. 3

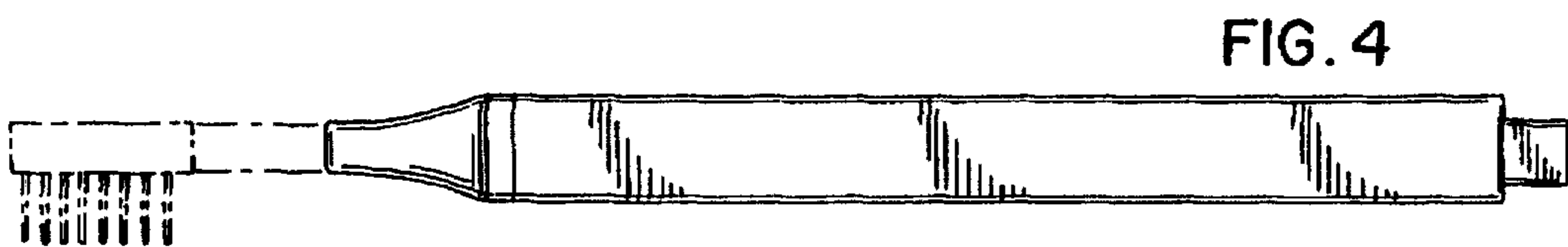


FIG. 4

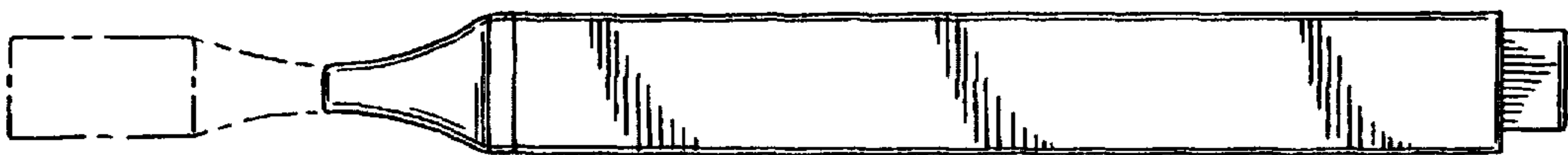


FIG. 5



FIG. 6

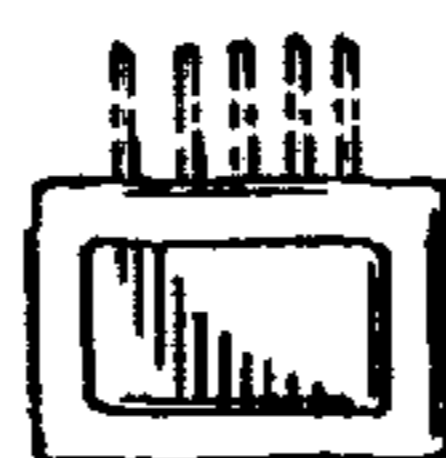


FIG. 7