

US00D389309S

United States Patent [19]

Shaw

[11] Patent Number: **Des. 389,309**

[45] Date of Patent: ****Jan. 20, 1998**

[54] **TOOL BOX**

[76] Inventor: **Donald Shaw**, 170 Commander Blvd., Agincourt, Ontario, M1S 3C8, Canada

[**] Term: **14 Years**

[21] Appl. No.: **61,409**

[22] Filed: **Oct. 23, 1996**

[51] LOC (6) Cl. **03-01**

[52] U.S. Cl. **D3/294; D3/276; D3/905; D3/281**

[58] Field of Search D3/294, 276, 905, D3/281; D9/424, 425, 423; 220/326, 378, 308, 355, 356, 324; 206/349, 372, 373

[56] **References Cited**

U.S. PATENT DOCUMENTS

D. 306,096	2/1990	Dickinson et al.	D3/905
D. 319,016	8/1991	Kahl	D9/424
D. 326,815	6/1992	Meisner et al.	D9/424
D. 327,292	6/1992	Klodt	D3/281
D. 328,425	8/1992	Brightbill	D9/424
D. 328,818	8/1992	Hanna et al.	D3/281

D. 328,819	8/1992	Hanna et al.	D3/281
D. 329,747	9/1992	Embree	D3/272
D. 330,162	10/1992	Verchere	D4/424
D. 361,511	8/1995	Dickinson et al.	D9/425
D. 367,958	3/1996	Tisbo et al.	D3/273

Primary Examiner—Philip S. Hyder
Attorney, Agent, or Firm—Paul Sharpe; McFadden, Fincham

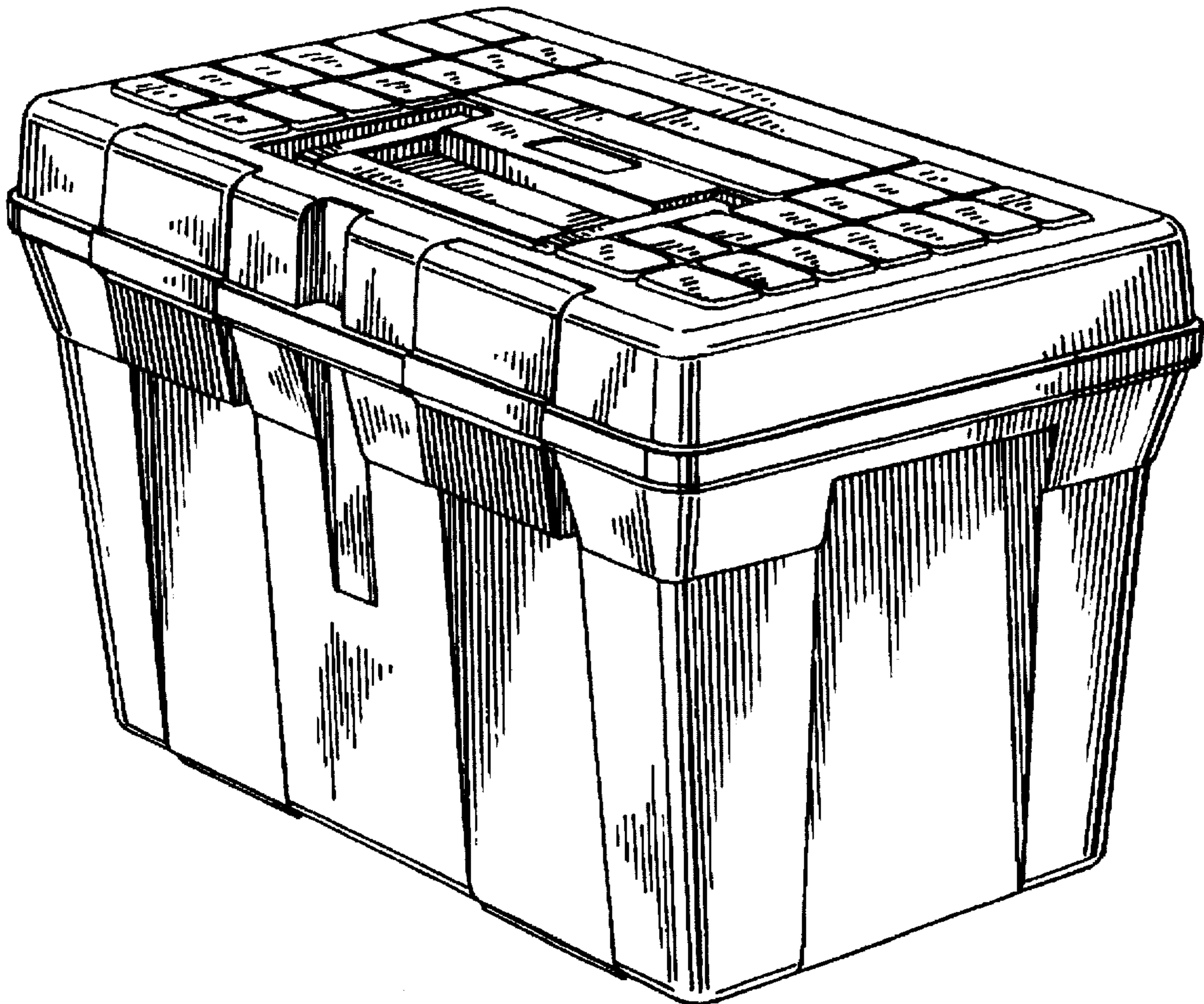
[57] CLAIM

The ornamental design for a tool box, as shown and described.

DESCRIPTION

FIG. 1 is a perspective view of the new design in a closed position;
FIG. 2 is a front elevational view of the design;
FIG. 3 is a rear elevational view of the design;
FIG. 4 is a top plan view of the design;
FIG. 5 is a bottom plan view of the design;
FIG. 6 is a side view of the design; and,
FIG. 7 is a perspective view of the design in the open position.

1 Claim, 4 Drawing Sheets



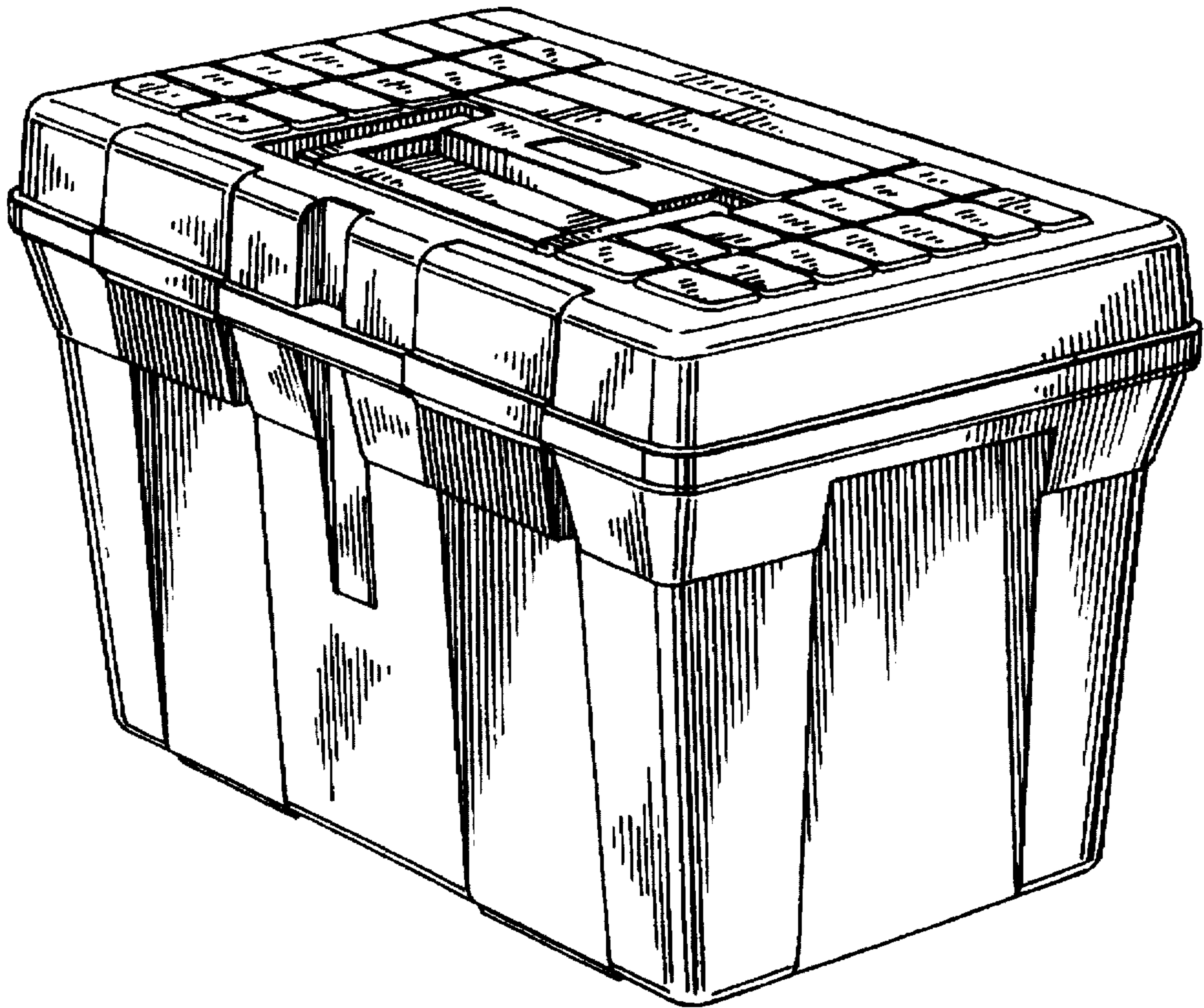


FIG. 1

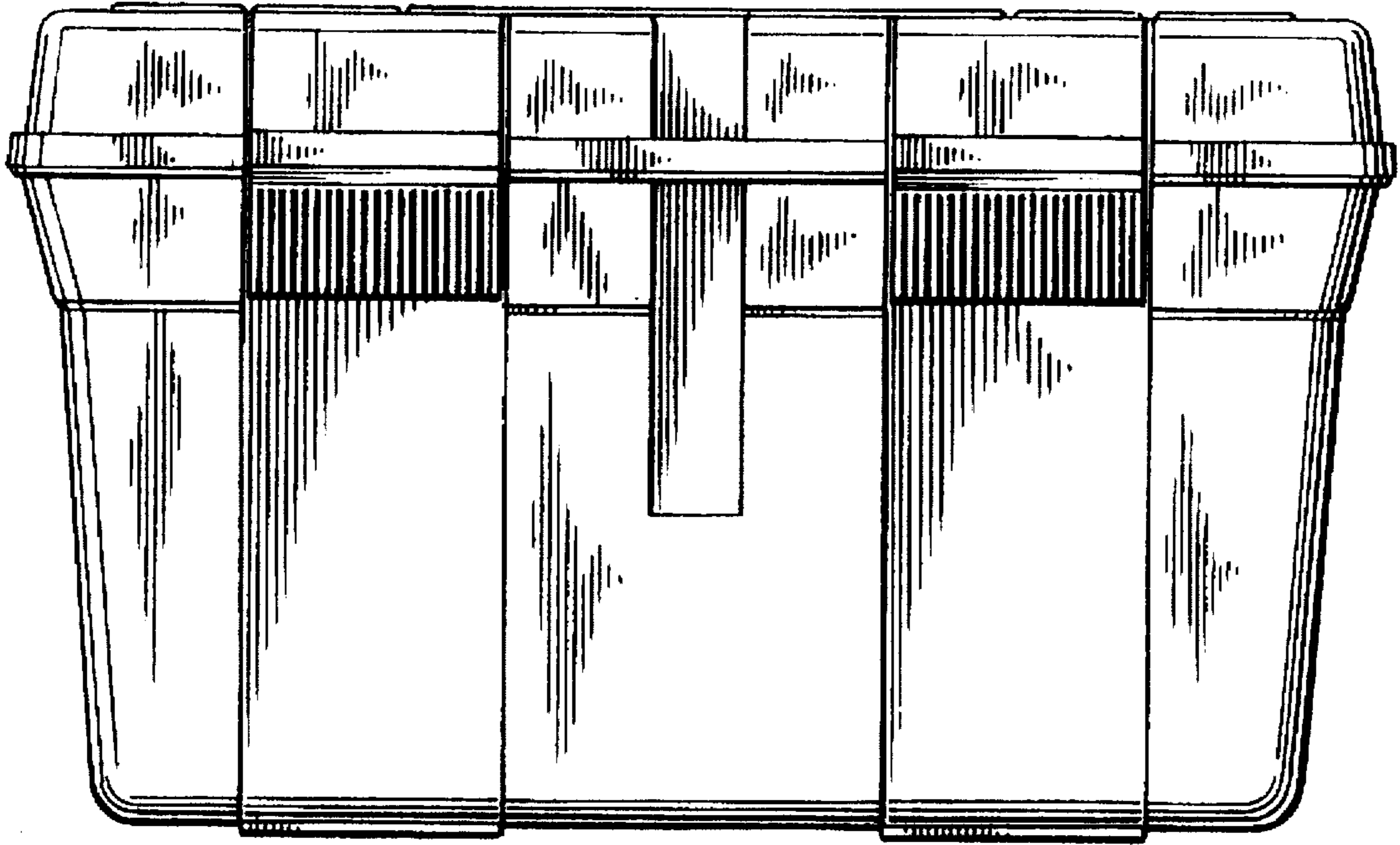


FIG. 2

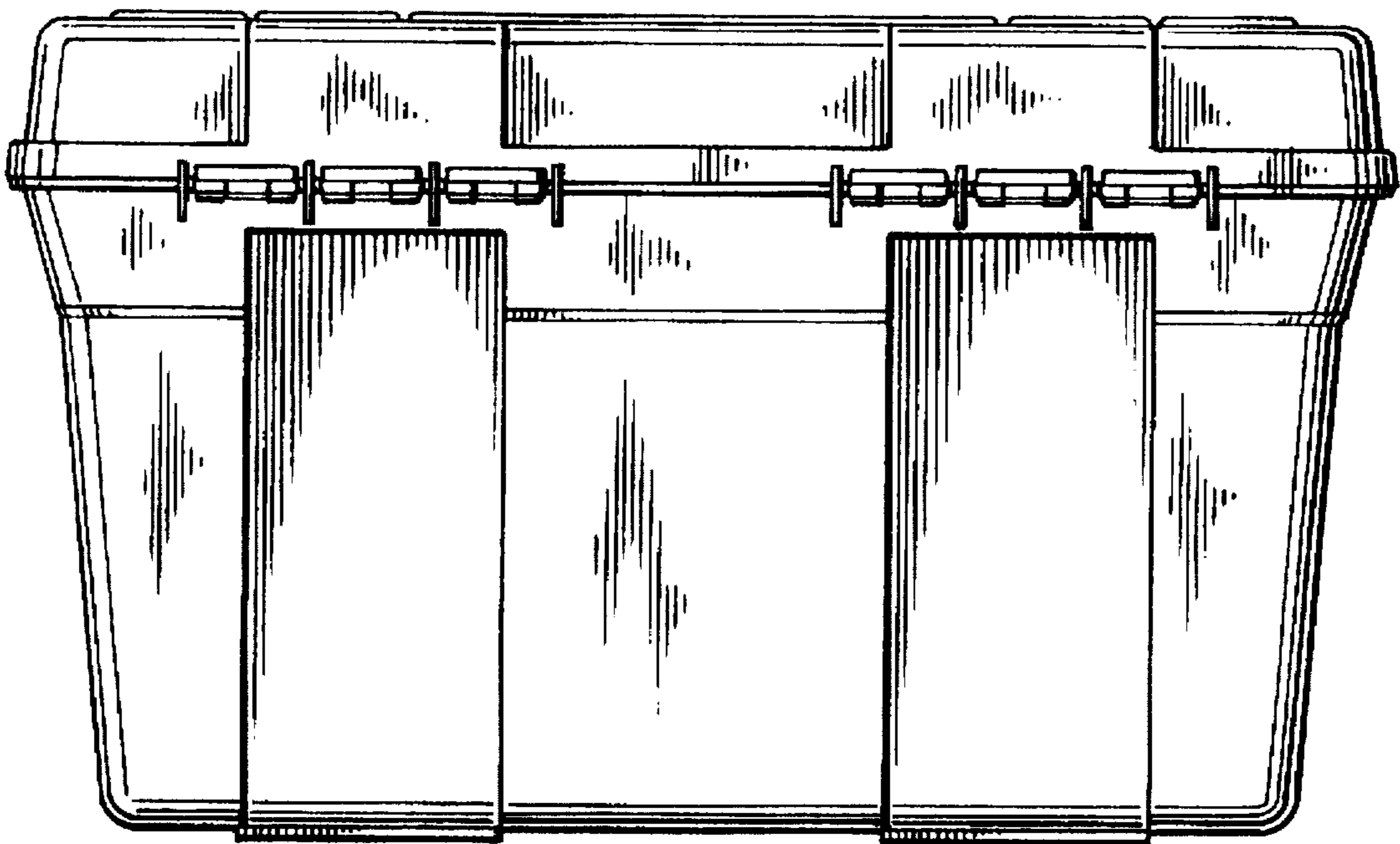


FIG. 3

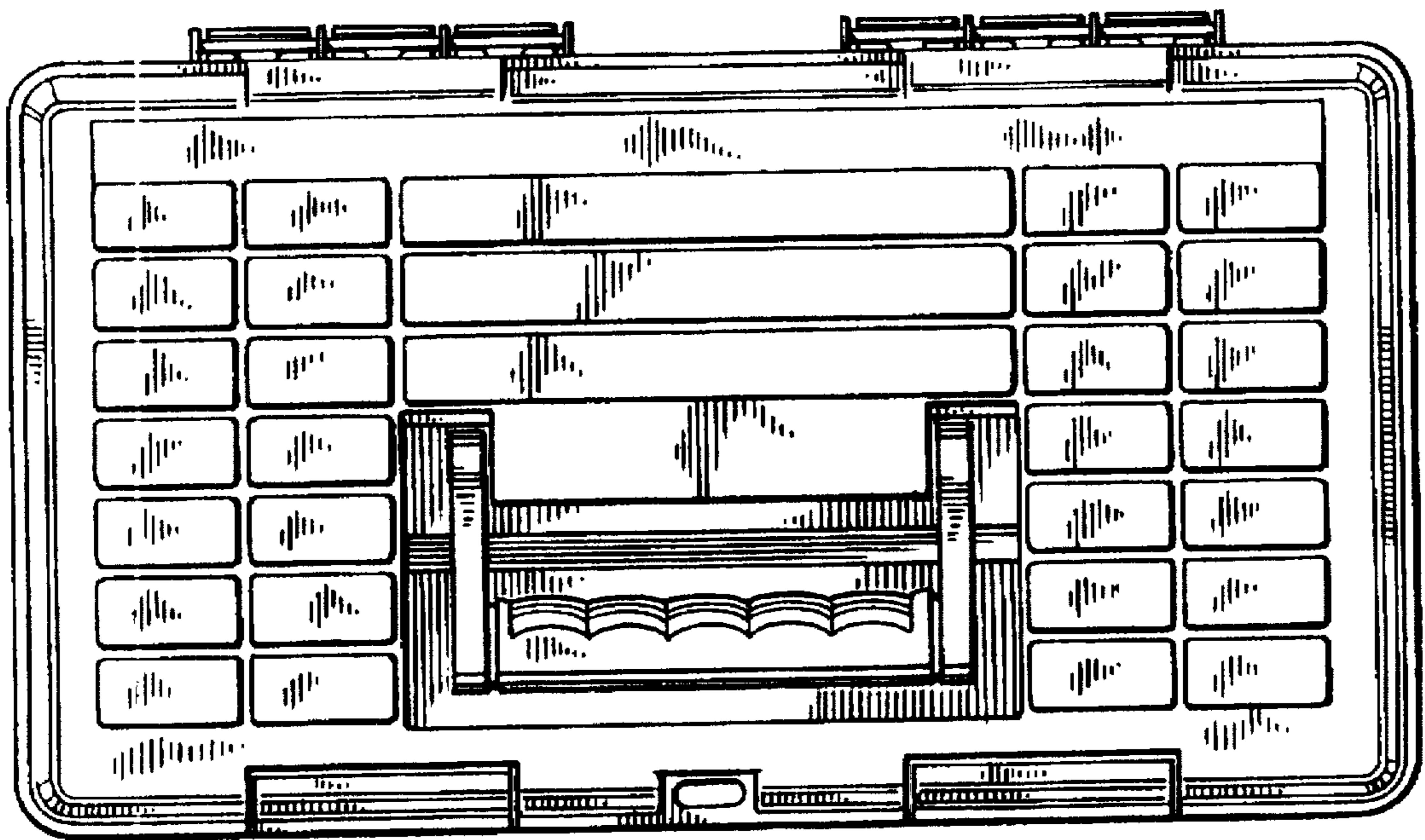


FIG. 4

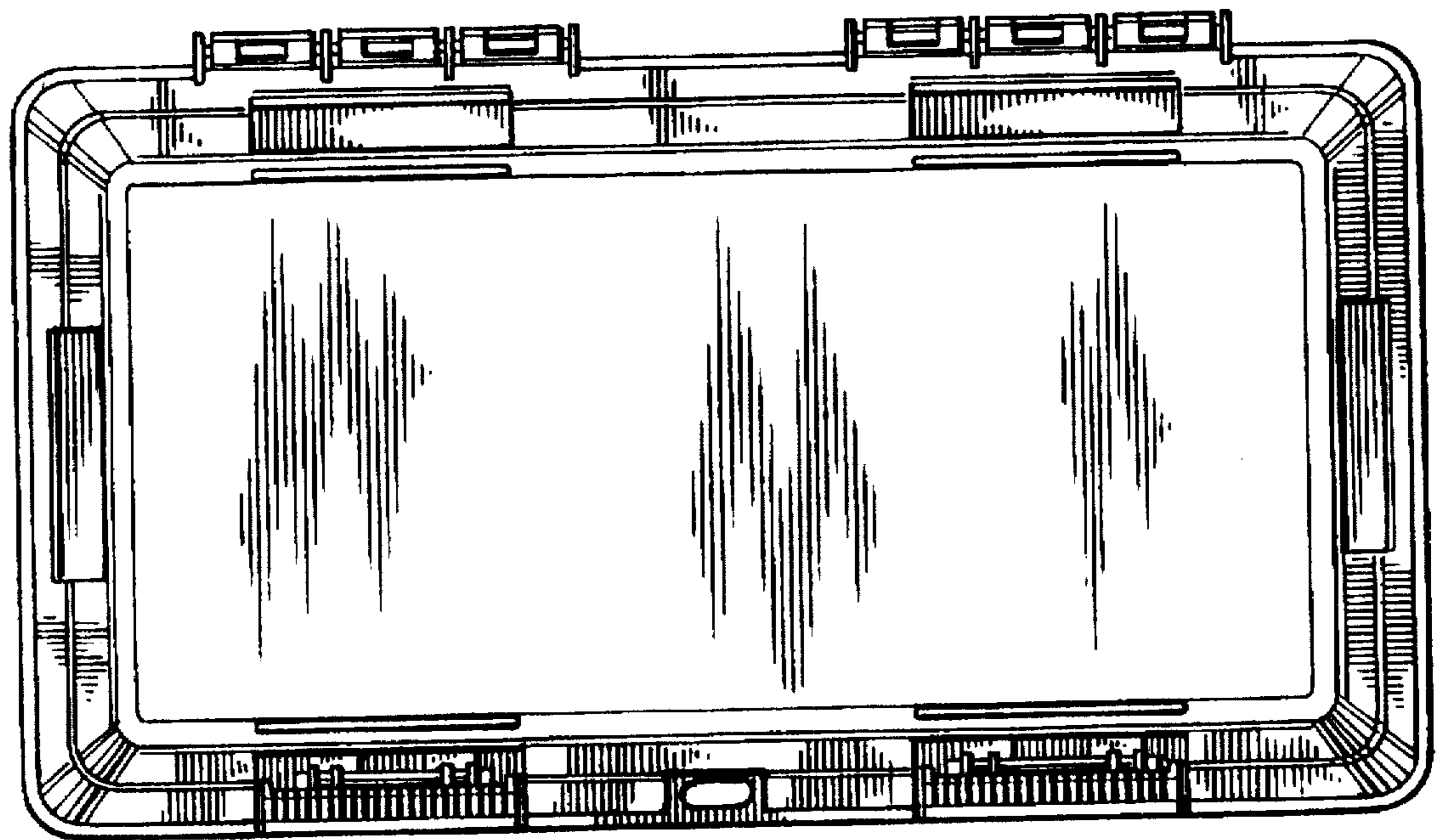


FIG. 5

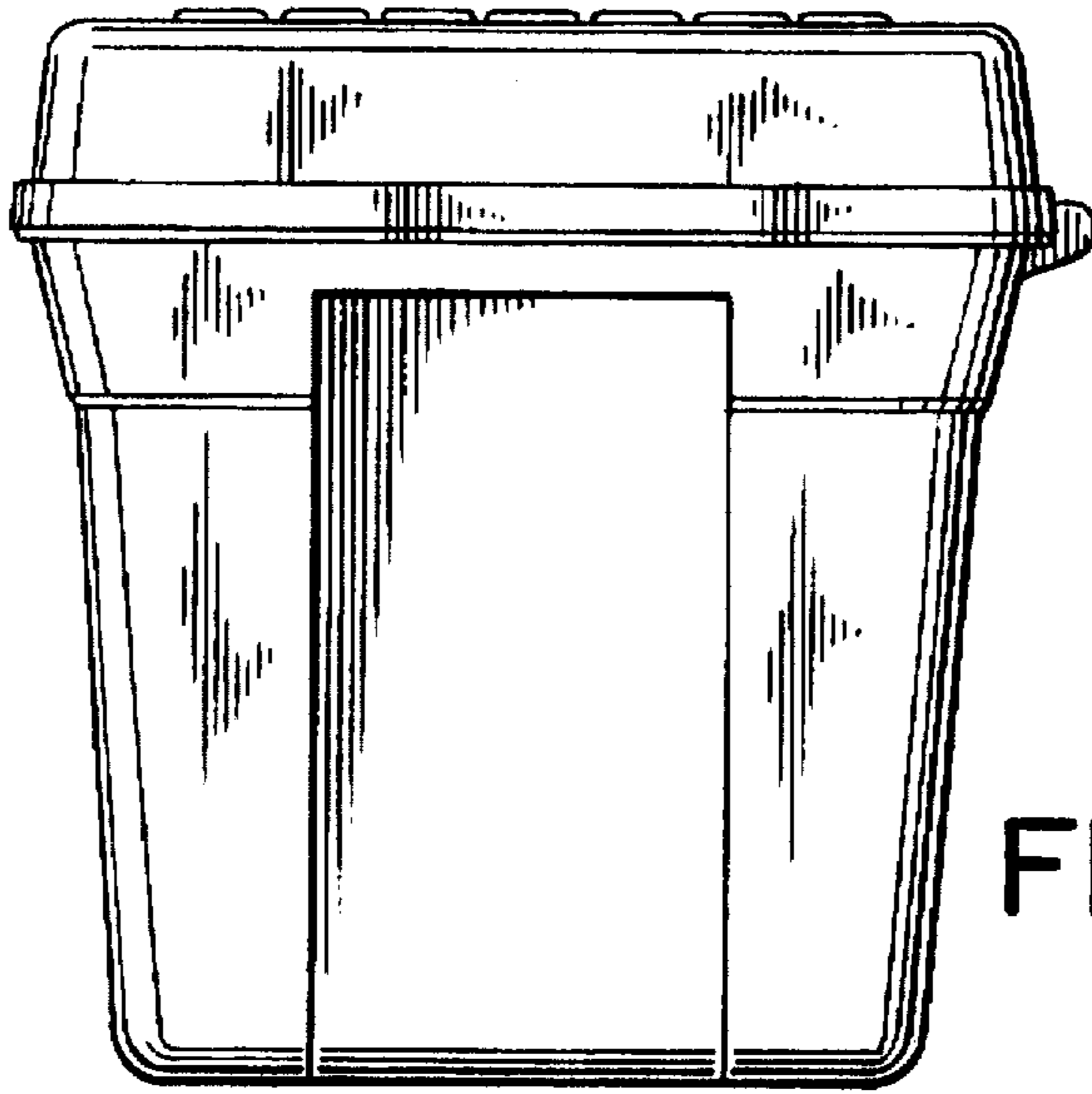


FIG. 6

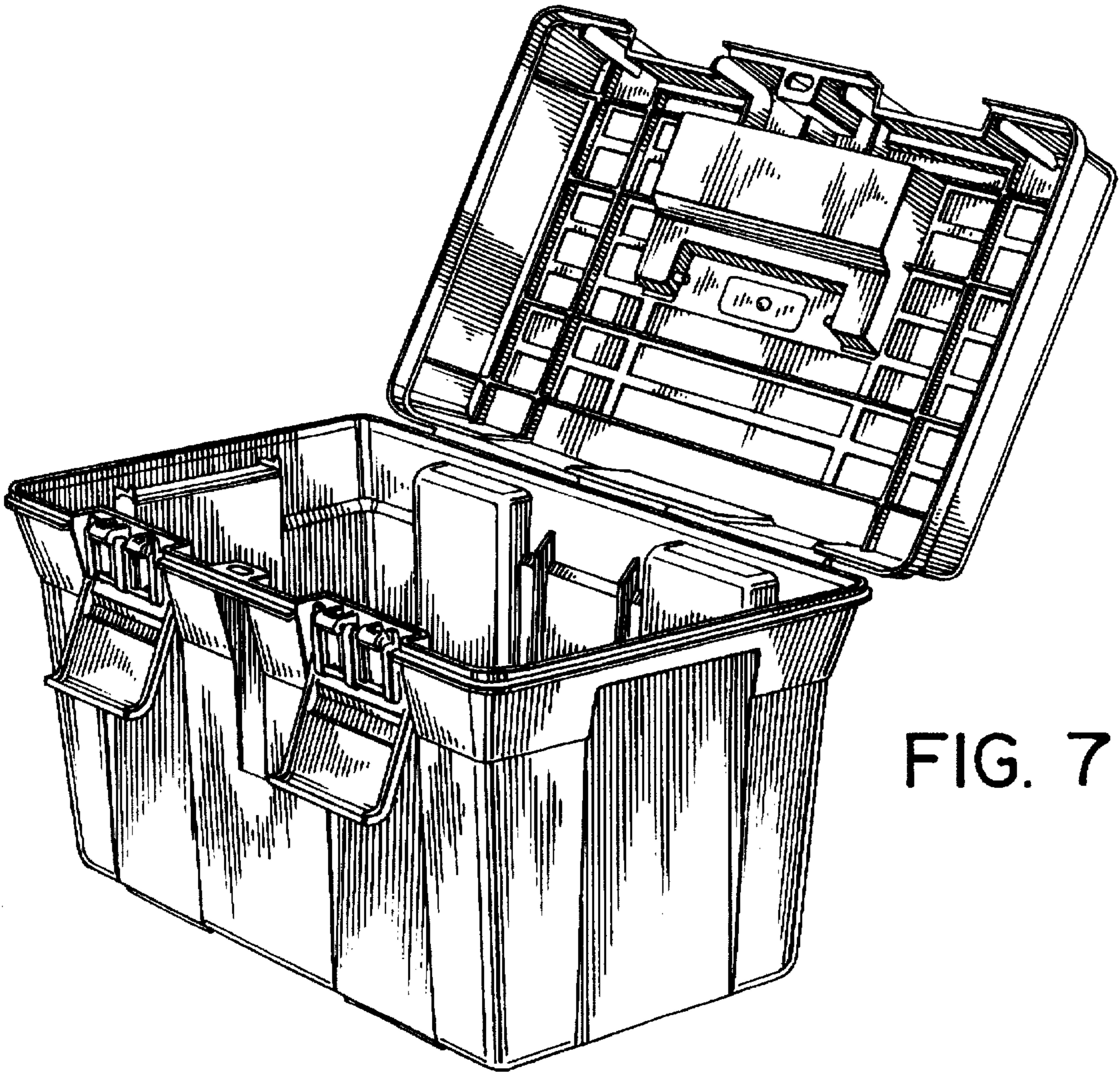


FIG. 7