



US00D389305S

**United States Patent** [19]  
**Hauschild**

[11] **Patent Number: Des. 389,305**  
[45] **Date of Patent: \*\*Jan. 20, 1998**

[54] **FLY FISHING CASE**

[76] **Inventor: Alan D. Hauschild**, 28908 W. Fox Trail, Lake Villa, Ill. 60046

[\*\*] **Term: 14 Years**

[21] **Appl. No.: 47,077**

[22] **Filed: Nov. 20, 1995**

[51] **LOC (6) Cl. .... 03-01**

[52] **U.S. Cl. .... D3/260; D3/905**

[58] **Field of Search .... D3/260, 259, 273, D3/900, 902, 904, 905; 224/920; 43/25.2, 26, 54.1, 57.1; 206/315.11**

[56] **References Cited**

**U.S. PATENT DOCUMENTS**

3,122,225	2/1964	Ward	.....	D3/902 X
4,541,539	9/1985	Matthews	.....	43/26 X
4,729,474	3/1988	Lanius et al.	.....	43/54.1 X
4,852,293	8/1989	Levine et al.	.....	43/54.1
5,052,555	10/1991	Harmon	.....	43/57.1 X

*Primary Examiner*—Doris V. Coles  
*Assistant Examiner*—Catherine R. Oliver

*Attorney, Agent, or Firm*—Ladas & Parry

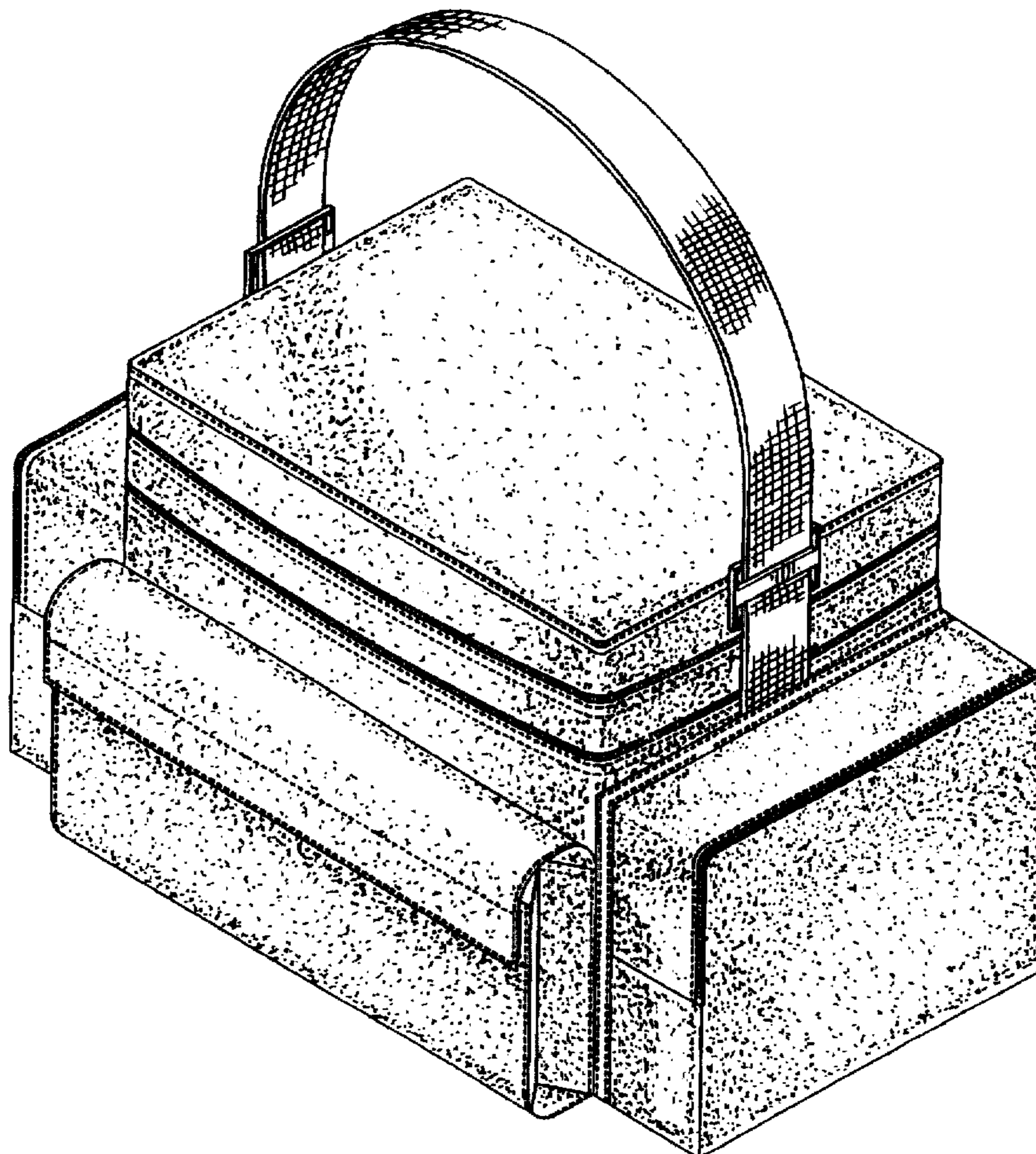
[57] **CLAIM**

The ornamental design for a fly fishing case, as shown and described.

**DESCRIPTION**

FIG. 1 is a top, front and right side exploded perspective view of a fly fishing case showing my new design; FIG. 2 is a top, front and right perspective view thereof; FIG. 3 is a front elevational view thereof; FIG. 4 is a right side elevational view thereof; FIG. 5 is a left side elevational view thereof; FIG. 6 is a top plan view thereof; FIG. 7 is a bottom plan view thereof; FIG. 8 is a rear elevational view thereof; FIG. 9 is a perspective view of the front of one of the inserts shown in FIG. 1; FIG. 10 is a perspective view of the rear of the insert of FIG. 9; FIG. 11 is a perspective view of the front of another of the inserts shown in FIG. 1; and, FIG. 12 is a perspective view of the rear of the insert of FIG. 11.

**1 Claim, 4 Drawing Sheets**



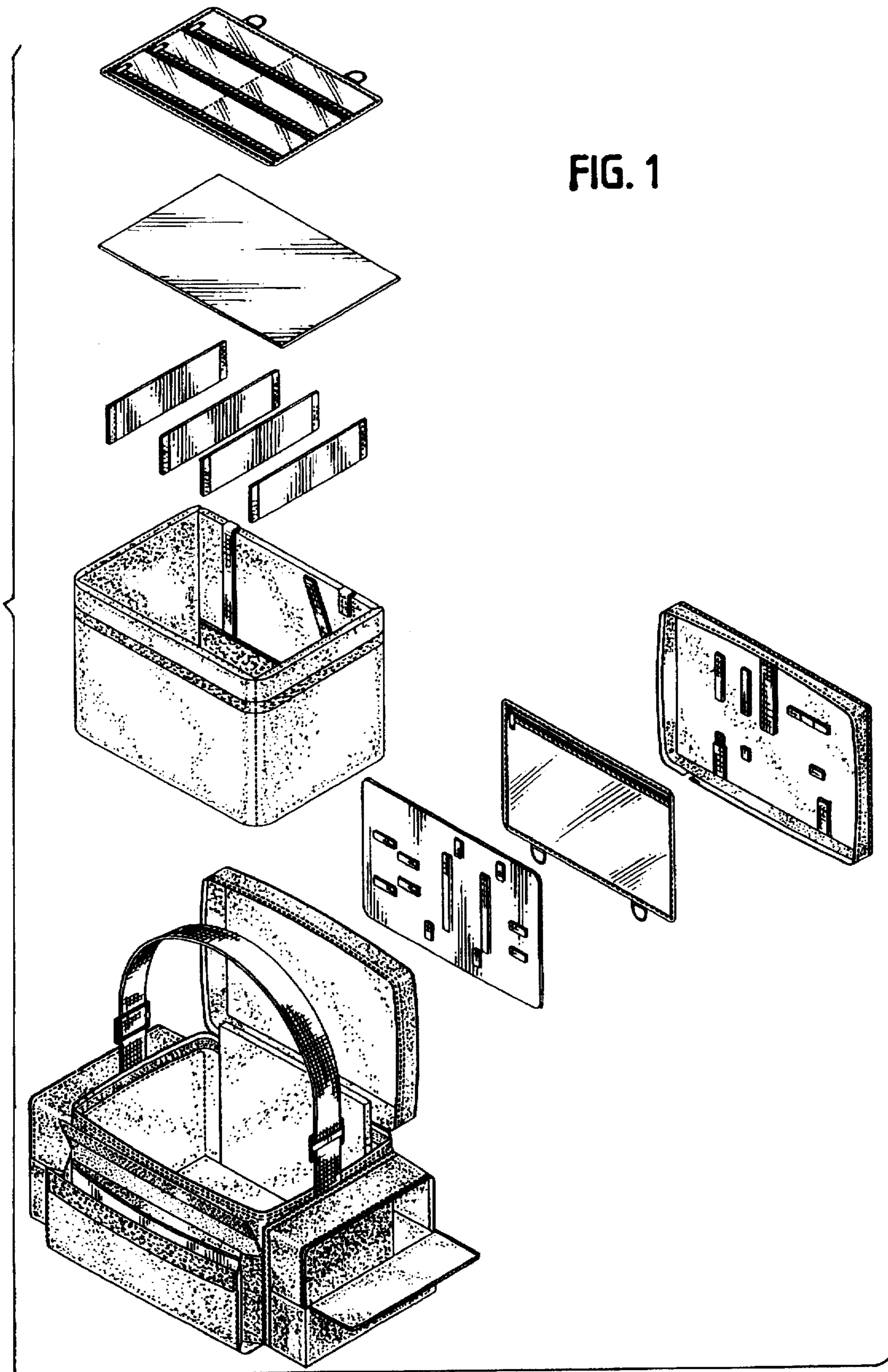


FIG. 1

FIG. 2

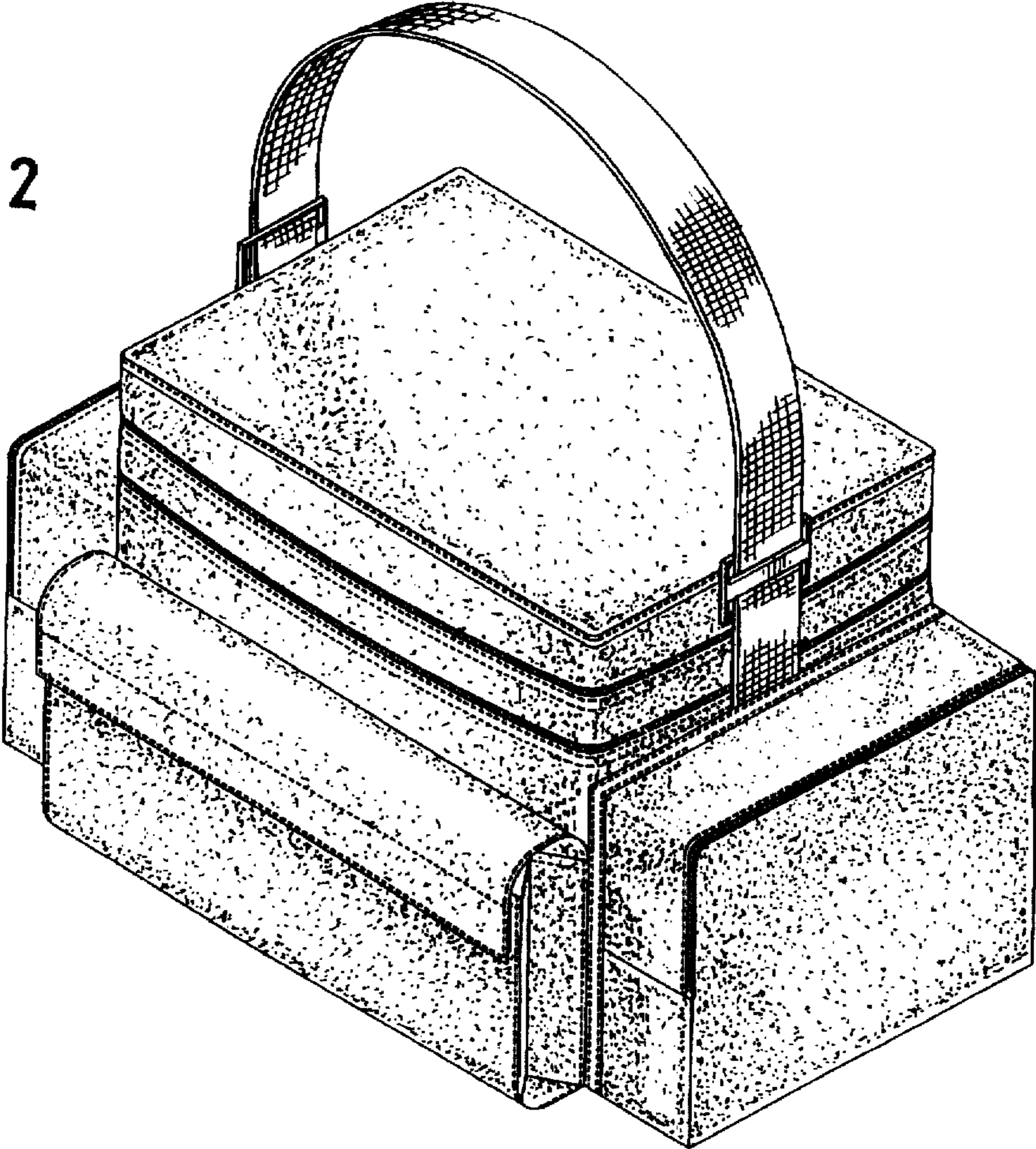


FIG. 3

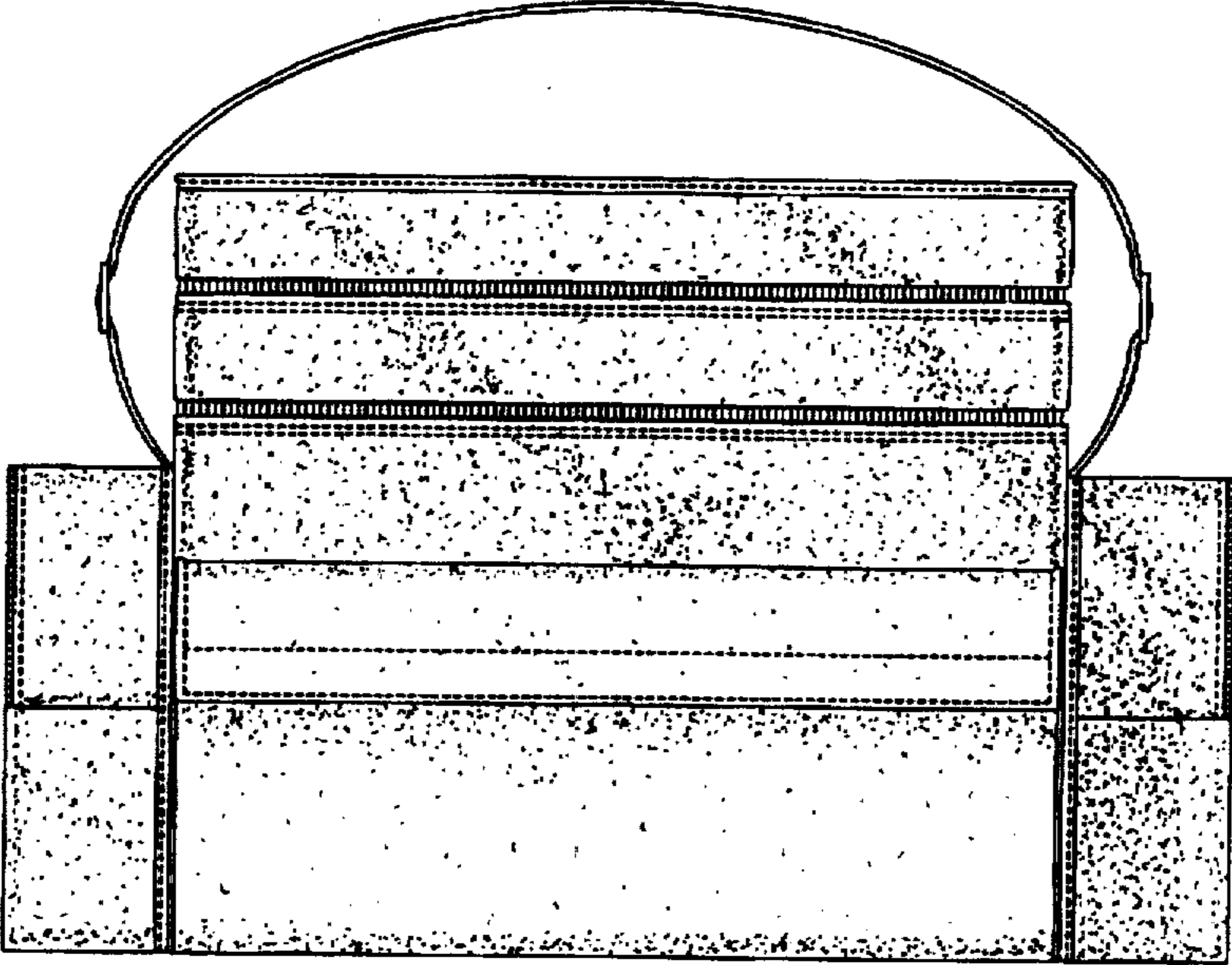


FIG. 4

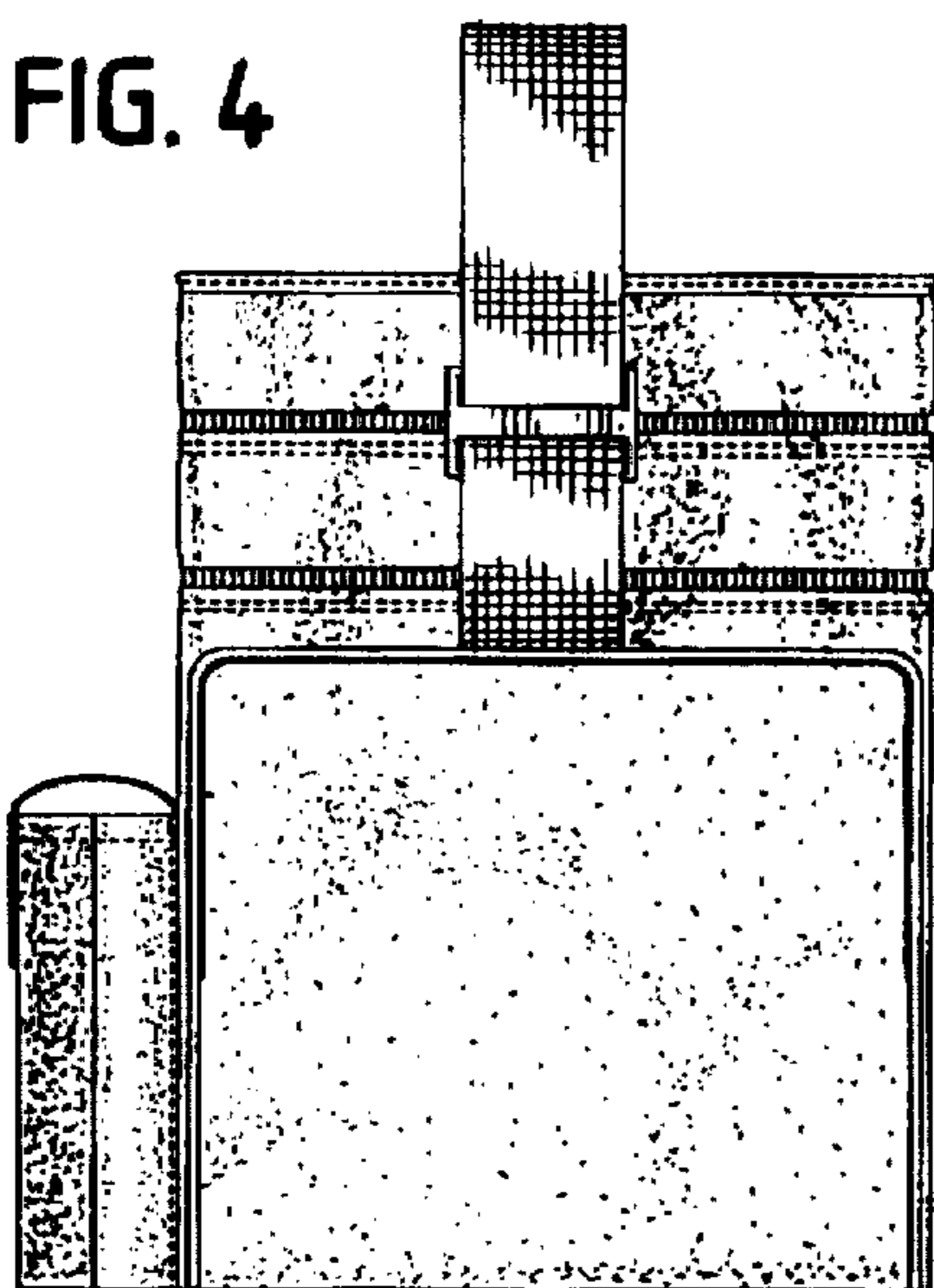


FIG. 5

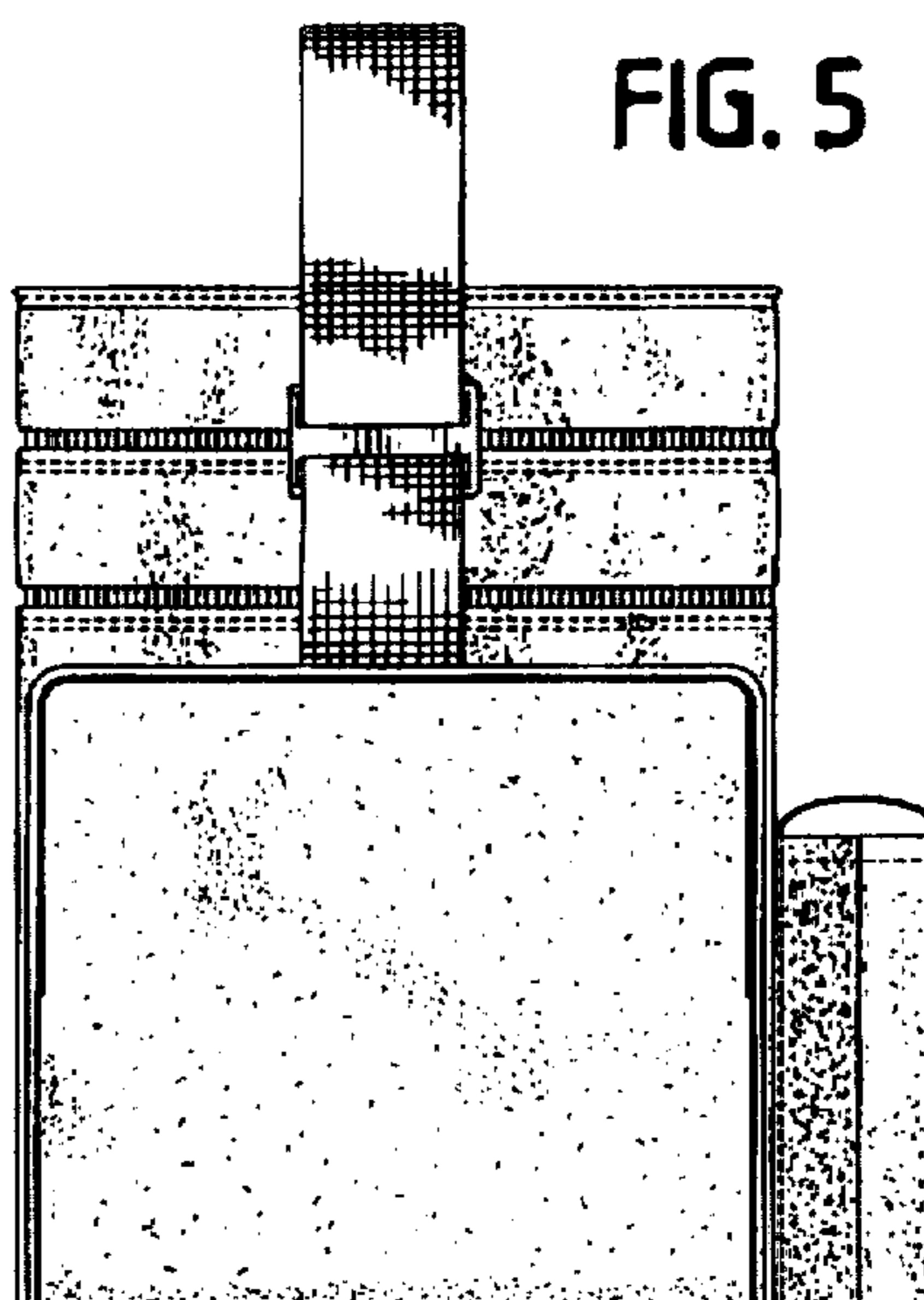


FIG. 6

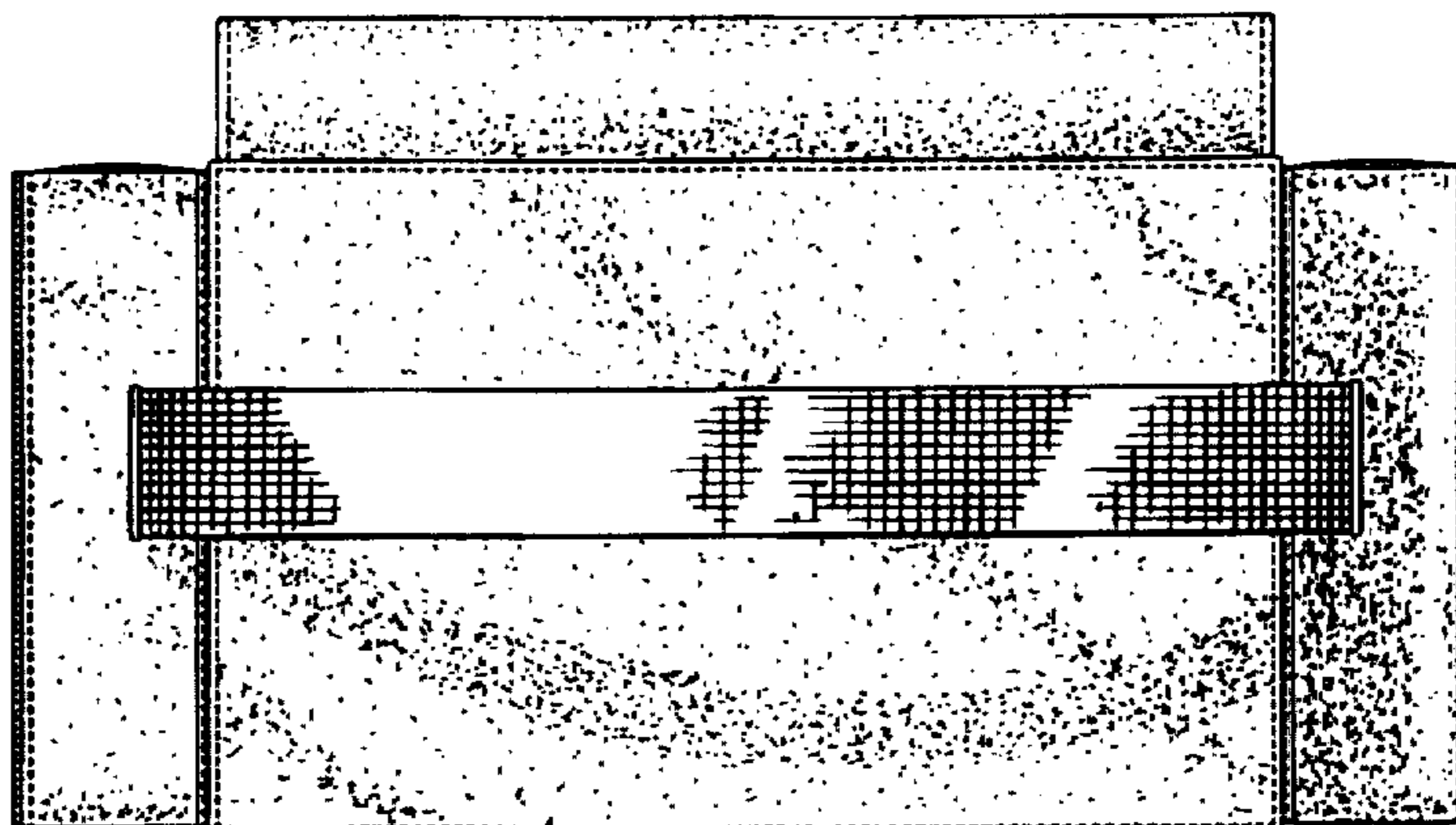


FIG. 7

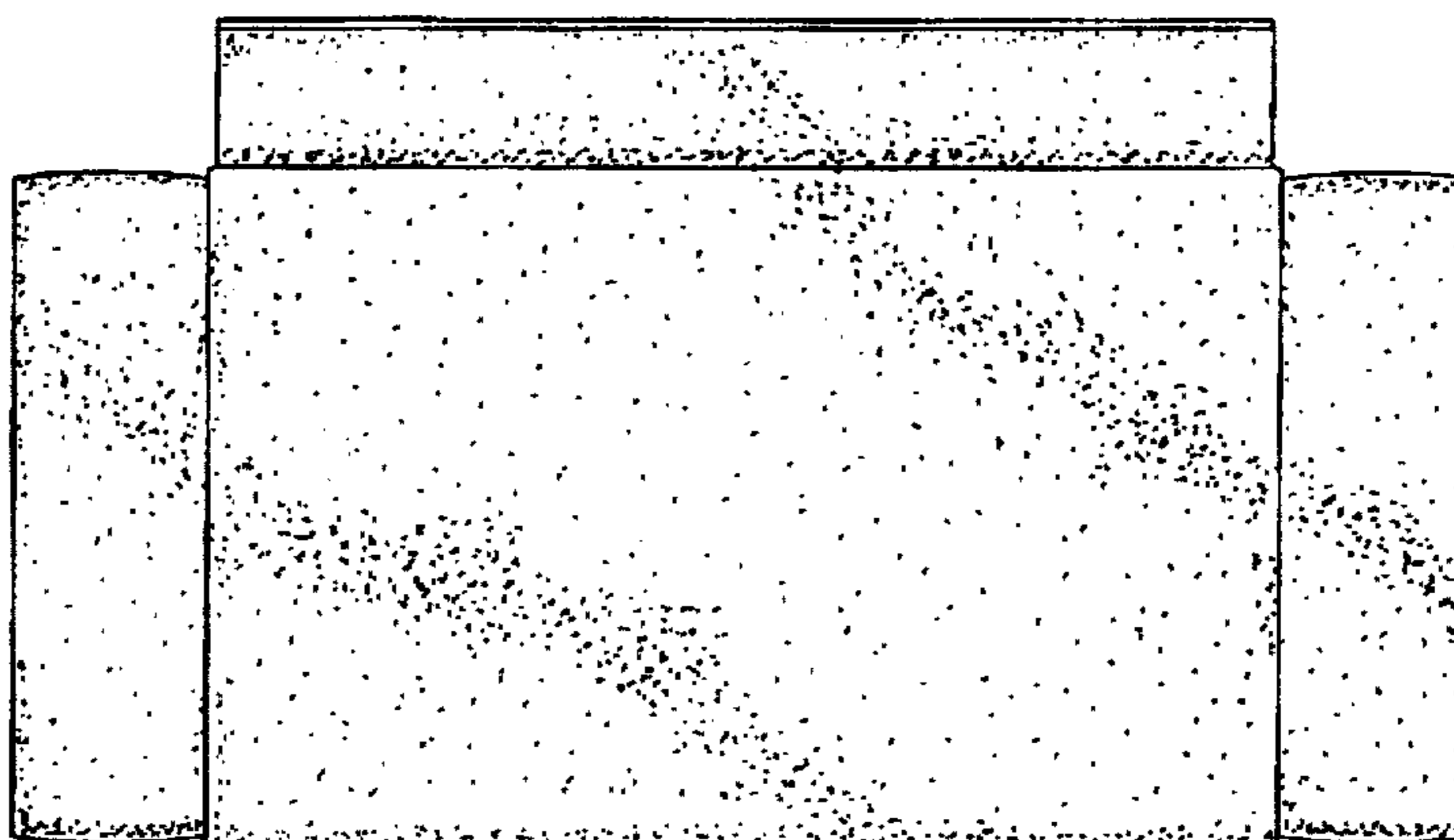


FIG. 8

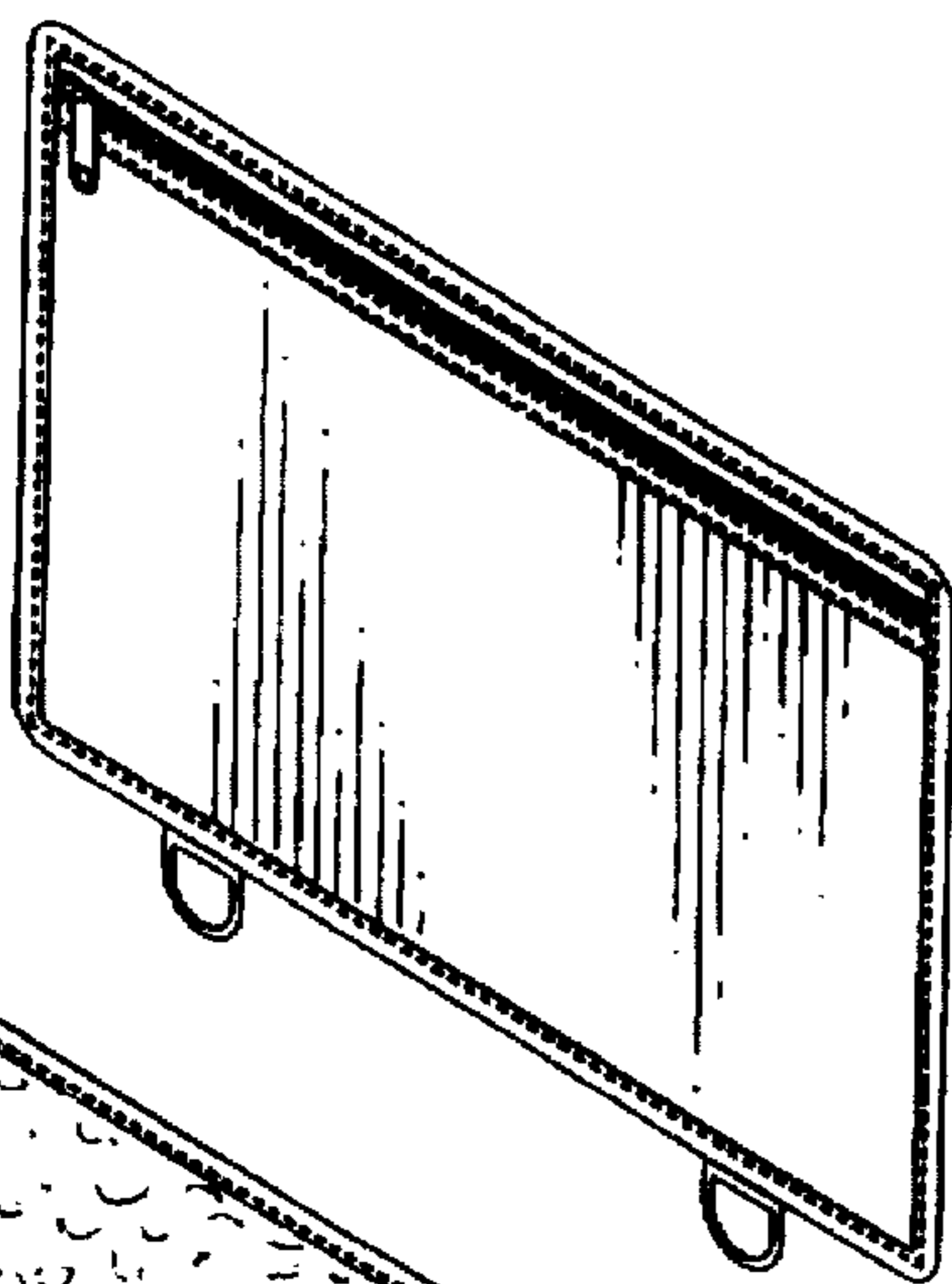
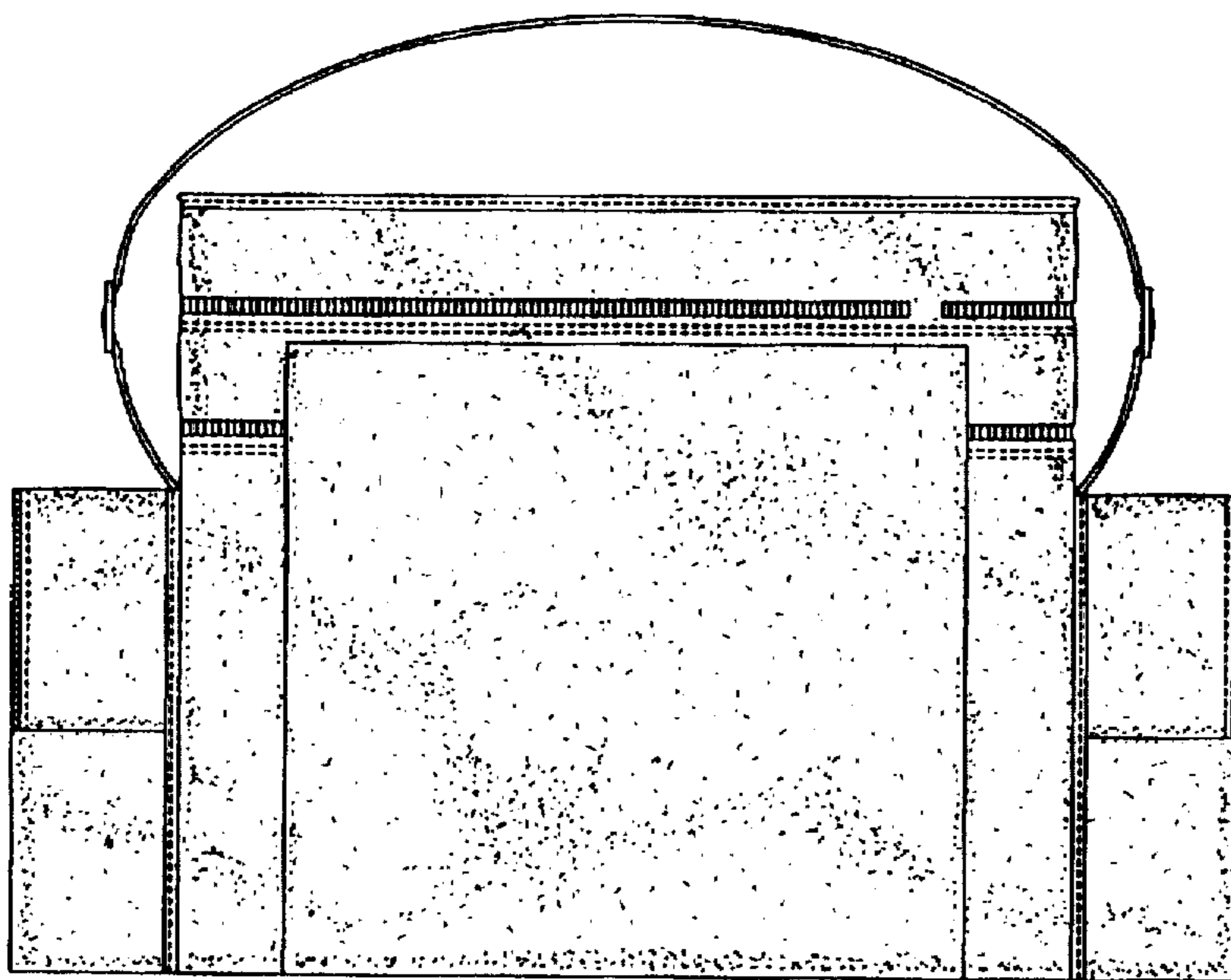


FIG. 9

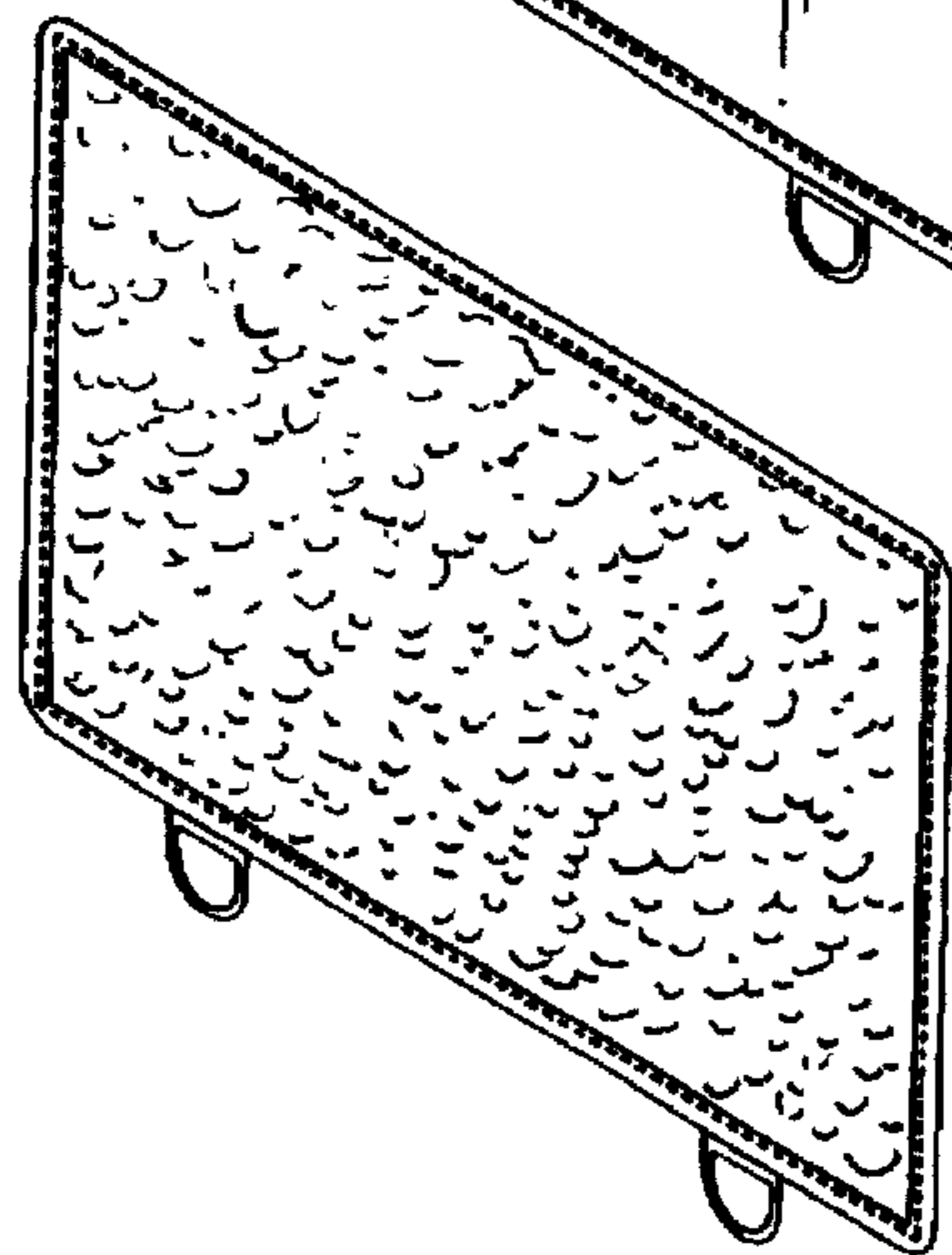


FIG. 10

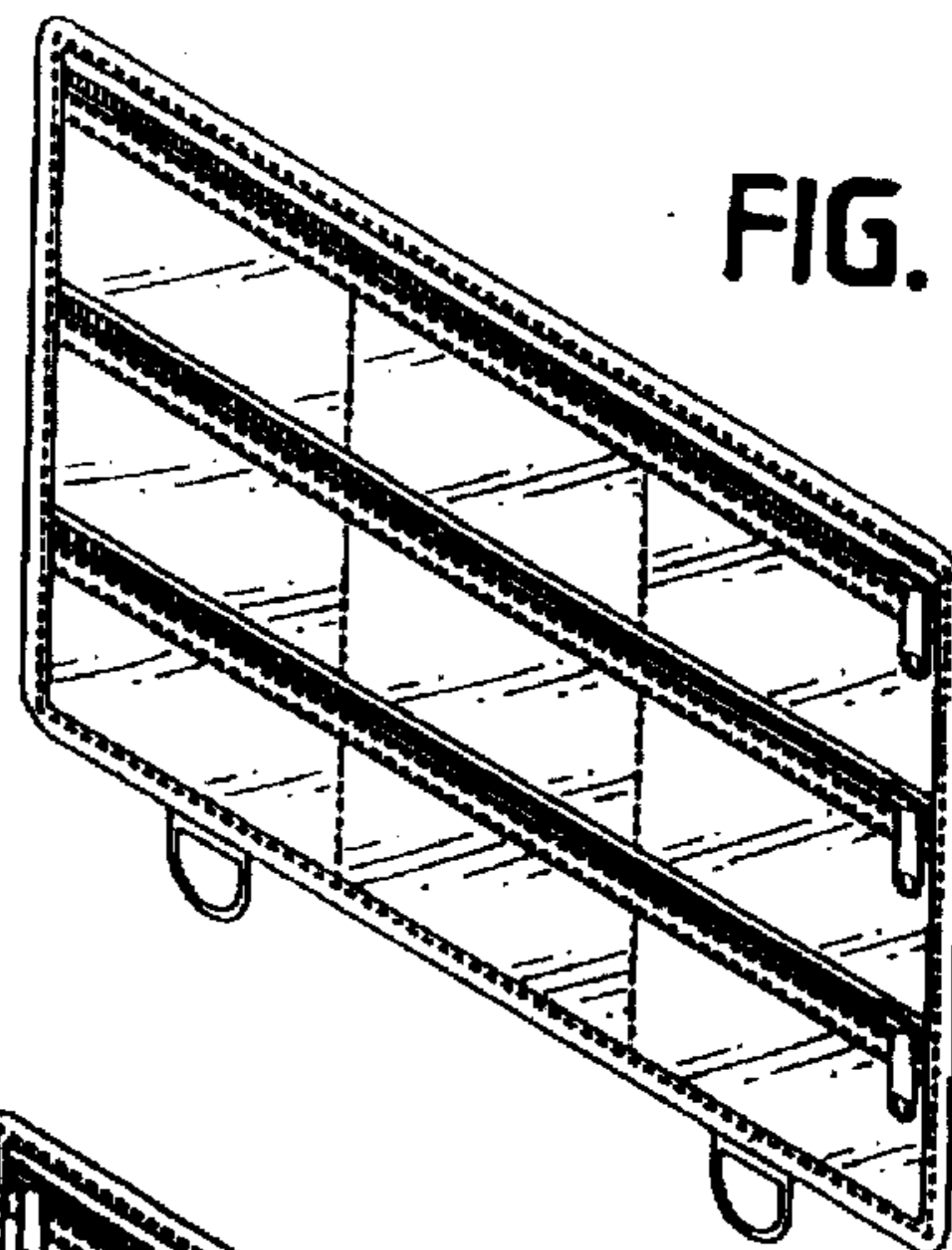


FIG. 11

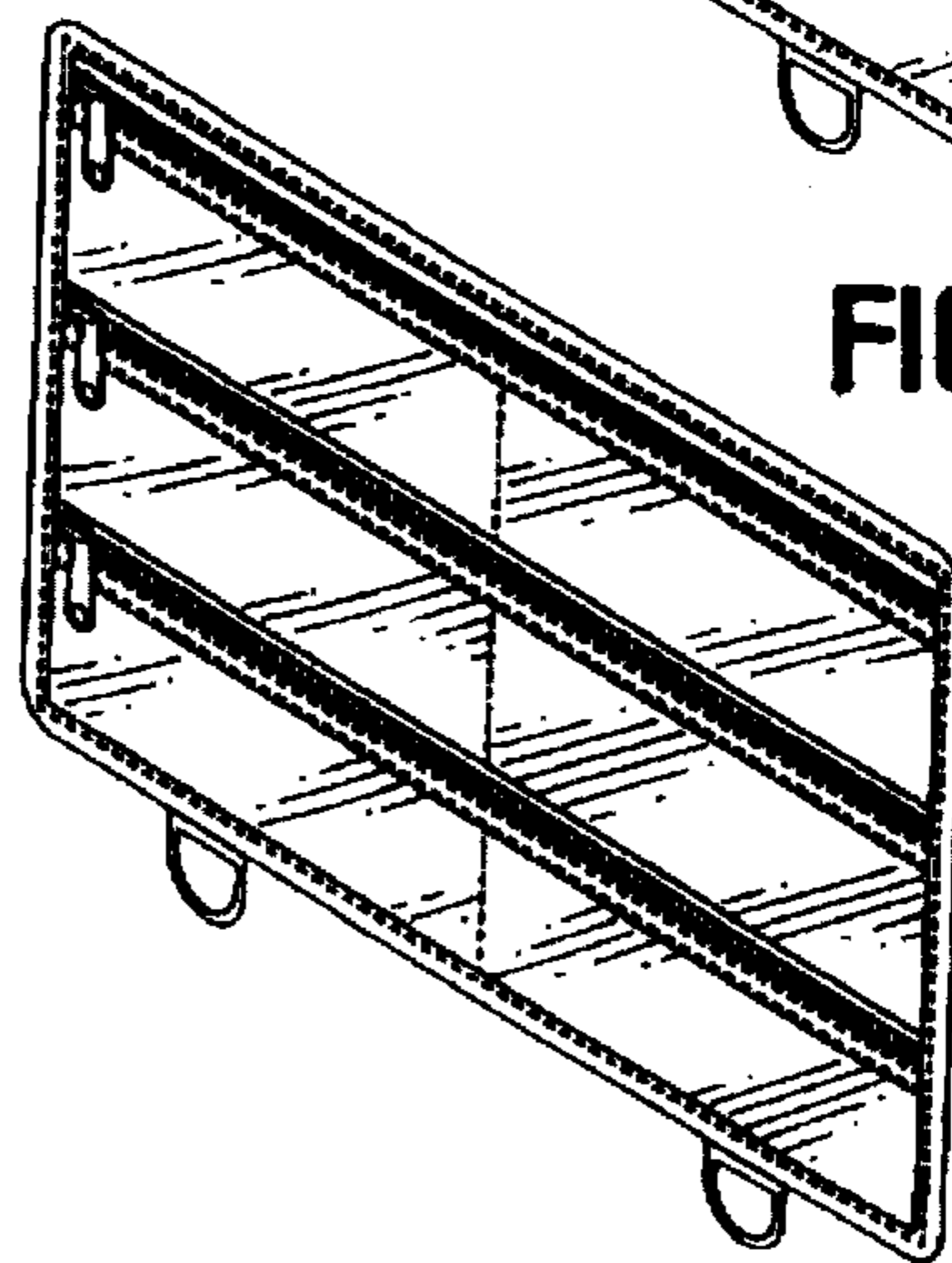


FIG. 12